



US00D470691S

(12) **United States Design Patent**  
**Chen**

(10) **Patent No.:** **US D470,691 S**

(45) **Date of Patent:** **\*\* Feb. 25, 2003**

(54) **CHAIR BASE**

(76) **Inventor:** **Yung-hua Chen**, No. 176, Changrung Rd., Changshing Tsuen, Luju Shiang, Taoyuan (TW)

(\*\*) **Term:** **14 Years**

(21) **Appl. No.:** **29/155,197**

(22) **Filed:** **Feb. 7, 2002**

(51) **LOC (7) Cl.** ..... **06-06**

(52) **U.S. Cl.** ..... **D6/498**

(58) **Field of Search** ..... D6/334, 364, 365, D6/366, 367, 498, 500, 501, 502; 248/188, 188.1, 188.7, 188.8, 188.9; 297/411.2

(56) **References Cited**

**U.S. PATENT DOCUMENTS**

D266,722 S	*	11/1982	Stephens	.....	D6/498
D293,517 S	*	1/1988	Bellini	.....	D6/366
D296,624 S	*	7/1988	Bellini	.....	D6/366
D330,809 S	*	11/1992	Citterio	.....	D6/366
D451,293 S	*	12/2001	Su	.....	D6/366
D456,185 S	*	4/2002	Su	.....	D6/498

**OTHER PUBLICATIONS**

ATD—American Catalog, p. 53, Base of chair “C” at center page, ©1992.\*

So Ho Today, p. 14, Base of chair #3 at bottom left, Nov./Dec. 2001.\*

\* cited by examiner

*Primary Examiner*—Gary D. Watson

(74) *Attorney, Agent, or Firm*—Rosenberg, Klein & Lee

(57) **CLAIM**

The ornamental design for a chair base, as shown and described.

**DESCRIPTION**

FIG. 1 is a perspective view of a chair base showing my new design;

FIG. 2 is a front view thereof;

FIG. 3 is a rear view thereof;

FIG. 4 is a right side elevational view thereof;

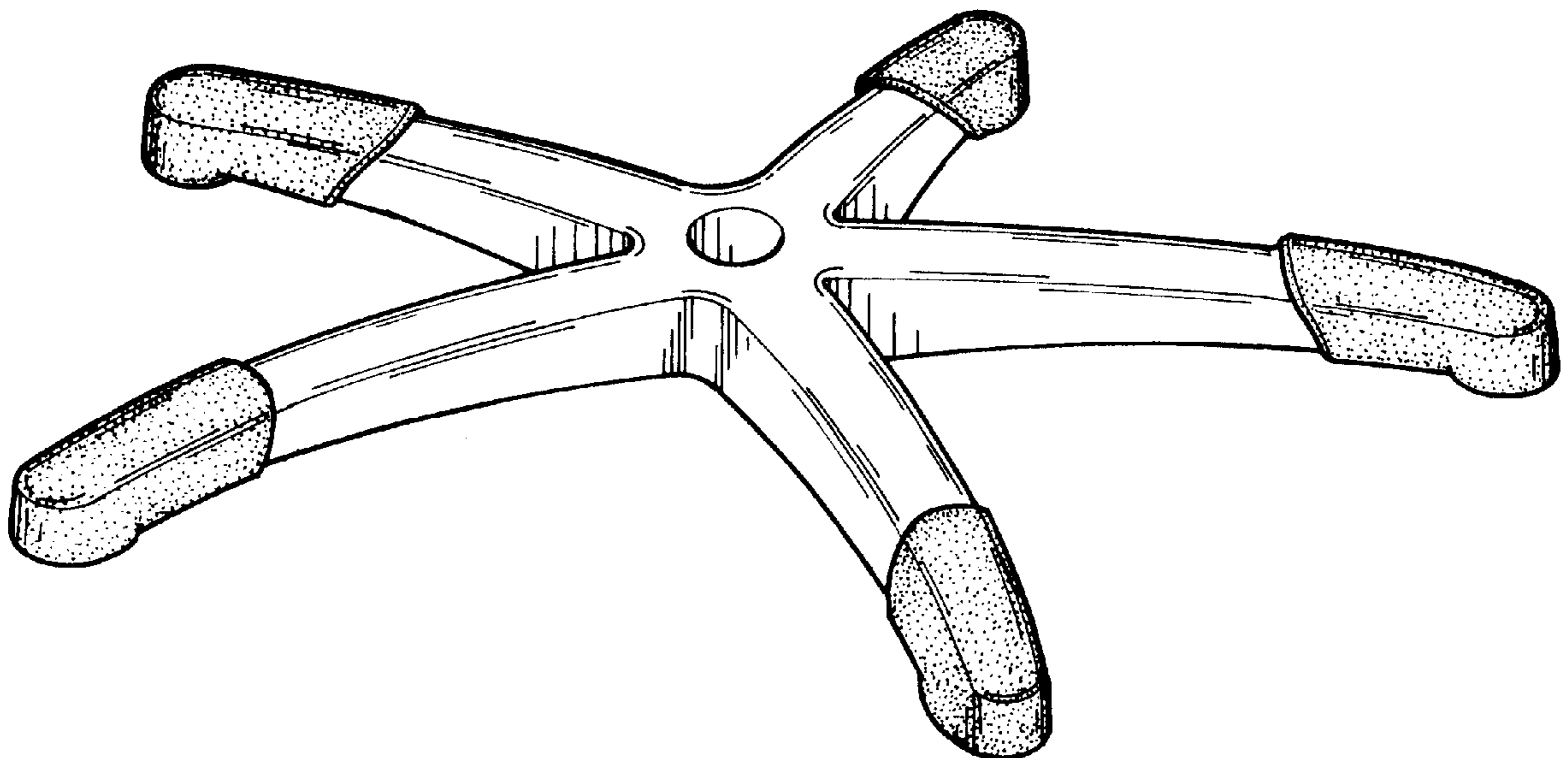
FIG. 5 is a left side elevational view thereof;

FIG. 6 is a top plan view thereof;

FIG. 7 is a bottom plan view thereof; and,

FIG. 8 is an enlarged fragmented cross-sectional view of the leg end taken along line 8—8 of FIG. 6.

**1 Claim, 5 Drawing Sheets**



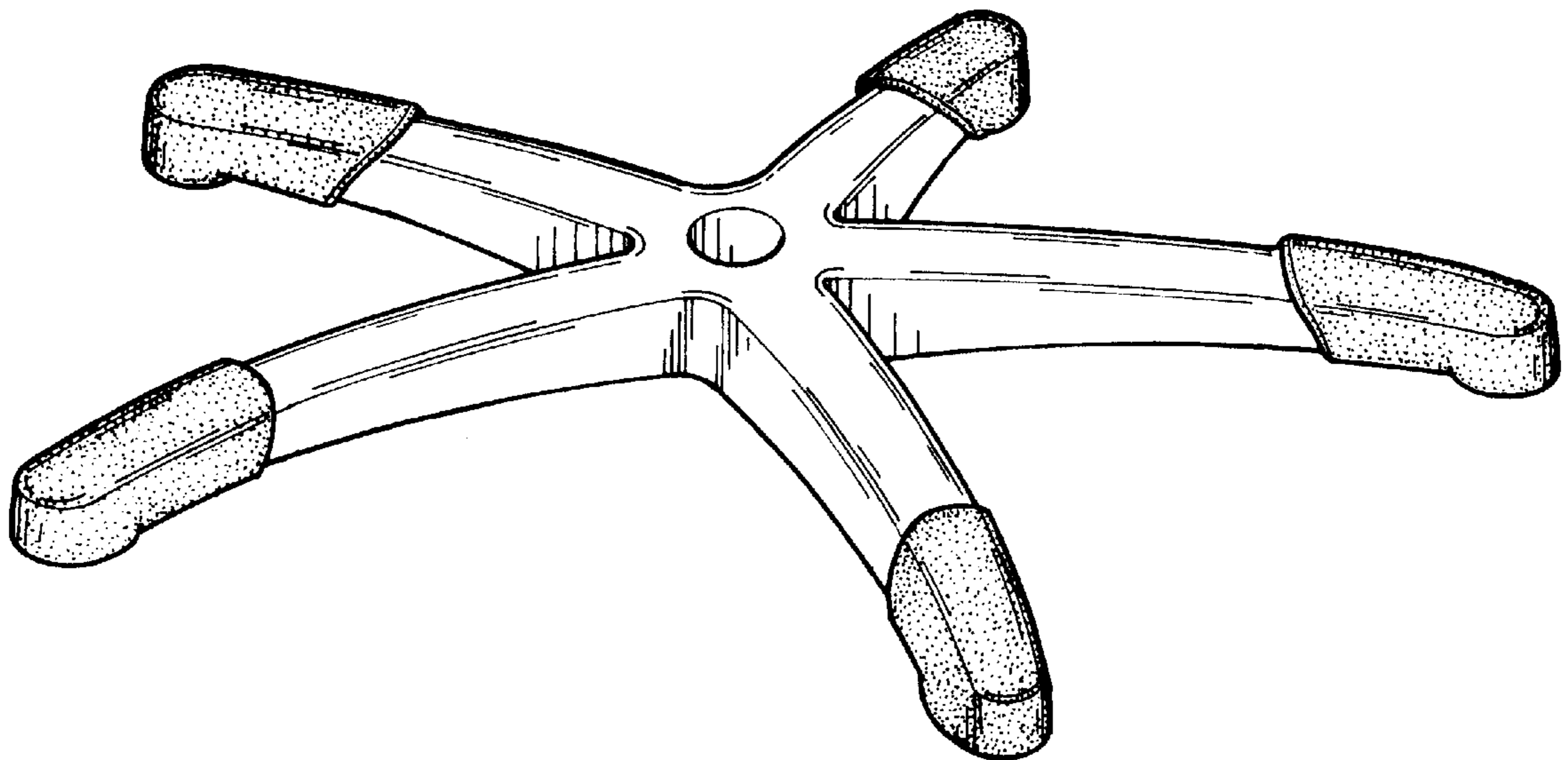


FIG. 1

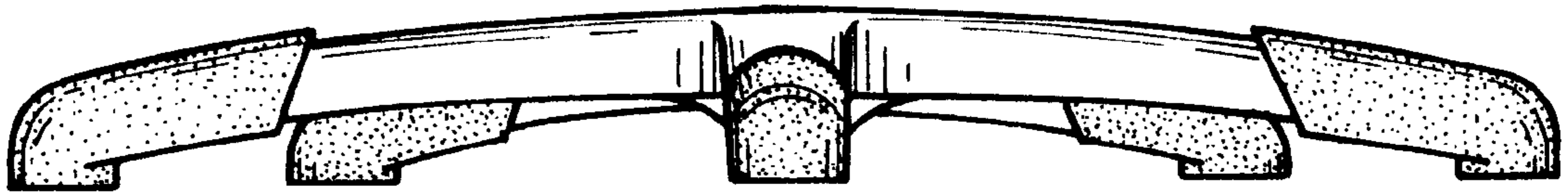


FIG. 2

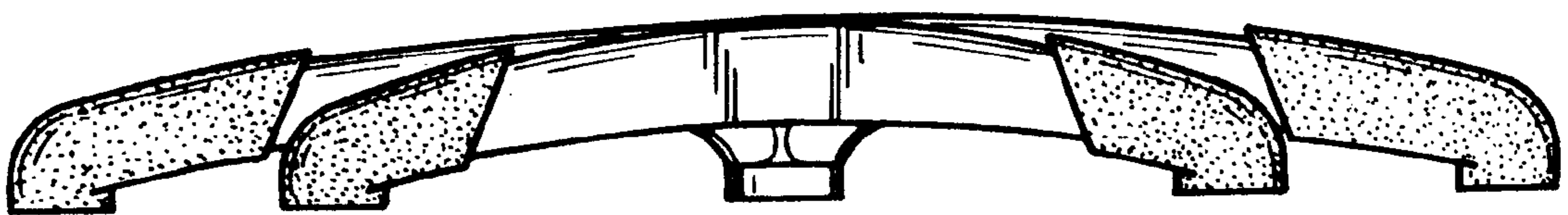


FIG. 3

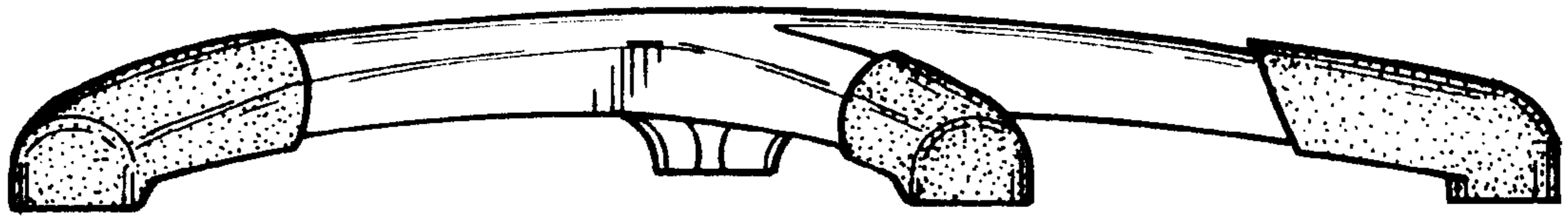


FIG. 4

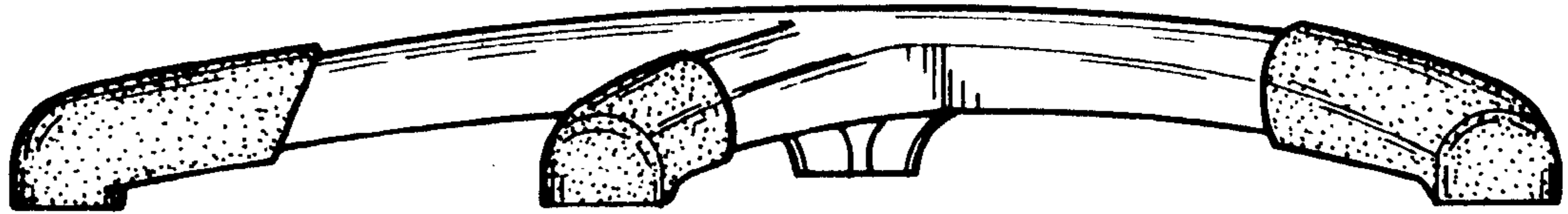


FIG. 5

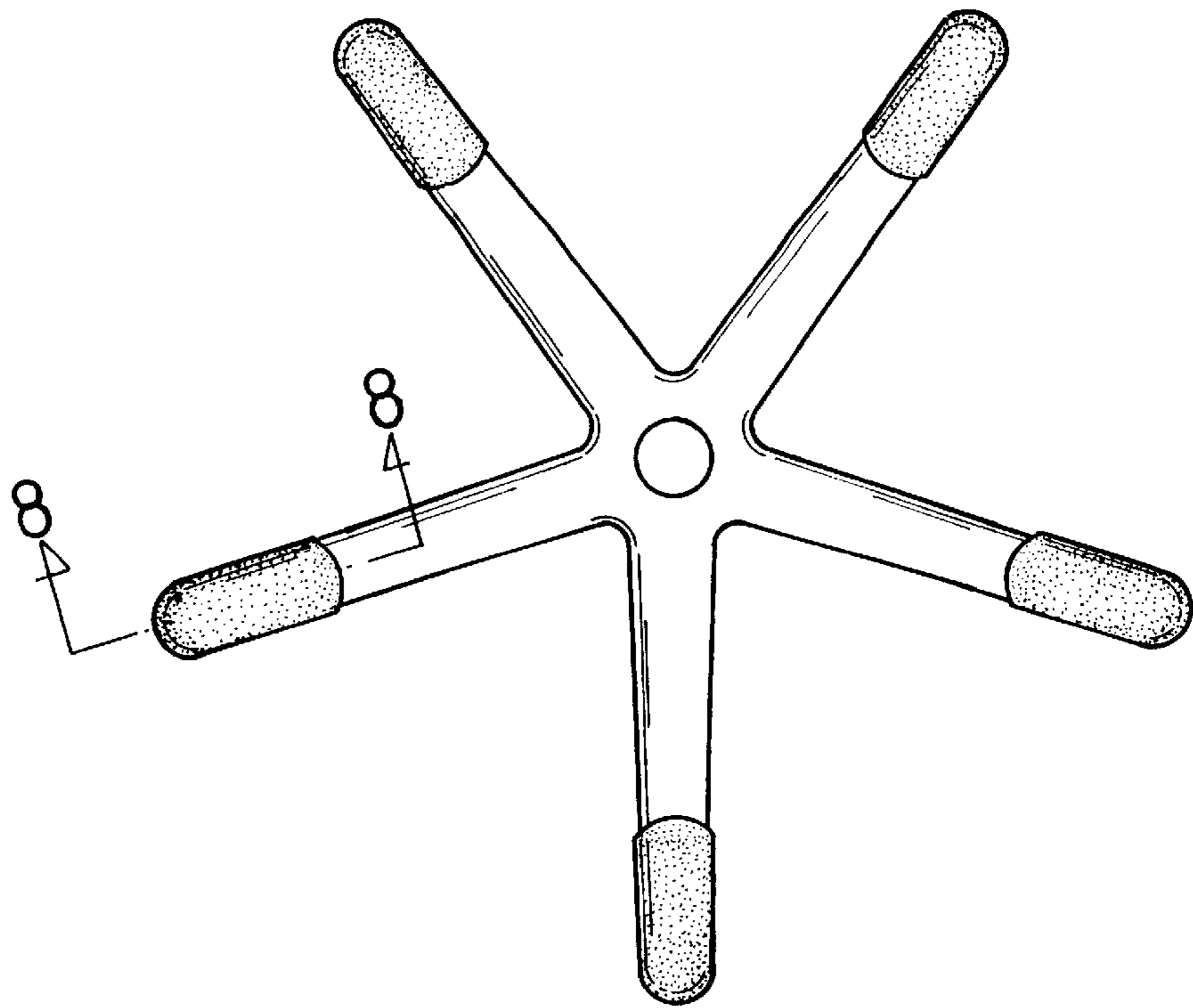


FIG. 6

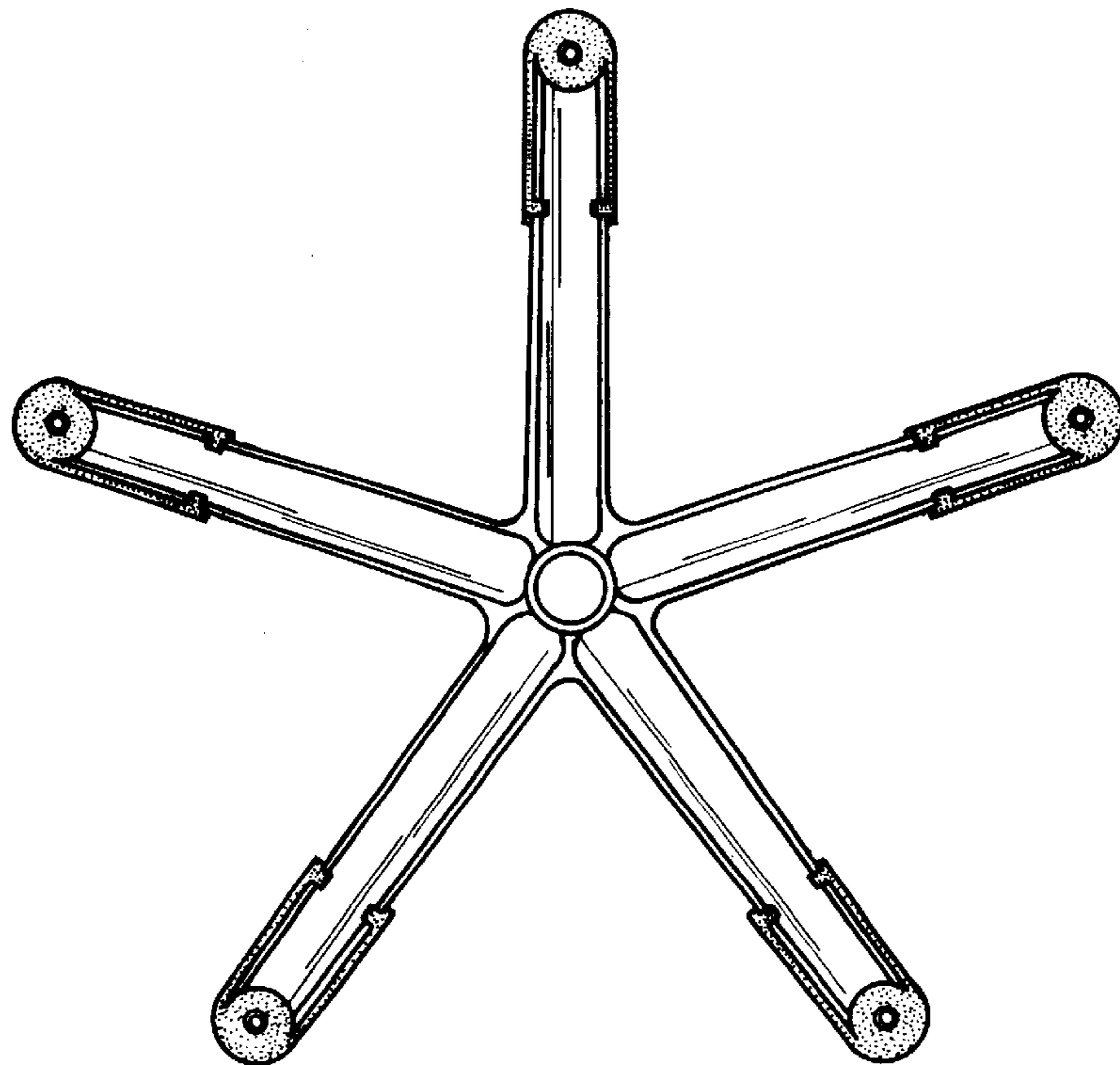


FIG. 7

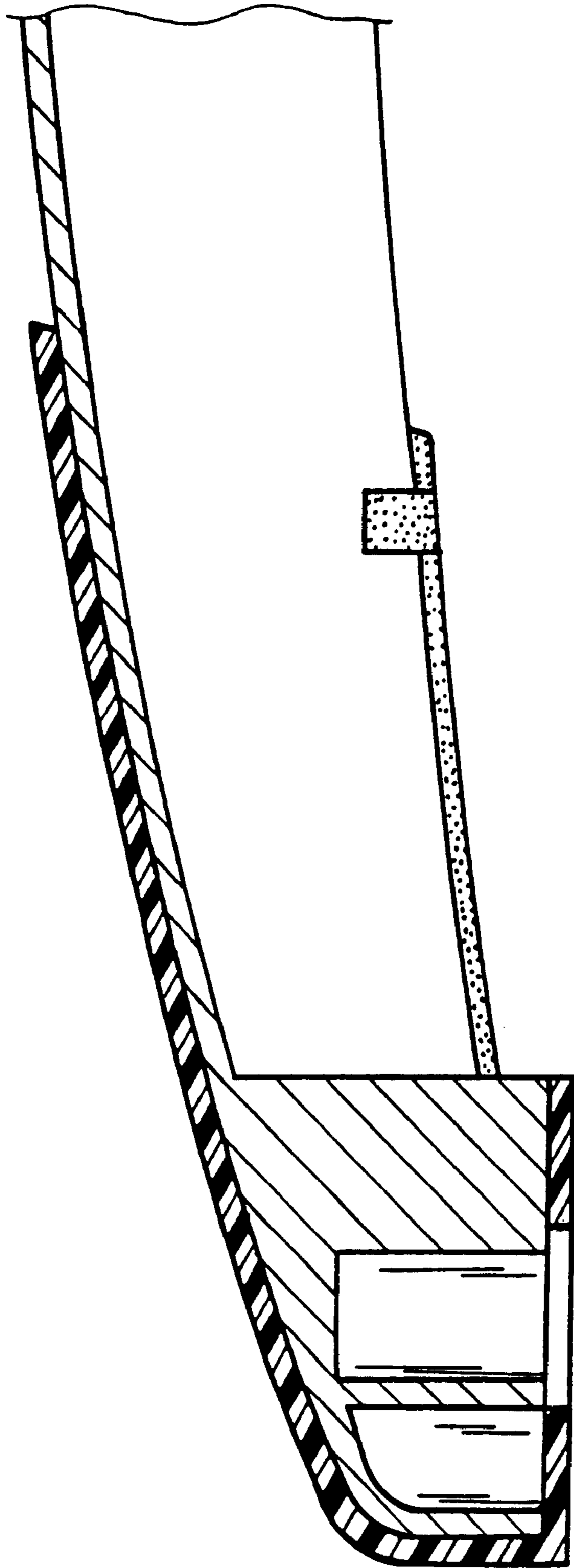


FIG. 8