



US00D470684S

(12) **United States Design Patent**  
**Beauregard**

(10) **Patent No.:** **US D470,684 S**

(45) **Date of Patent:** **\*\* Feb. 25, 2003**

(54) **MERCHANDISE PUSHER**

(75) **Inventor:** **Ronald H. Beauregard**, Ft. Lauderdale,  
FL (US)

(73) **Assignee:** **Thomas Plastics, Inc.**, Hollywood, FL  
(US)

(\*\*) **Term:** **14 Years**

(21) **Appl. No.:** **29/153,556**

(22) **Filed:** **Jan. 11, 2002**

(51) **LOC (7) Cl.** ..... **06-04**

(52) **U.S. Cl.** ..... **D6/408**

(58) **Field of Search** ..... D6/396, 397, 408,  
D6/449, 475, 476; 221/66, 67, 68, 92, 97,  
112, 194, 195, 196, 257; 312/50, 60

(56) **References Cited**

**U.S. PATENT DOCUMENTS**

D168,423 S \* 12/1952 Schiffer ..... D6/408

3,951,608 A \* 4/1976 Trod ..... D24/226 X

D313,899 S \* 1/1991 Barker et al. .... D6/408

D333,934 S \* 3/1993 Ozawa ..... D6/491

D402,136 S \* 12/1998 Milani ..... D6/449

\* cited by examiner

*Primary Examiner*—Cathron C. Brooks

(74) *Attorney, Agent, or Firm*—Richard S. Ness, Esq.

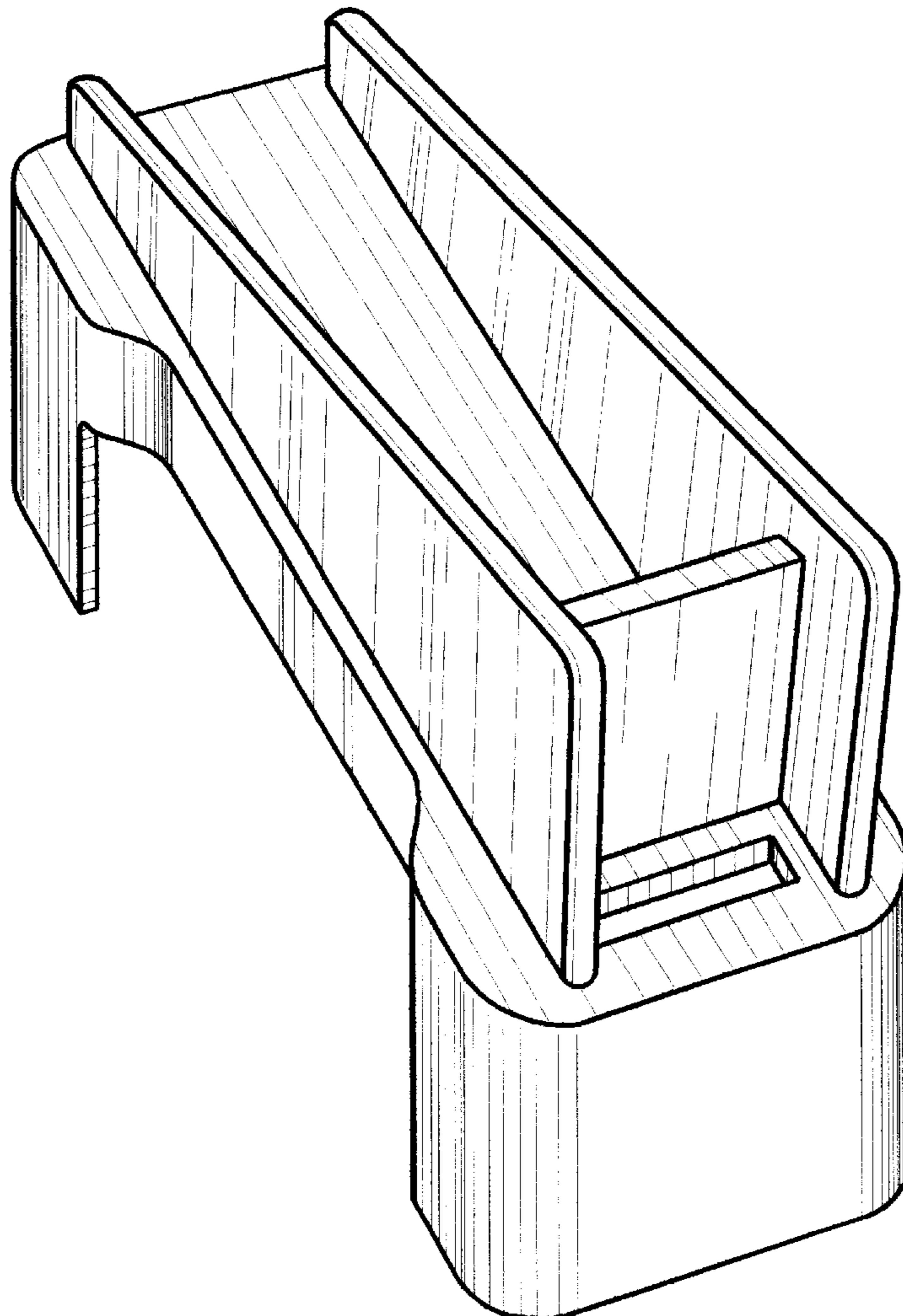
(57) **CLAIM**

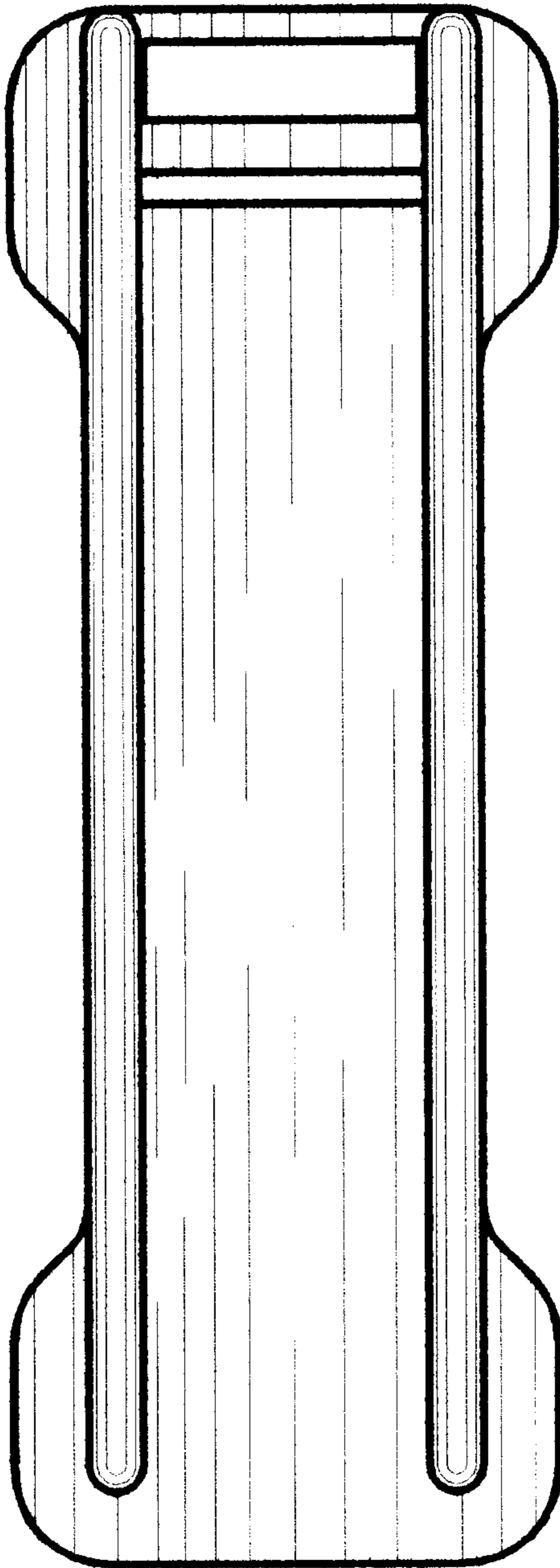
The ornamental design for a merchandise pusher, as shown and described.

**DESCRIPTION**

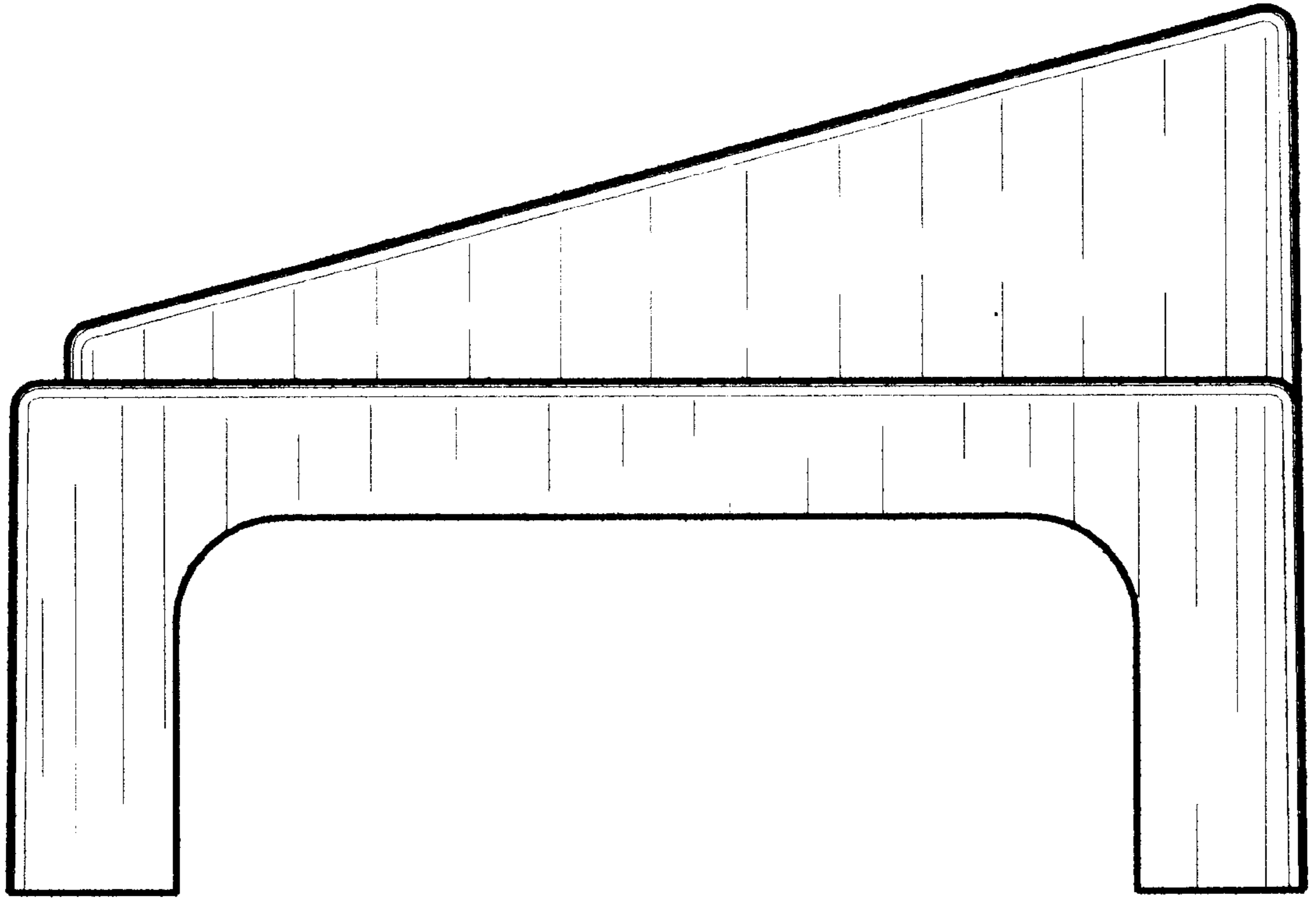
FIG. 1 top view of the present invention;  
FIG. 2 is a left side view of the present invention, the right side view being a mirror image thereof;  
FIG. 3 is a front view of the present invention;  
FIG. 4 is a rear view of the present invention;  
FIG. 5 is a bottom view of the present invention; and,  
FIG. 6 is a perspective view of the present invention.

**1 Claim, 6 Drawing Sheets**

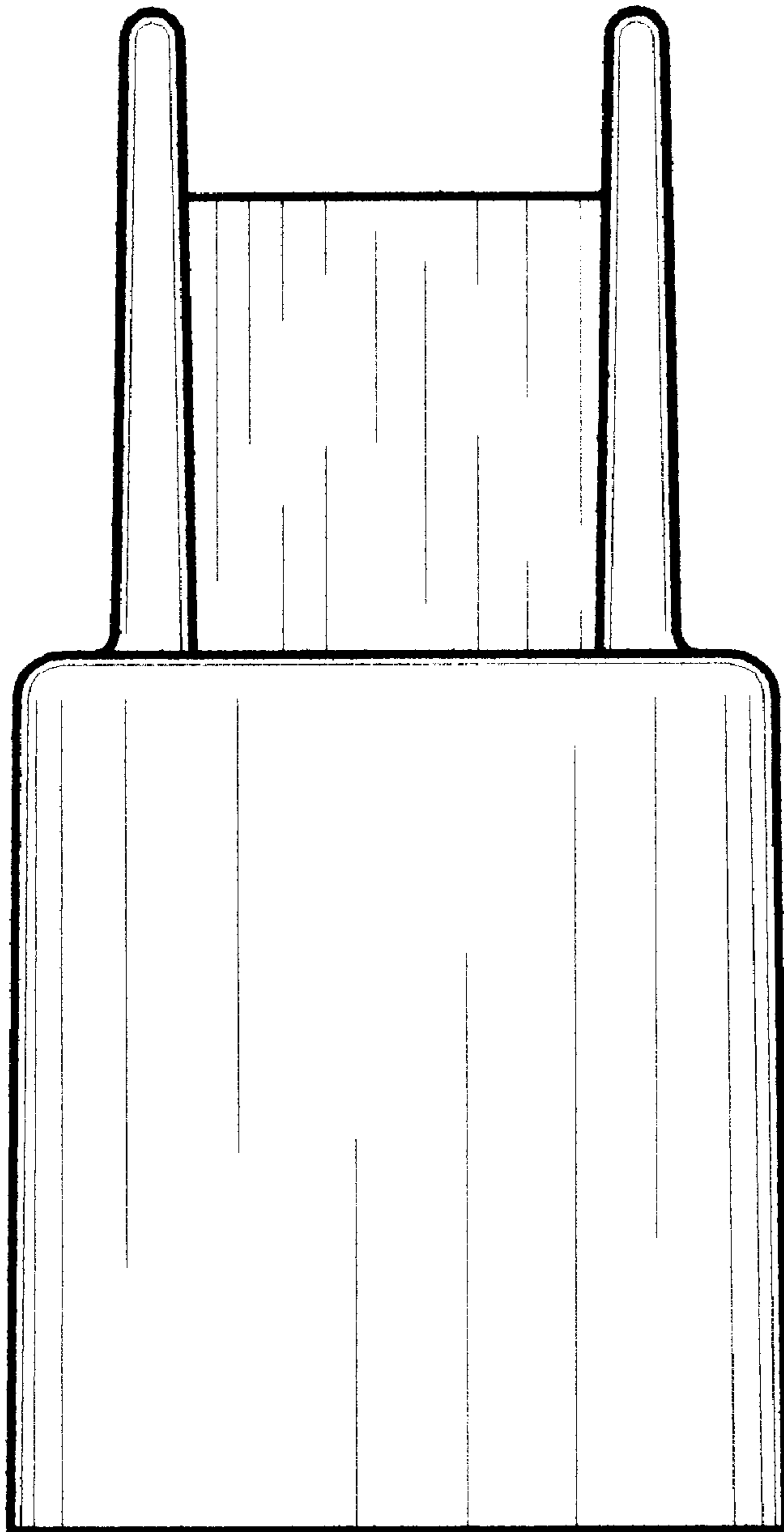




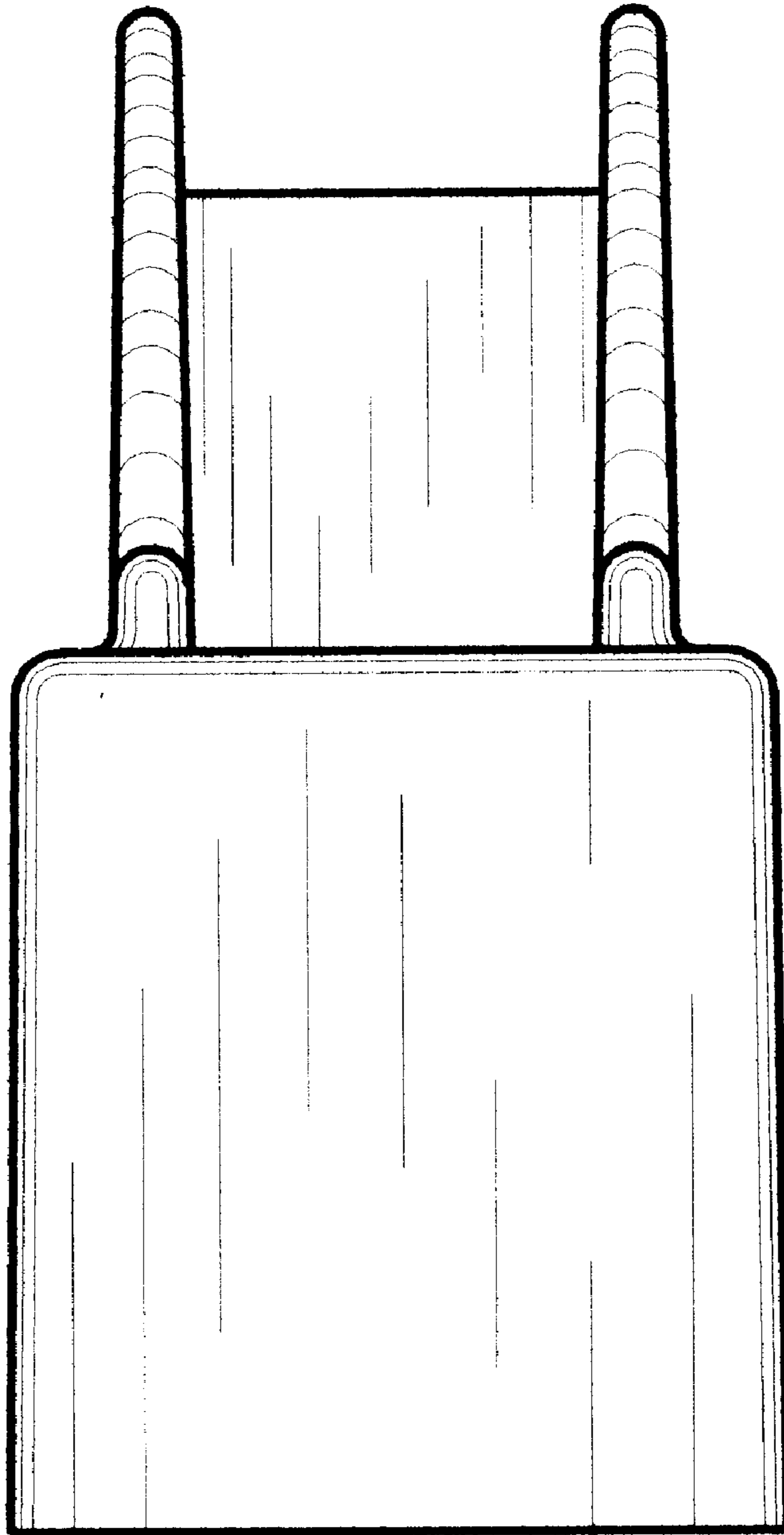
*Fig. 1*



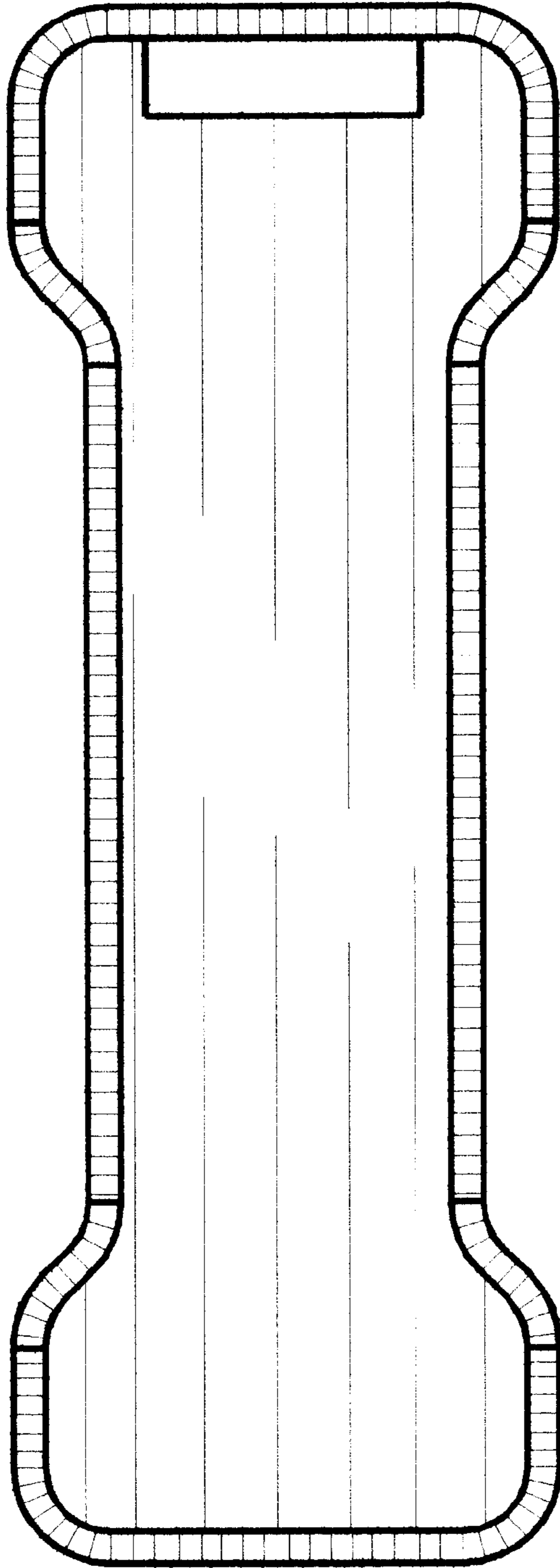
*Fig. 2*



*Fig. 3*

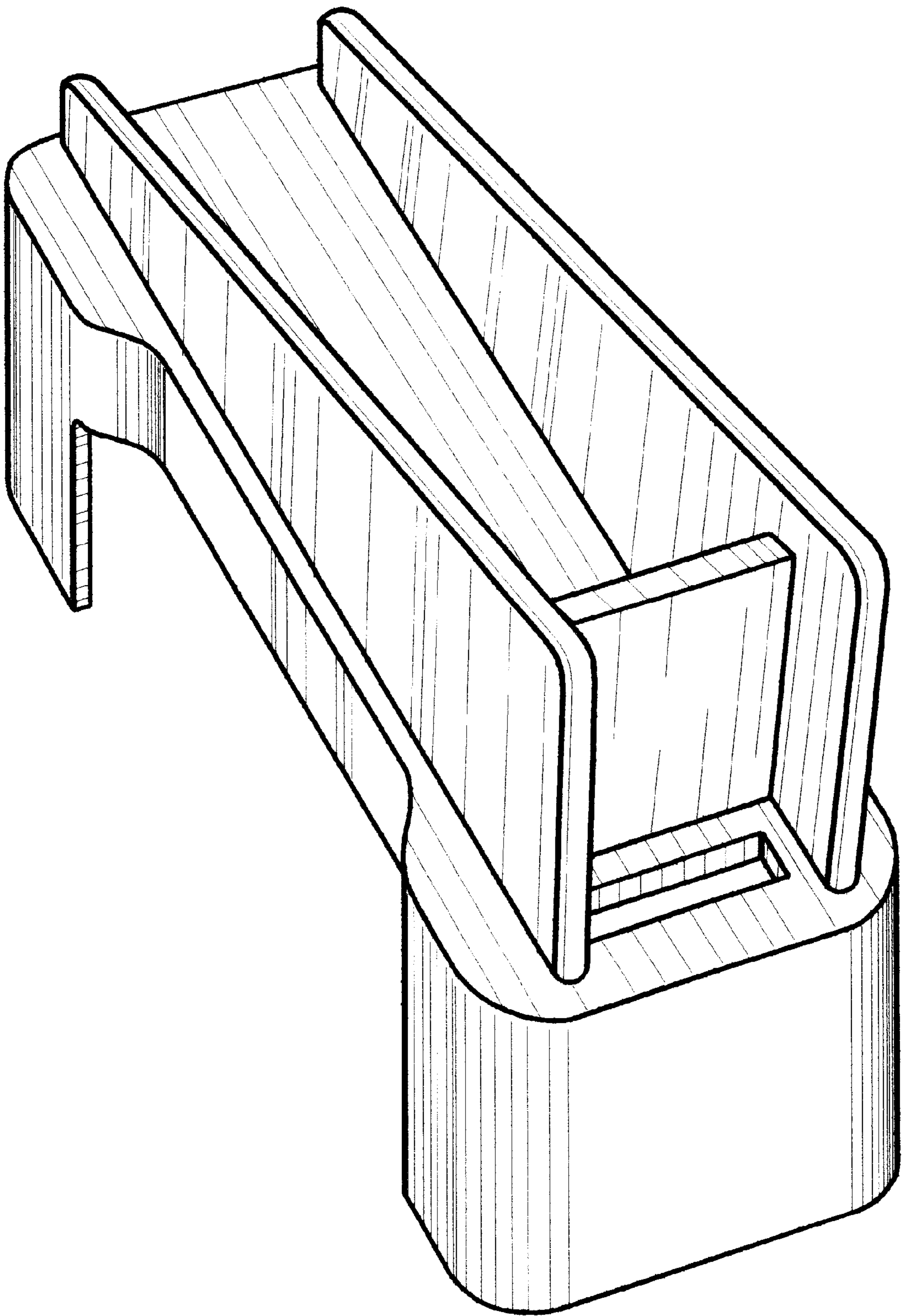


*Fig. 4*



*Fig. 5*





*Fig. 6*