



US00D470682S

(12) **United States Design Patent**
Eiffert

(10) **Patent No.:** **US D470,682 S**

(45) **Date of Patent:** **** Feb. 25, 2003**

(54) **PHOTOVOLTAIC UMBRELLA**

(75) Inventor: **Patrina Eiffert**, Golden, CO (US)

(73) Assignee: **Imaginit, Inc.**, Golden, CO (US)

(**) Term: **14 Years**

(21) Appl. No.: **29/152,250**

(22) Filed: **Oct. 30, 2001**

(51) **LOC (7) Cl.** **06-04**

(52) **U.S. Cl.** **D6/397**

(58) **Field of Search** **D6/396, 397; 135/16**

(56) **References Cited**

U.S. PATENT DOCUMENTS

D122,789 S	*	10/1940	Connor, Jr.	D6/397
3,444,799 A	*	5/1969	Covington	D6/397 X
D244,570 S	*	6/1977	Taylor	D6/397
D259,525 S	*	6/1981	Kane	D6/397
5,964,233 A	*	10/1999	Clark et al.	135/16

OTHER PUBLICATIONS

PV umbrella, owner: ENEL s.p.a. Via G.B. Bartini 3, 1-00198 Rome, Italy, printed from web cite www.pvdatabase.com/search_details.cfm?ID=139.

* cited by examiner

Primary Examiner—Cathron C. Brooks

(74) *Attorney, Agent, or Firm*—James R. Young; Faegre & Benson LLP

(57) **CLAIM**

The ornamental design for a photovoltaic umbrella, as shown and described.

DESCRIPTION

FIG. 1 is a top and side perspective view of a photovoltaic umbrella.

FIG. 2 is a top view of the photovoltaic umbrella of FIG. 1.

FIG. 3 is a side view of the photovoltaic umbrella of FIG. 1.

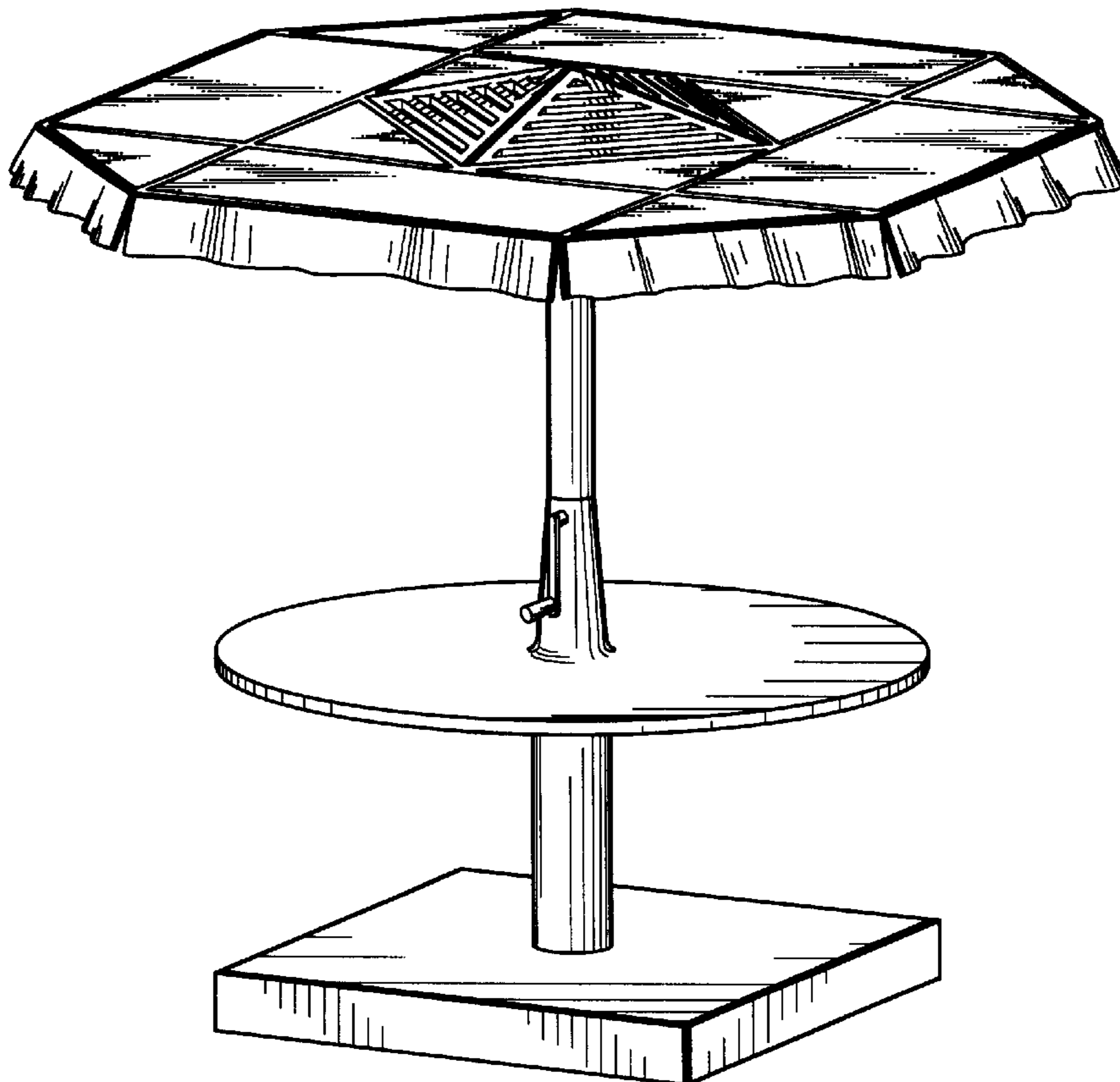
FIG. 4 is a second side view of the photovoltaic umbrella of FIG. 1.

FIG. 5 is a third side view of the photovoltaic umbrella of FIG. 1.

FIG. 6 is a fourth side view of the photovoltaic umbrella of FIG. 1; and,

FIG. 7 is a bottom view of the photovoltaic umbrella of FIG. 1.

1 Claim, 4 Drawing Sheets



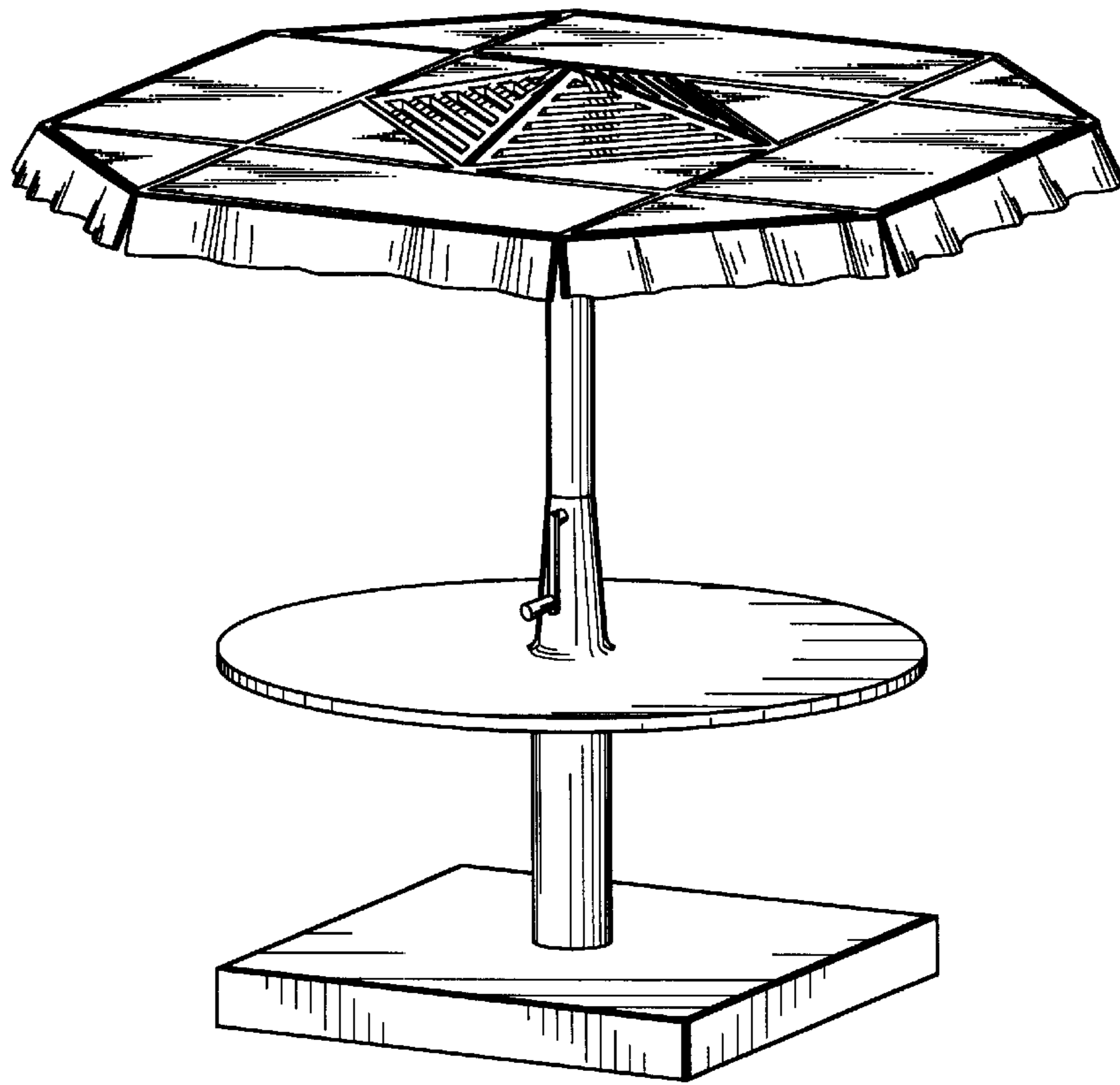


Figure 1

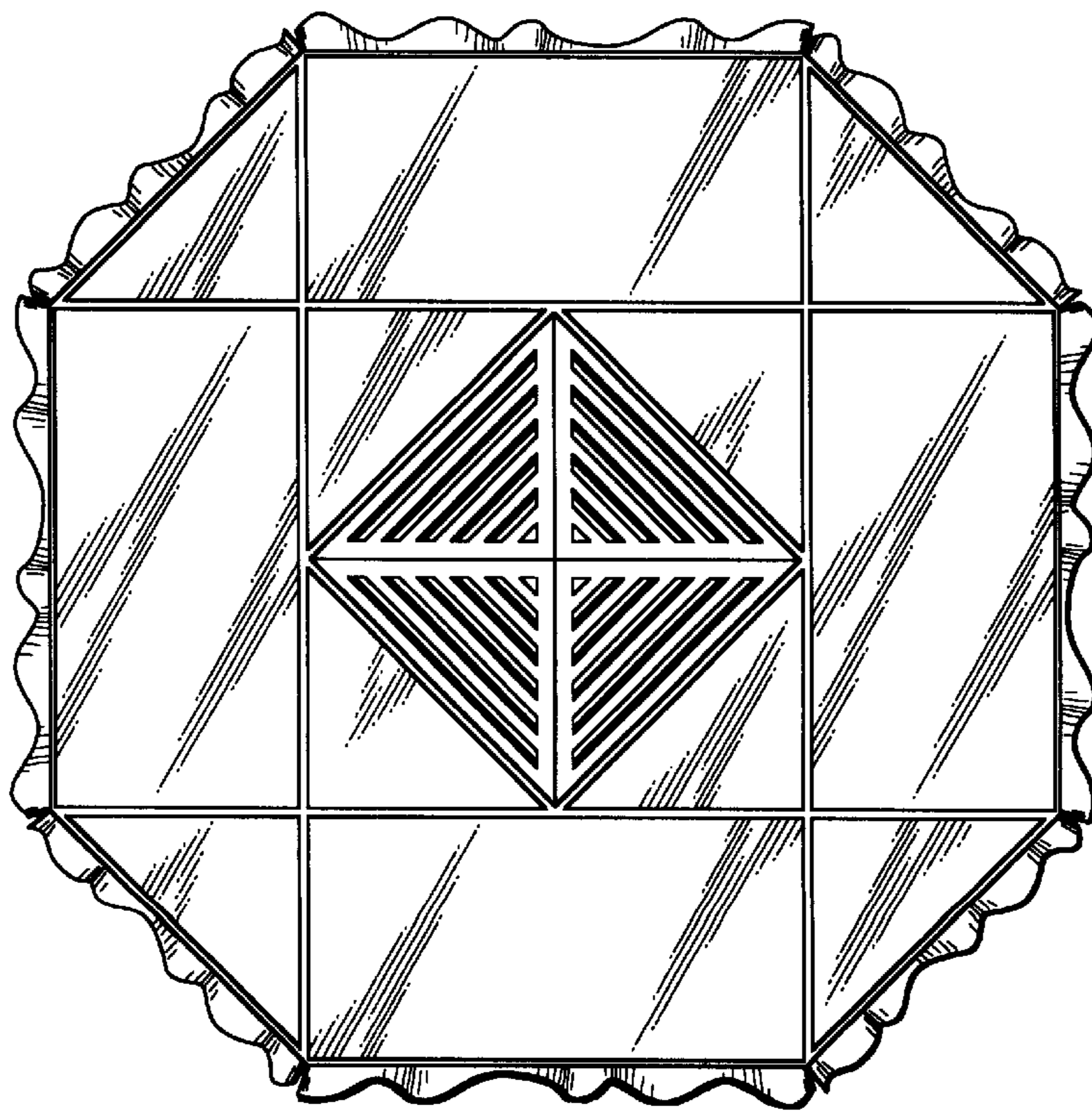


Figure 2

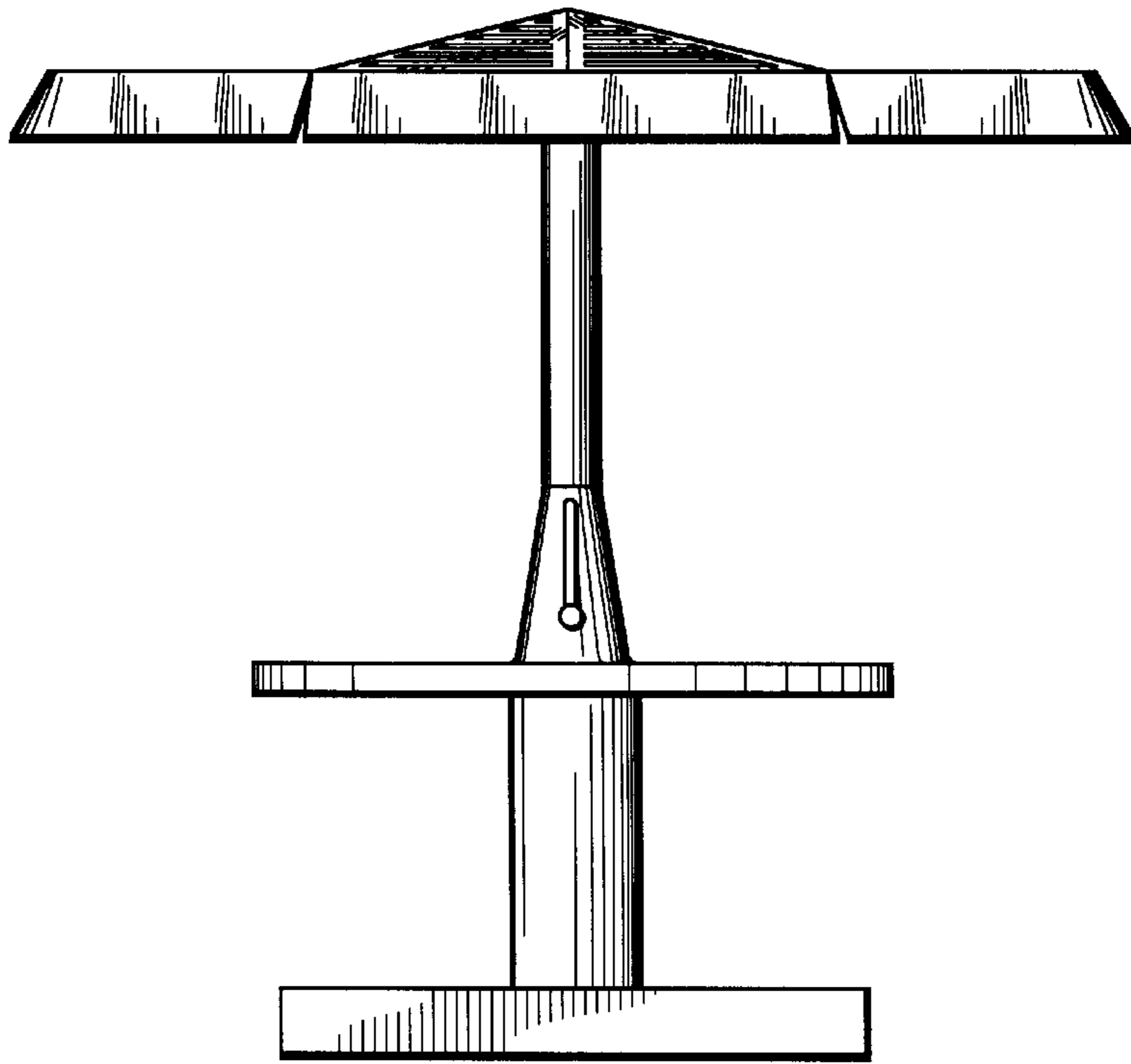


Figure 3

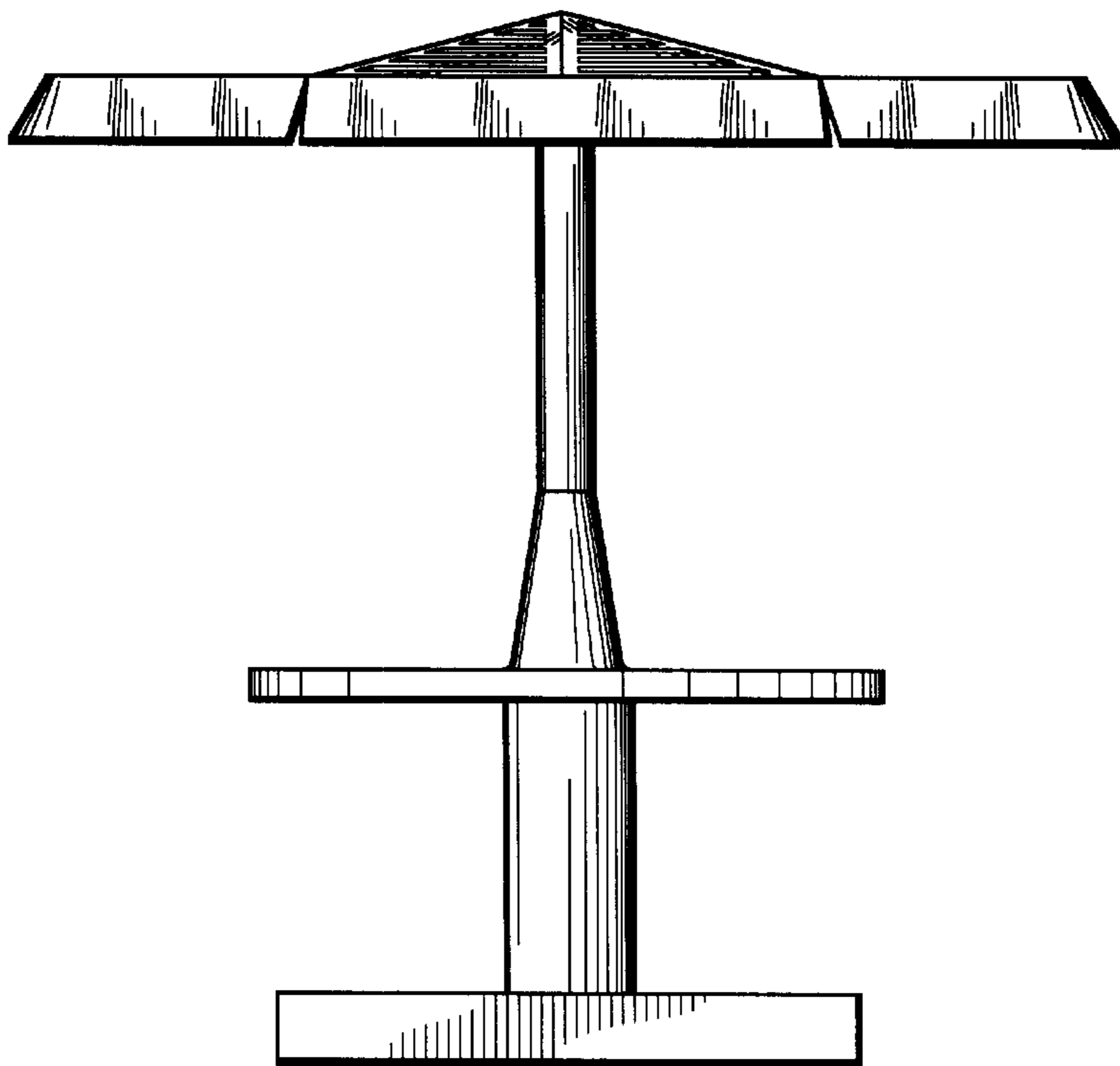


Figure 4

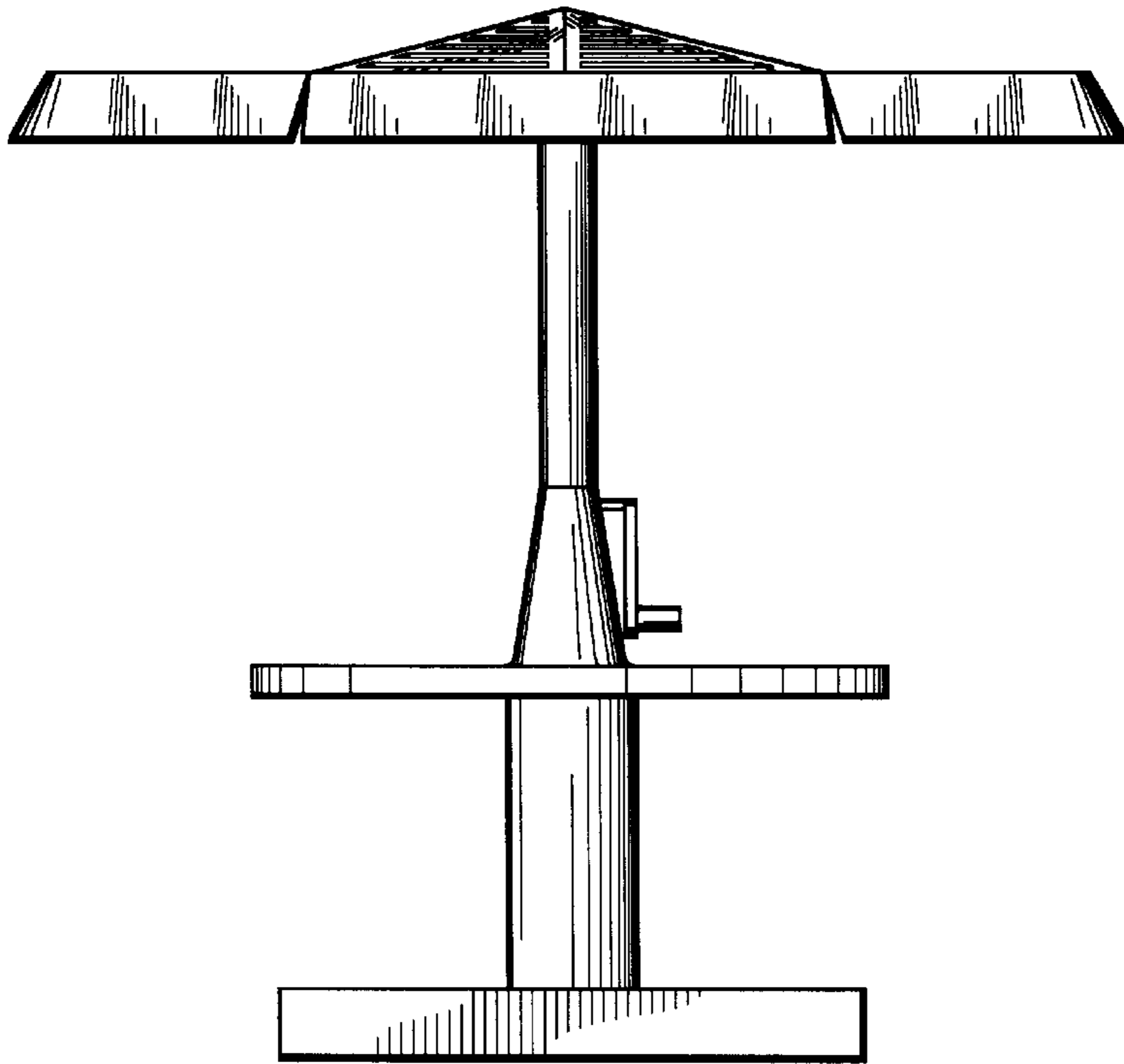


Figure 5

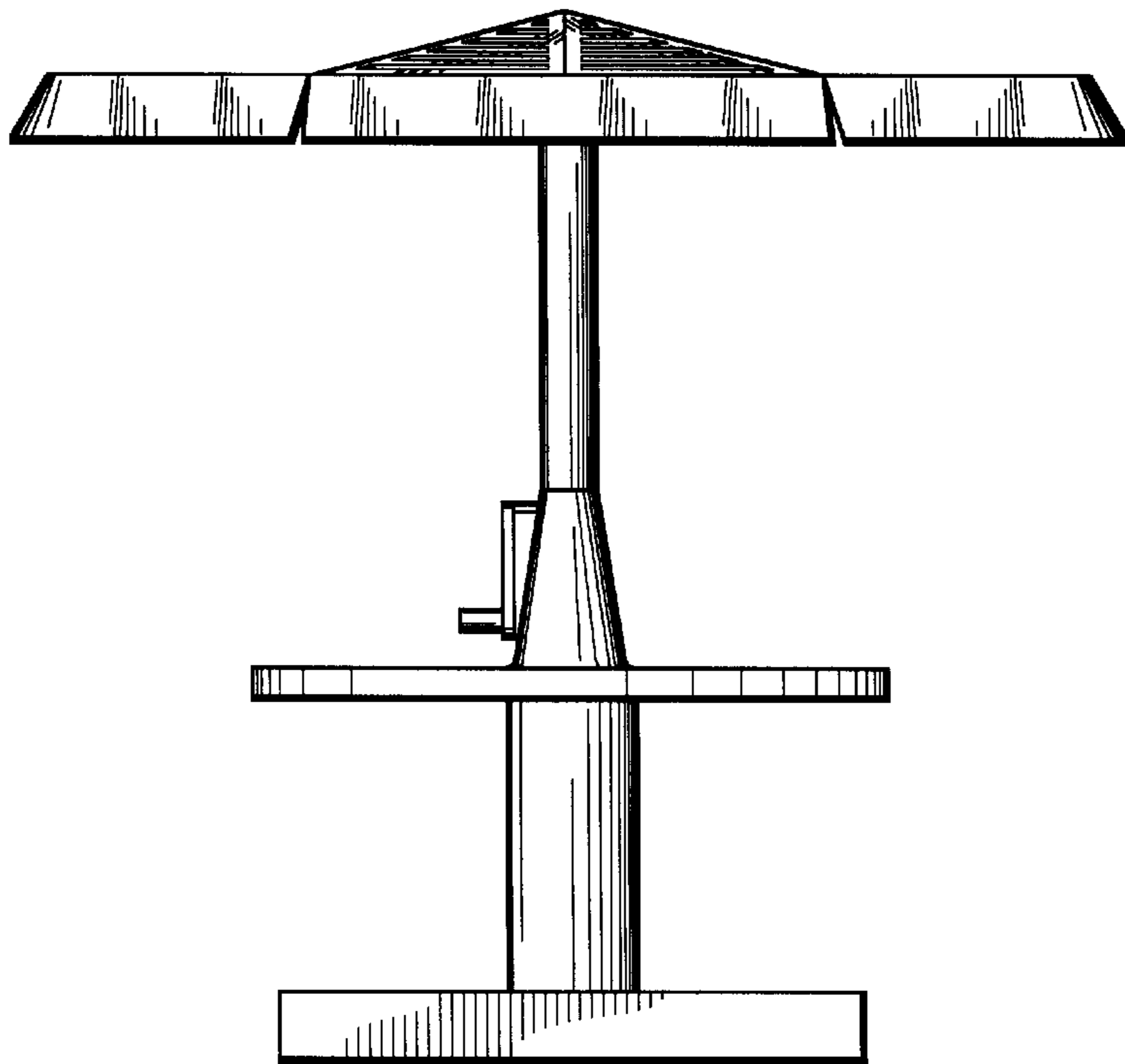


Figure 6

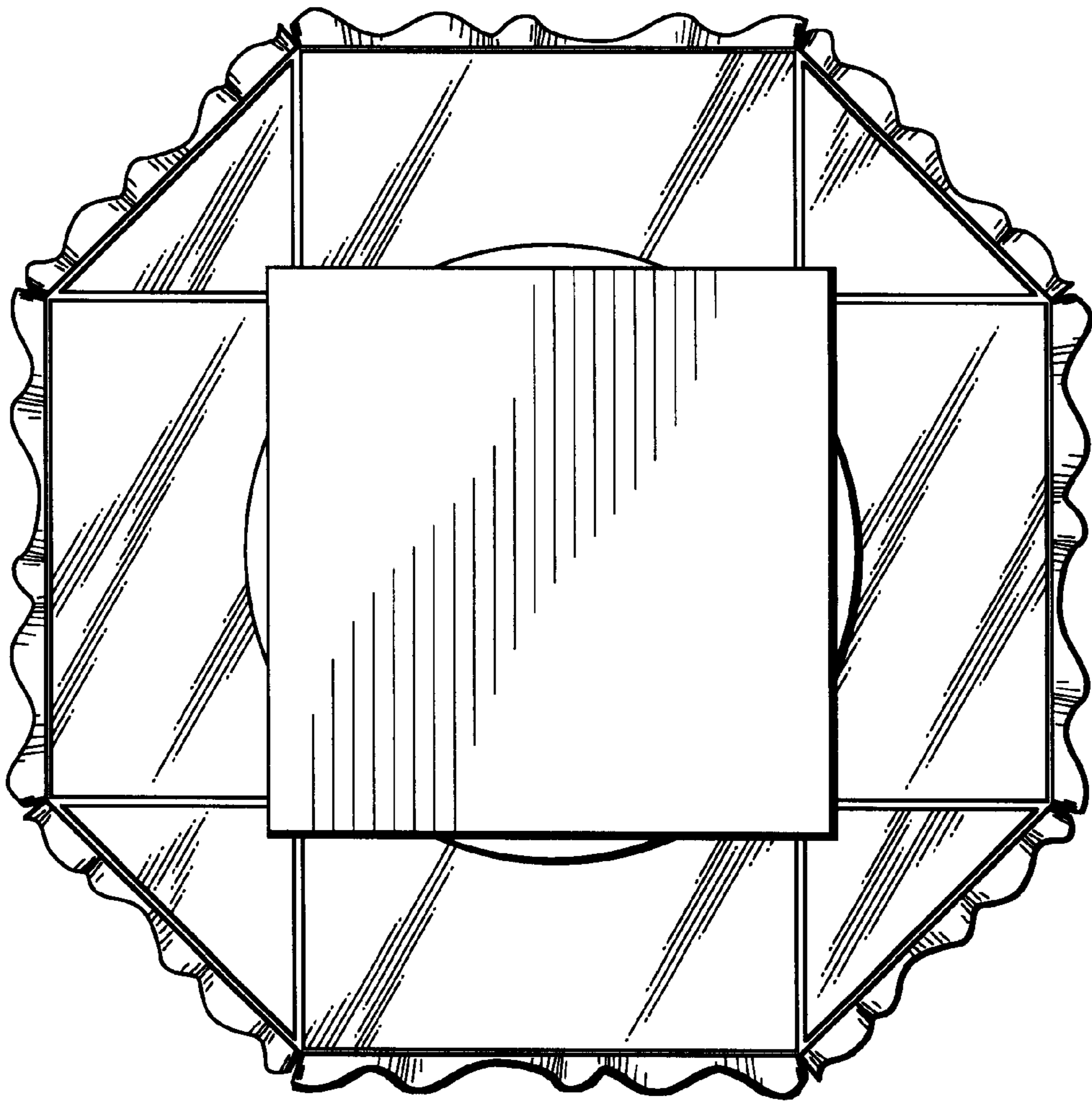


Figure 7