



US00D470679S

(12) **United States Design Patent**  
**Lee**

(10) **Patent No.:** **US D470,679 S**

(45) **Date of Patent:** **\*\* Feb. 25, 2003**

(54) **COMBINED BED AND NIGHTSTANDS**

(75) Inventor: **Rick C. Lee**, San Francisco, CA (US)

(73) Assignee: **Statements, Inc.**, Cudahy, CA (US)

(\*\*) Term: **14 Years**

(21) Appl. No.: **29/158,263**

(22) Filed: **Apr. 2, 2002**

(51) **LOC (7) Cl.** ..... **06-06**

(52) **U.S. Cl.** ..... **D6/384; D6/505**

(58) **Field of Search** ..... **D6/382-384, 388,**  
**D6/389, 397, 503, 392-395, 505; 5/53.1,**  
**279.1, 280, 281, 907, 2.1**

(56) **References Cited**

**U.S. PATENT DOCUMENTS**

D176,333 S \* 12/1955 Herrmann ..... D6/383  
D297,792 S \* 9/1988 Balutto ..... D6/384

D389,678 S \* 1/1998 Keller ..... D6/505  
D459,103 S \* 6/2002 Kovac ..... D6/384

\* cited by examiner

*Primary Examiner*—Janice E. Seeger

(74) *Attorney, Agent, or Firm*—MacCord Mason PLLC

(57) **CLAIM**

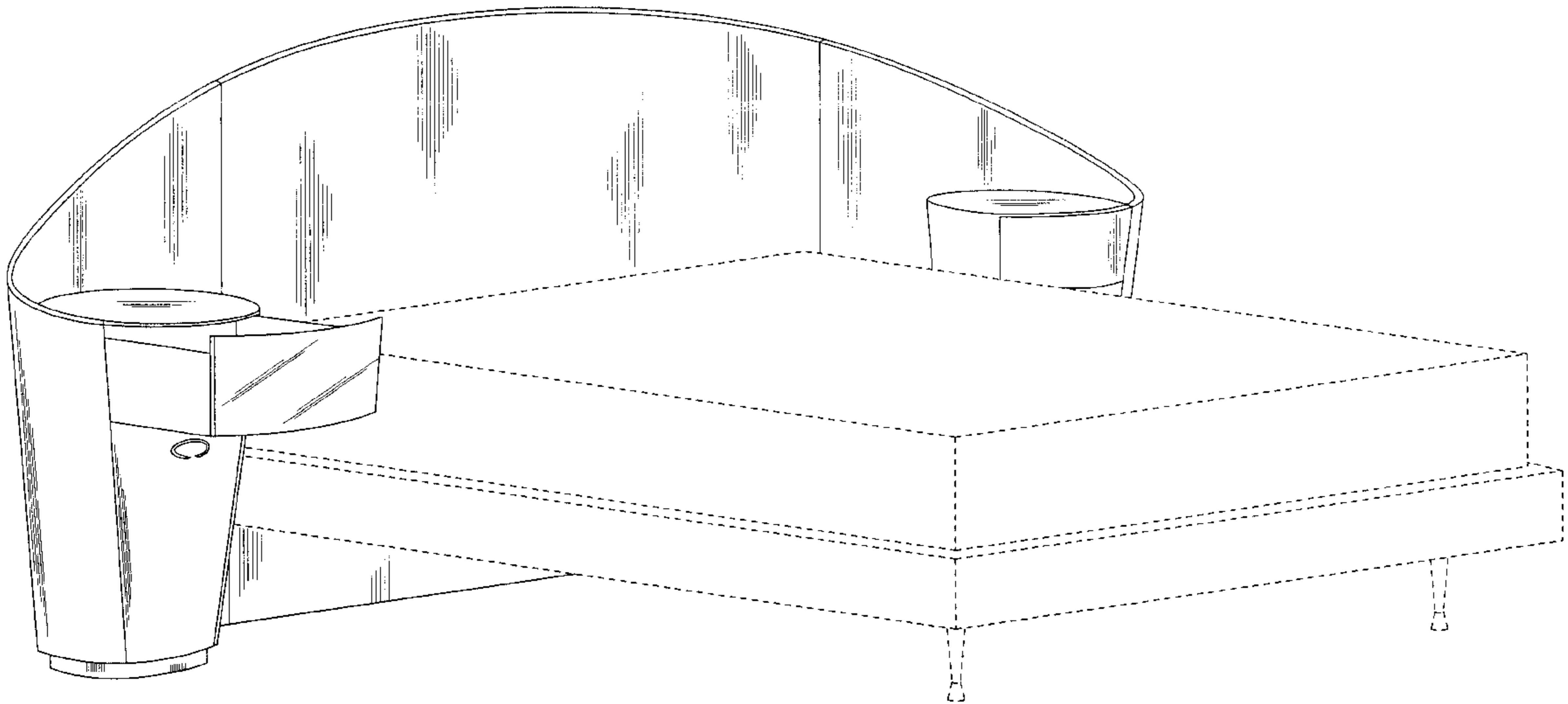
The ornamental design for a combined bed and nightstands, as shown and described.

**DESCRIPTION**

FIG. 1 is a perspective view of a combined bed and nightstands showing my new design; FIG. 2 is a front view thereof; FIG. 3 is a side view thereof; and, FIG. 4 is a plan view thereof.

The broken lines shown are for illustrative purposes only and form no part of the claimed design.

**1 Claim, 4 Drawing Sheets**



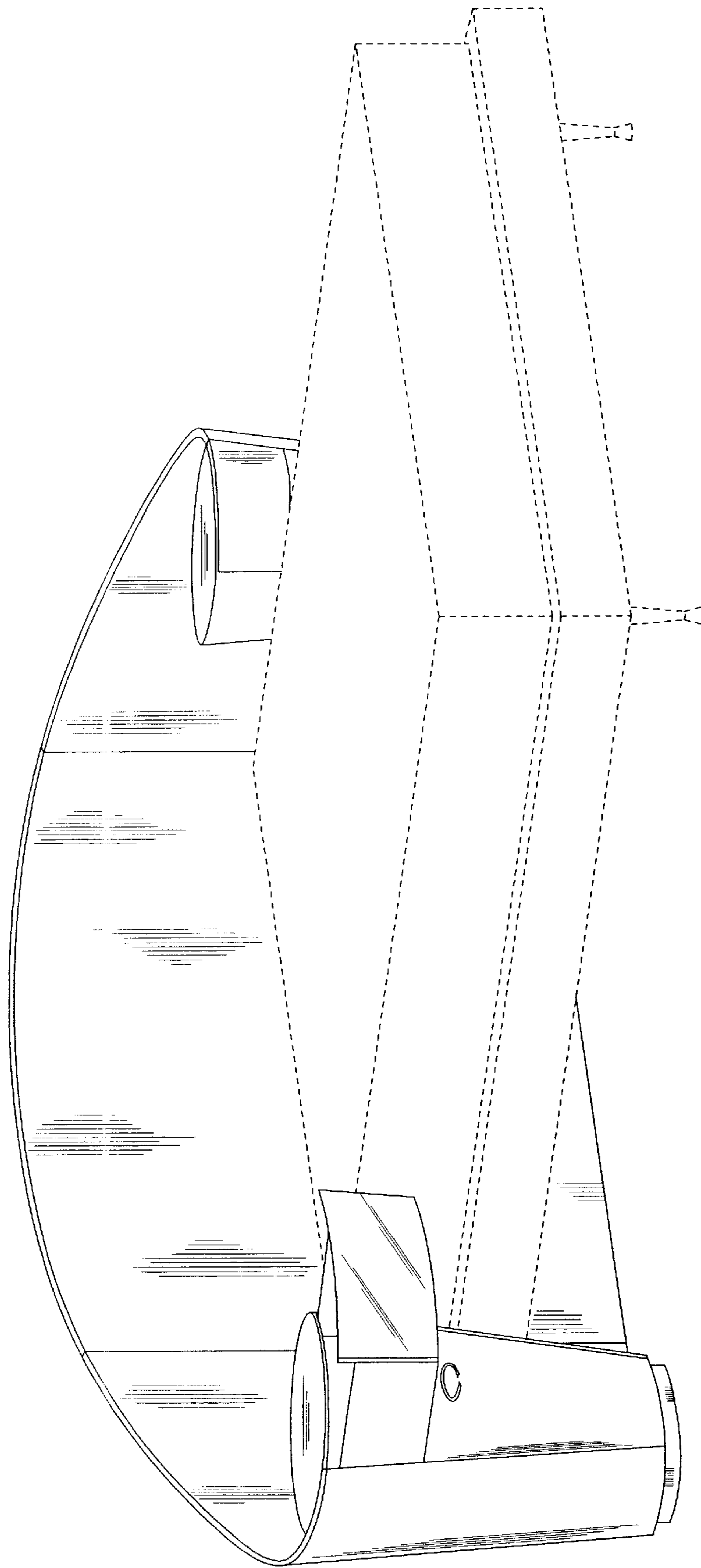


FIG. 1

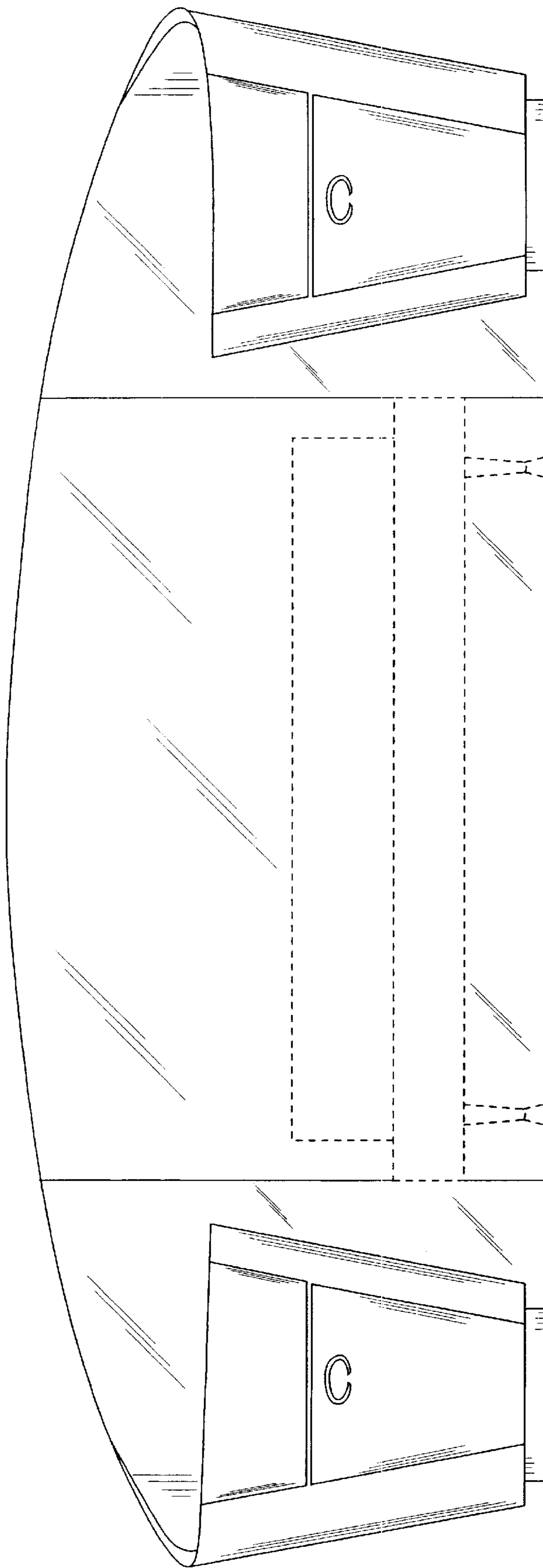


FIG. 2

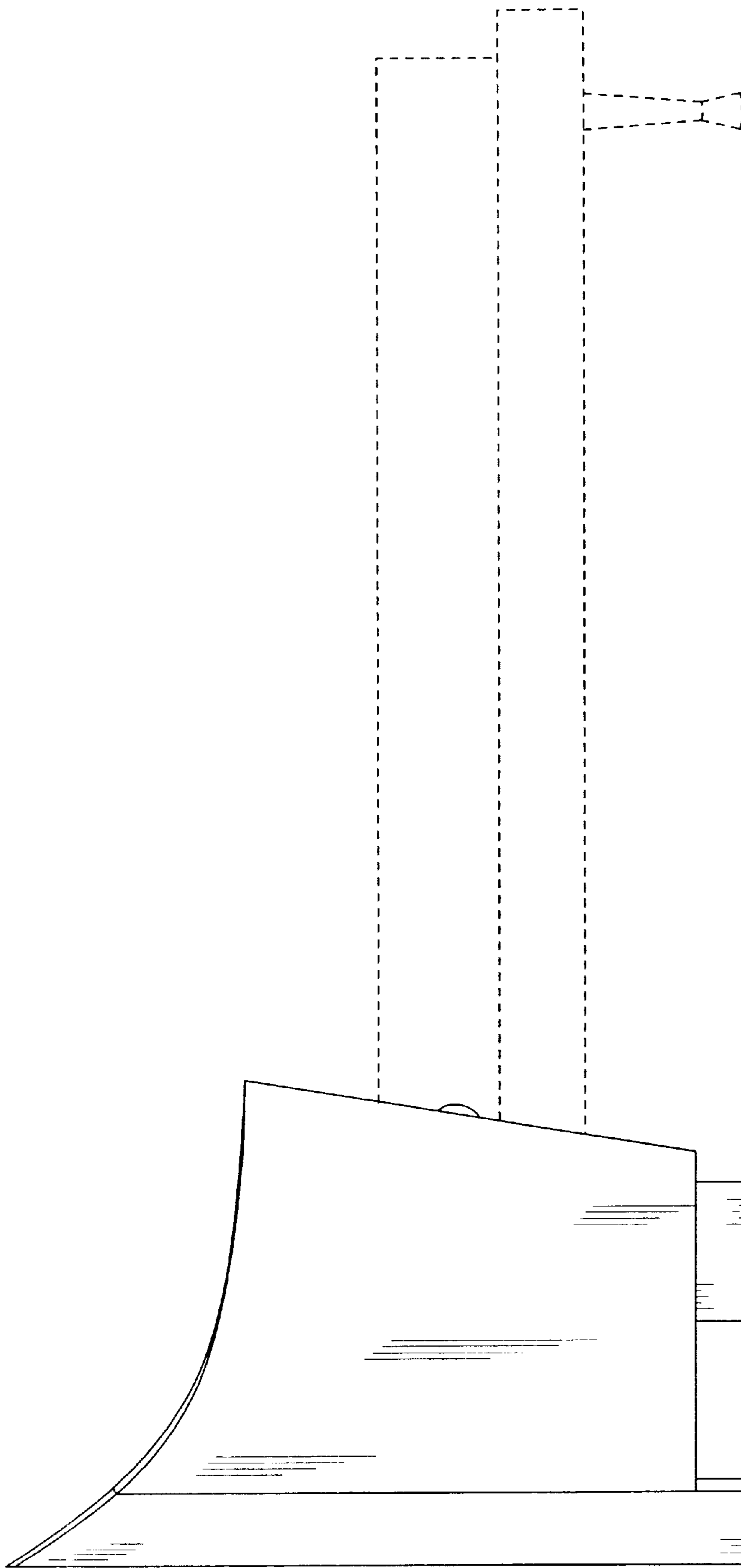


FIG. 3

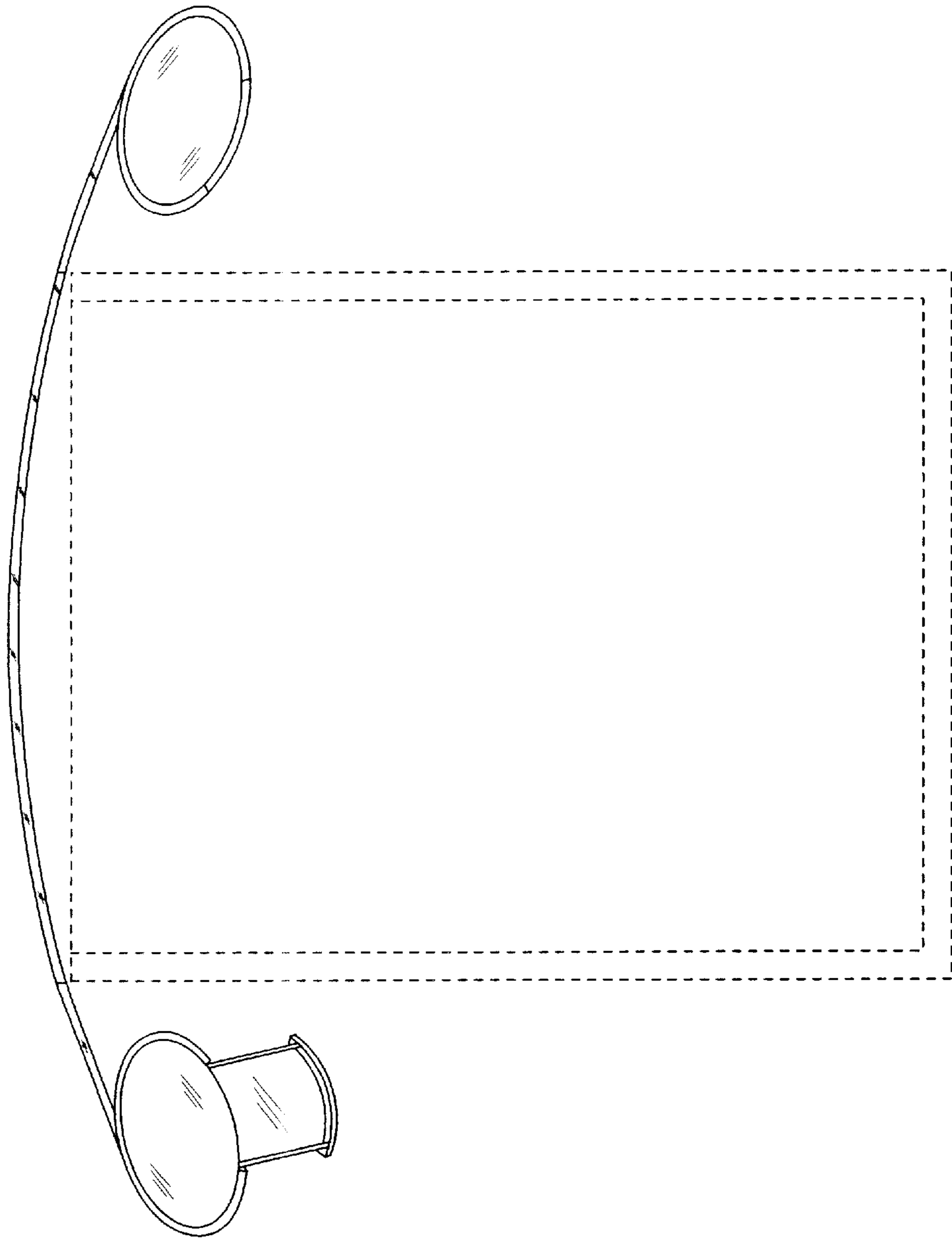


FIG. 4