



US00D470670S

(12) **United States Design Patent**  
**Meyer**

(10) **Patent No.:** **US D470,670 S**

(45) **Date of Patent:** **\*\* Feb. 25, 2003**

(54) **CHAIR**

(75) Inventor: **Just Bernhard Meyer**, Rhenen (NL)

(73) Assignee: **Indecom N.V.** (NL)

(\*\*) Term: **14 Years**

(21) Appl. No.: **29/159,990**

(22) Filed: **May 2, 2002**

(51) **LOC (7) Cl.** ..... **06-01**

(52) **U.S. Cl.** ..... **D6/374; D6/379**

(58) **Field of Search** ..... **D6/334, 374, 375,**  
**D6/379, 380, 500, 501, 502; 297/445.1,**  
**446.1**

(56) **References Cited**

**U.S. PATENT DOCUMENTS**

2,709,485	A	*	5/1955	Haven	.....	297/446.1
D181,099	S	*	10/1957	Jones et al.	.....	D6/374
D214,437	S	*	6/1969	Muller et al.	.....	D6/374
D215,836	S	*	11/1969	Bell, Jr. et al.	.....	D6/374
D255,185	S	*	6/1980	Locher	.....	D6/375
D331,326	S	*	12/1992	Bennett	.....	D6/379
D335,041	S	*	4/1993	Meijer	.....	D6/379

D352,183	S	*	11/1994	Sheridan	.....	D6/374
D396,563	S	*	8/1998	Meijer	.....	D6/334
D416,408	S	*	11/1999	Talin	.....	D6/502
D422,158	S	*	4/2000	Newhouse	.....	D6/375
D449,459	S	*	10/2001	Diez Mintegi	.....	D6/374

\* cited by examiner

*Primary Examiner*—Gary D. Watson

(74) *Attorney, Agent, or Firm*—Jackson Walker L.L.P.

(57) **CLAIM**

The ornamental design for a chair, as shown and described.

**DESCRIPTION**

FIG. 1 is a top view of my new chair

FIG. 2 is a front view of my new chair in an embodiment without armrests

FIG. 3 is a view from one side, the opposite side being symmetrical

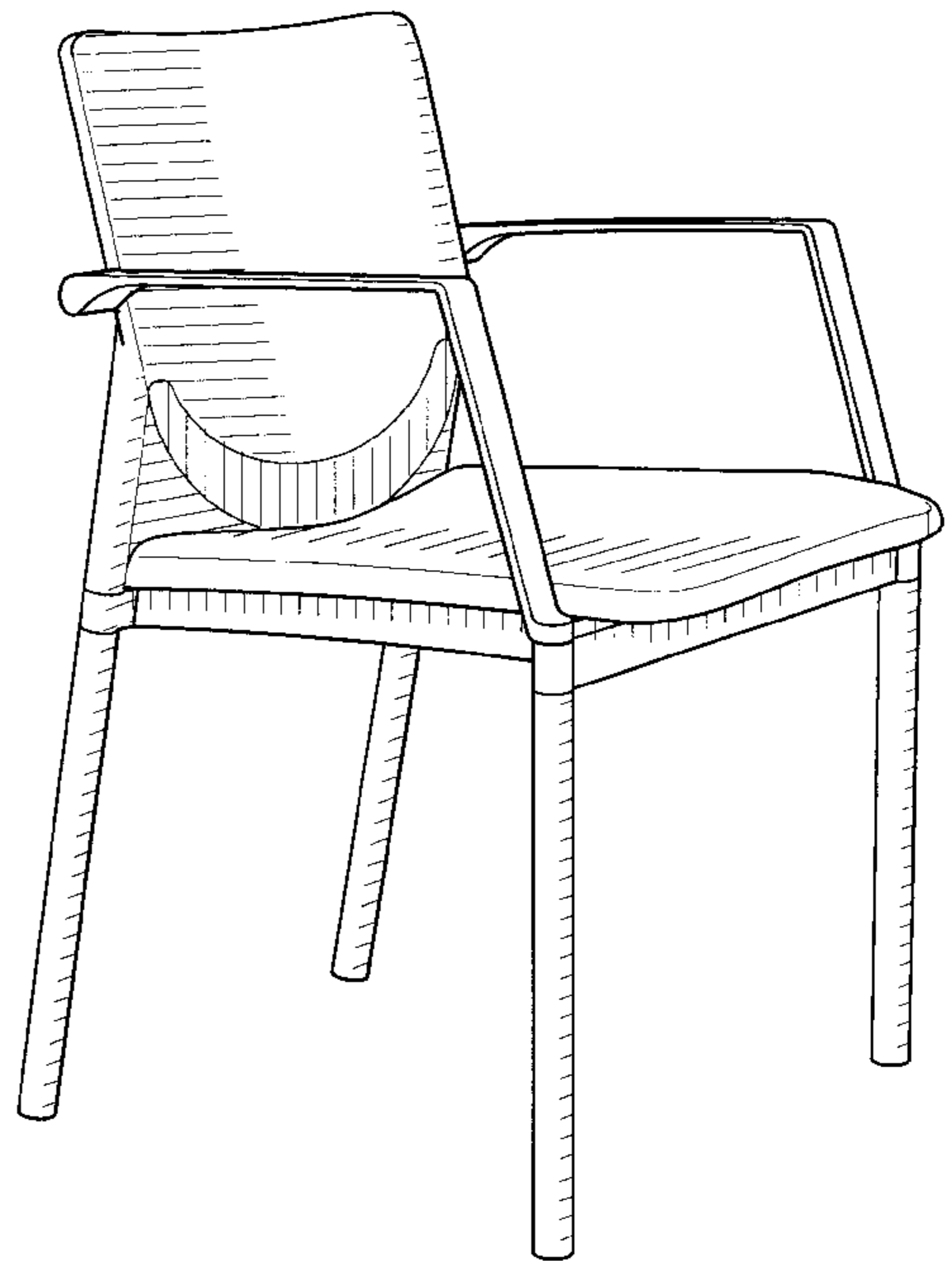
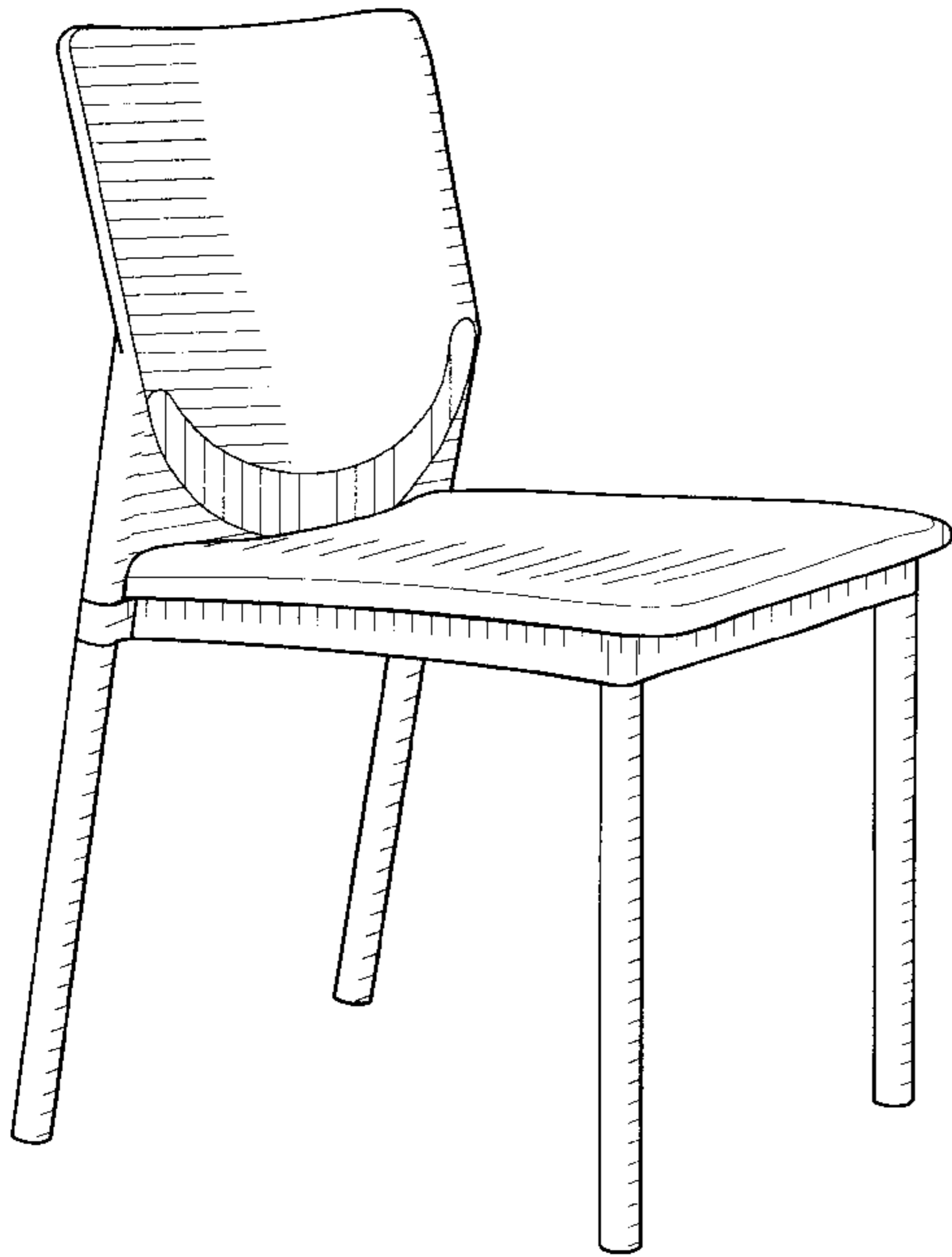
FIG. 4 is a bottom view of my new chair

FIG. 5 is a rear view of my new chair

FIG. 6 is a perspective view of my new chair; and,

FIGS. 7–12 are views corresponding to those of FIGS. 1–6 of a second embodiment with armrests.

**1 Claim, 4 Drawing Sheets**



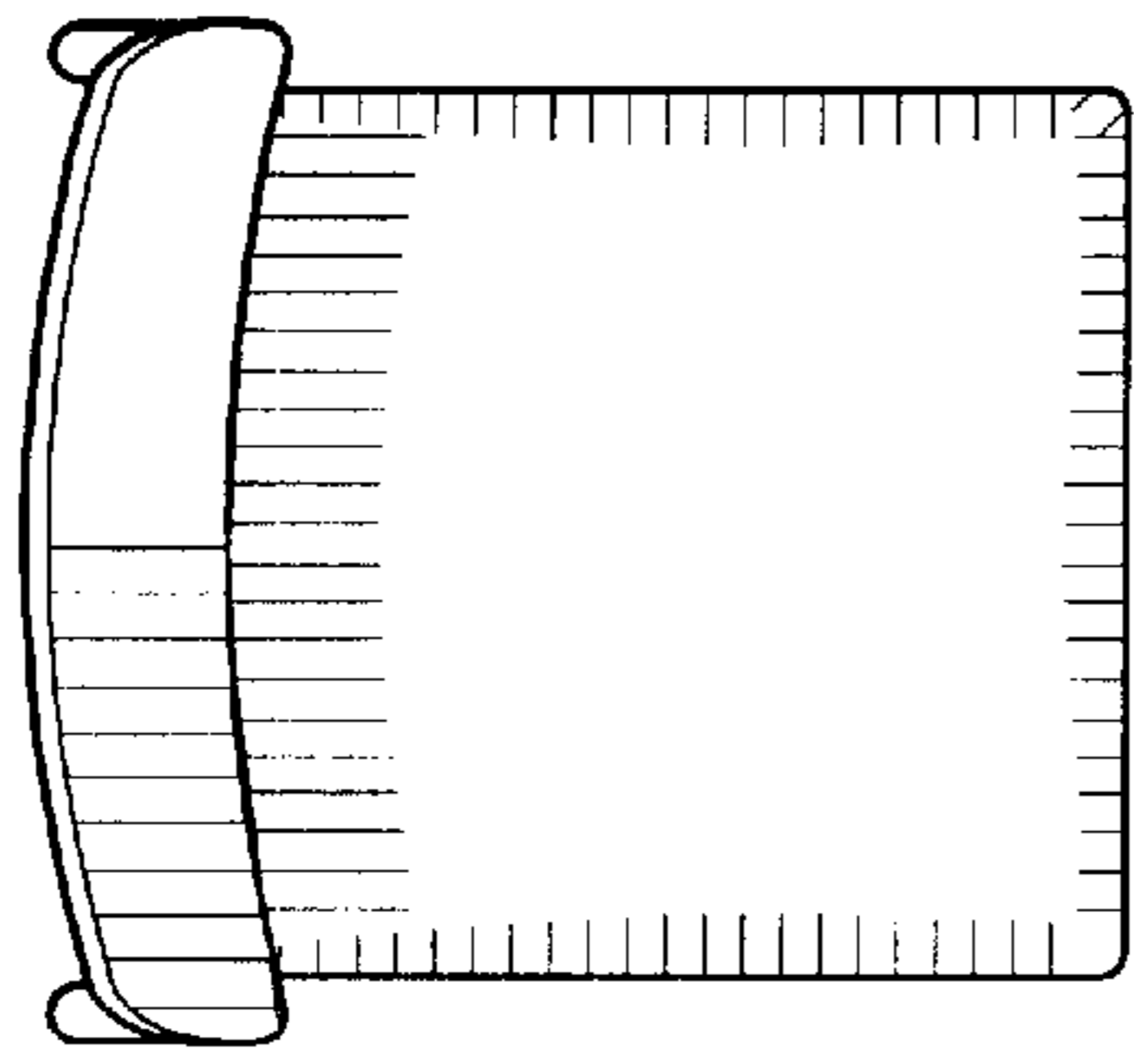


FIG. 1

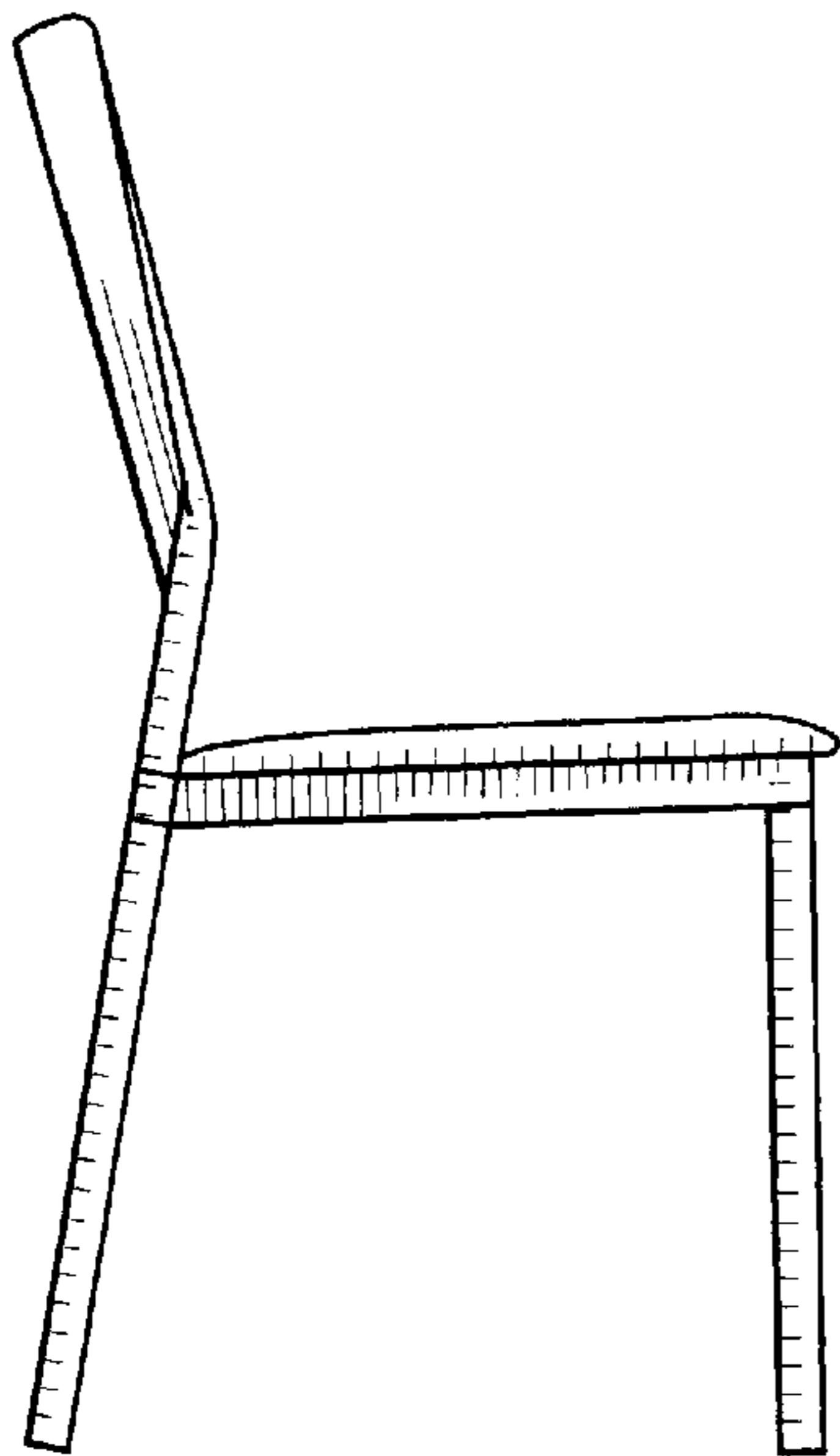


FIG. 3

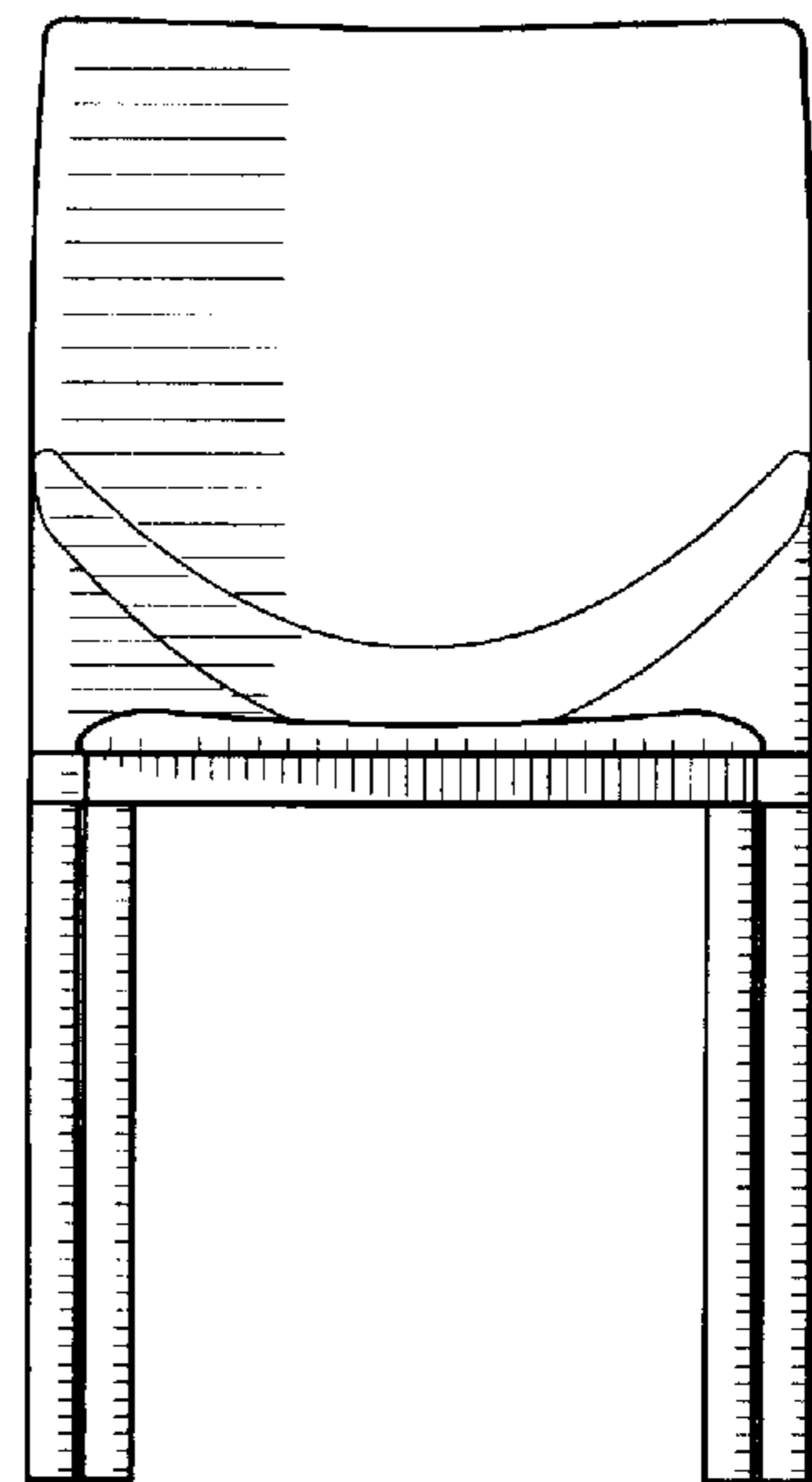


FIG. 2

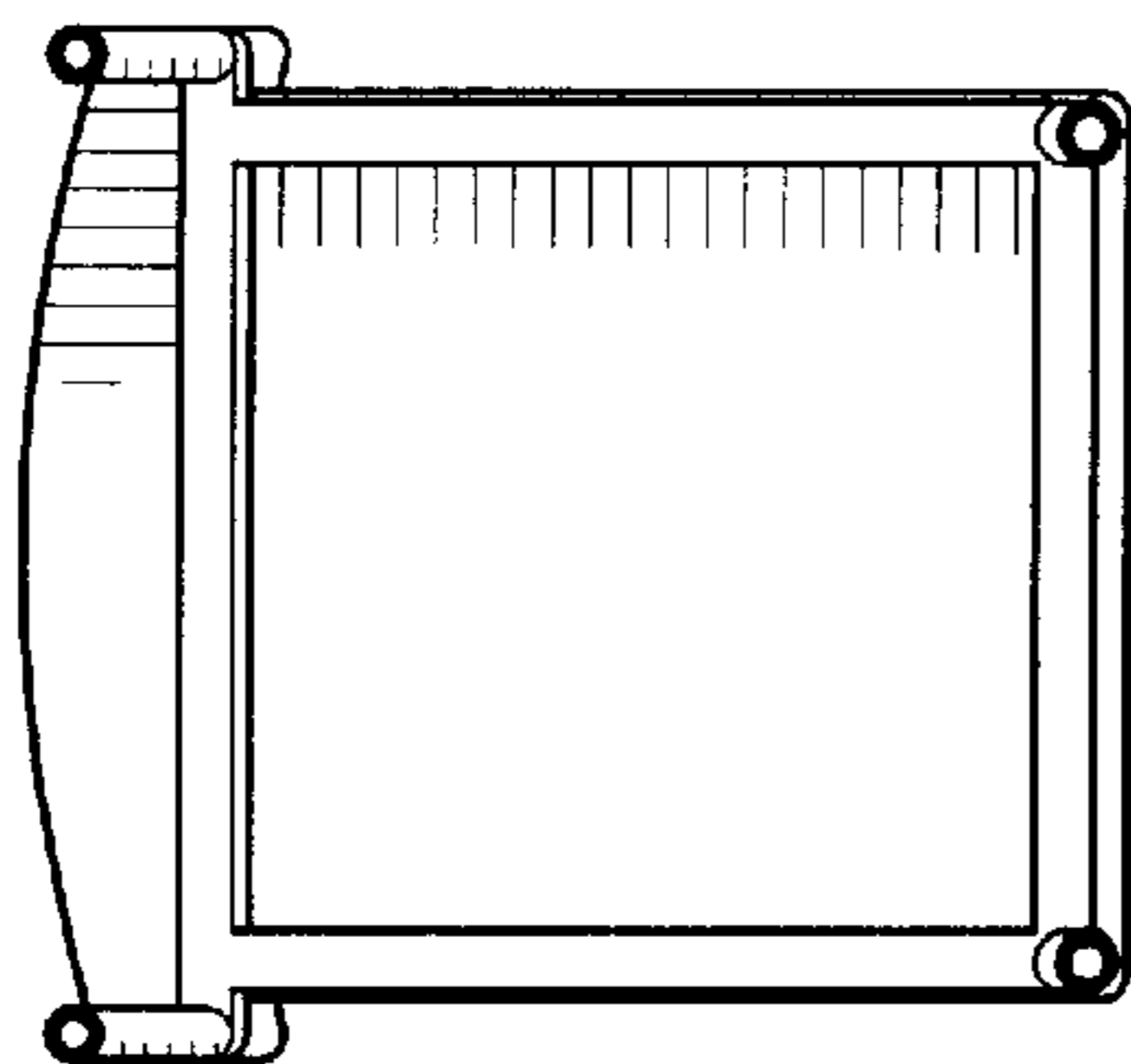


FIG. 4

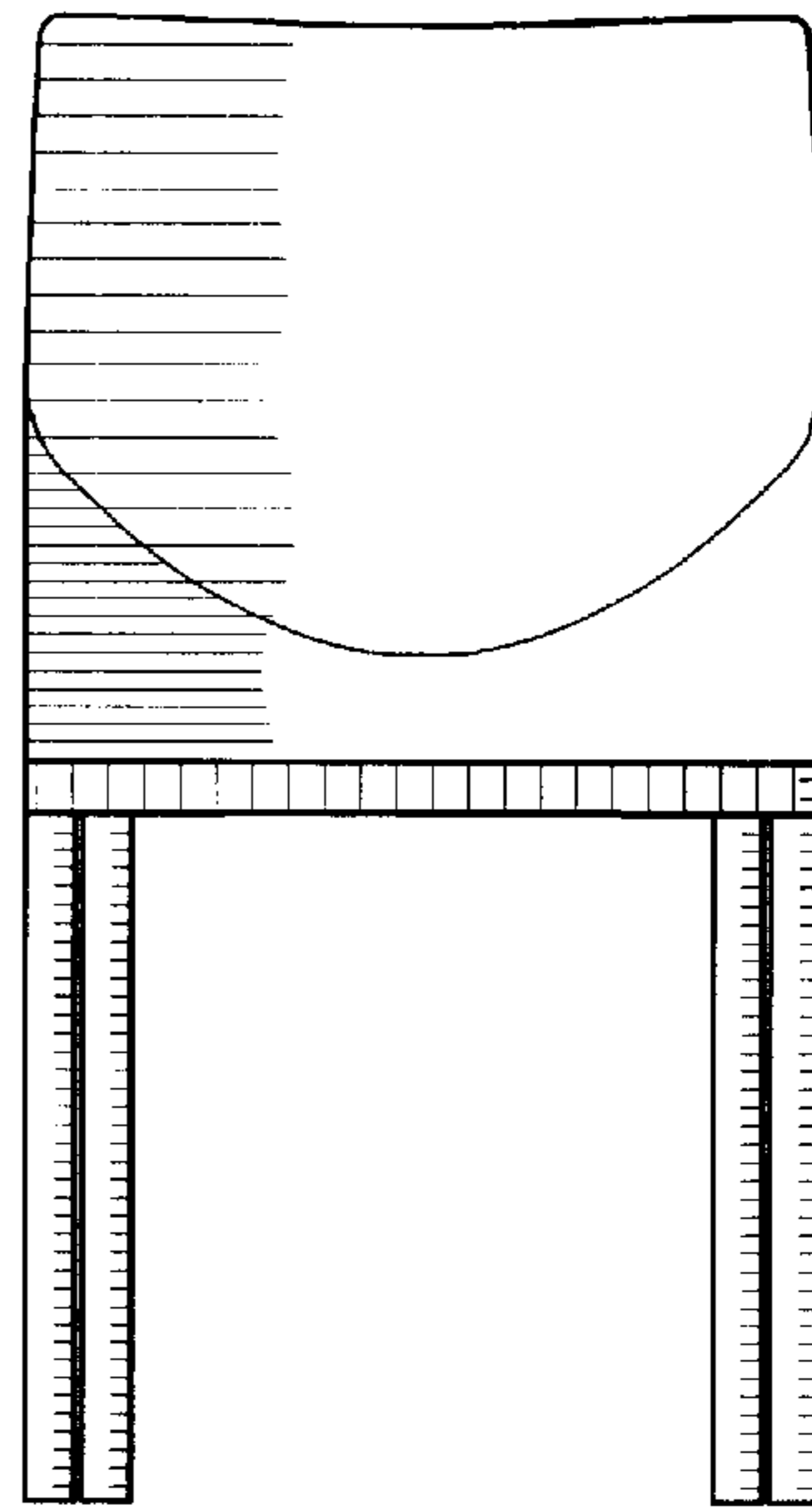


FIG. 5

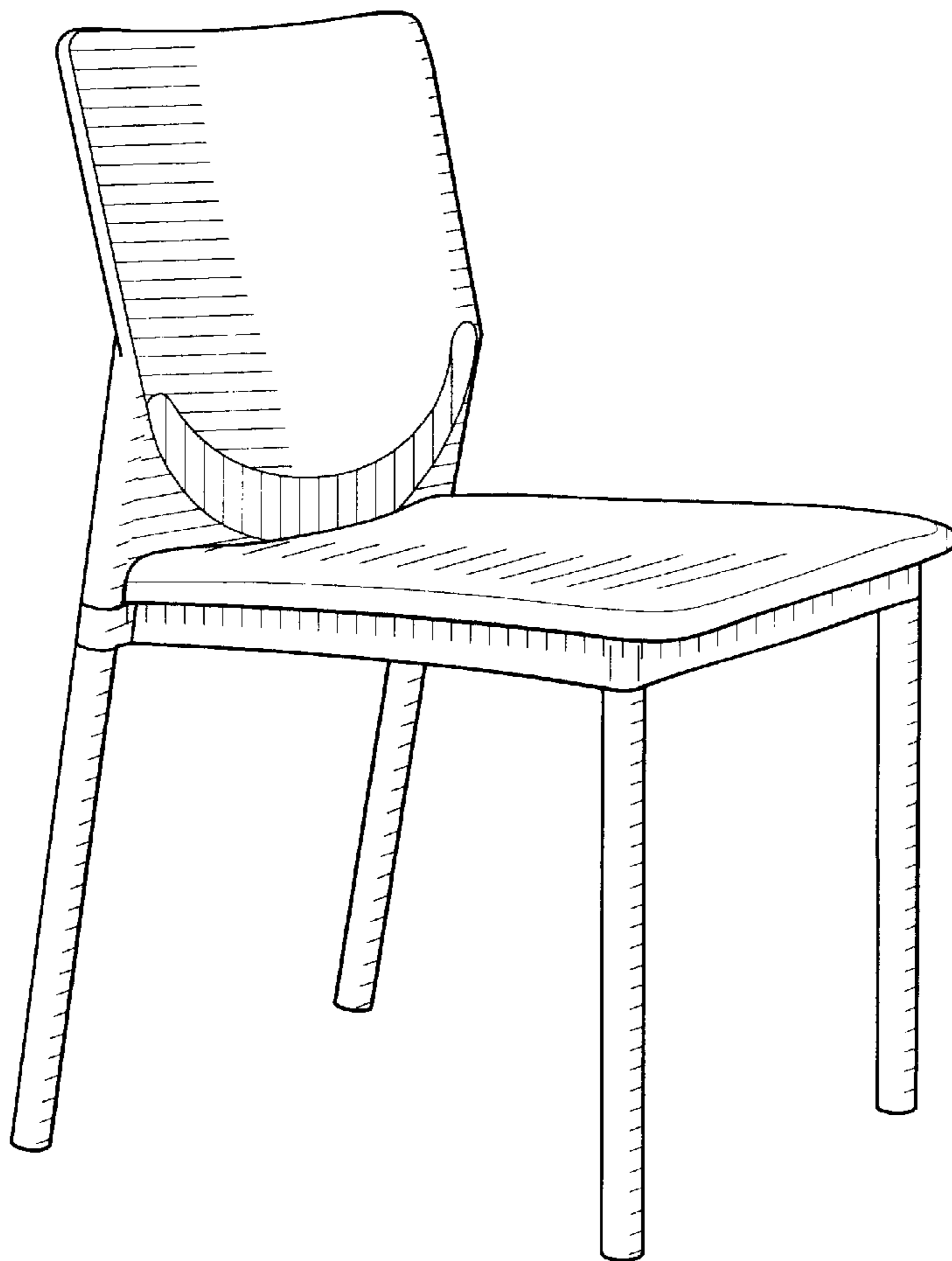


FIG. 6

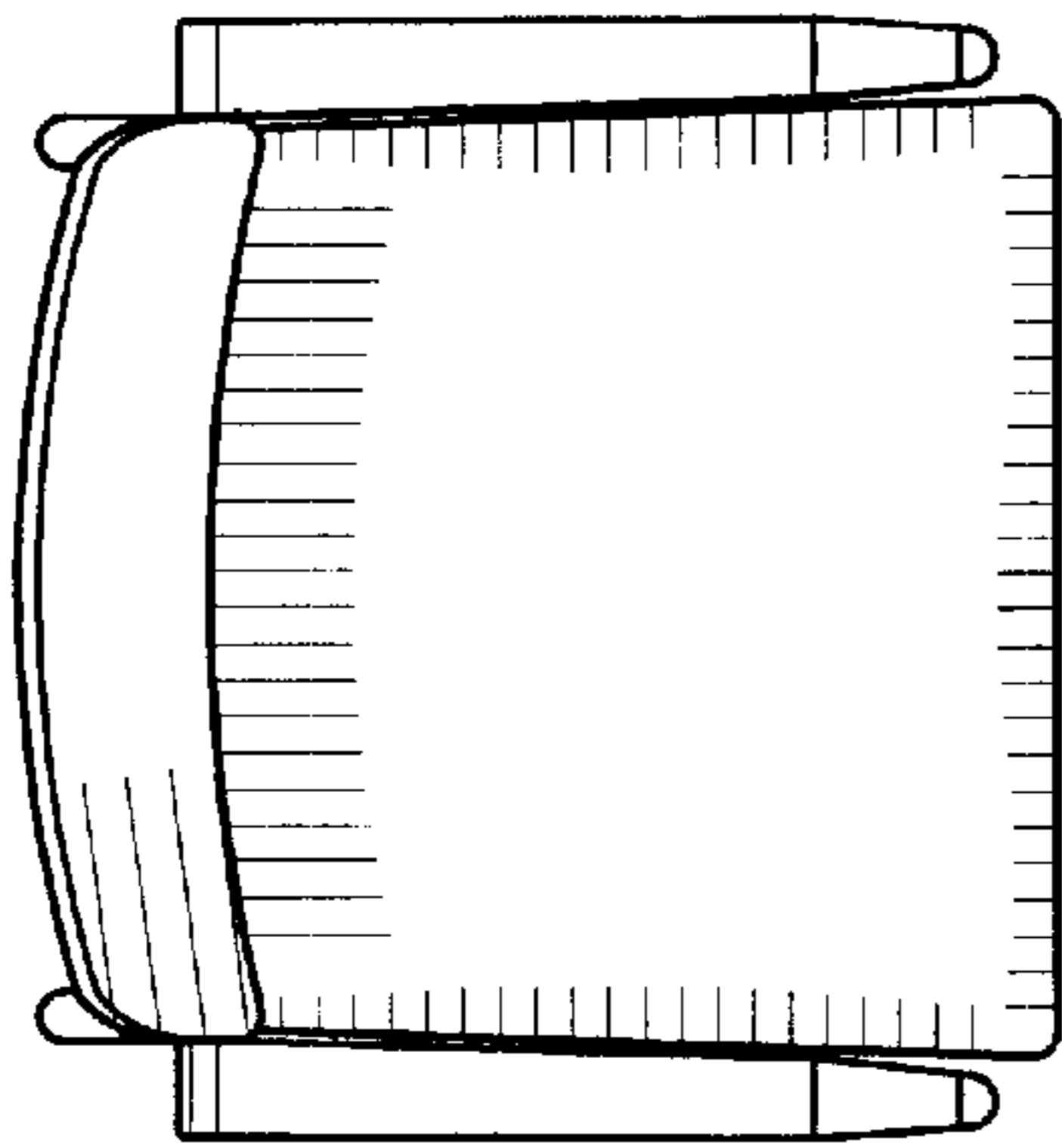


FIG. 7

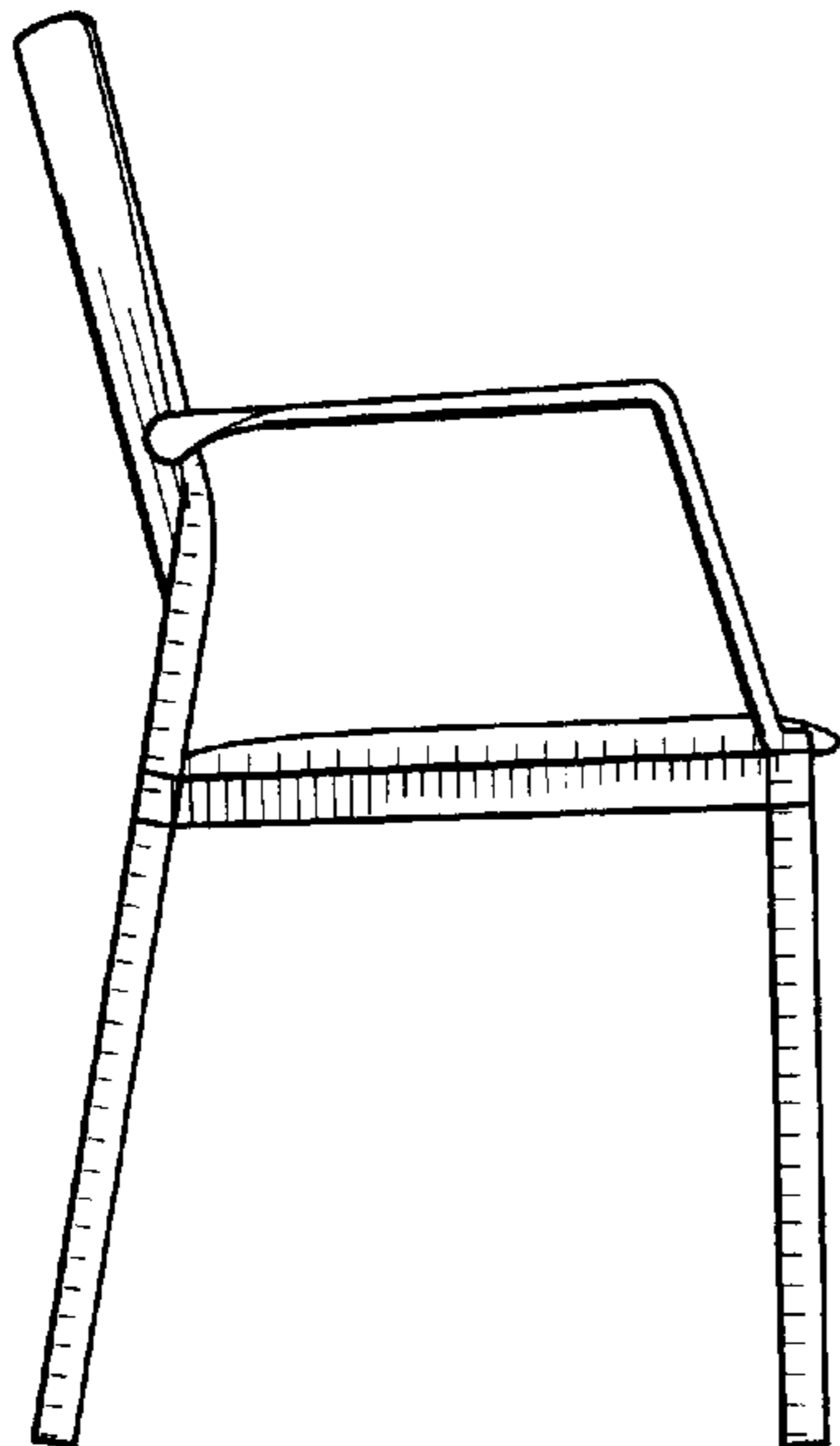


FIG. 9

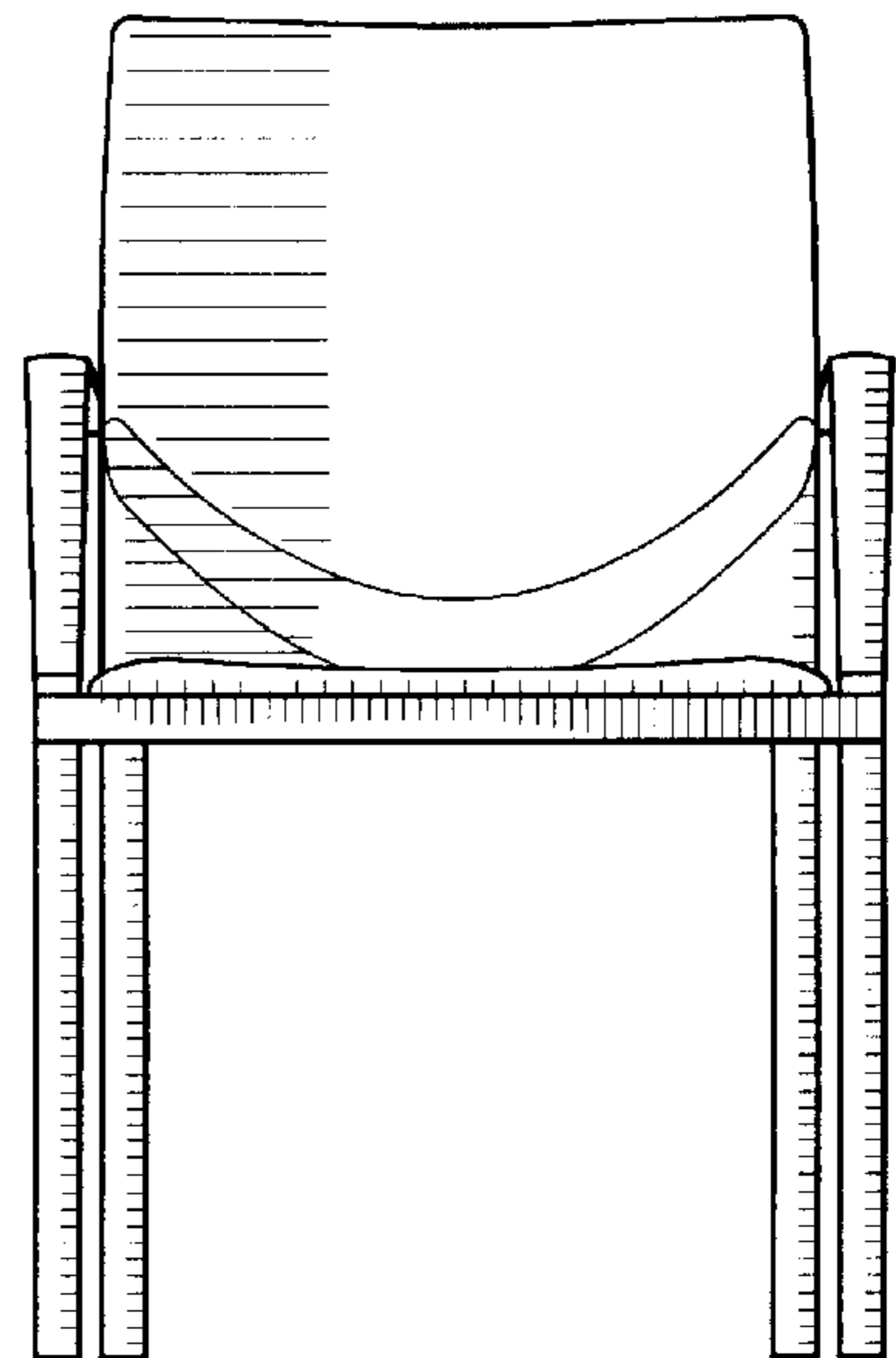


FIG. 8

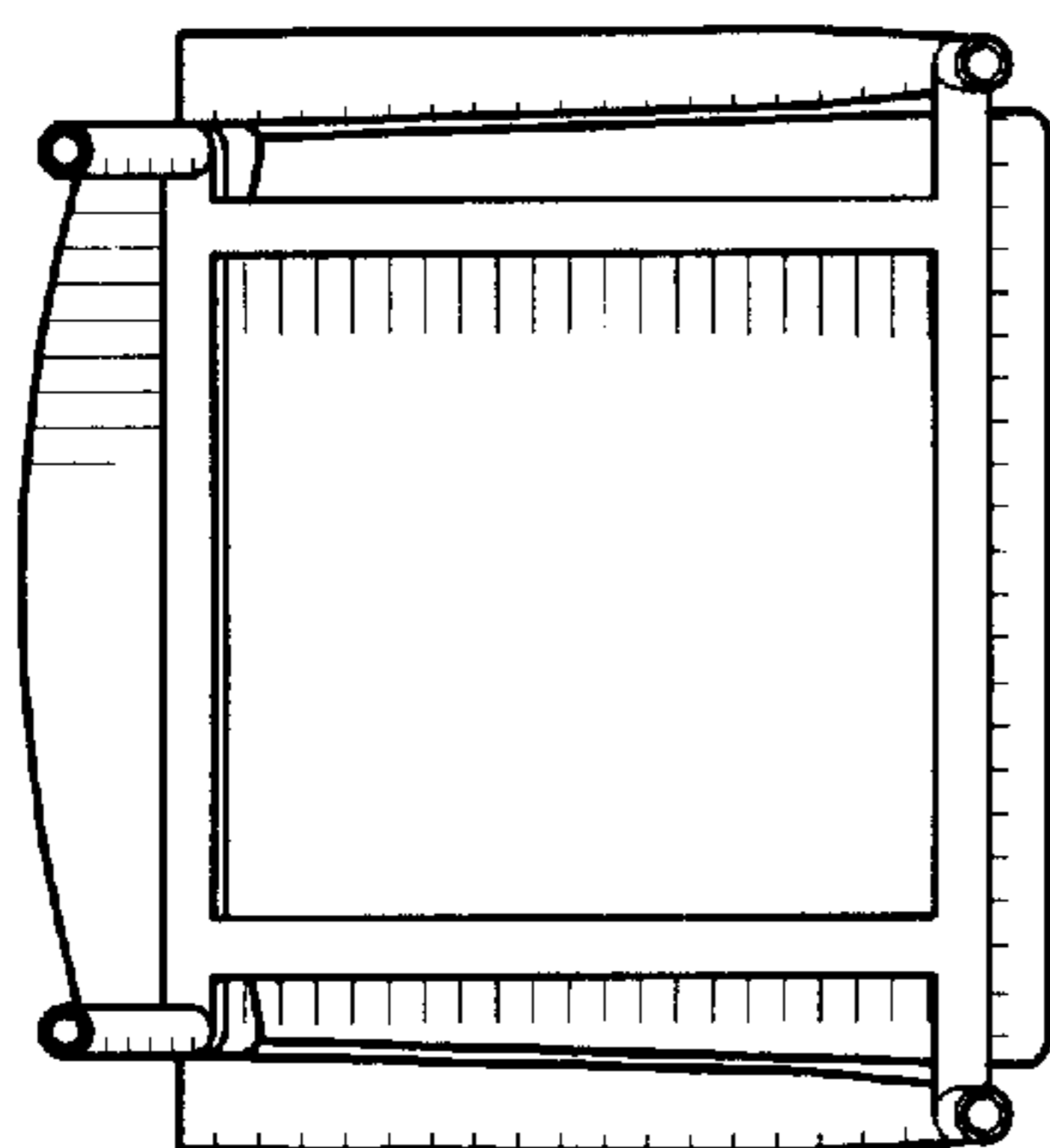


FIG. 10

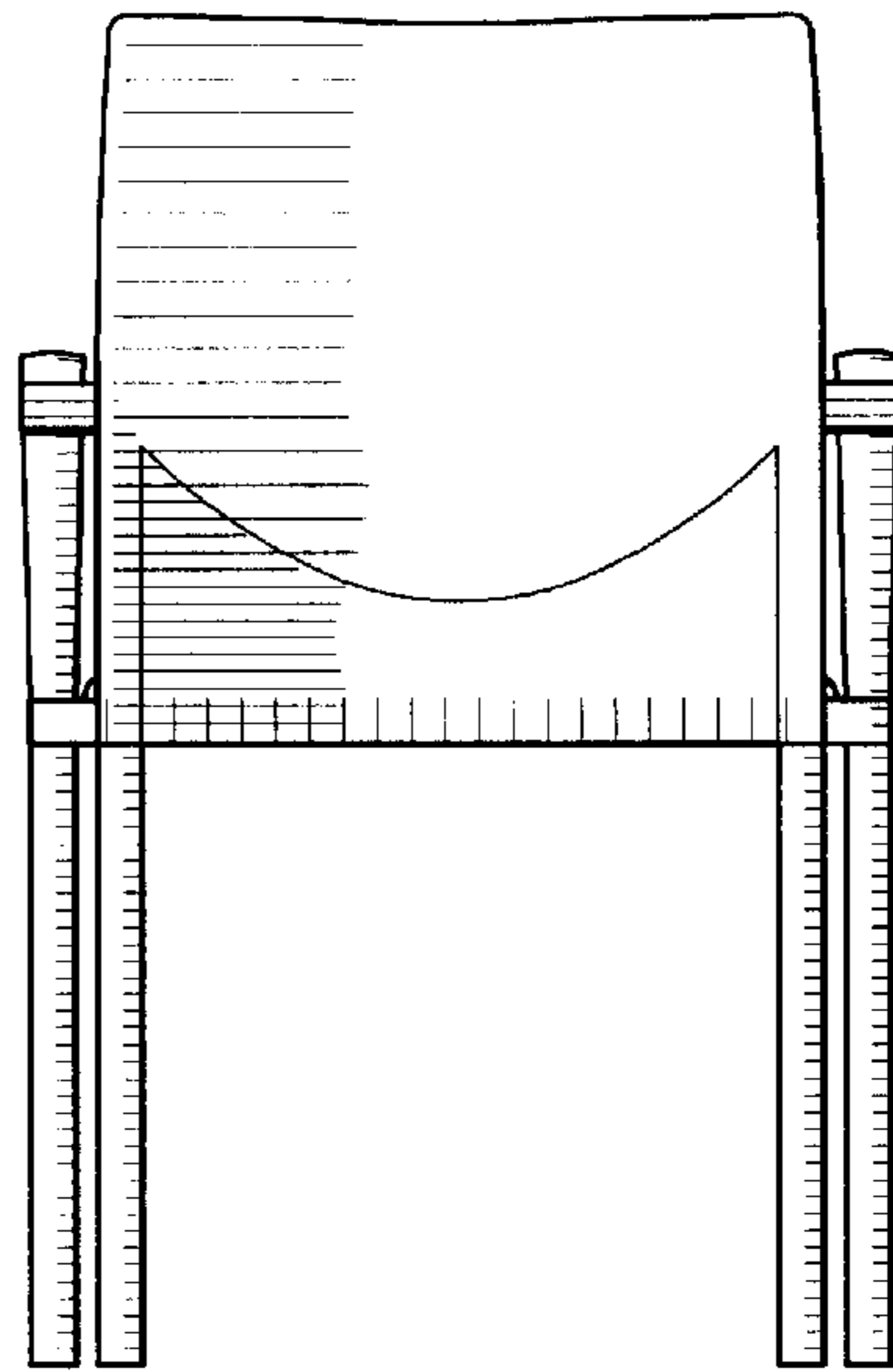


FIG. 11

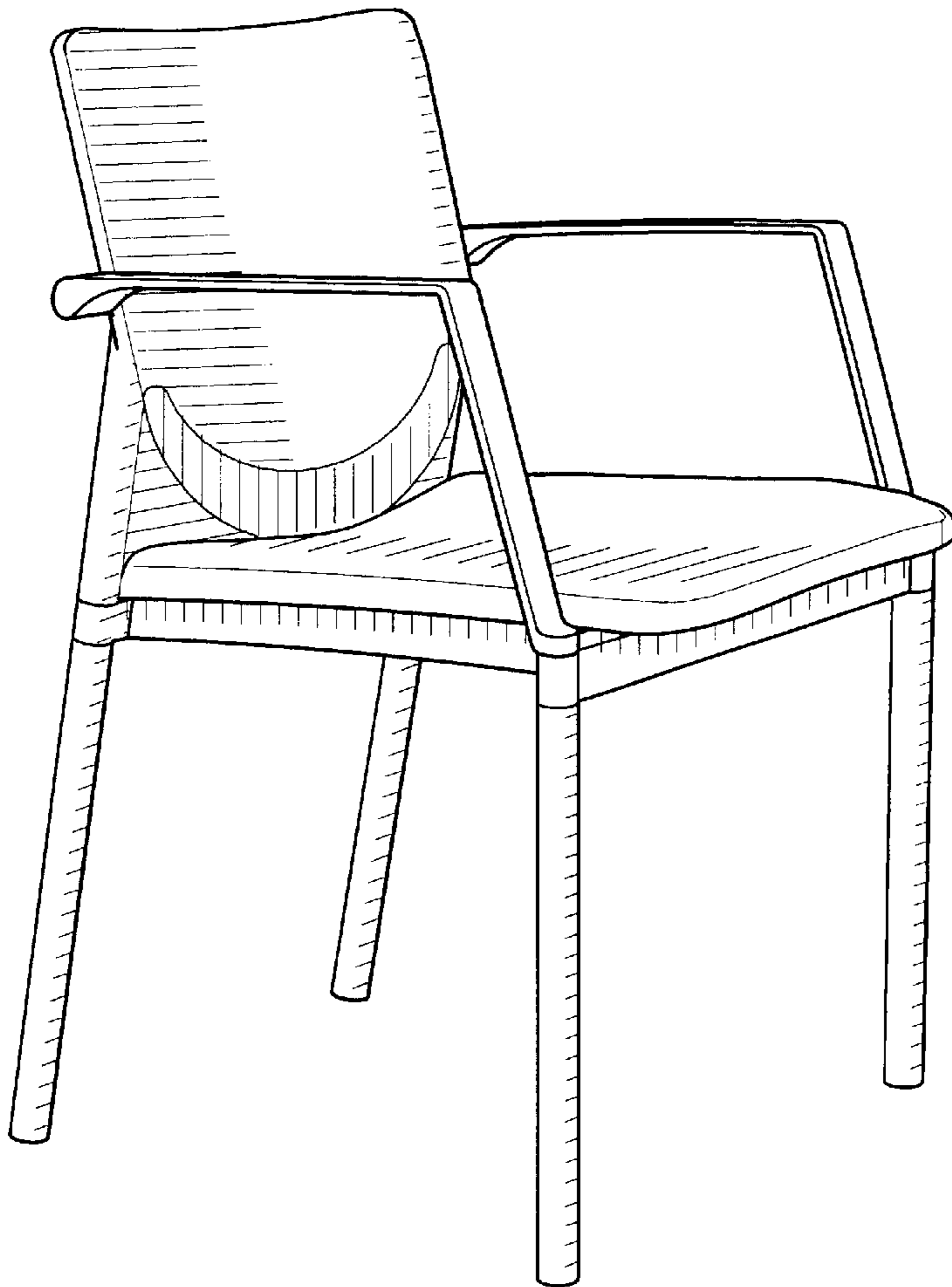


FIG. 12