



US00D470659S

(12) **United States Design Patent**
Story et al.

(10) **Patent No.:** **US D470,659 S**

(45) **Date of Patent:** **** Feb. 25, 2003**

(54) **TOOL BOX**

(75) **Inventors:** **Dave Story**, Bartlett, IL (US); **Jon Fiscus**, Barrington, IL (US); **Shelley Nehrt**, Barrington, IL (US)

(73) **Assignee:** **Stack-On Products Co.**, Wauconda, IL (US)

(**) **Term:** **14 Years**

(21) **Appl. No.:** **29/146,465**

(22) **Filed:** **Aug. 9, 2001**

(51) **LOC (7) Cl.** **03-01**

(52) **U.S. Cl.** **D3/291; D3/281; D3/905**

(58) **Field of Search** **D3/273, 276, 281, D3/282, 291, 294, 905; 206/349, 372, 373, 379**

(56) **References Cited**

U.S. PATENT DOCUMENTS

3,612,335 A	10/1971	Schurman	
D306,096 S	* 2/1990	Dickinson et al. D3/281
4,927,016 A	5/1990	Fuller 206/315.11
D315,445 S	3/1991	Lanius D3/905
D321,433 S	* 11/1991	Dickinson D3/281
D378,874 S	* 4/1997	Dickinson et al. D3/281
D386,903 S	12/1997	Curry et al. D3/282

D400,010 S	10/1998	Vasudeva D3/276
D404,916 S	* 2/1999	Dickinson et al. D3/281
5,887,715 A	3/1999	Vasudeva 206/373
D413,203 S	8/1999	Zurwelle et al. D3/276
D418,294 S	1/2000	Tanji D3/276
D428,254 S	7/2000	Alexander-Katz D3/274
D428,698 S	8/2000	Cheng D3/279
D431,108 S	* 9/2000	Lewis et al. D3/276
D431,112 S	9/2000	Ahern et al. D3/323
D434,224 S	11/2000	Tiramani et al. D3/279
D434,225 S	11/2000	Story et al. D3/281

* cited by examiner

Primary Examiner—Philip S. Hyder

(74) *Attorney, Agent, or Firm*—Patzik, Frank & Samotny

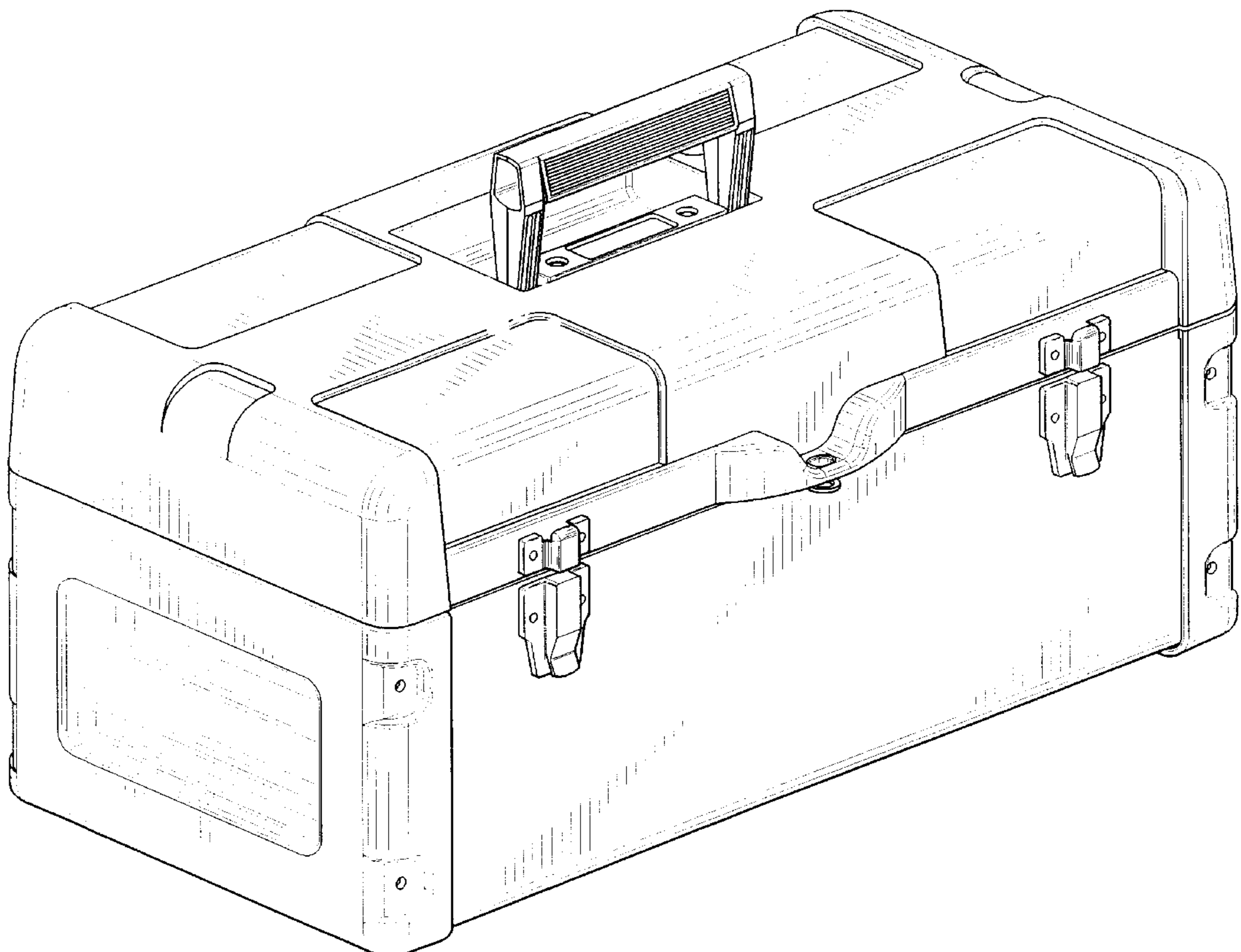
(57) **CLAIM**

The ornamental design for a tool box, as shown.

DESCRIPTION

FIG. 1 is a front perspective view of a tool box showing the new ornamental design thereof;
FIG. 2 is a rear perspective view thereof;
FIG. 3 is a top plan view thereof;
FIG. 4 is a bottom plan view thereof;
FIG. 5 is a front elevational plan view thereof; and,
FIG. 6 is a back elevational plan view thereof.

1 Claim, 6 Drawing Sheets



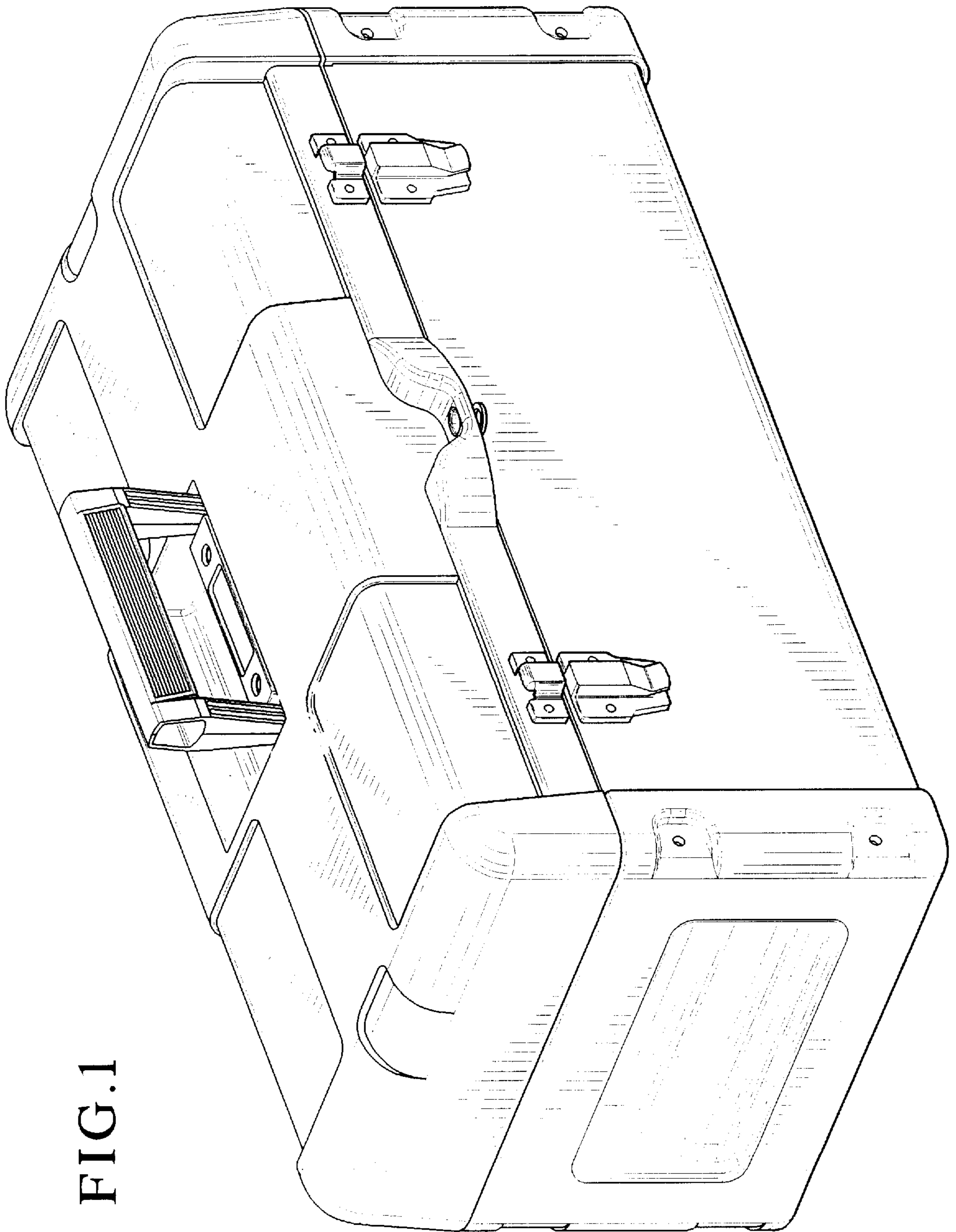


FIG.1

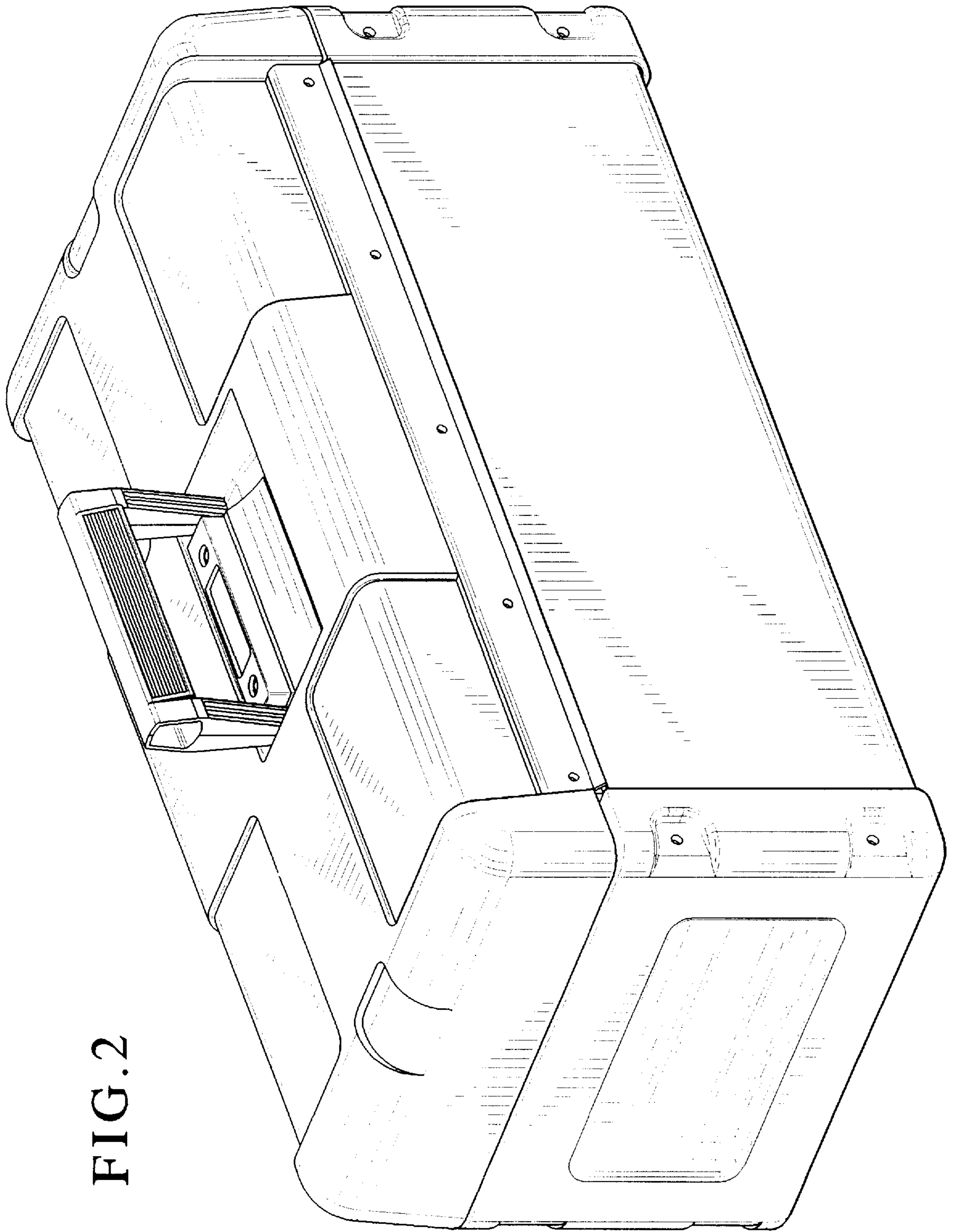


FIG. 2

FIG. 3

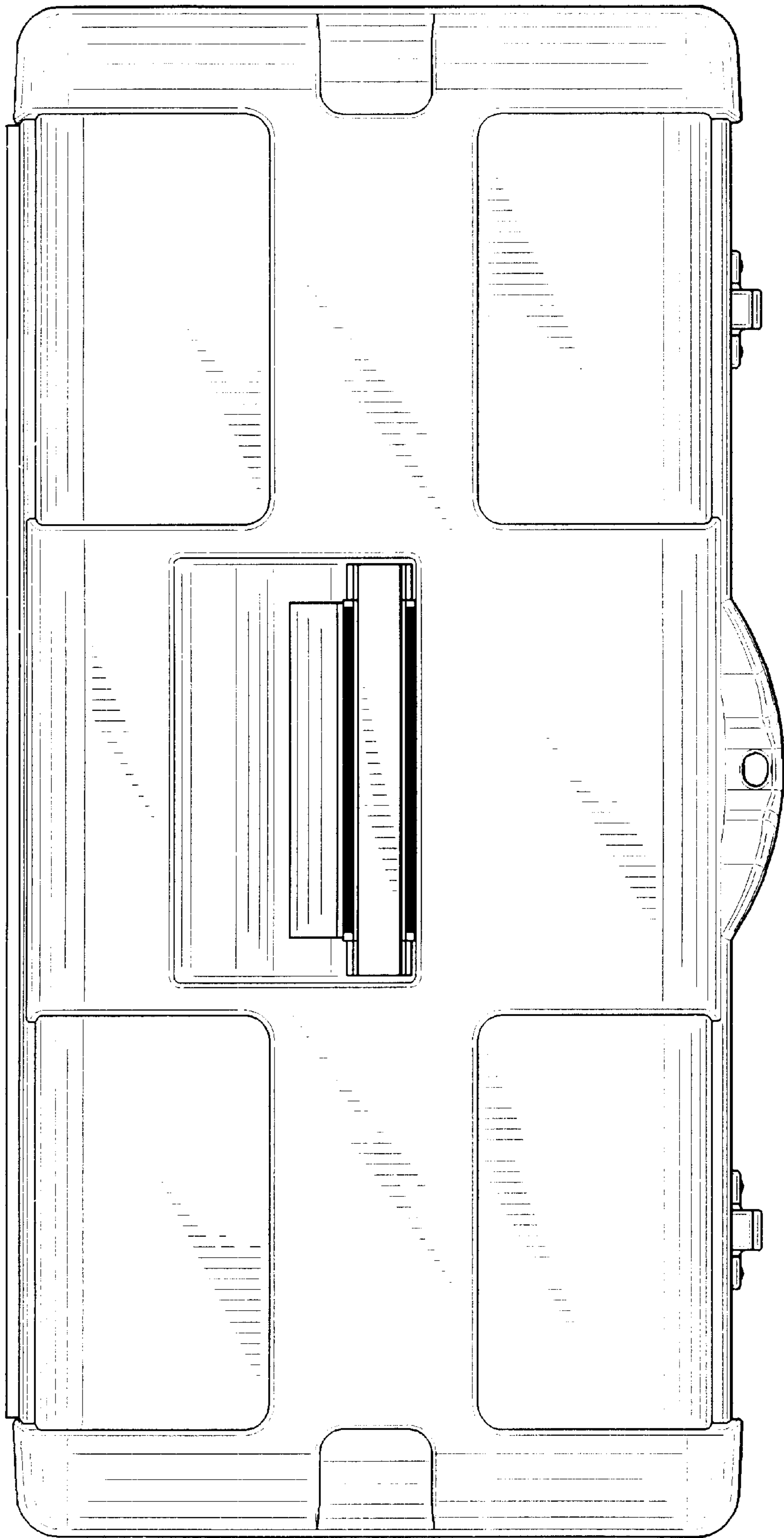


FIG. 4

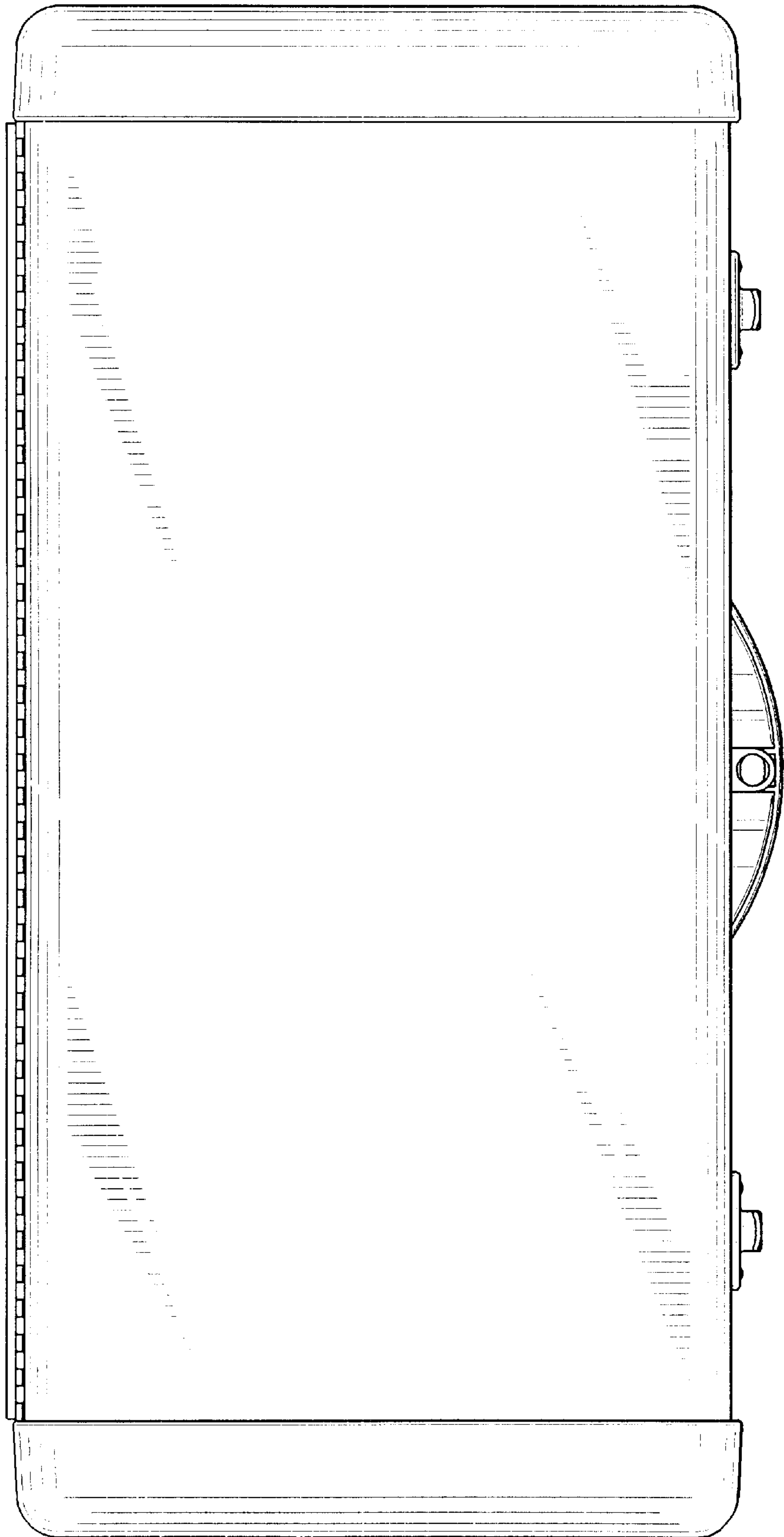


FIG. 5

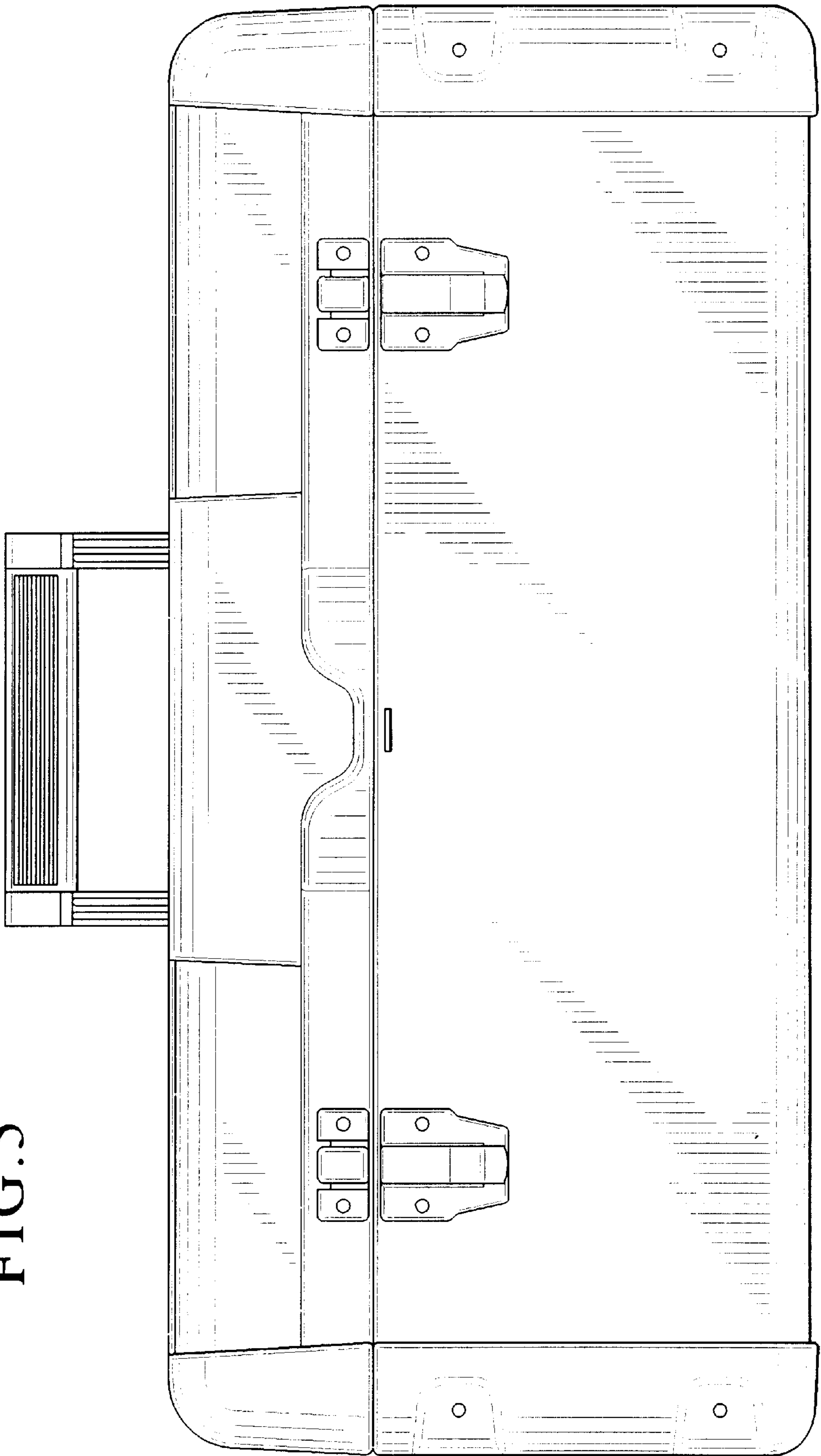


FIG. 6

