



US00D470658S

(12) **United States Design Patent**  
**Chunn et al.**

(10) **Patent No.:** **US D470,658 S**

(45) **Date of Patent:** **\*\* Feb. 25, 2003**

(54) **MOLDED TOOL CASE**

(75) Inventors: **Daniel Alex Chunn**, Kowloon (HK);  
**Tailun Kam Lun Sham**, Tai Po (HK)

(73) Assignee: **One World Technologies Limited**  
(BM)

(\*\*) Term: **14 Years**

(21) Appl. No.: **29/156,006**

(22) Filed: **Feb. 21, 2002**

(51) **LOC (7) Cl.** ..... **03-01**

(52) **U.S. Cl.** ..... **D3/282**

(58) **Field of Search** ..... D3/273, 276, 281,  
D3/282, 292, 905; 206/349, 372, 373; 190/100,  
110, 111

(56) **References Cited**

**U.S. PATENT DOCUMENTS**

D194,339 S	*	1/1963	Harty, Jr.	.....	D3/282
D321,985 S		12/1991	Ward	.....	D3/282
D328,189 S	*	7/1992	Hillinger	.....	D3/282
D343,063 S	*	1/1994	Chen	.....	D3/282
D347,731 S		6/1994	Hayakawa et al.	.....	D3/282
D358,257 S		5/1995	Sidabras et al.	.....	D3/282
D385,109 S		10/1997	Staheli	.....	D3/282

D391,760 S		3/1998	Zeller	.....	D3/282
D406,192 S		3/1999	Schurman	.....	D3/282
D413,203 S		8/1999	Zurwelle et al.	.....	D3/282
D413,449 S		9/1999	Schurman	.....	D3/282
D417,338 S		12/1999	Main	.....	D3/282
D417,781 S		12/1999	Staheli	.....	D3/282
D418,678 S		1/2000	Robson	.....	D3/282
D426,705 S	*	6/2000	Fang	.....	D3/276
D440,043 S		4/2001	Miller et al.	.....	D3/282
6,267,238 B1		7/2001	Miller et al.	.....	206/349

\* cited by examiner

*Primary Examiner*—Philip S. Hyder

(74) *Attorney, Agent, or Firm*—Brooks & Kushman P.C.

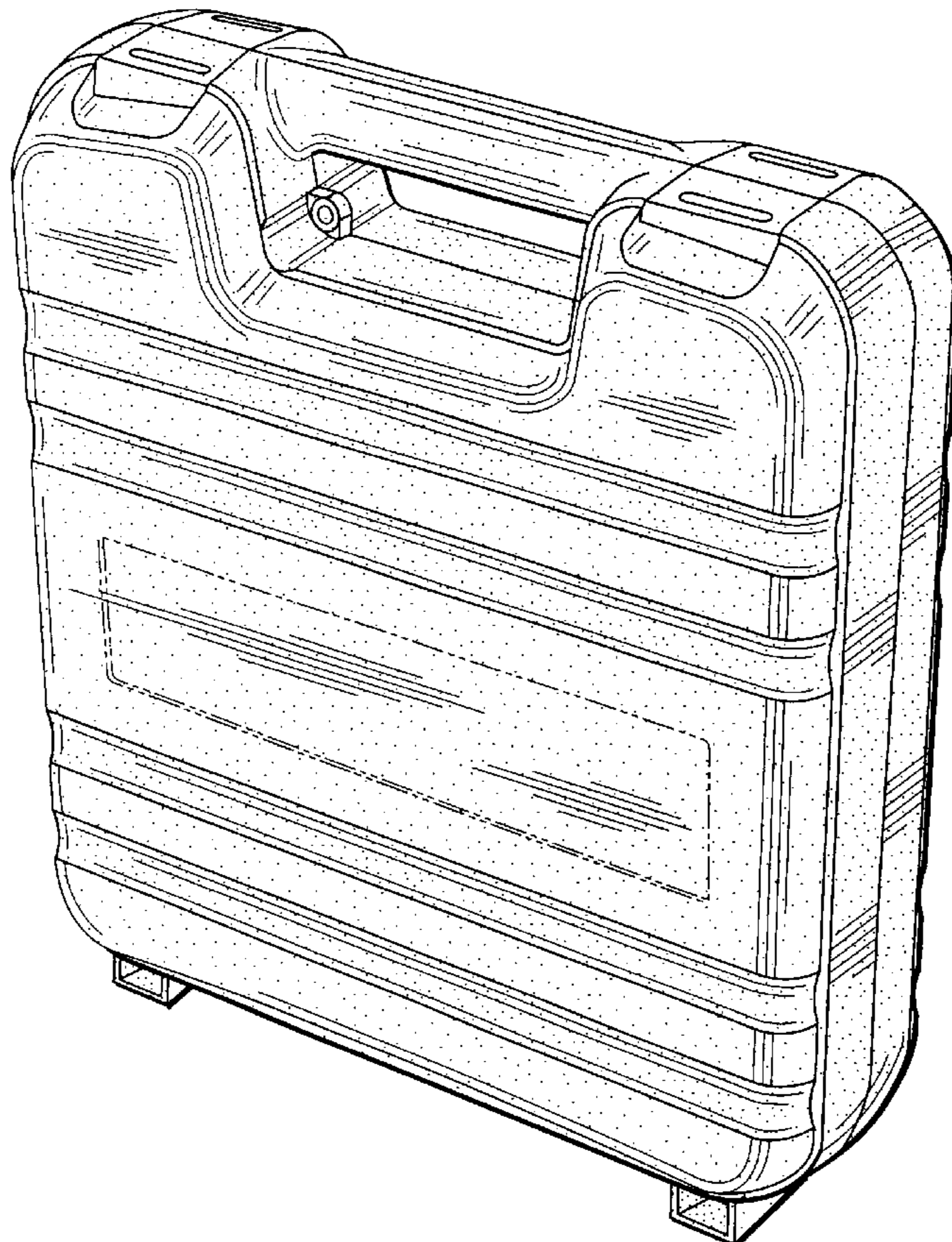
(57) **CLAIM**

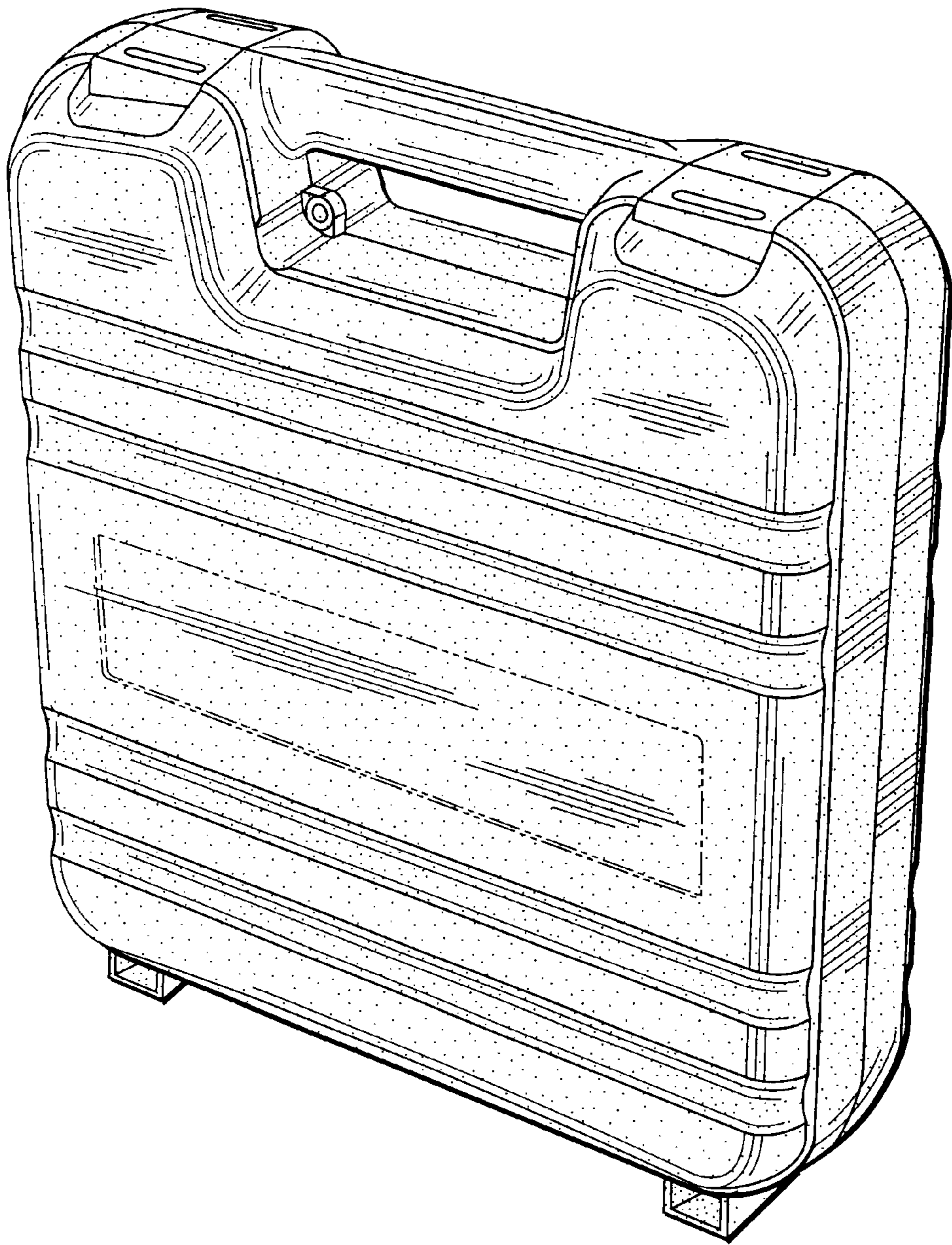
The ornamental design for a molded tool case, as shown.

**DESCRIPTION**

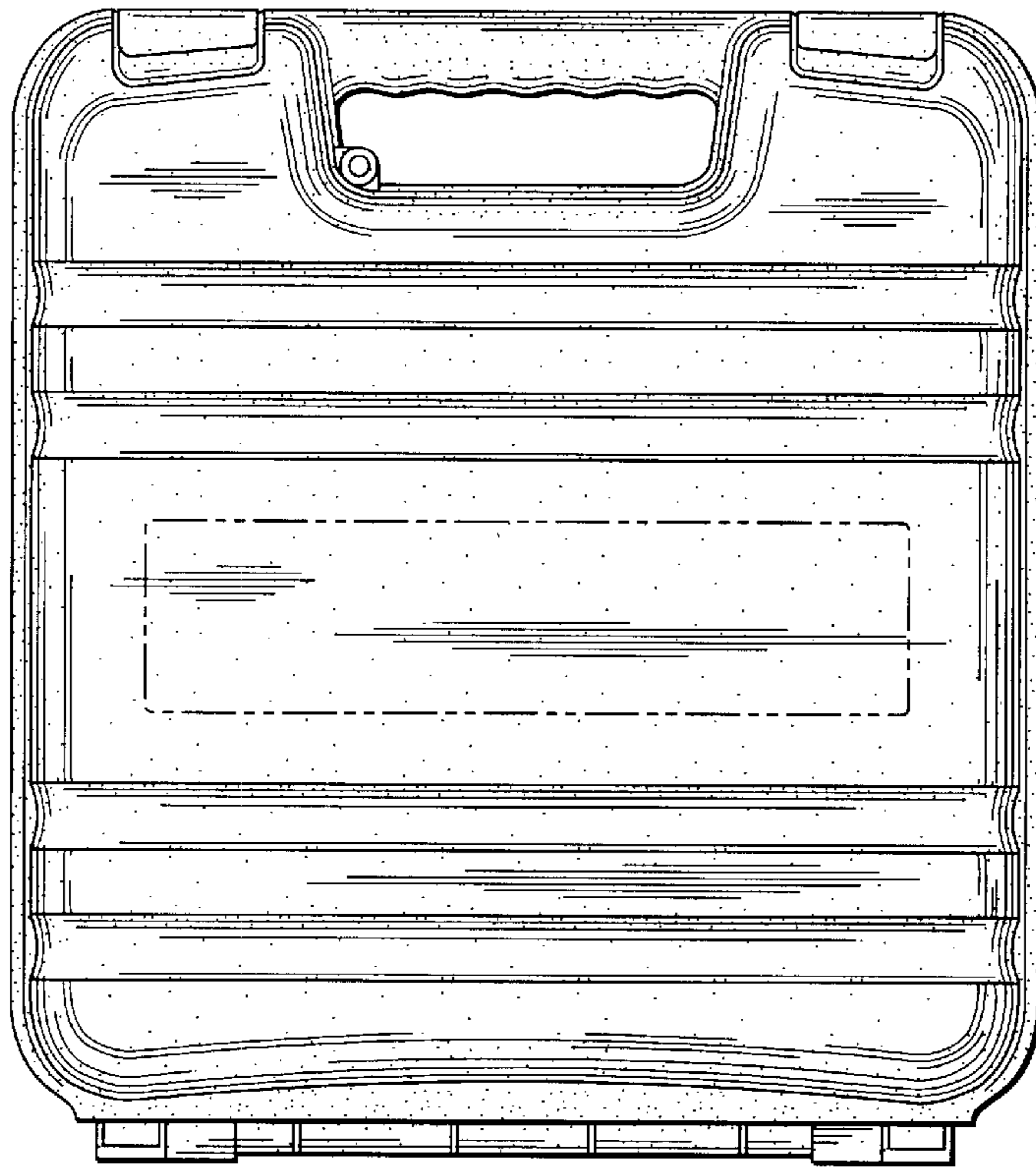
FIG. 1 is a perspective view of the molded tool case thereof;  
FIG. 2 is a front elevational view thereof;  
FIG. 3 is a rear elevational view thereof;  
FIG. 4 is a left side elevational view thereof;  
FIG. 5 is a right side elevational view thereof;  
FIG. 6 is a top plan view thereof; and,  
FIG. 7 is a bottom plan view thereof of the present invention.

**1 Claim, 3 Drawing Sheets**

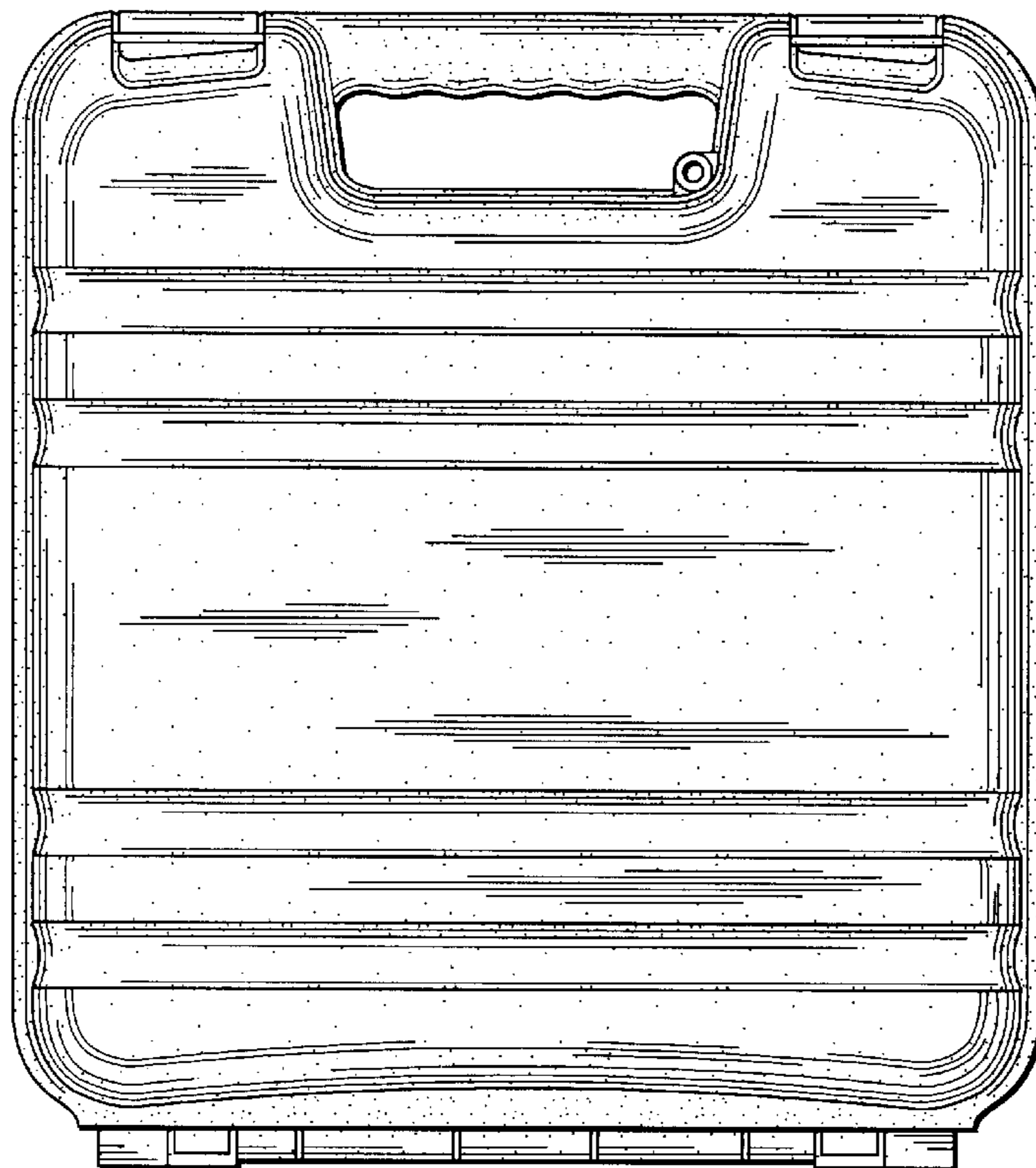




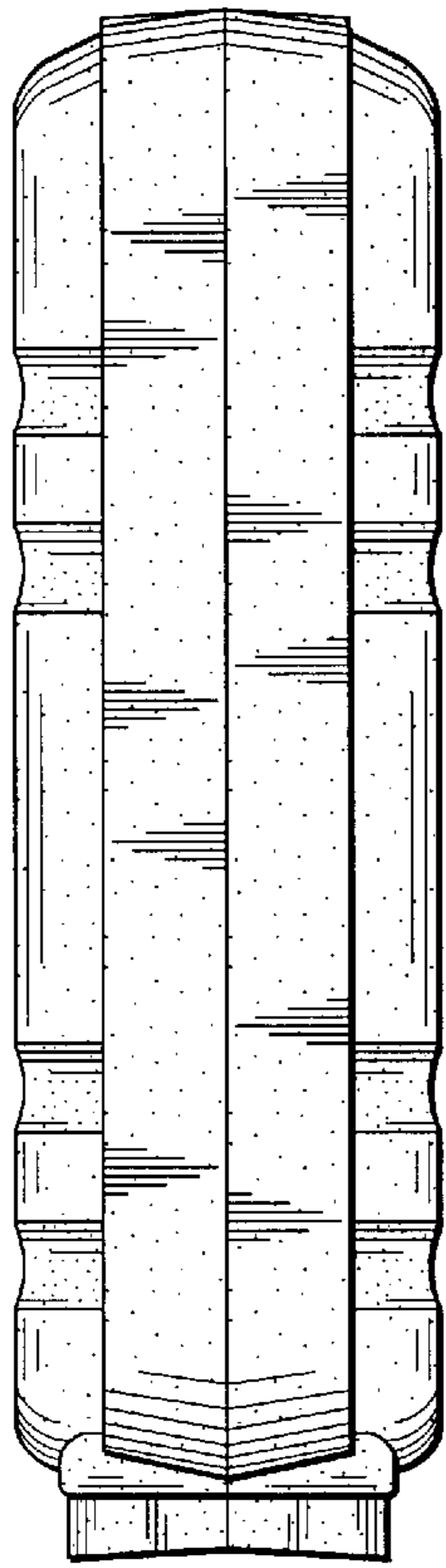
*Fig. 1*



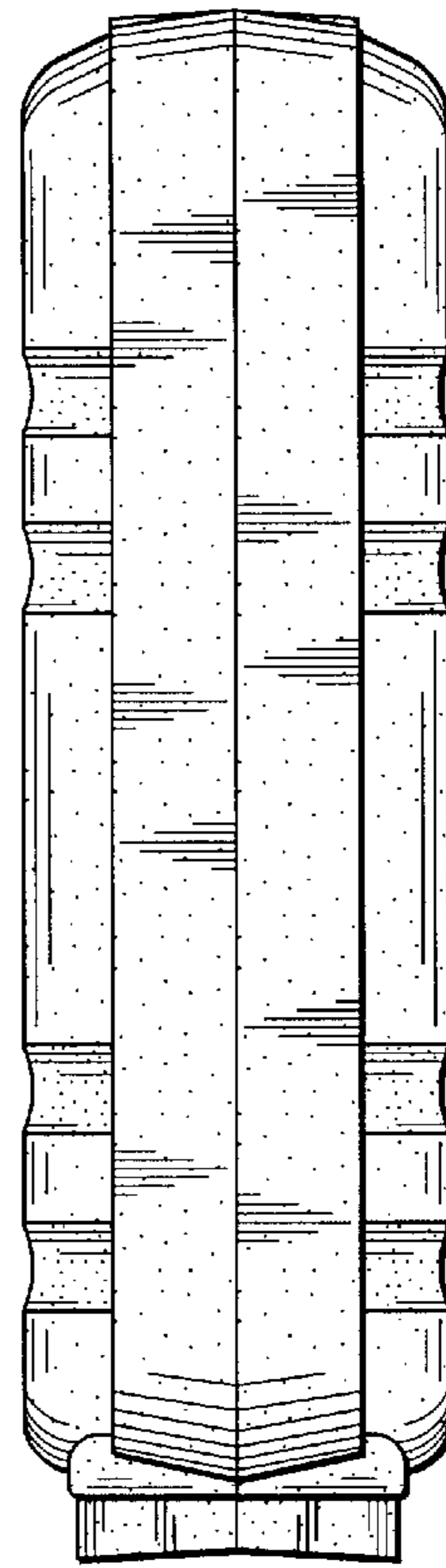
*Fig. 2*



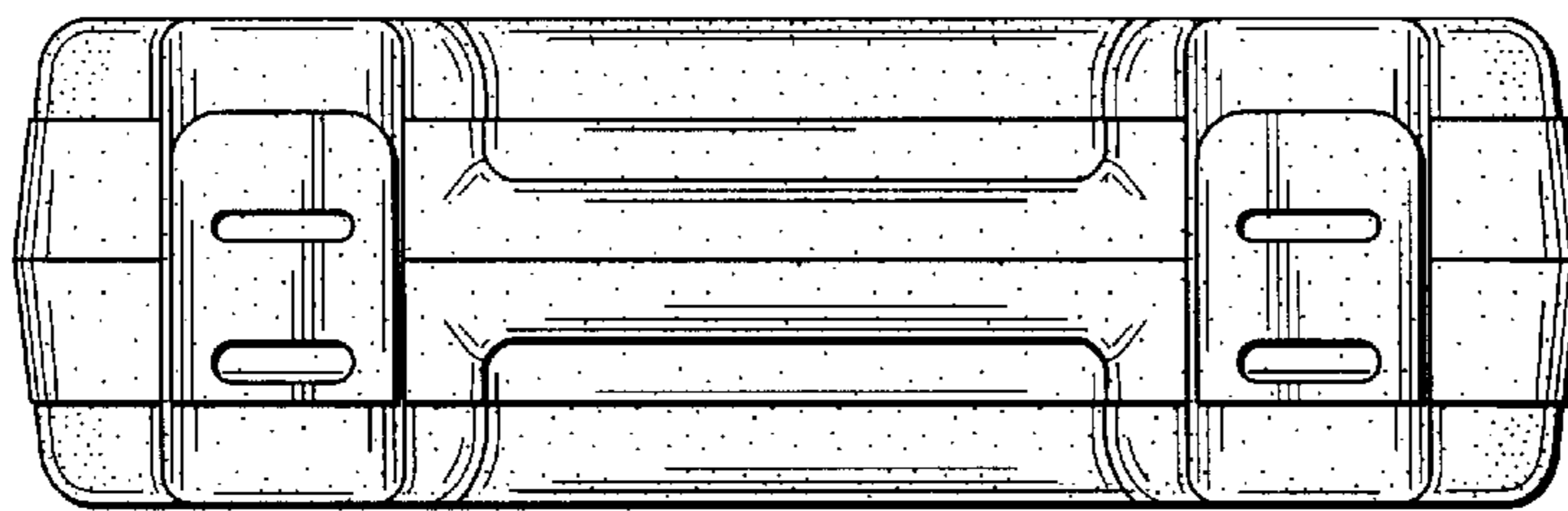
*Fig. 3*



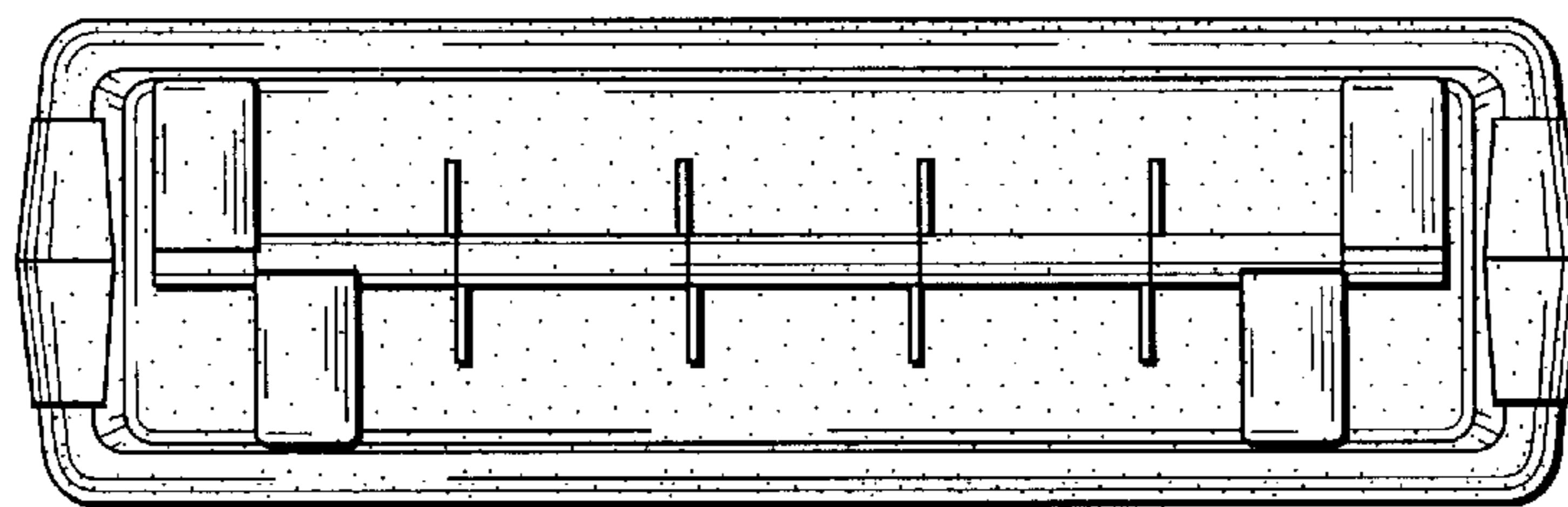
*Fig. 4*



*Fig. 5*



*Fig. 6*



*Fig. 7*