



US00D470657S

(12) **United States Design Patent**
Kawamura

(10) **Patent No.:** **US D470,657 S**

(45) **Date of Patent:** **** *Feb. 25, 2003**

(54) **CARD CASE**

(75) Inventor: **Ryoji Kawamura**, Taipei (TW)

(73) Assignee: **YKK Corporation**, Tokyo (JP)

(*) Notice: This patent is subject to a terminal disclaimer.

(**) Term: **14 Years**

(21) Appl. No.: **29/140,125**

(22) Filed: **Apr. 13, 2001**

(30) **Foreign Application Priority Data**

Oct. 31, 2000 (JP) 2000-031046

(51) **LOC (7) Cl.** **03-01**

(52) **U.S. Cl.** **D3/247; D11/216**

(58) **Field of Search** D3/247-253; 150/132, 150/145, 147, 148, 149; 40/124.06; 206/6, 37, 39, 39.4, 39.5, 449; D11/200, 216

(56) **References Cited**

U.S. PATENT DOCUMENTS

480,509	A	*	8/1892	Pickering	206/39
5,125,505	A	*	6/1992	Kurosaki	206/39.4
D349,664	S	*	8/1994	Ueno	D11/216
5,531,324	A	*	7/1996	Kosaki et al.	206/449
D373,747	S	*	9/1996	Anscher	D11/216
5,960,944	A	*	10/1999	Plocher	206/39.4
D420,620	S	*	2/2000	Riley	D11/216
6,121,544	A	*	9/2000	Petsinger	150/147 X
6,230,879	B1	*	5/2001	Lin	206/39.4

* cited by examiner

Primary Examiner—Louis S. Zarfes

Assistant Examiner—Monica A. Weingart

(74) *Attorney, Agent, or Firm*—Finnegan, Henderson, Farabow, Garrett & Dunner LLP

(57) **CLAIM**

The ornamental design for a card case, as shown and described.

DESCRIPTION

FIG. 1 is a front view of a card case according to the present invention.

FIG. 2 is a rear view of the card case of FIG. 1.

FIG. 3 is a plan view of the card case of FIG. 1.

FIG. 4 is a base view of the case of FIG. 1.

FIG. 5 is a right side view of the card case of FIG. 1.

FIG. 6 is a cross-sectional view taken on line 6—6 of FIG. 5.

FIG. 7 is a front view of a male member of the card case of FIG. 1.

FIG. 8 is a rear view of the male member of FIG. 7.

FIG. 9 is a plan view of the male member of FIG. 7.

FIG. 10 is a base view of the male member of FIG. 7.

FIG. 11 is a right side view of the male member of FIG. 7.

FIG. 12 is a cross-sectional view taken on line 12—12 of FIG. 7.

FIG. 13 is a cross-sectional view taken on line 13—13 of FIG. 7.

FIG. 14 is a cross-sectional view taken on line 14—14 of FIG. 7.

FIG. 15 is a front view of a female member of the card case of FIG. 1.

FIG. 16 is a plan view of the female member of FIG. 15.

FIG. 17 is a base view of the female member of FIG. 15.

FIG. 18 is a right side view of the female member of FIG. 15.

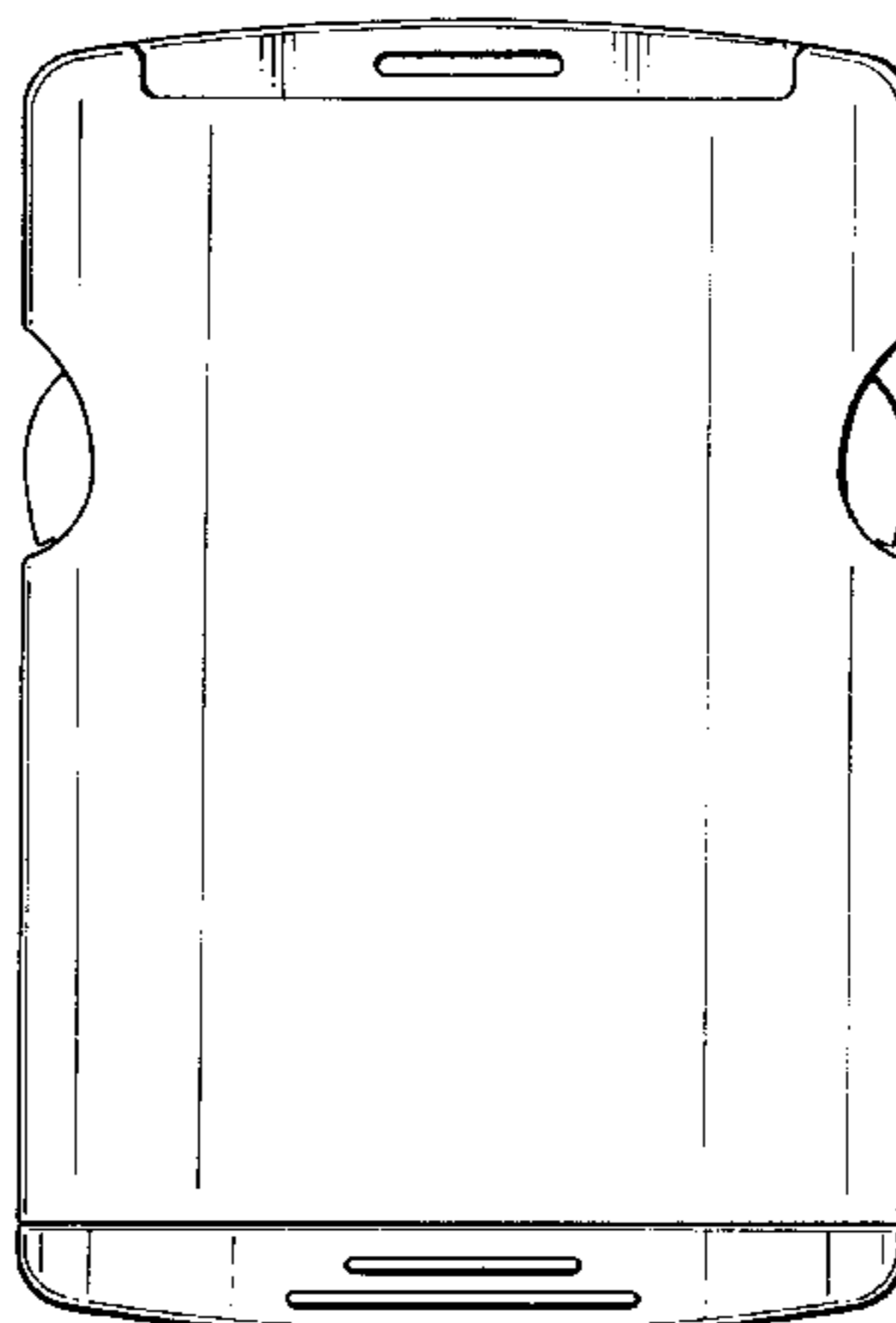
FIG. 19 is a cross-sectional view taken on line 19—19 of FIG. 18.

FIG. 20 is an exploded view of the card case of FIG. 1; and, FIG. 21 is a front perspective view of the card case of FIG. 1.

The male and female members are shown separately, in FIGS. 7—19, for ease of illustration.

The broken line showing of a card and strap in FIG. 20, and a bag in FIG. 21, is for illustrative purposes only and forms no part of the claimed design.

1 Claim, 6 Drawing Sheets



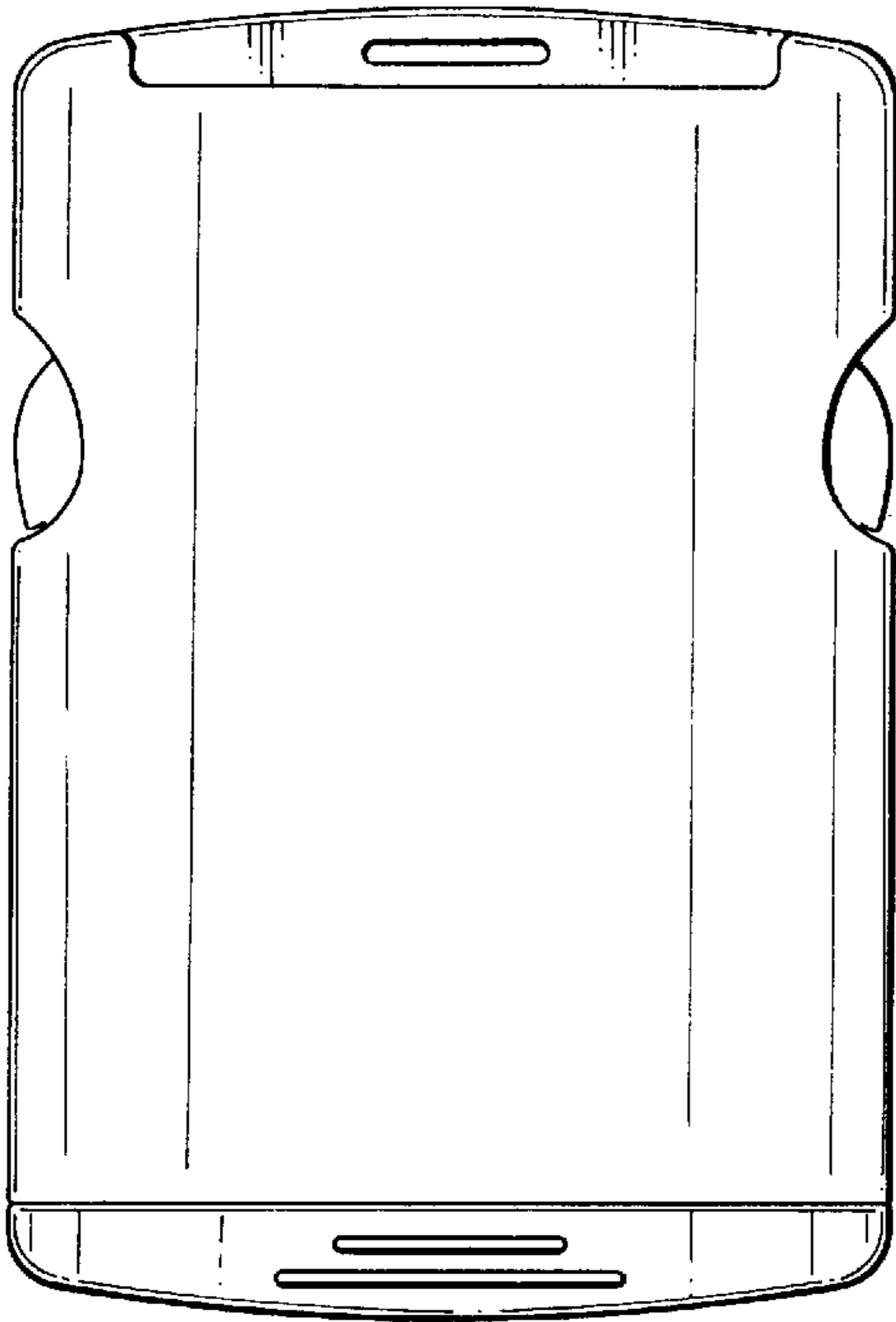


FIG. 1

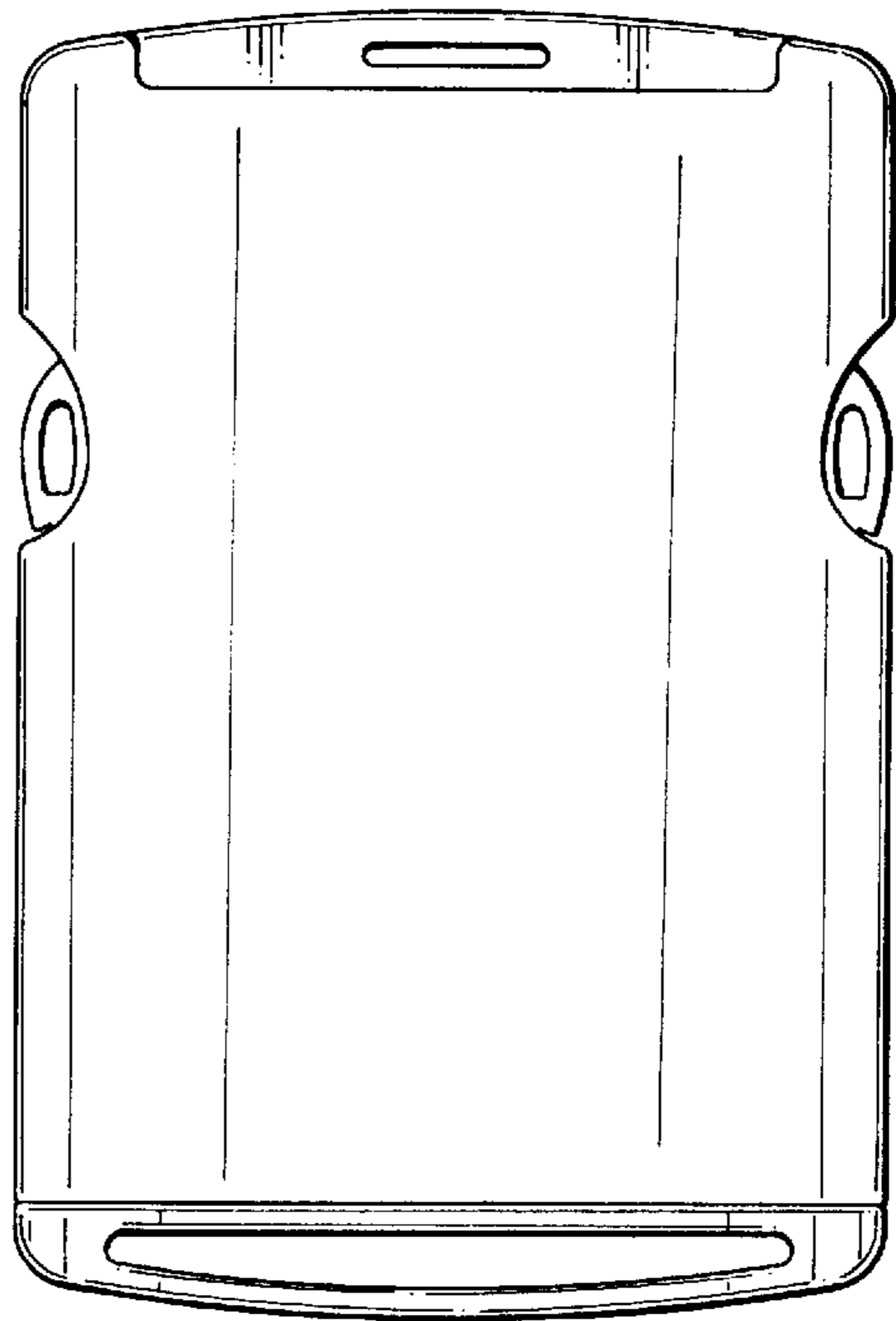


FIG. 2

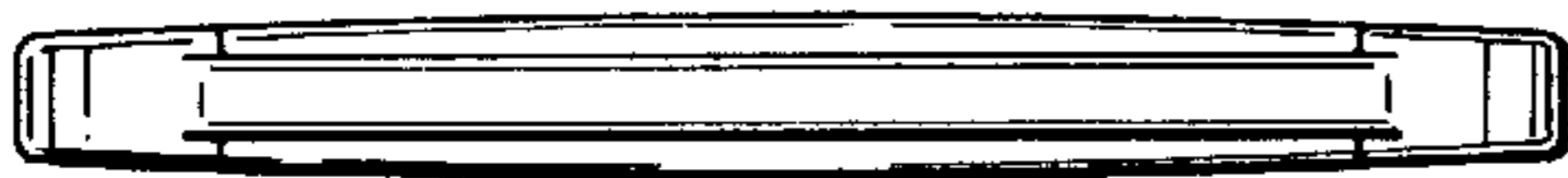


FIG. 3



FIG. 4



FIG. 5

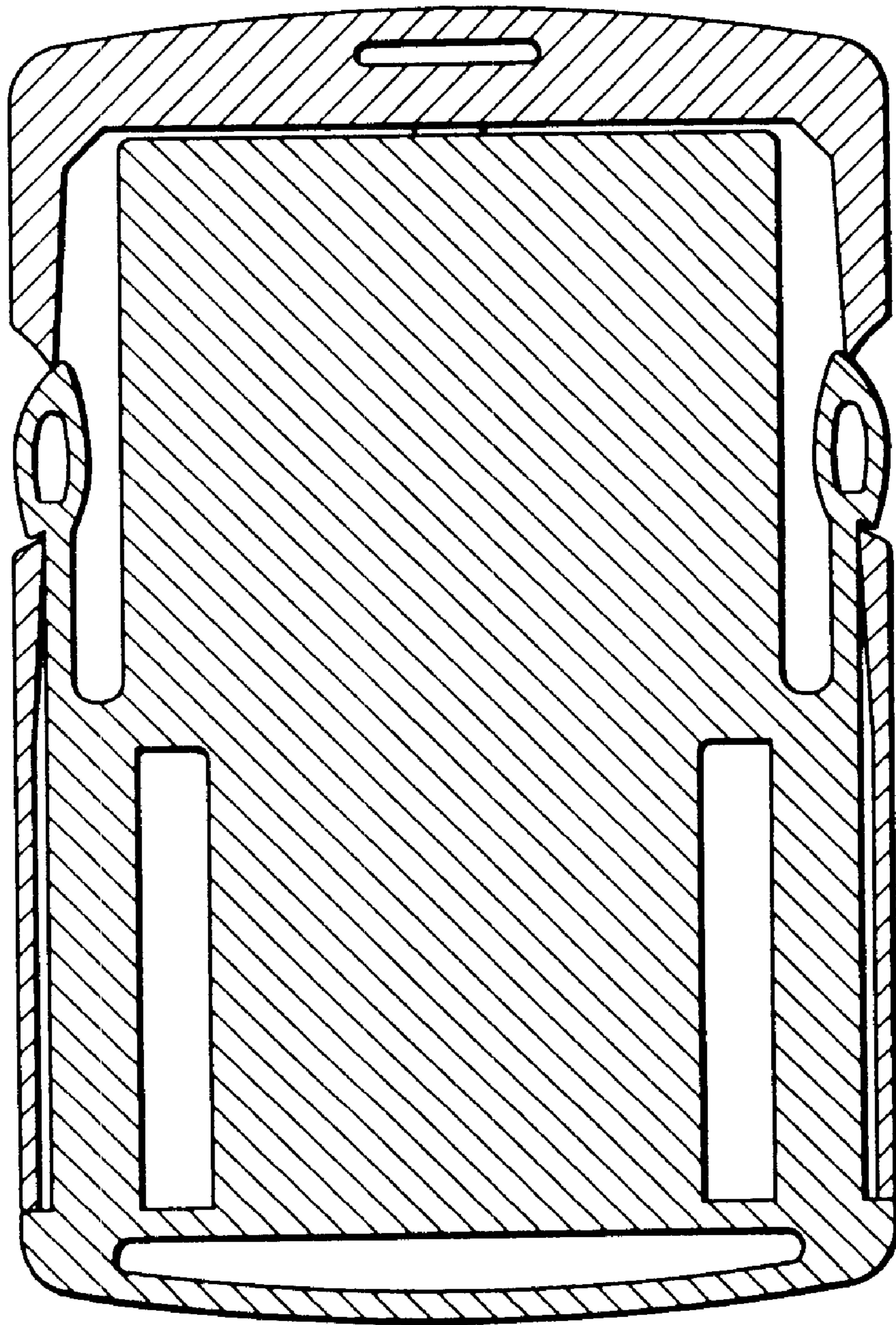


FIG. 6

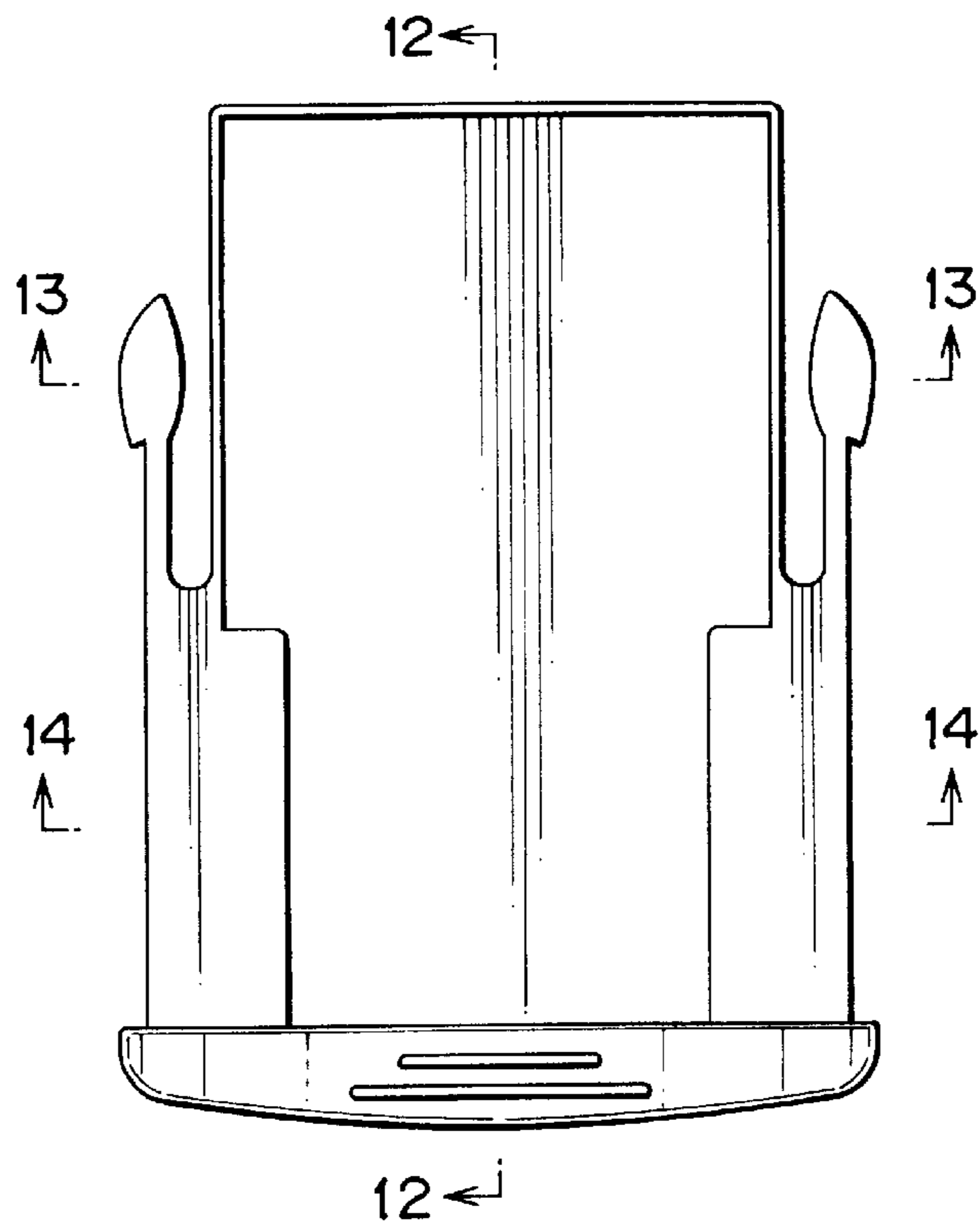


FIG. 7

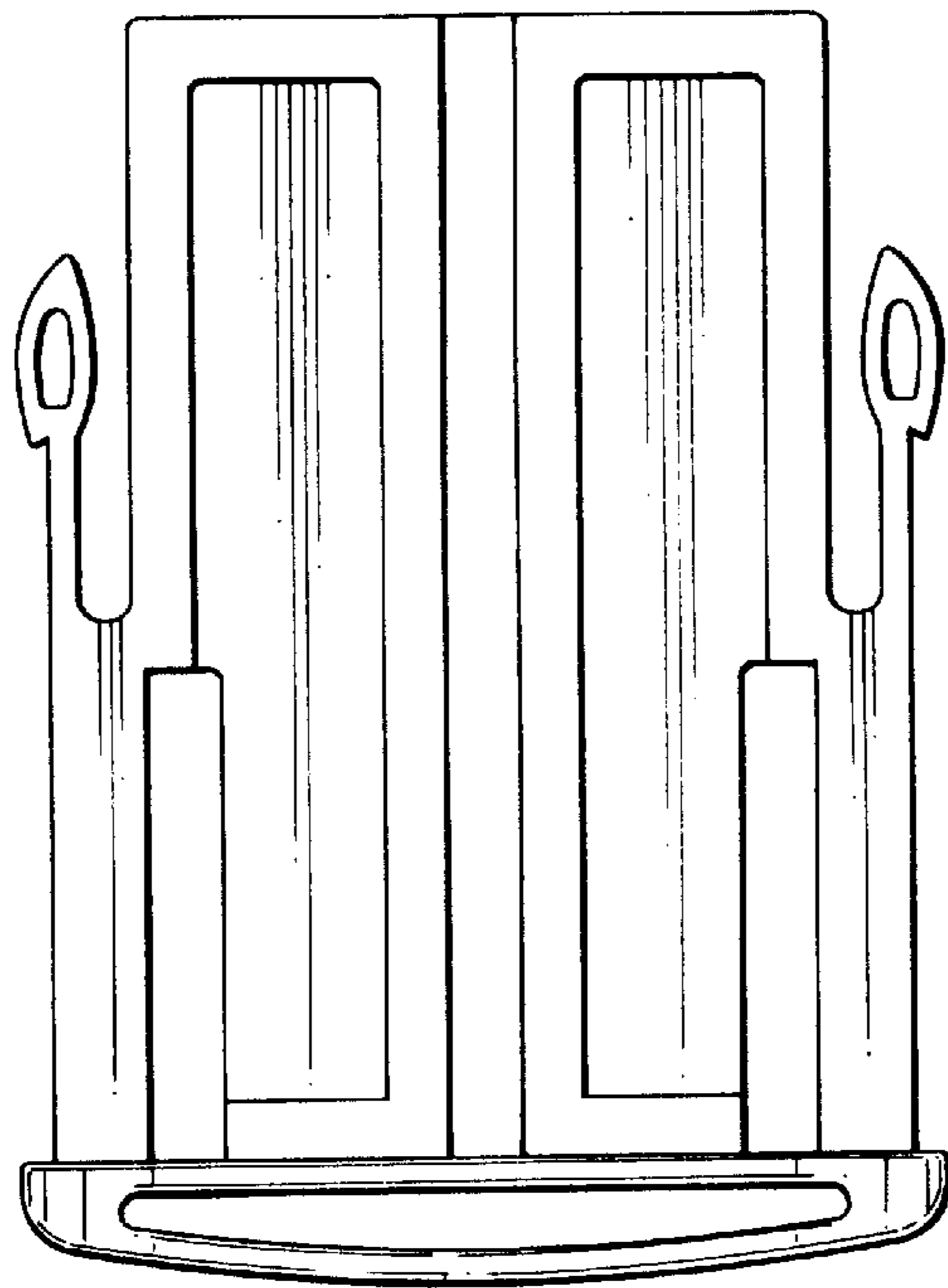


FIG. 8

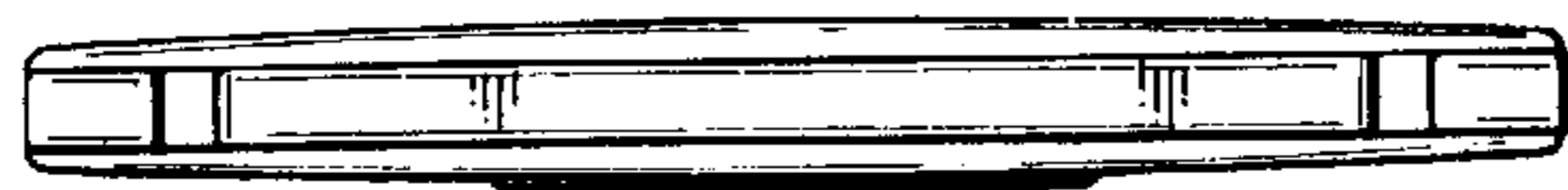


FIG. 9

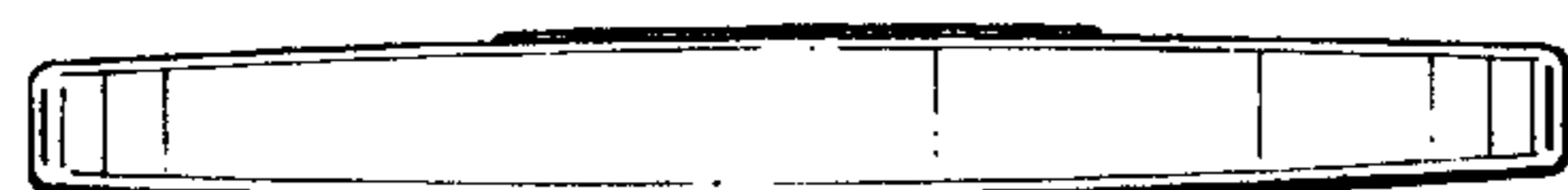


FIG. 10



FIG. 13



FIG. 14

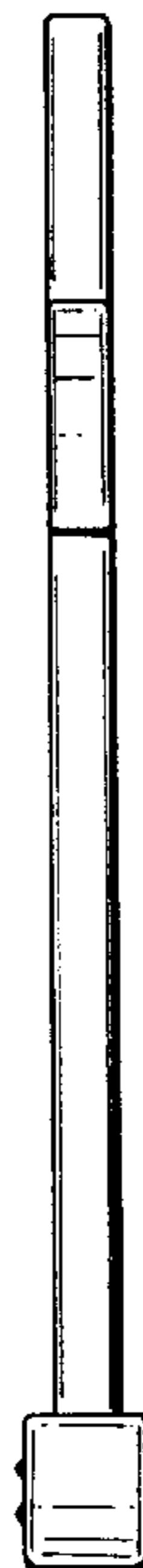


FIG. 11



FIG. 12

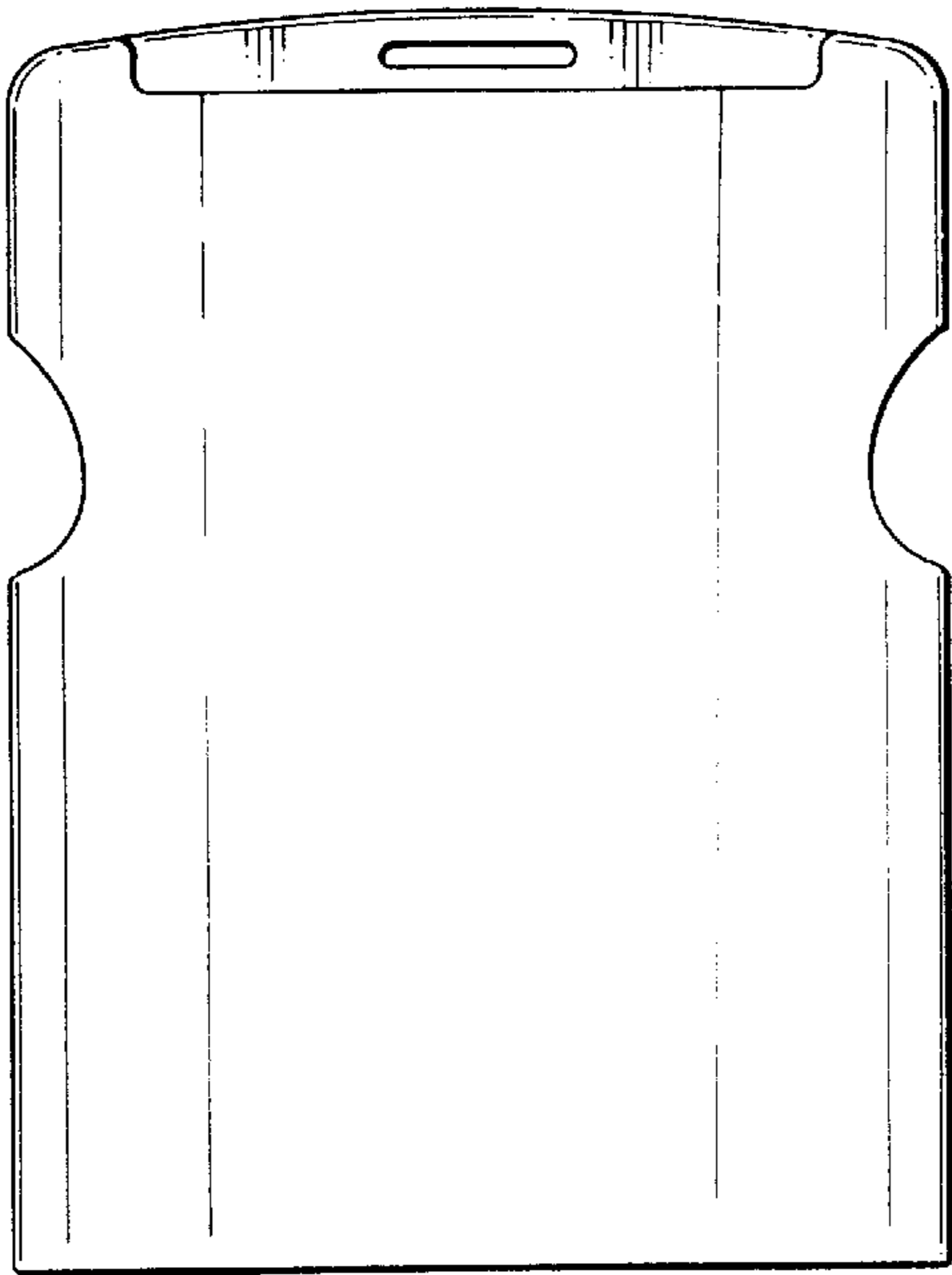


FIG. 15

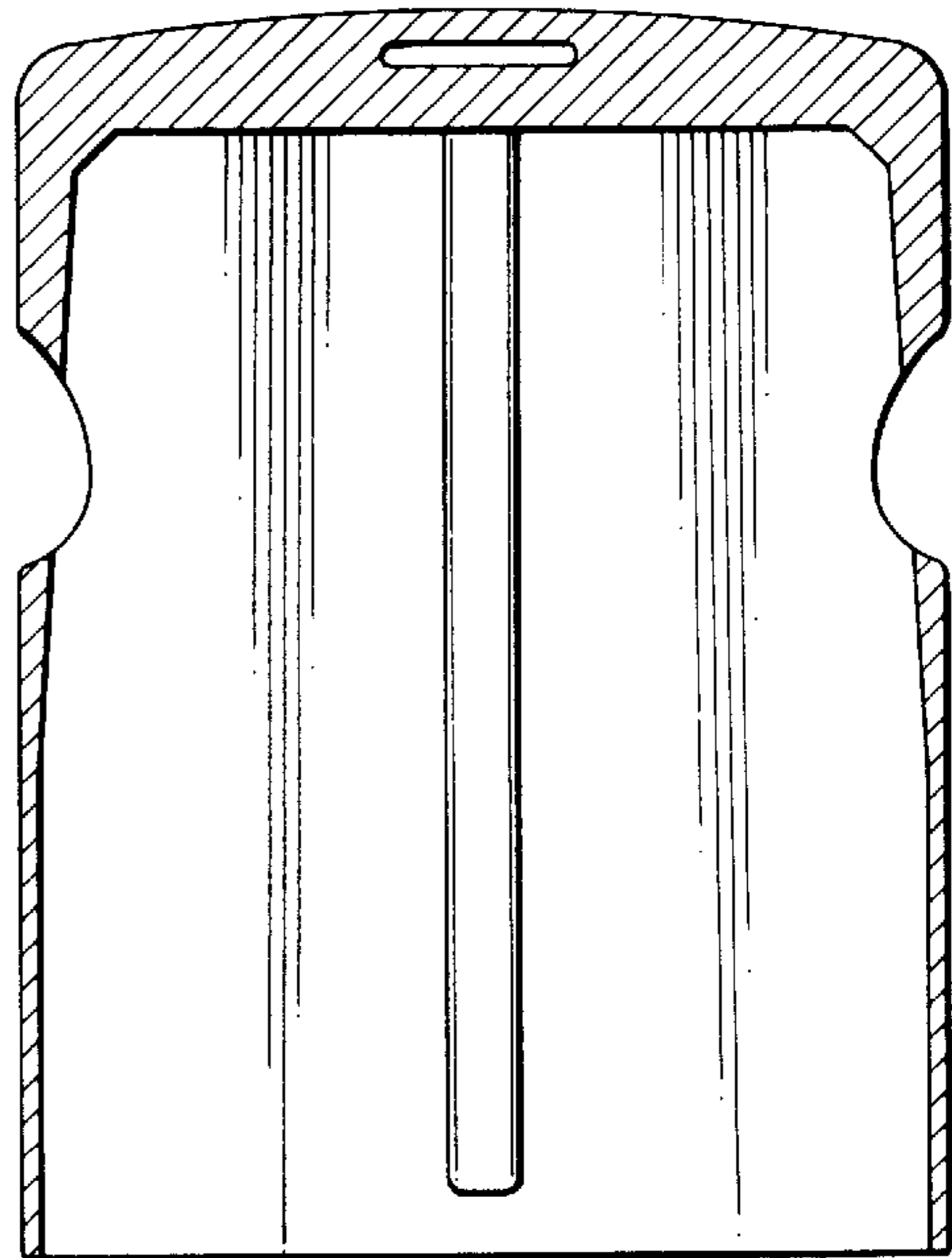


FIG. 19

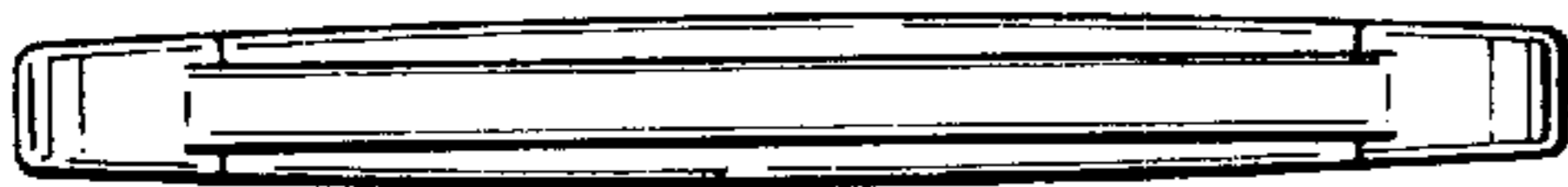


FIG. 16

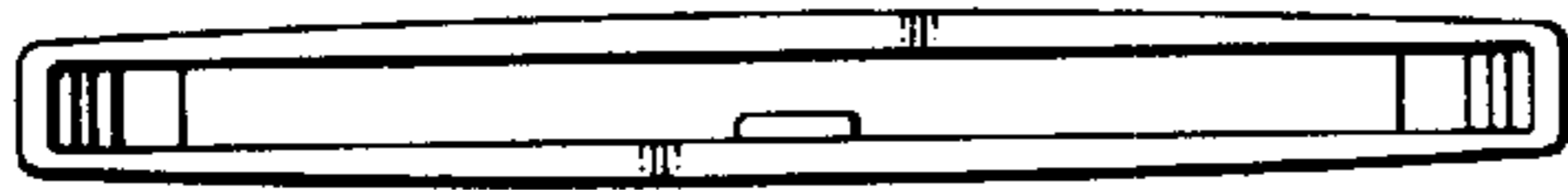


FIG. 17

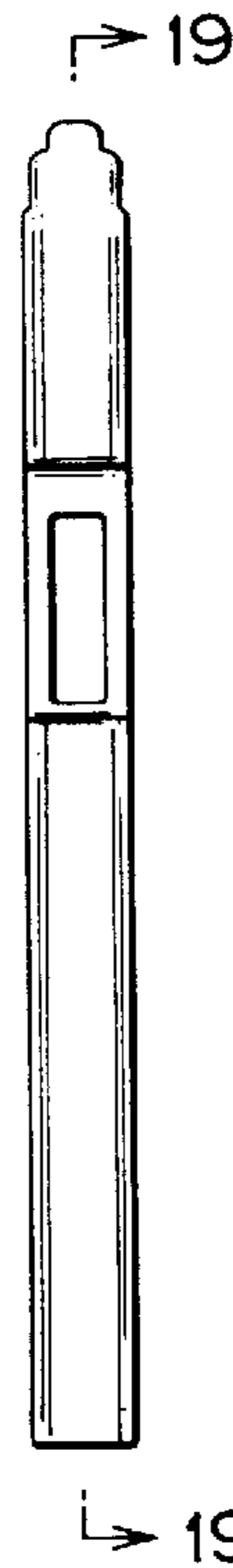


FIG. 18

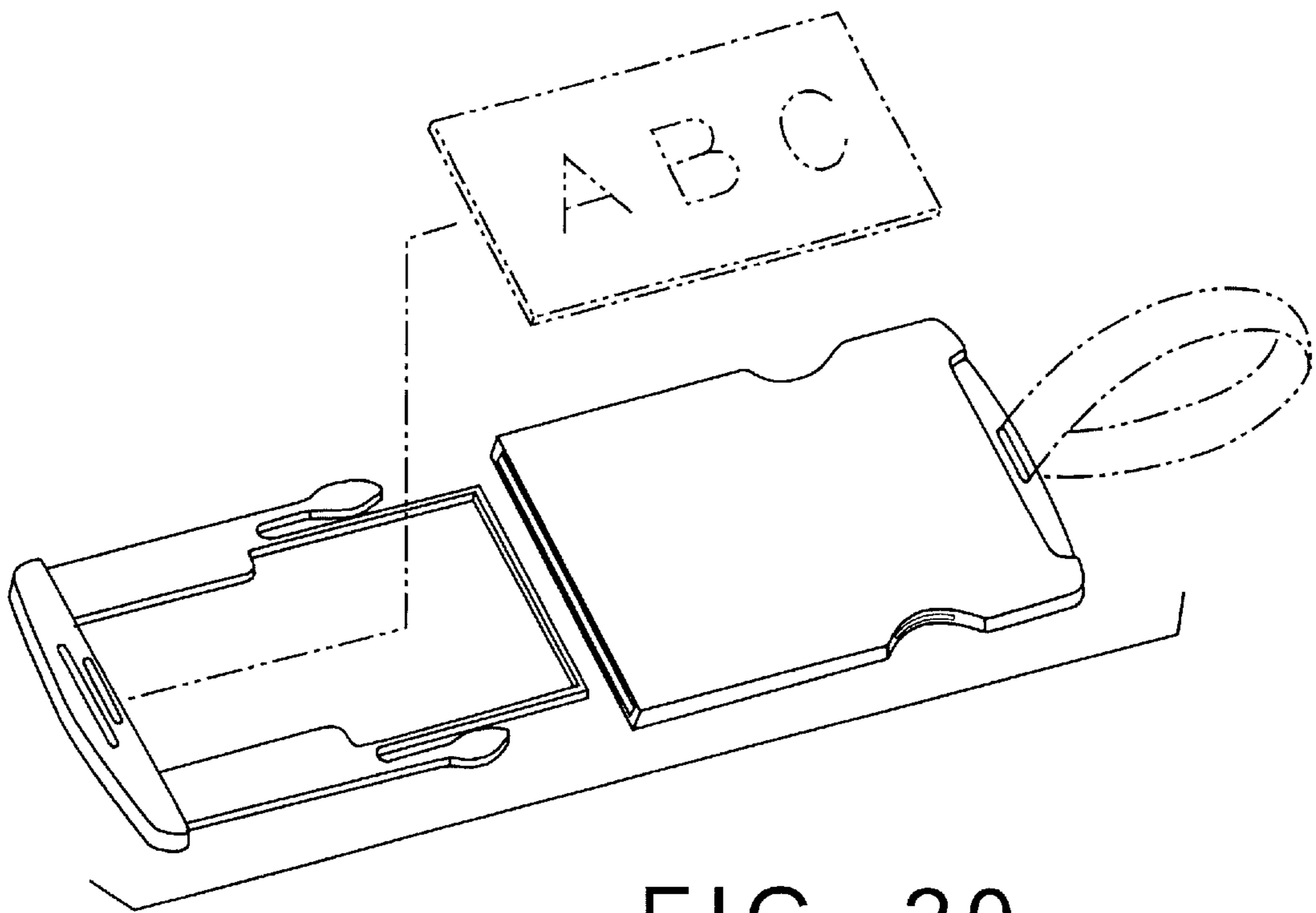


FIG. 20

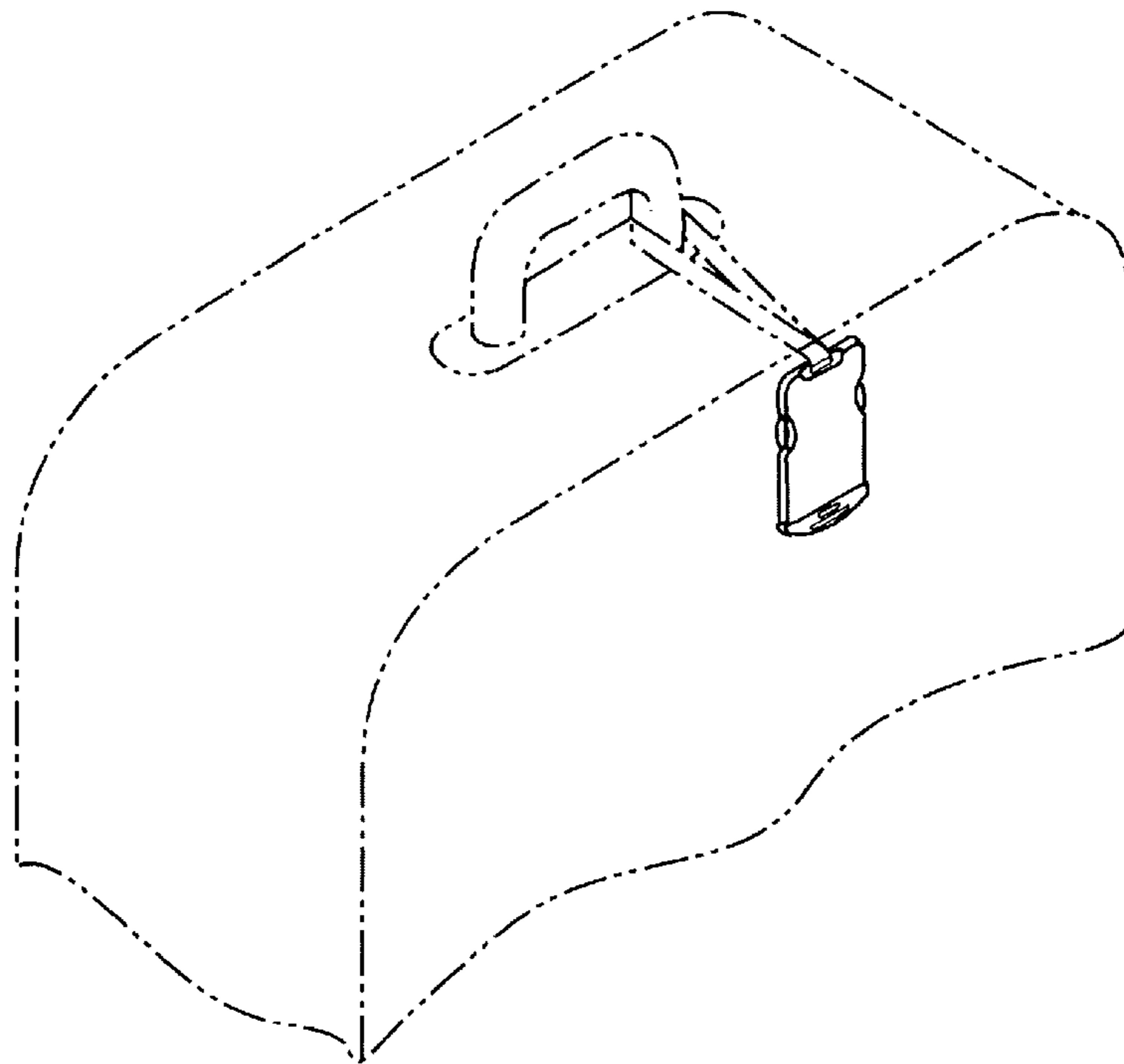


FIG. 21