



US00D470641S

(12) **United States Design Patent**
Emerzian et al.

(10) **Patent No.:** **US D470,641 S**

(45) **Date of Patent:** **** Feb. 18, 2003**

(54) **CONTAINER FOR HOLDING AND TRANSPORTING GOODS**

Primary Examiner—Kay H. Chin
(74) *Attorney, Agent, or Firm*—Thomas R. Lampe

(76) Inventors: **Thomas Emerzian**, 2555 N. Argyle, Fresno, CA (US) 93727; **Don Helman**, 2555 N. Argyle, Fresno, CA (US) 93727

(57) **CLAIM**

The ornamental design for a container for holding and transporting goods, as shown and described.

(**) Term: **14 Years**

DESCRIPTION

(21) Appl. No.: **29/164,211**

FIG. 1 is a frontal perspective view of container for holding and transporting goods showing our design;

(22) Filed: **Jul. 18, 2002**

FIG. 2 is a front elevation view thereof;

(51) **LOC (7) Cl.** **12-02**

FIG. 3 is a left side view thereof;

(52) **U.S. Cl.** **D34/27; D34/12; D9/415**

FIG. 4 is a top view thereof;

(58) **Field of Search** **D34/12-27; 280/47.17, 280/79.11, 79.2, 79.3, 652, 655, 30, 32.6; D9/415**

FIG. 5 is a bottom plan view thereof;

FIG. 6 is a rear elevation view thereof;

FIG. 7 is a right side elevation view thereof illustrating a tray of the container in raised position; and,

FIG. 8 is a rear perspective view thereof.

(56) **References Cited**

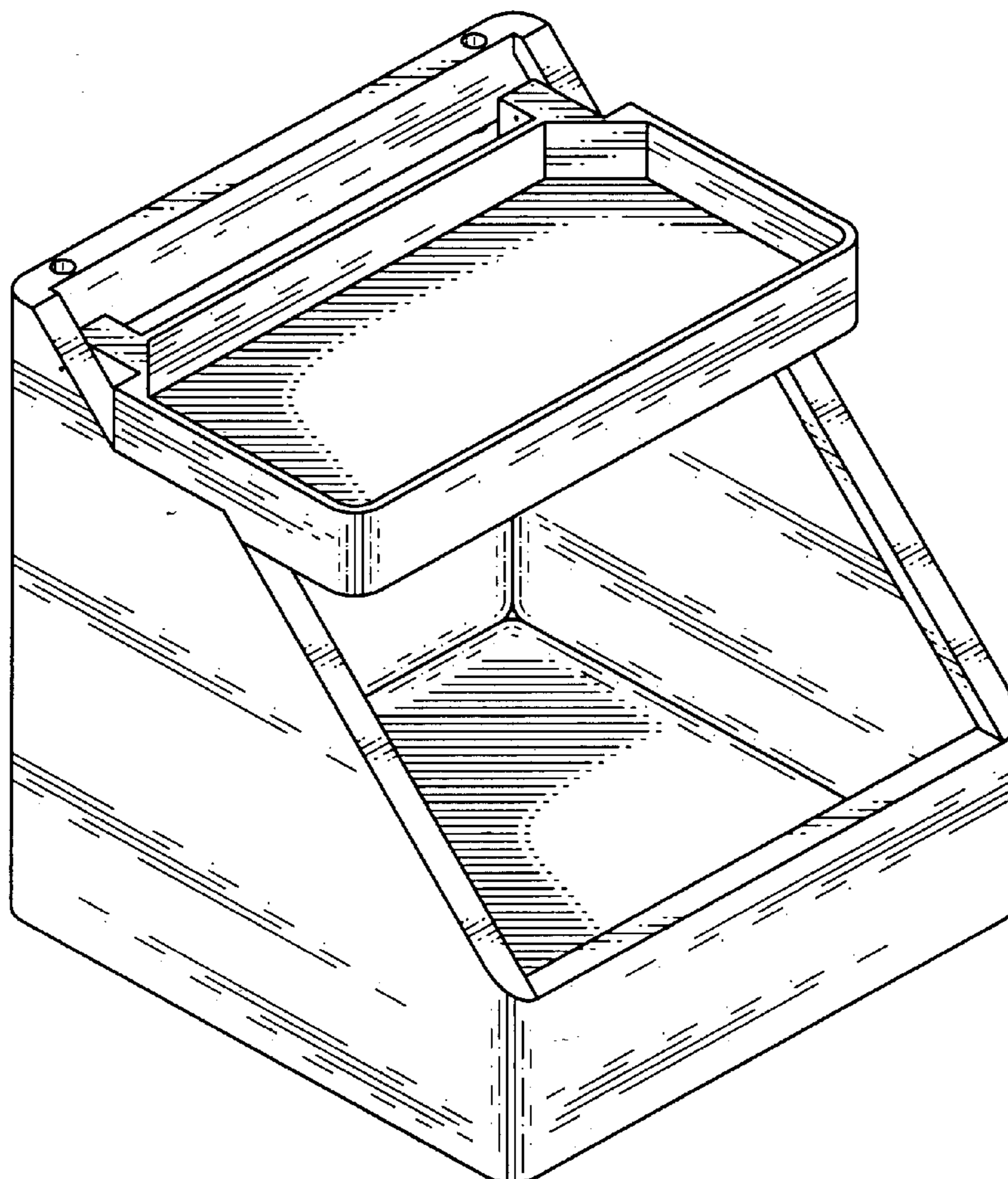
U.S. PATENT DOCUMENTS

- D358,695 S * 5/1995 Hudson et al. D34/26
- 5,673,924 A * 10/1997 Demick et al. 280/30
- 5,853,180 A * 12/1998 Taylor 280/32.6

The broken line showings of upright handles, wheels and a pivoted wheeled platform in FIGS. 3 and 8 are for illustrative purposes only and form no part of the claimed invention.

* cited by examiner

1 Claim, 3 Drawing Sheets



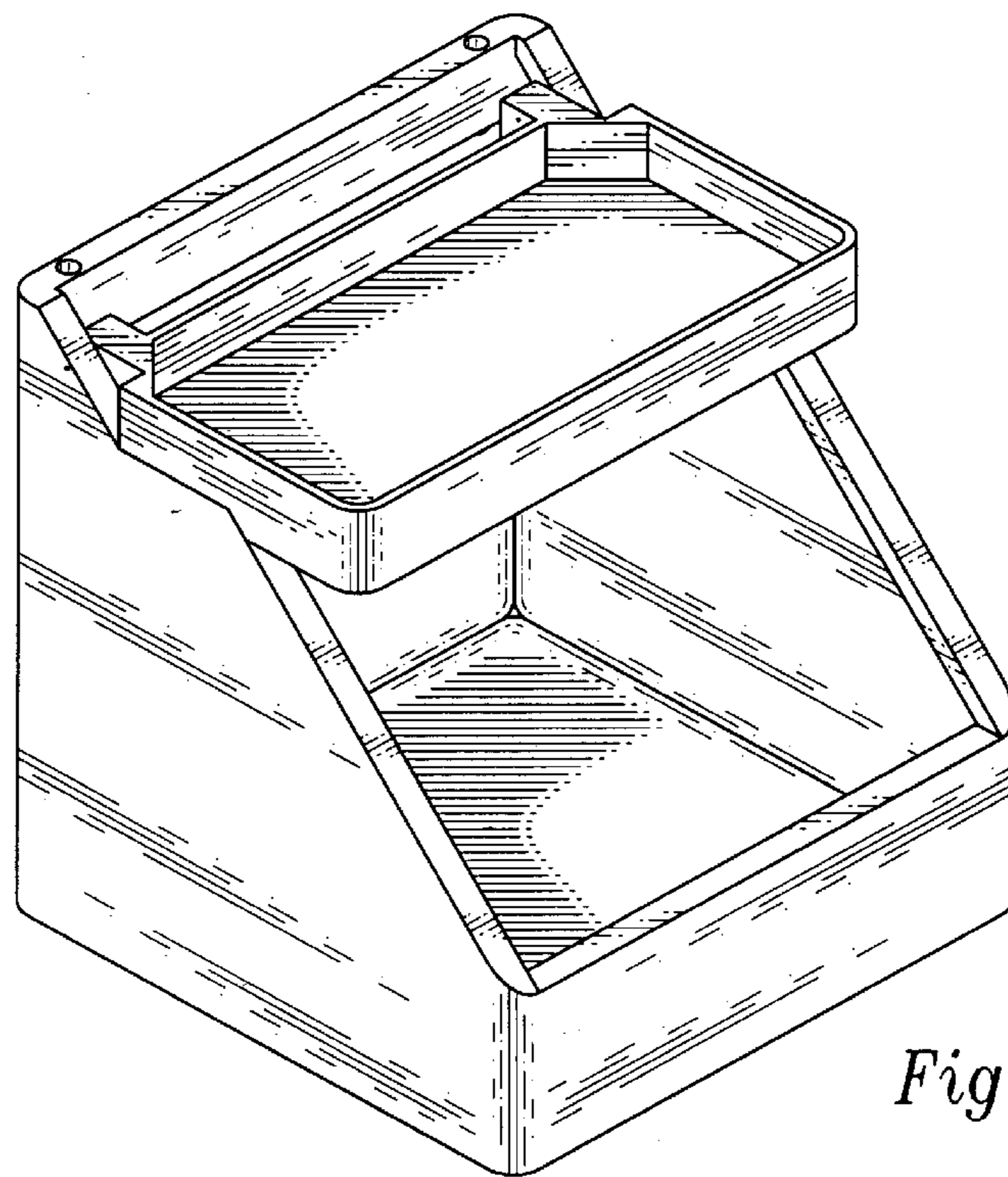


Fig. 1

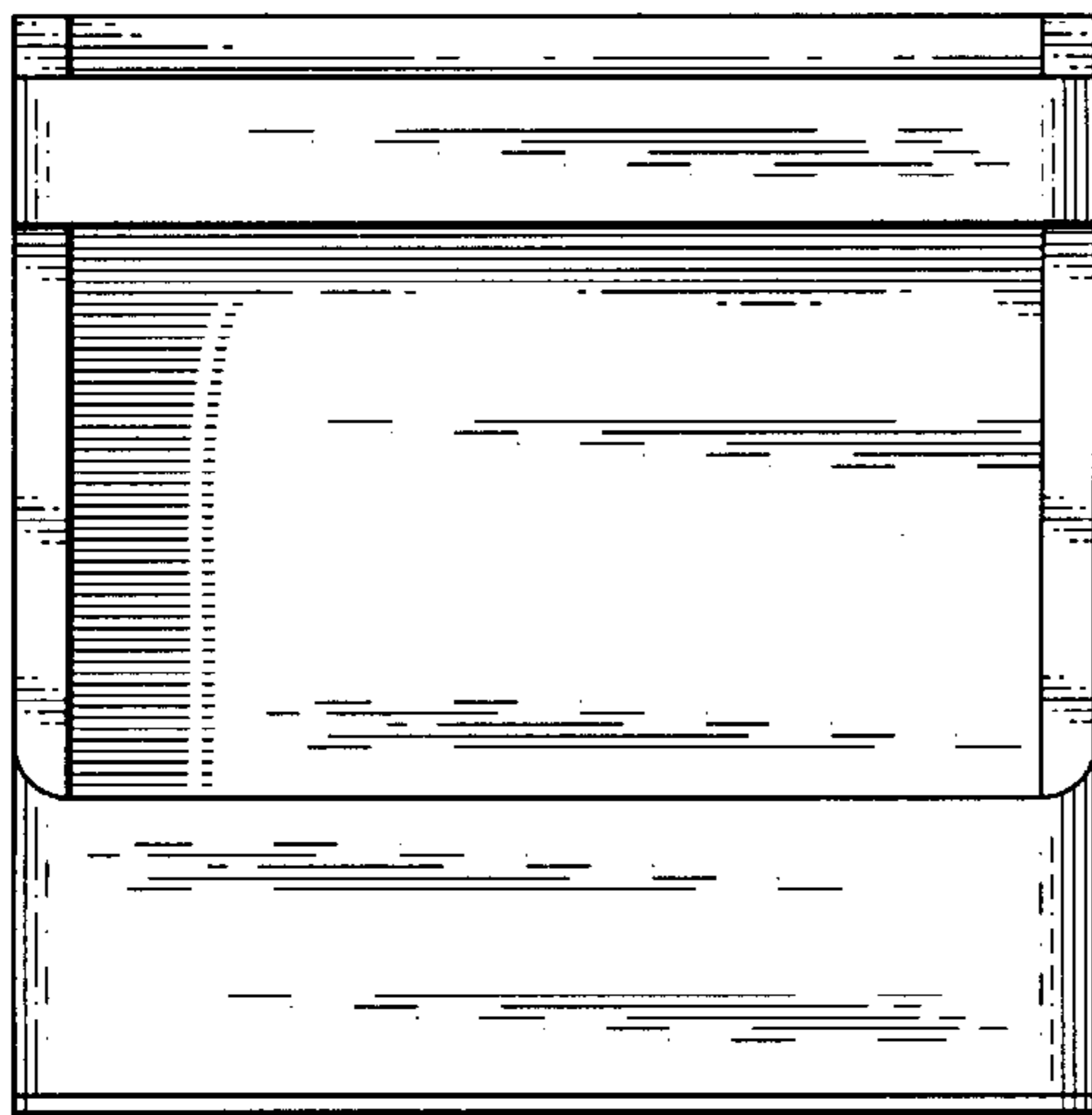


Fig. 2

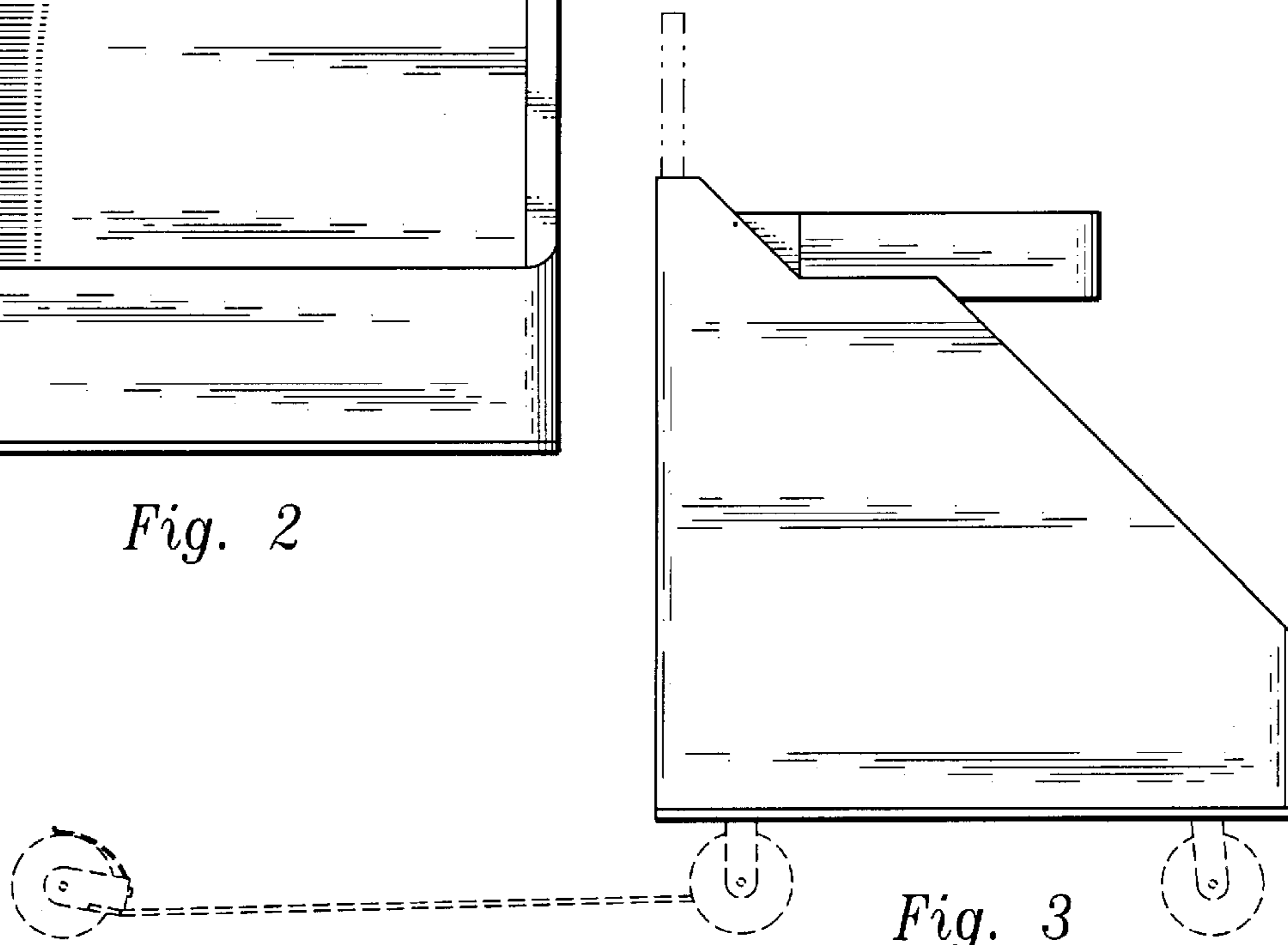


Fig. 3

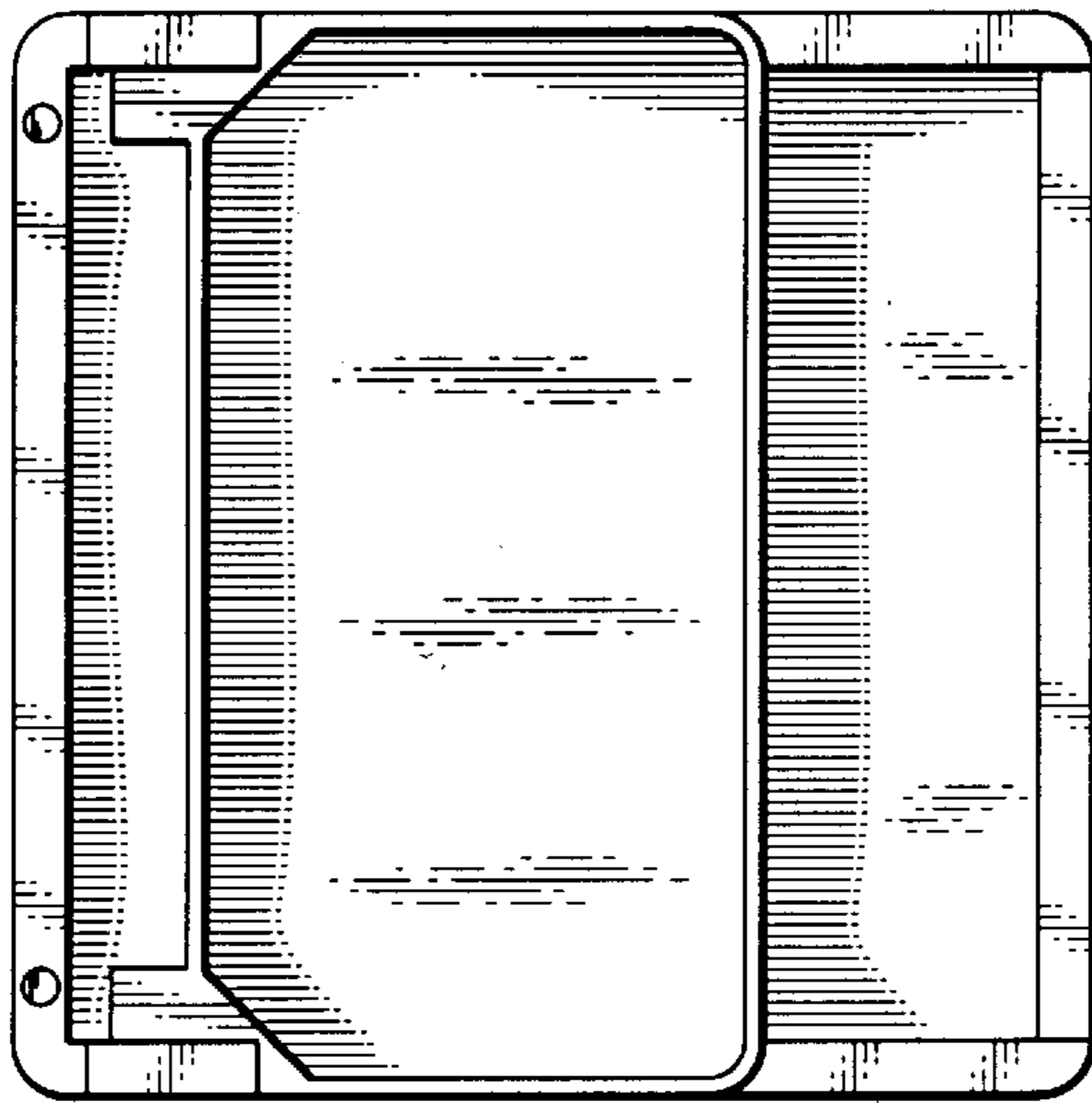


Fig. 4

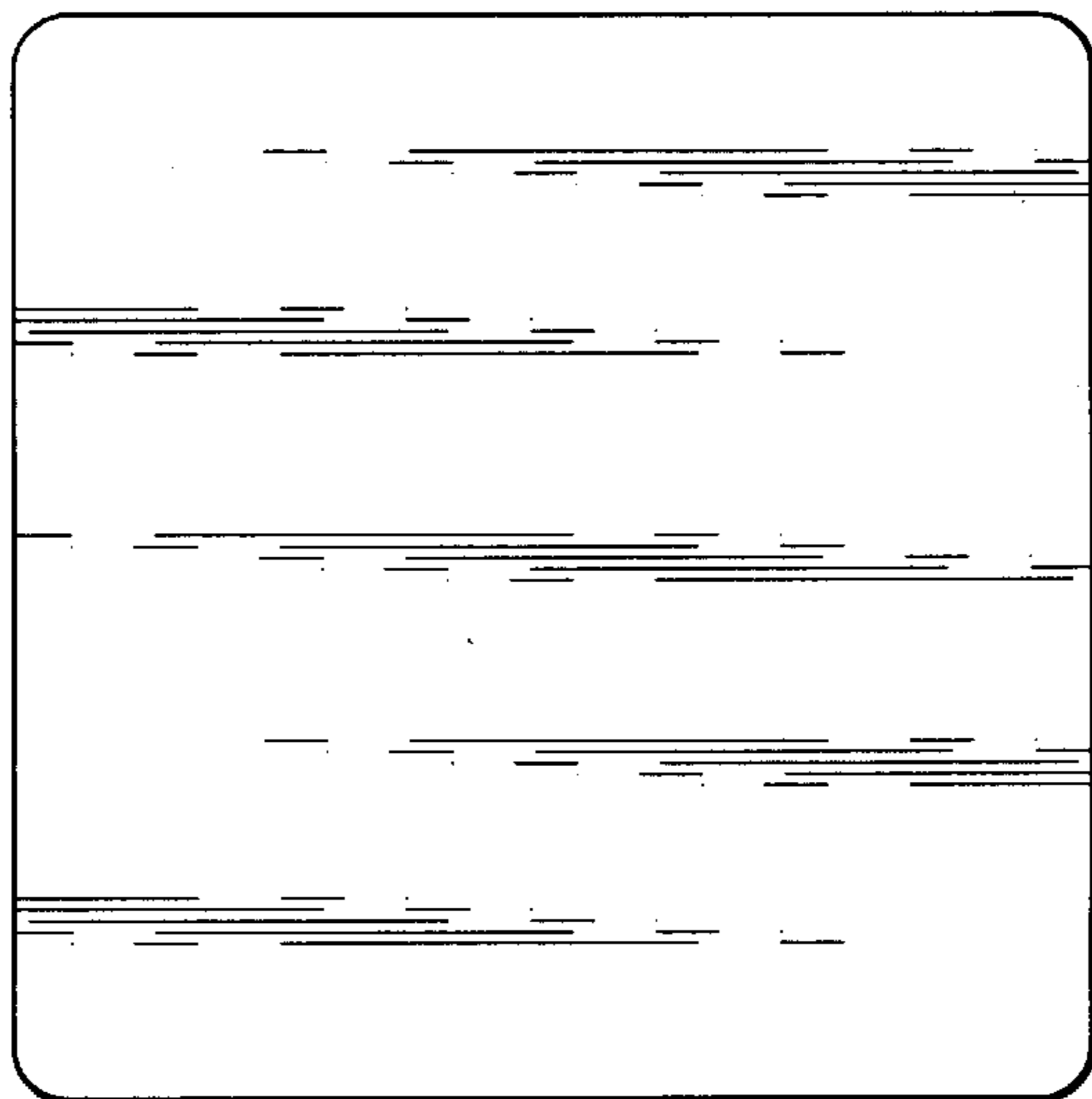


Fig. 5

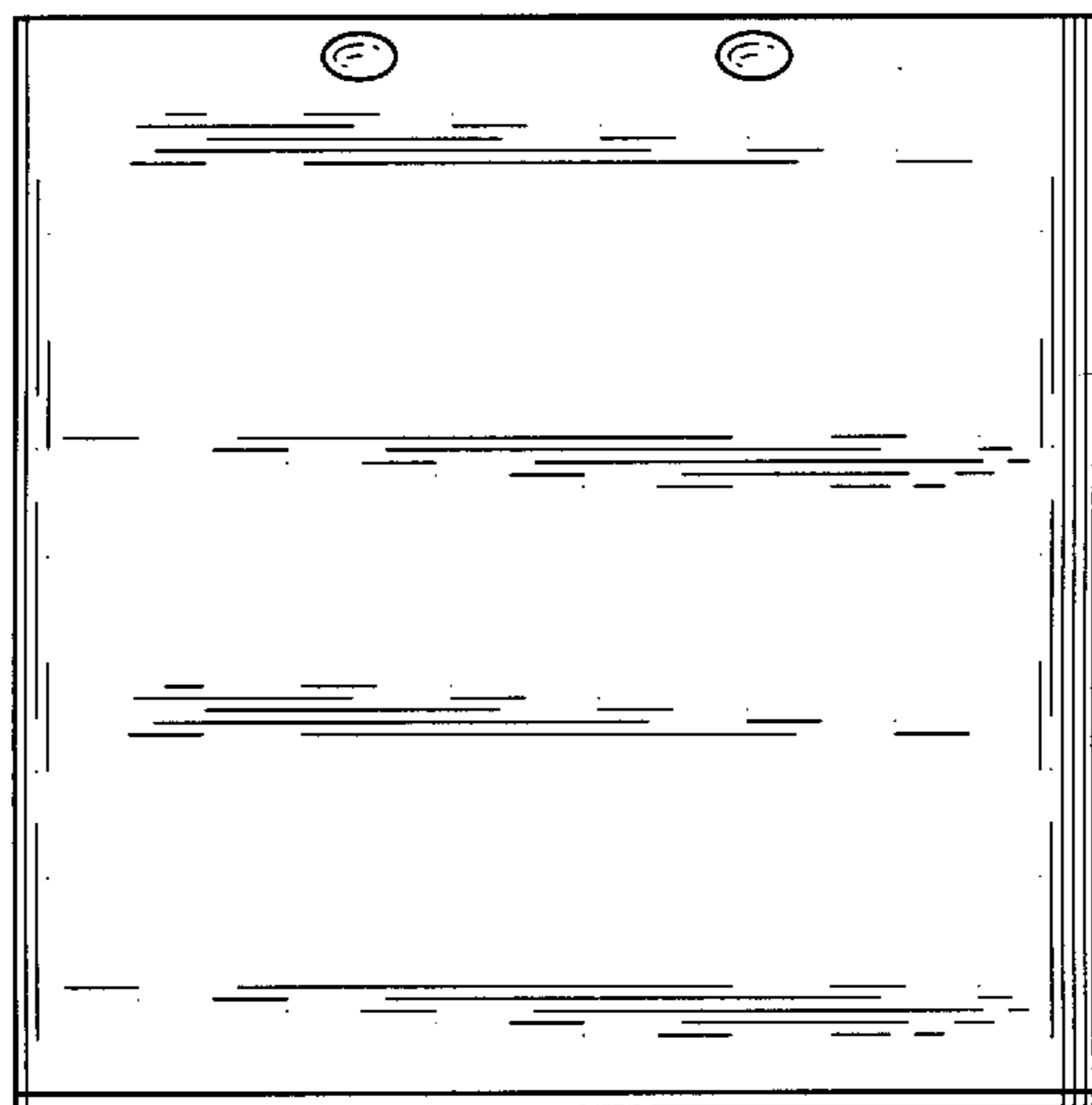


Fig. 6

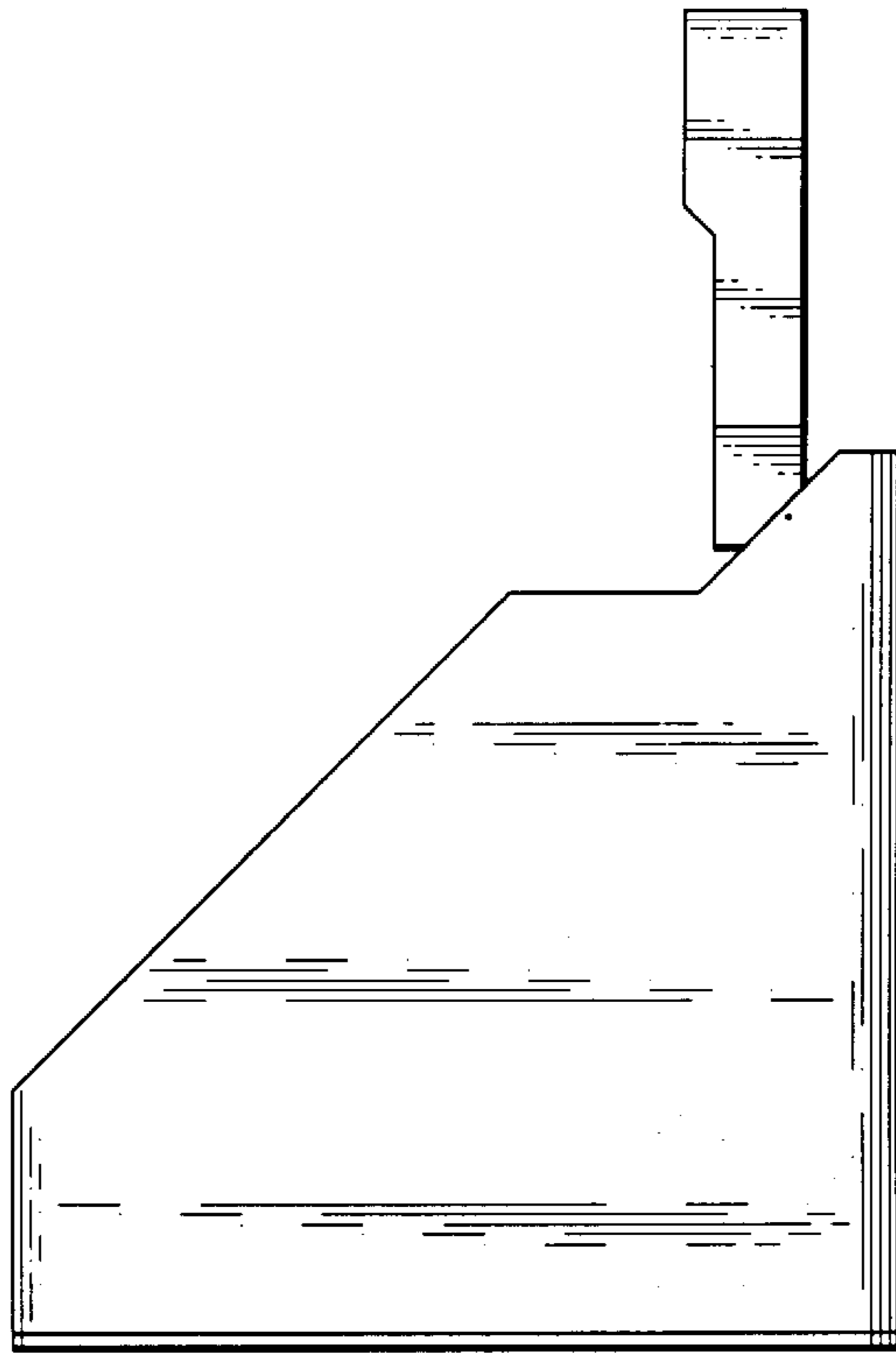


Fig. 7

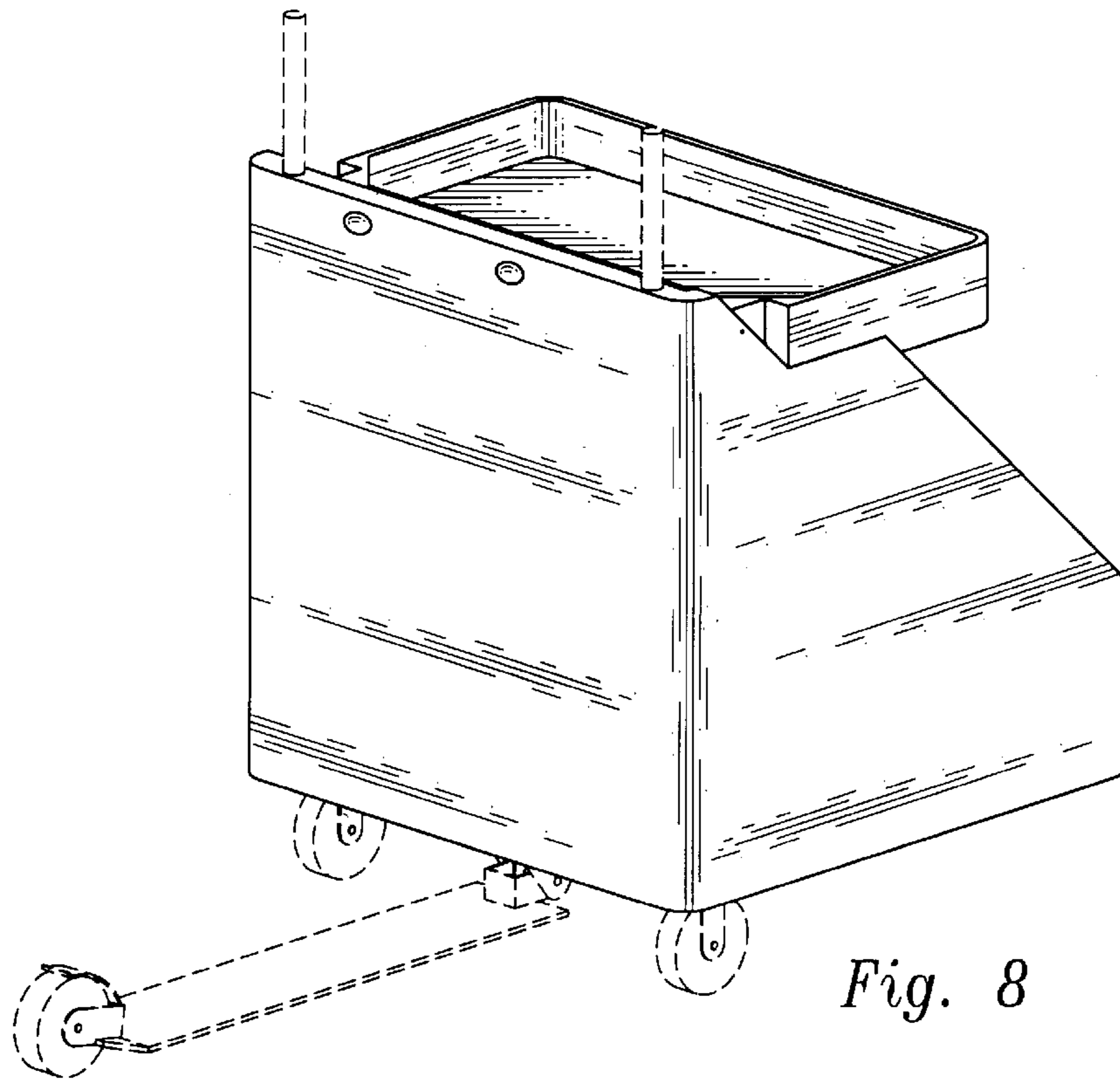


Fig. 8