



US00D470640S

(12) **United States Design Patent** (10) **Patent No.:** **US D470,640 S**
Scordo (45) **Date of Patent:** **** Feb. 18, 2003**

(54) **SUPPORT STAND FOR SELF-SERVICE VEHICLE WASHING PUMP CONSOLE**

(76) Inventor: **Donald W. Scordo**, 251 Pebble Beach Trail, Webster, NY (US) 14580

(**) Term: **14 Years**

(21) Appl. No.: **29/153,567**

(22) Filed: **Jan. 9, 2002**

(51) **LOC (7) Cl.** **12-02**

(52) **U.S. Cl.** **D34/25**

(58) **Field of Search** D34/25, 24; 239/104, 239/304, 61, 67, 112, 124, 172, 280, 288; 194/3; 222/1

(56) **References Cited**

U.S. PATENT DOCUMENTS

4,327,866	A	*	5/1982	Mason	239/104
5,029,758	A	*	7/1991	Chayer	239/172
D343,938	S	*	2/1994	Liverman	D34/25

* cited by examiner

Primary Examiner—Antoine Duval Davis

(74) *Attorney, Agent, or Firm*—Brian B. Shaw, Esq.; Donna P. Suchy, Esq.; Harter, Secrest & Emery LLP

(57) **CLAIM**

The ornamental design for a support stand for self-service vehicle washing pump console, as shown and described.

DESCRIPTION

FIG. 1 is a perspective view of a first configuration of support stand for self-service vehicle washing pump console.

FIG. 2 is a top plan view of the support stand for self-service vehicle washing pump console as shown in FIG. 1.

FIG. 3 is a bottom plan view of the support stand for self-service vehicle washing pump console as shown in FIG. 1.

FIG. 4 is a left side elevational view of the support stand for self-service vehicle washing pump console as shown in FIG. 1.

FIG. 5 is a right side elevational view of the support stand for self-service vehicle washing pump console as shown in FIG. 1.

FIG. 6 is a front elevational view of the support stand for self-service vehicle washing pump console as shown in FIG. 1.

FIG. 7 is a rear elevational view of the support stand for self-service vehicle washing pump console as shown in FIG. 1.

FIG. 8 is a perspective view of an alternative configuration of the support stand for self-service vehicle washing pump console.

FIG. 9 is a top plan view of the support stand for self-service vehicle washing pump console as shown in FIG. 8.

FIG. 10 is a bottom plan view of the support stand for self-service vehicle washing pump console as shown in FIG. 8.

FIG. 11 is a left side elevational view of the support stand for self-service vehicle washing pump console as shown in FIG. 8.

FIG. 12 is a right side elevational view of the support stand for self-service vehicle washing pump console as shown in FIG. 8.

FIG. 13 is a front elevational view of the support stand for self-service vehicle washing pump console as shown in FIG. 8.

FIG. 14 is a rear elevational view of the support stand for self-service vehicle washing pump console as shown in FIG. 8.

FIG. 15 is a perspective view of a further alternative configuration of the support stand for self-service vehicle washing pump console.

FIG. 16 is a top plan view of the support stand for self-service vehicle washing pump console as shown in FIG. 15.

FIG. 17 is a bottom plan view of the support stand for self-service vehicle washing pump console as shown in FIG. 15.

FIG. 18 is a left side elevational view of the support stand for self-service vehicle washing pump console as shown in FIG. 15.

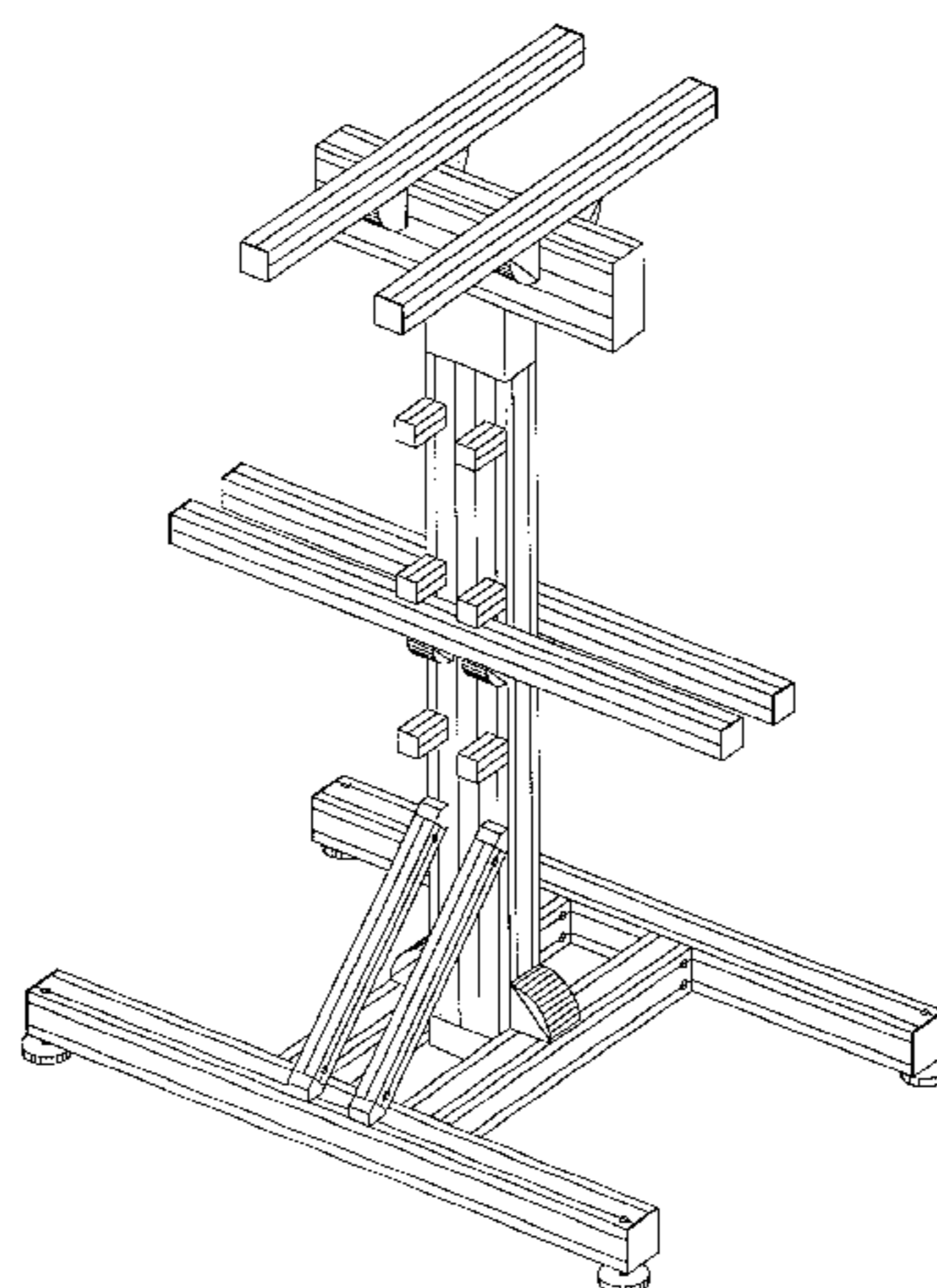


FIG. 19 is a right side elevational view of the support stand for self-service vehicle washing pump console as shown in FIG. 15.

FIG. 20 is a front elevational view of the support stand for self-service vehicle washing pump console as shown in FIG. 15.

FIG. 21 is a rear elevational view of the support stand for self-service vehicle washing pump console as shown in FIG. 15.

FIG. 22 is a perspective view of a further configuration of the support stand for self-service vehicle washing pump console.

FIG. 23 is a top plan view of the support stand for self-service vehicle washing pump console as shown in FIG. 22.

FIG. 24 is a bottom plan view of the support stand for self-service vehicle washing pump console as shown in FIG. 22.

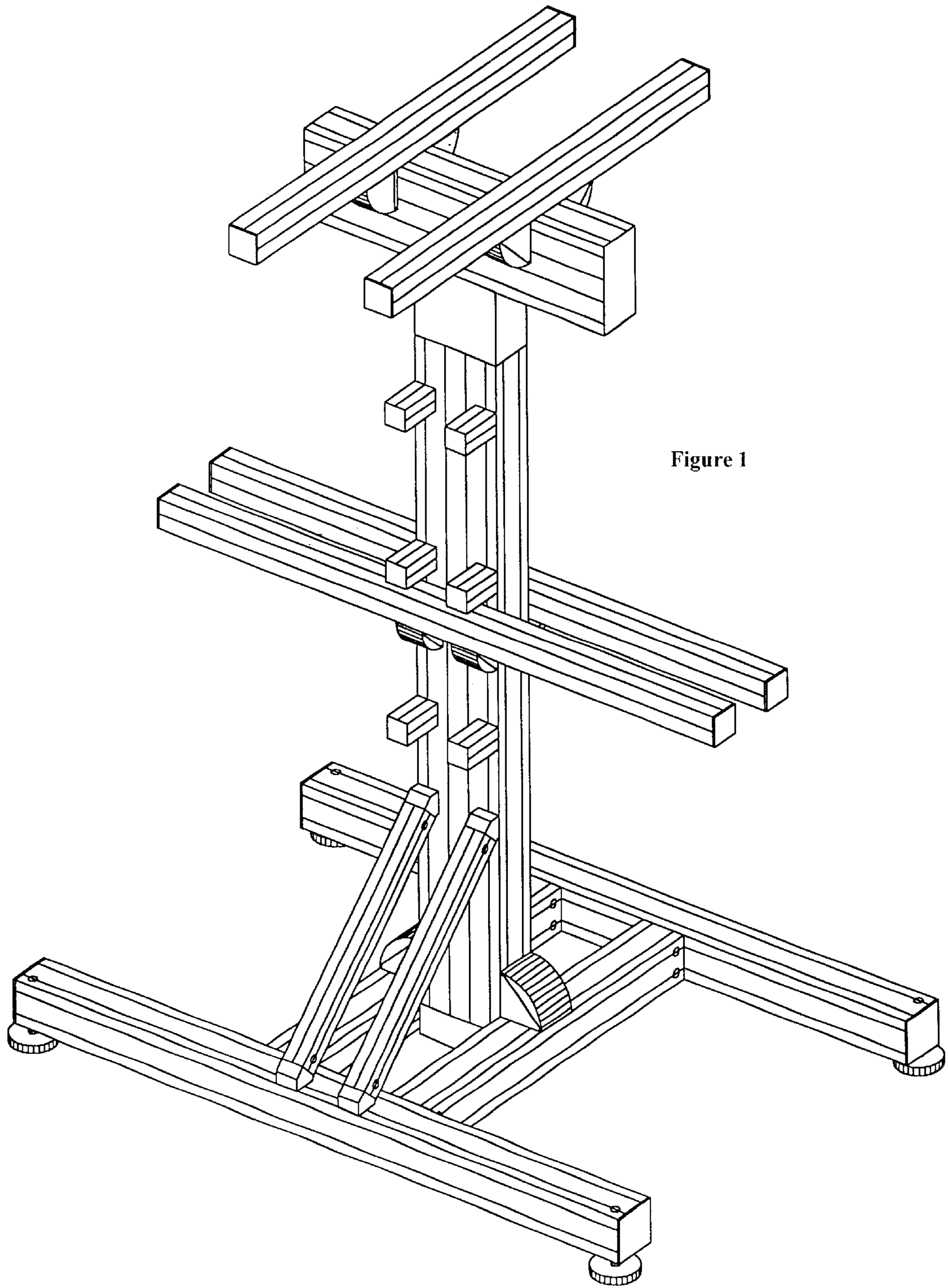
FIG. 25 is a left side elevational view of the support stand for self-service vehicle washing pump console as shown in FIG. 22.

FIG. 26 is a right side elevational view of the support stand for self-service vehicle washing pump console as shown in FIG. 22.

FIG. 27 is a front elevational view of the support stand for self-service vehicle washing pump console as shown in FIG. 22; and,

FIG. 28 is a rear elevational view of the support stand for self-service vehicle washing pump console as shown in FIG. 22.

1 Claim, 28 Drawing Sheets



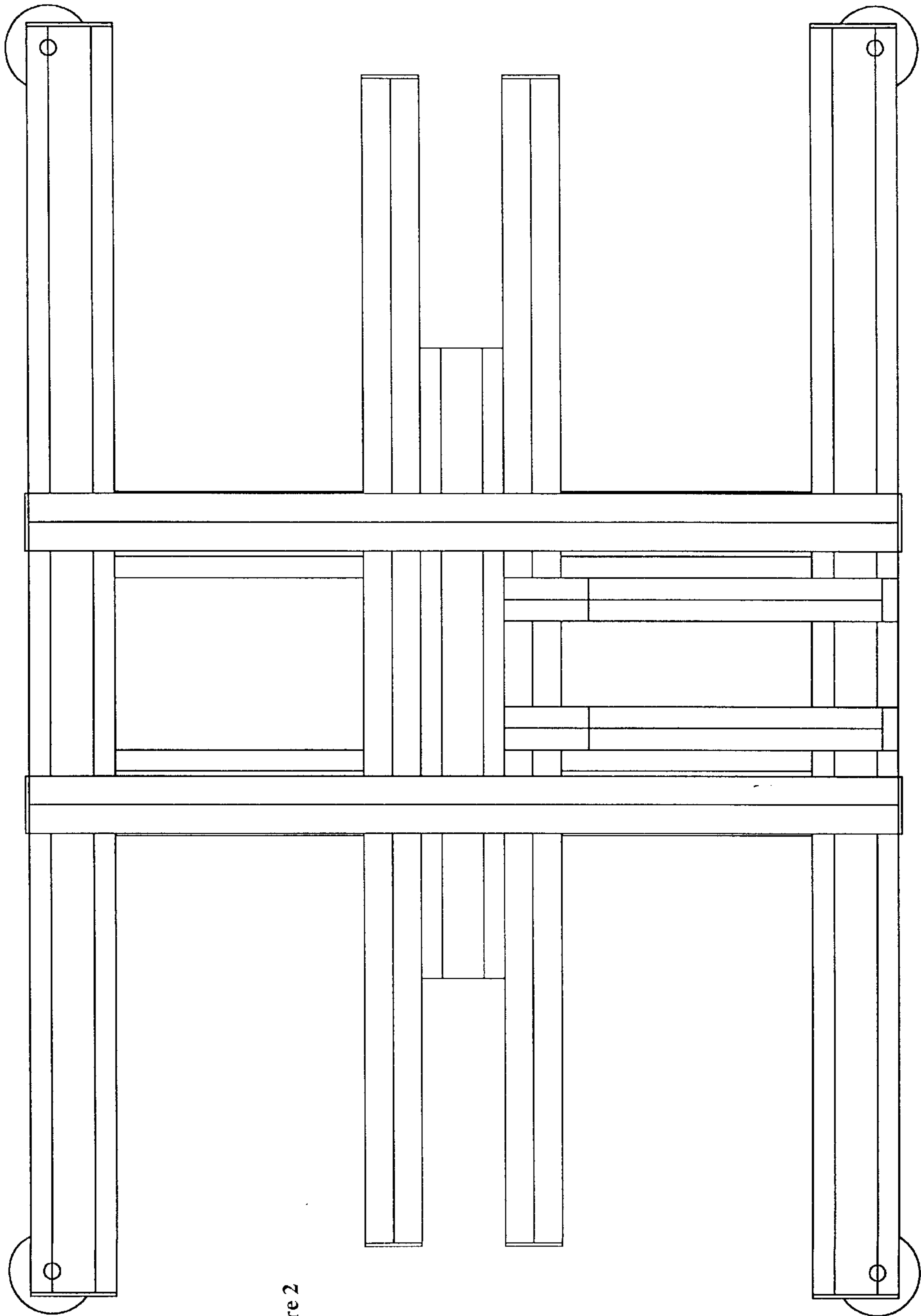


Figure 2

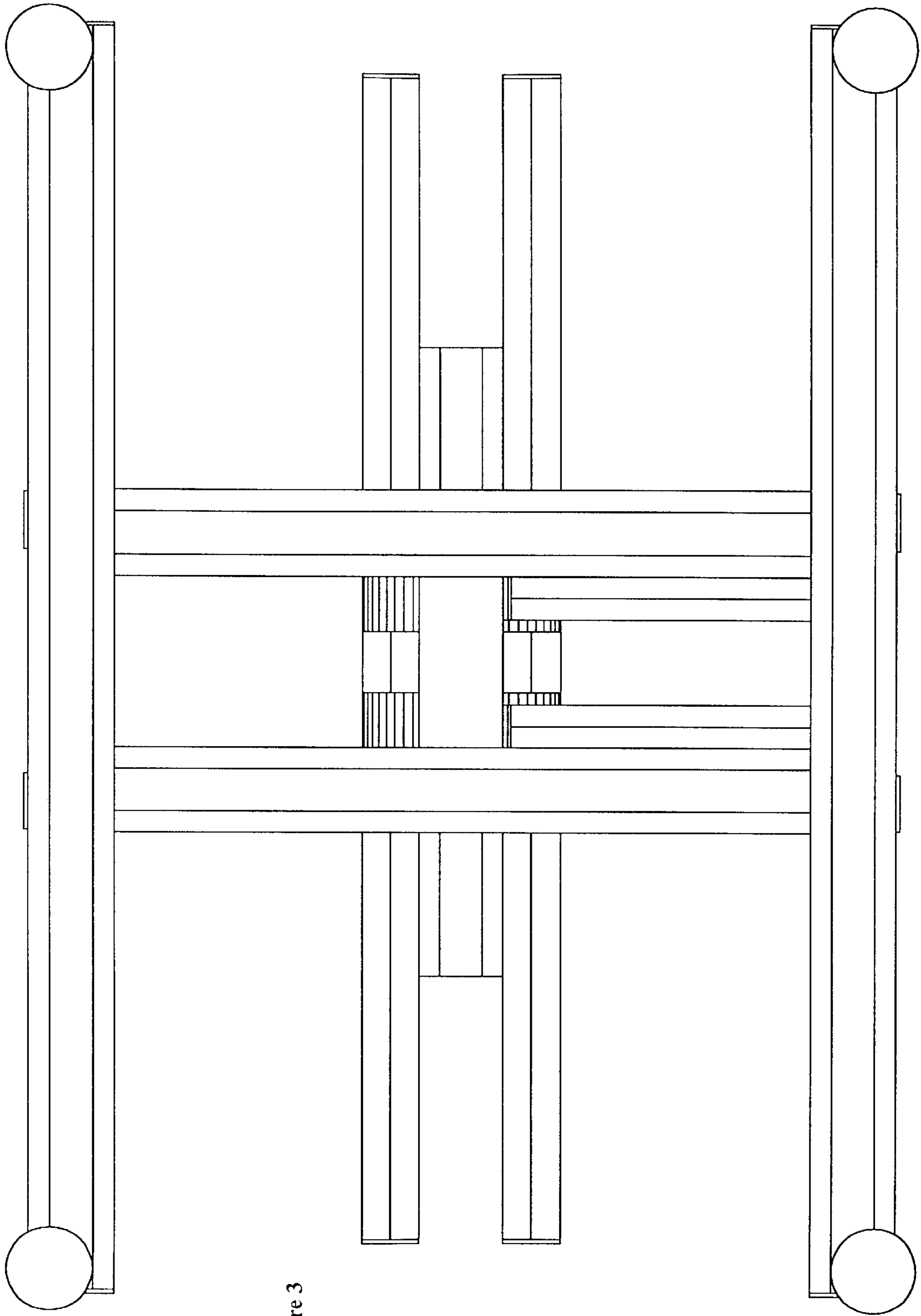


Figure 3

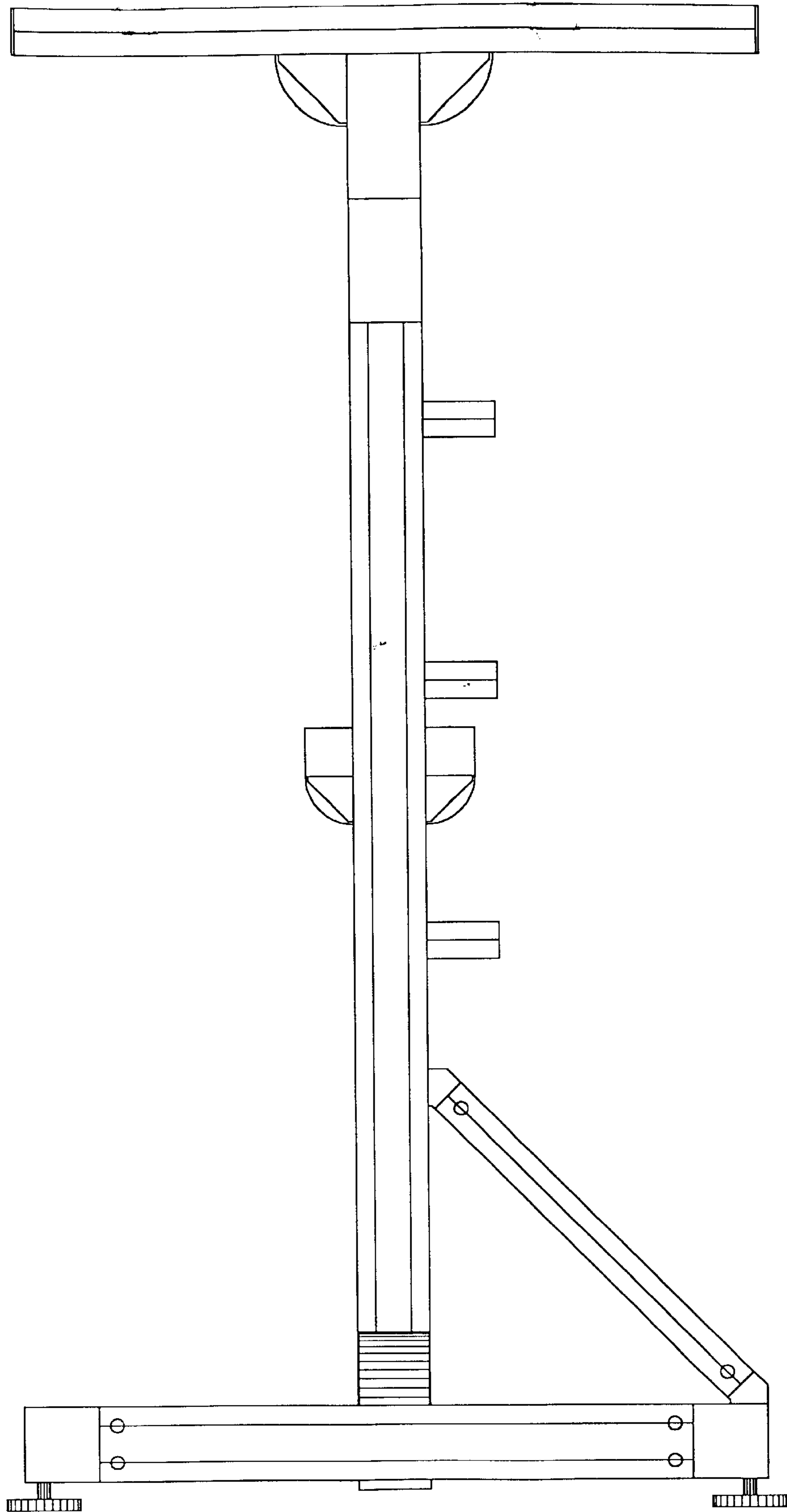


Figure 4

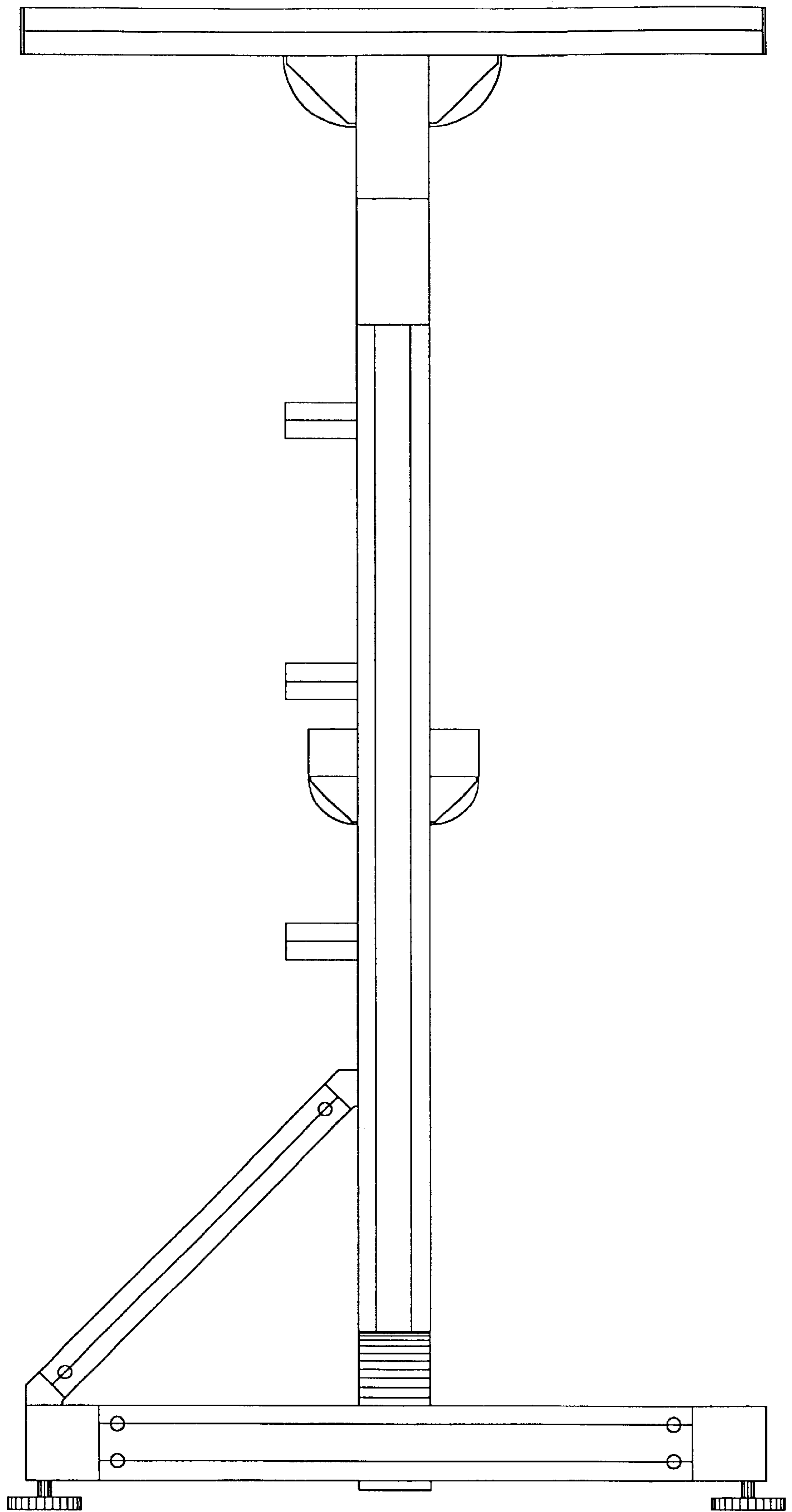


Figure 5

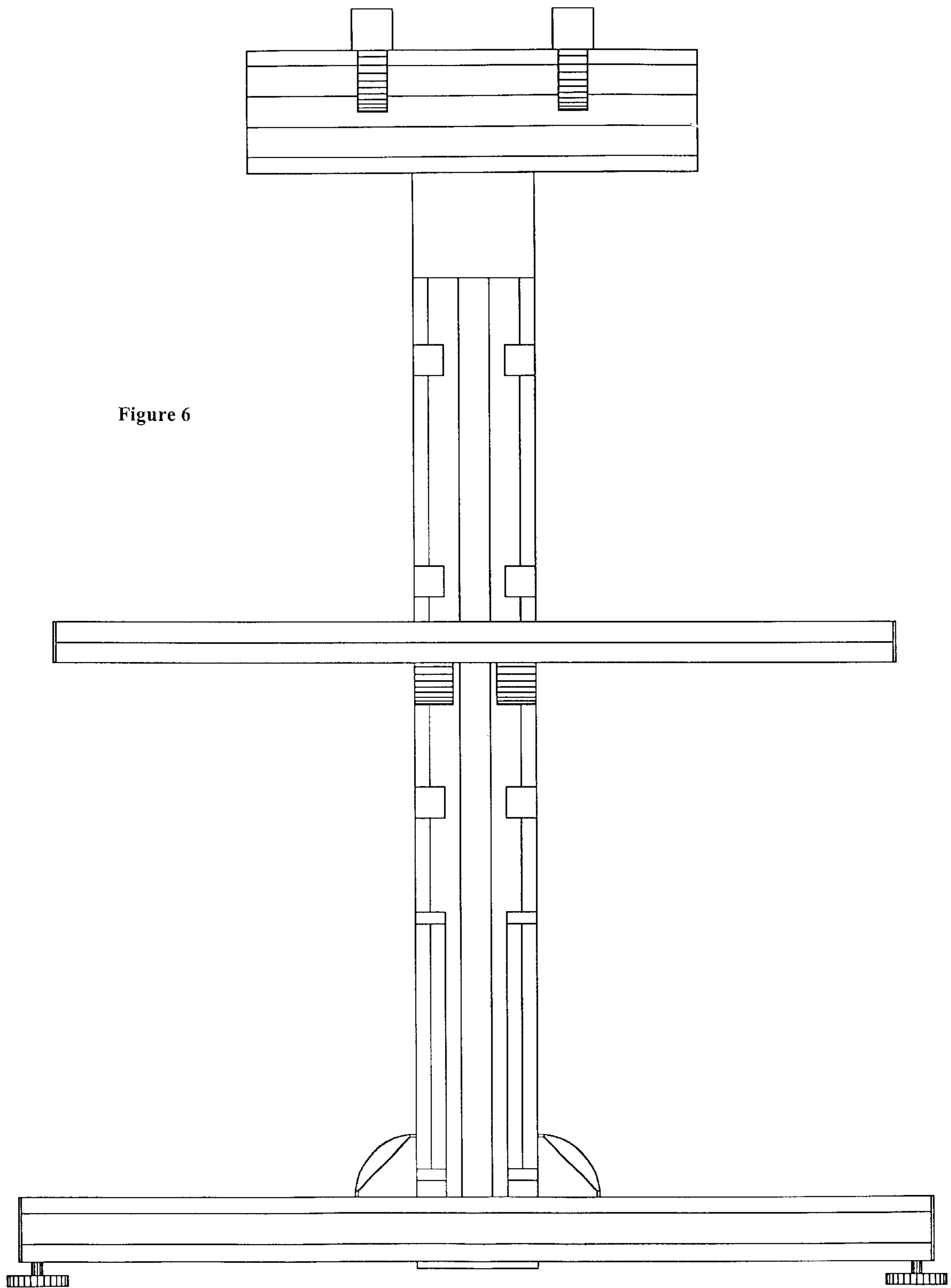


Figure 6

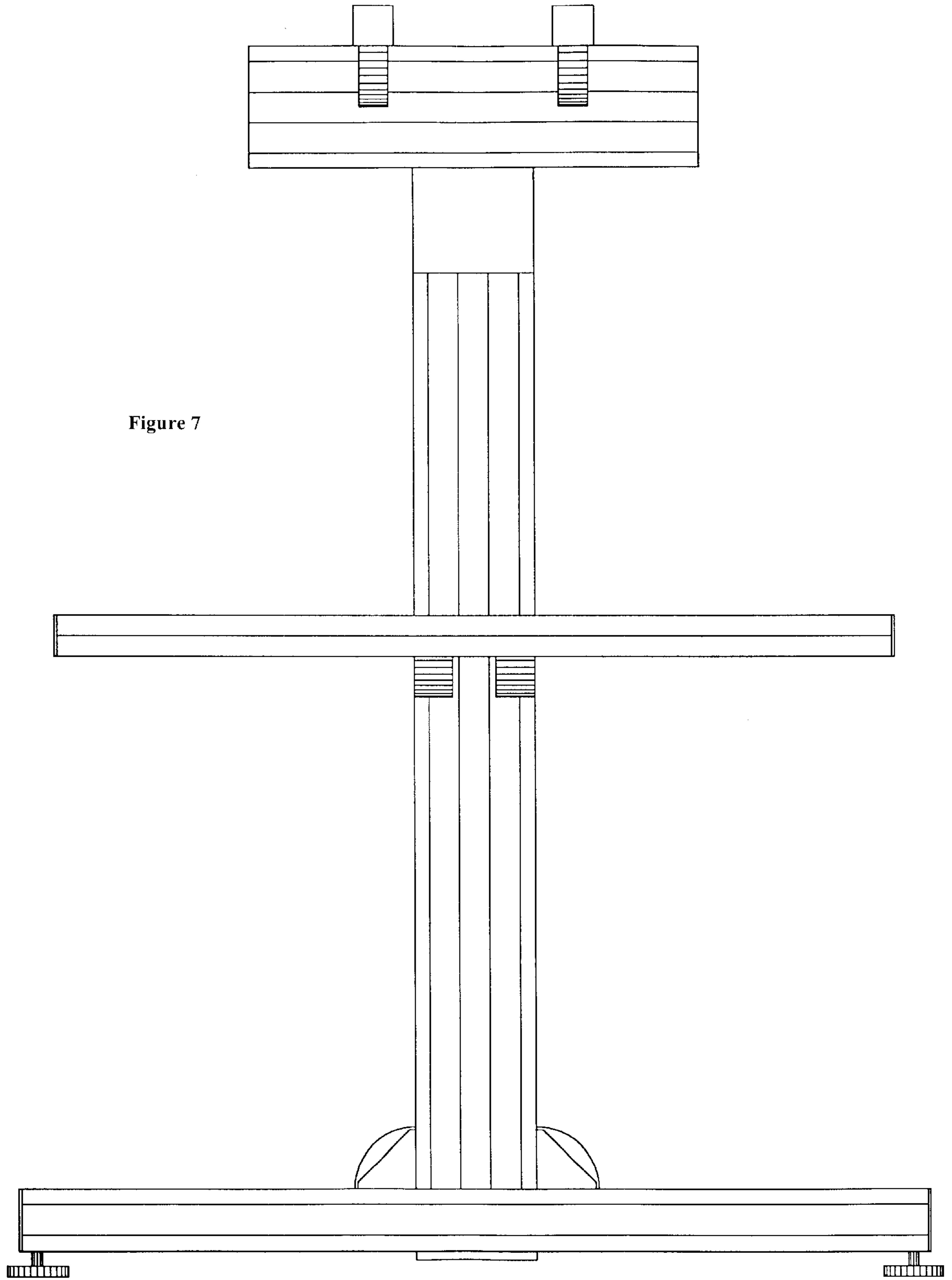


Figure 7

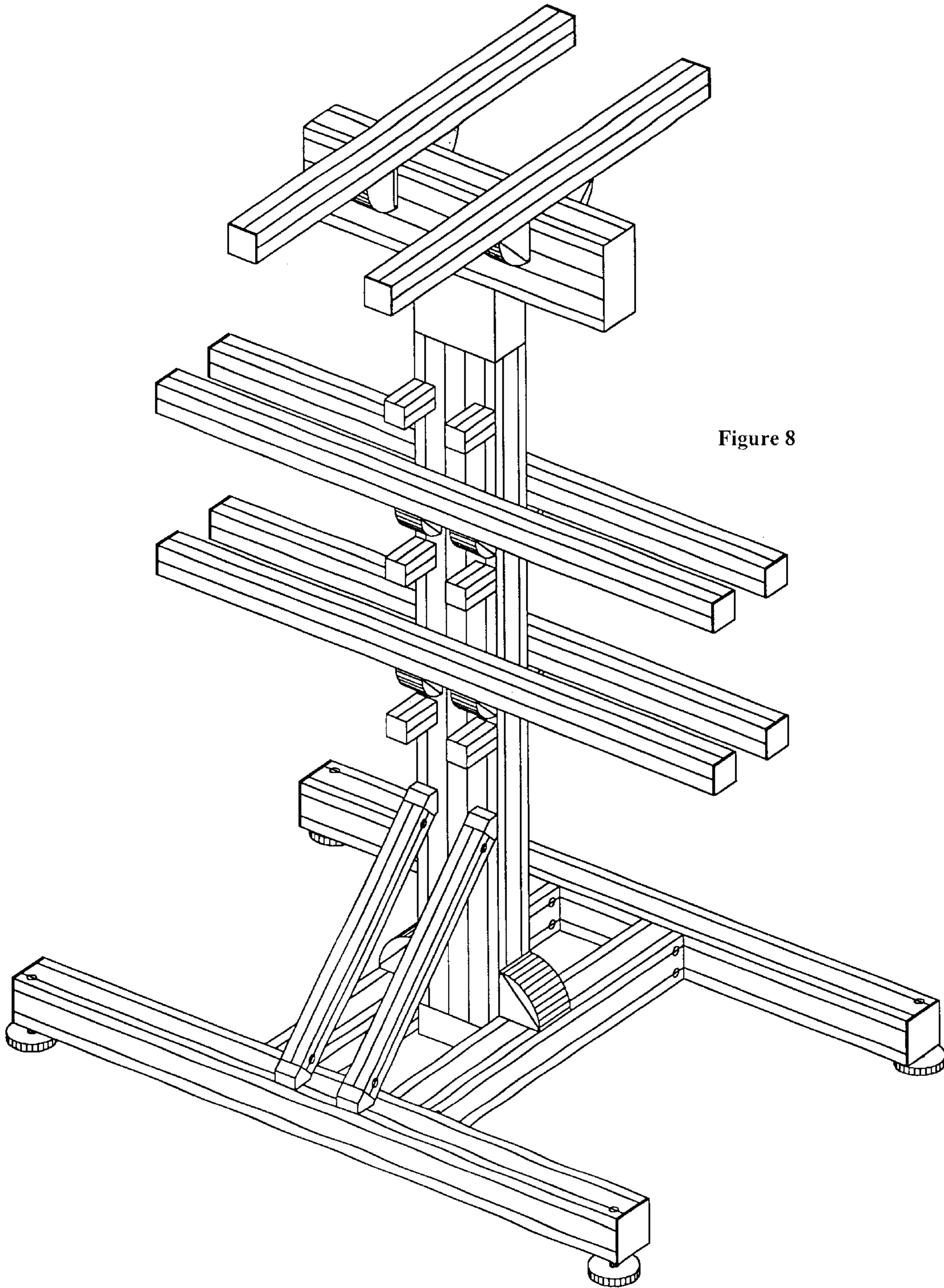


Figure 8

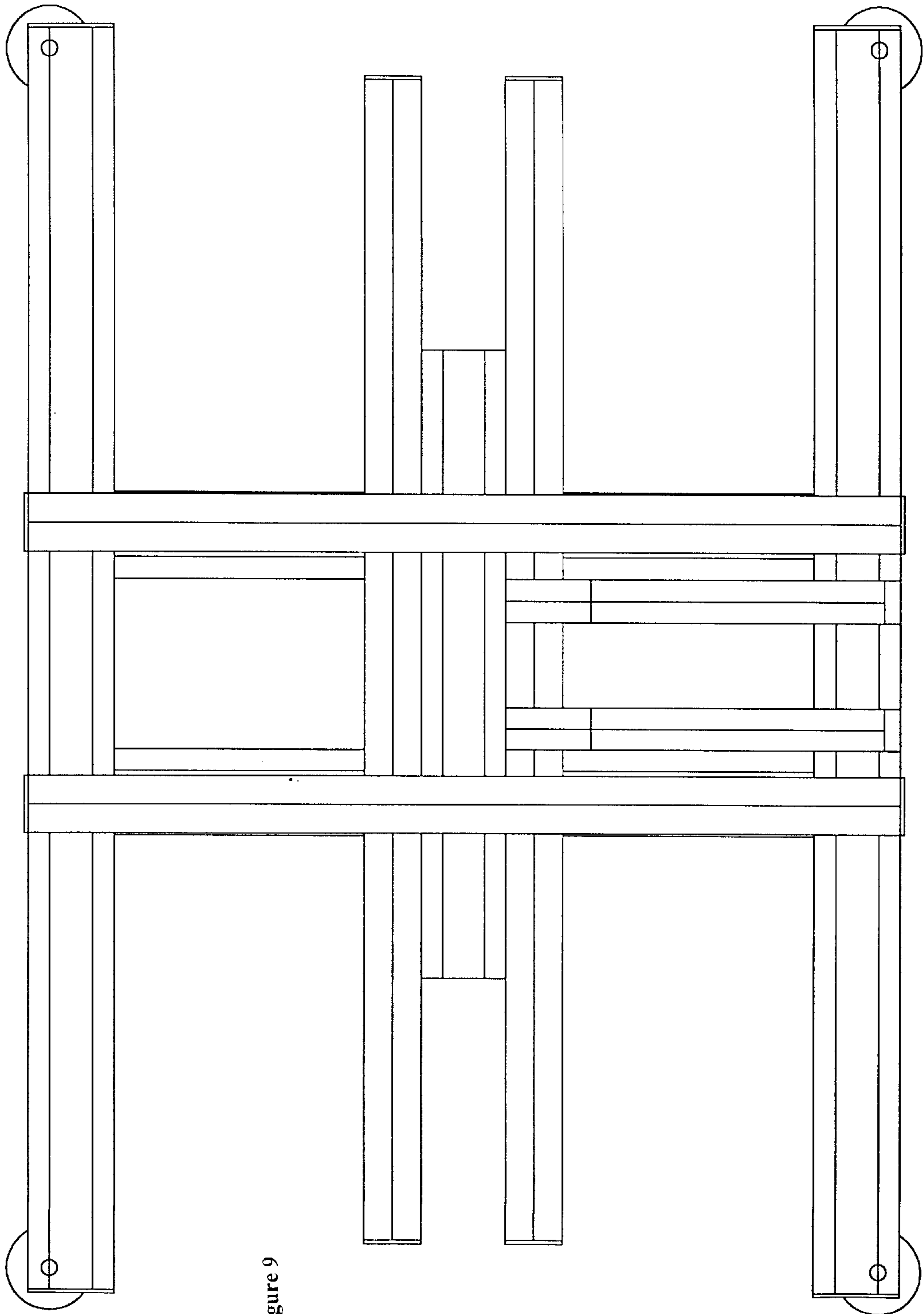


Figure 9

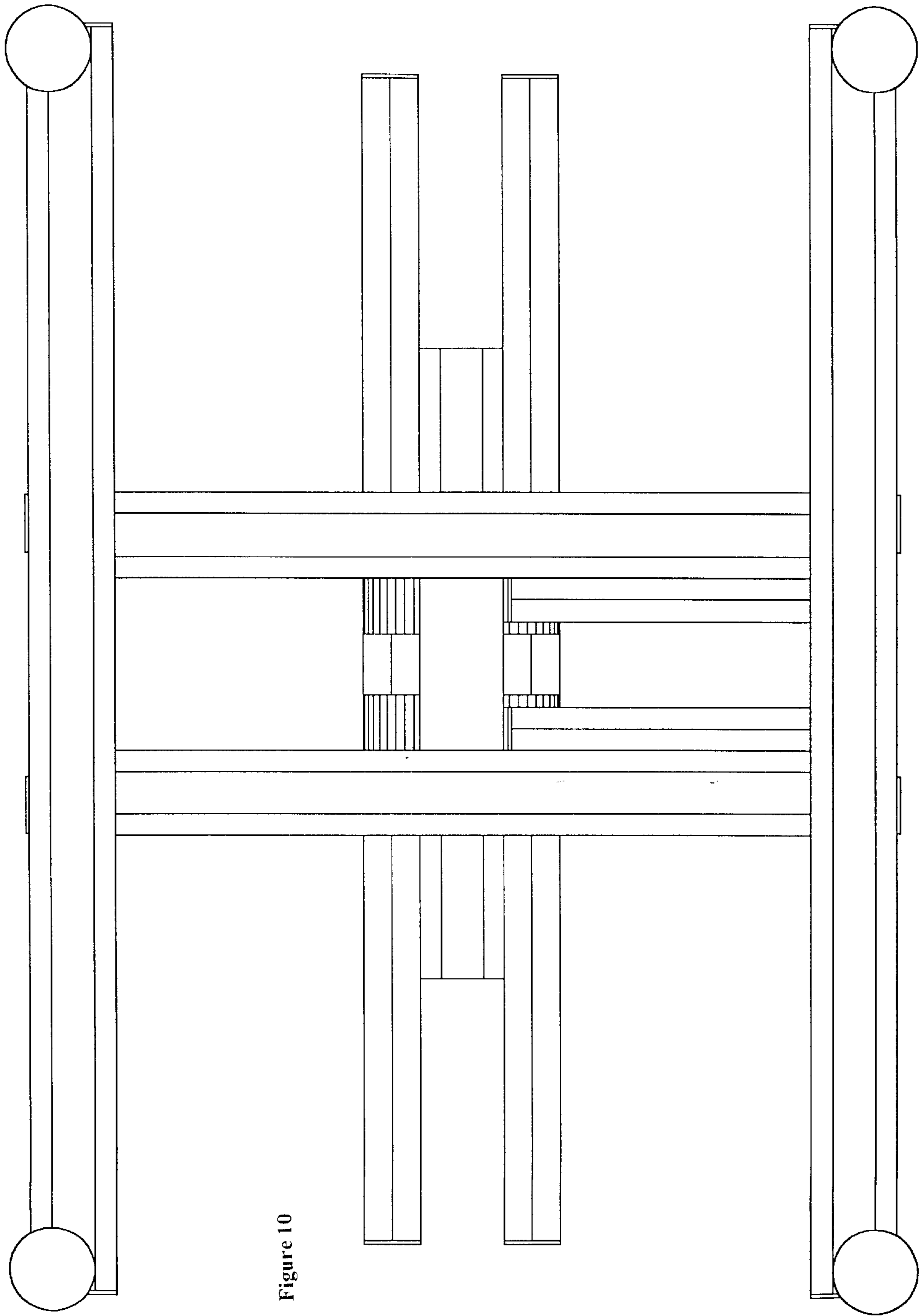


Figure 10

Figure 11

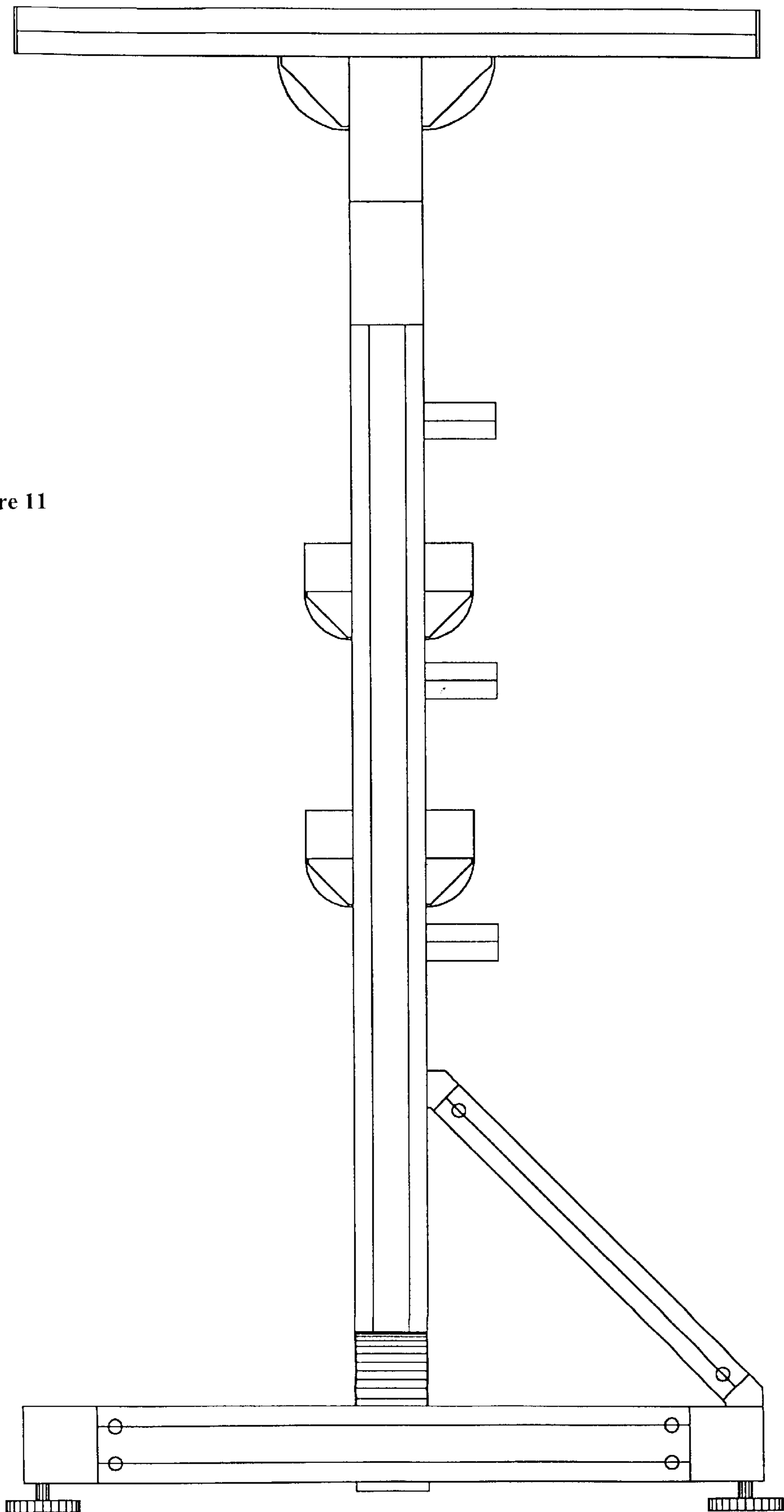
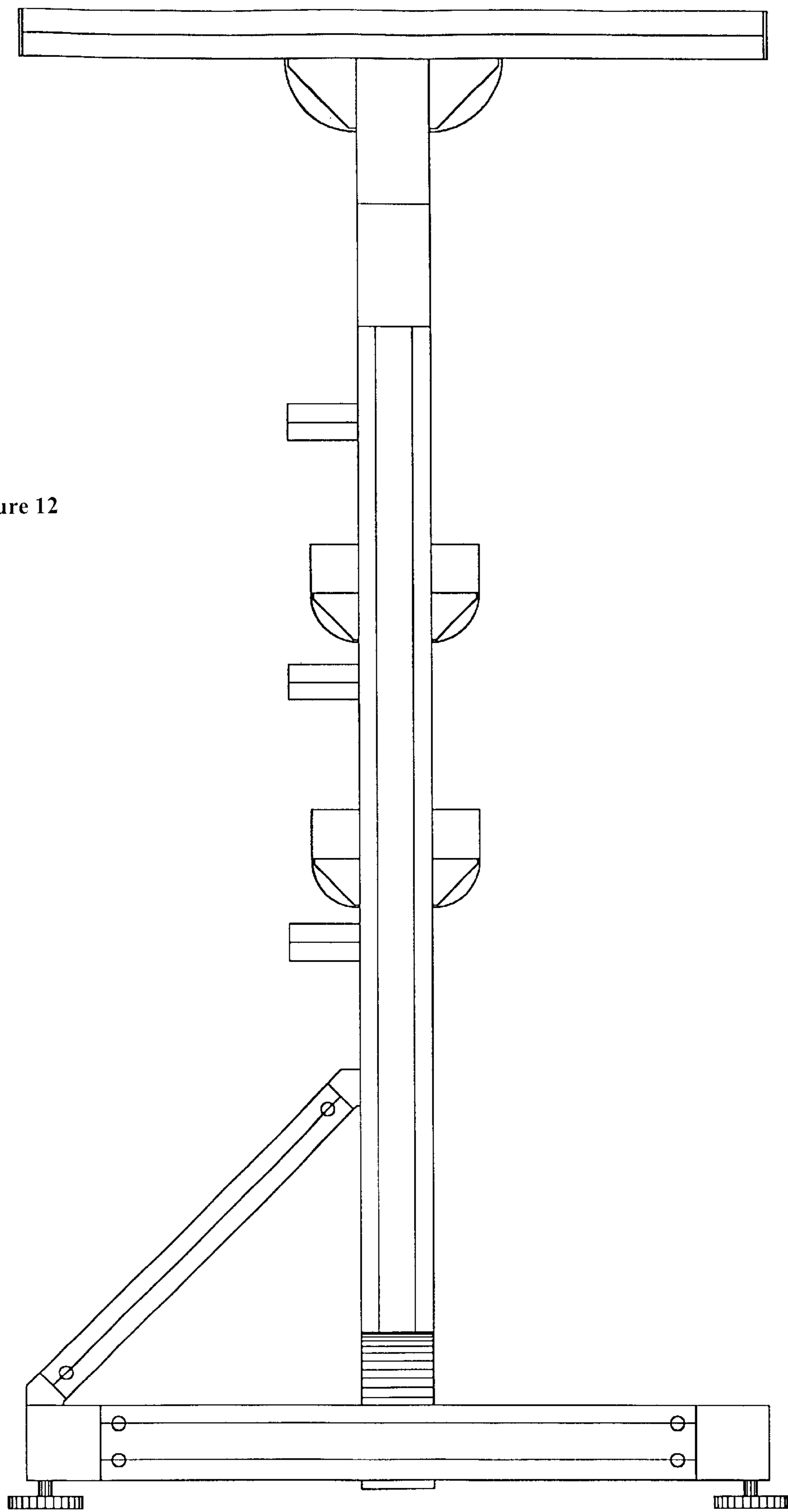
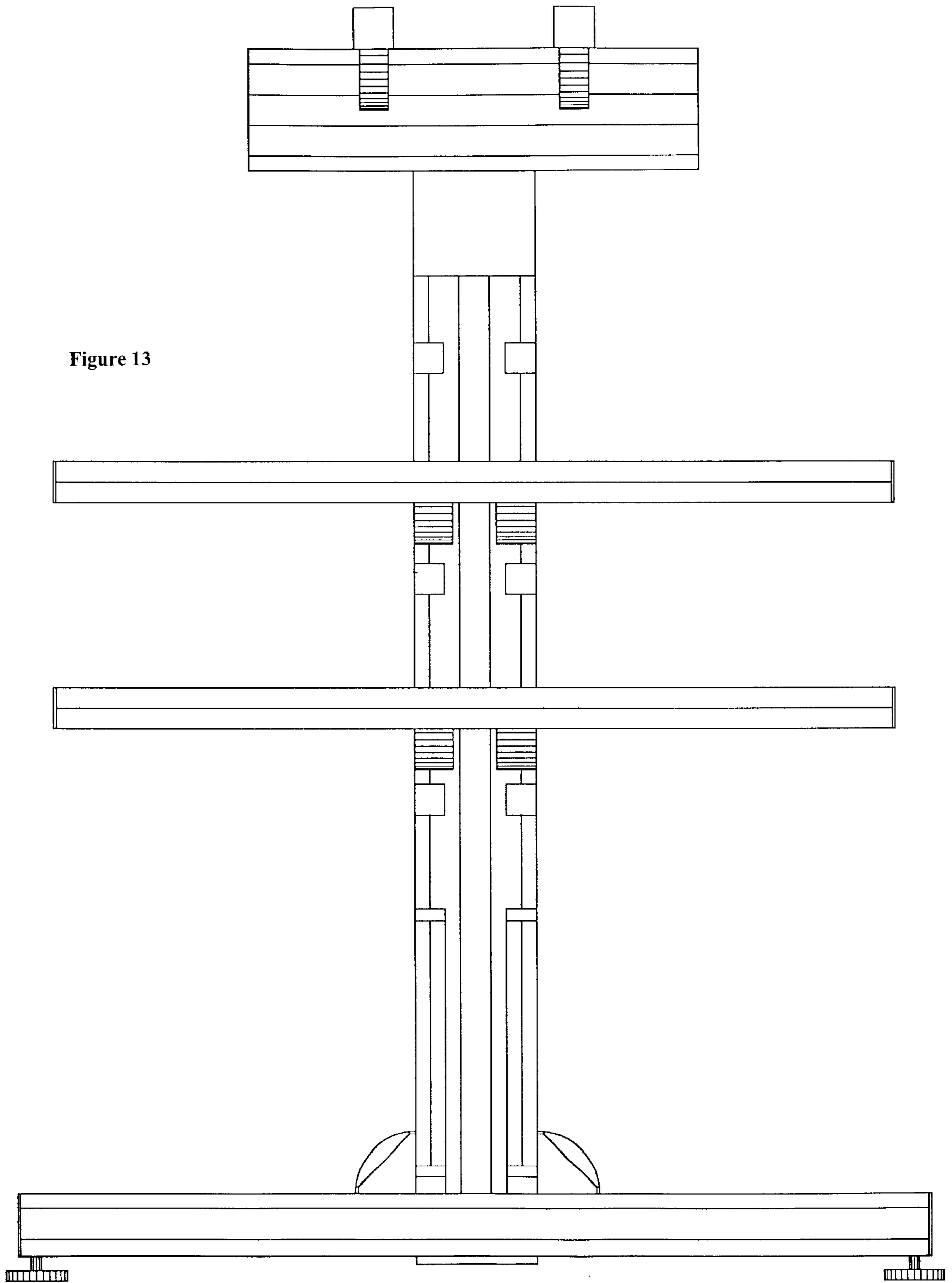
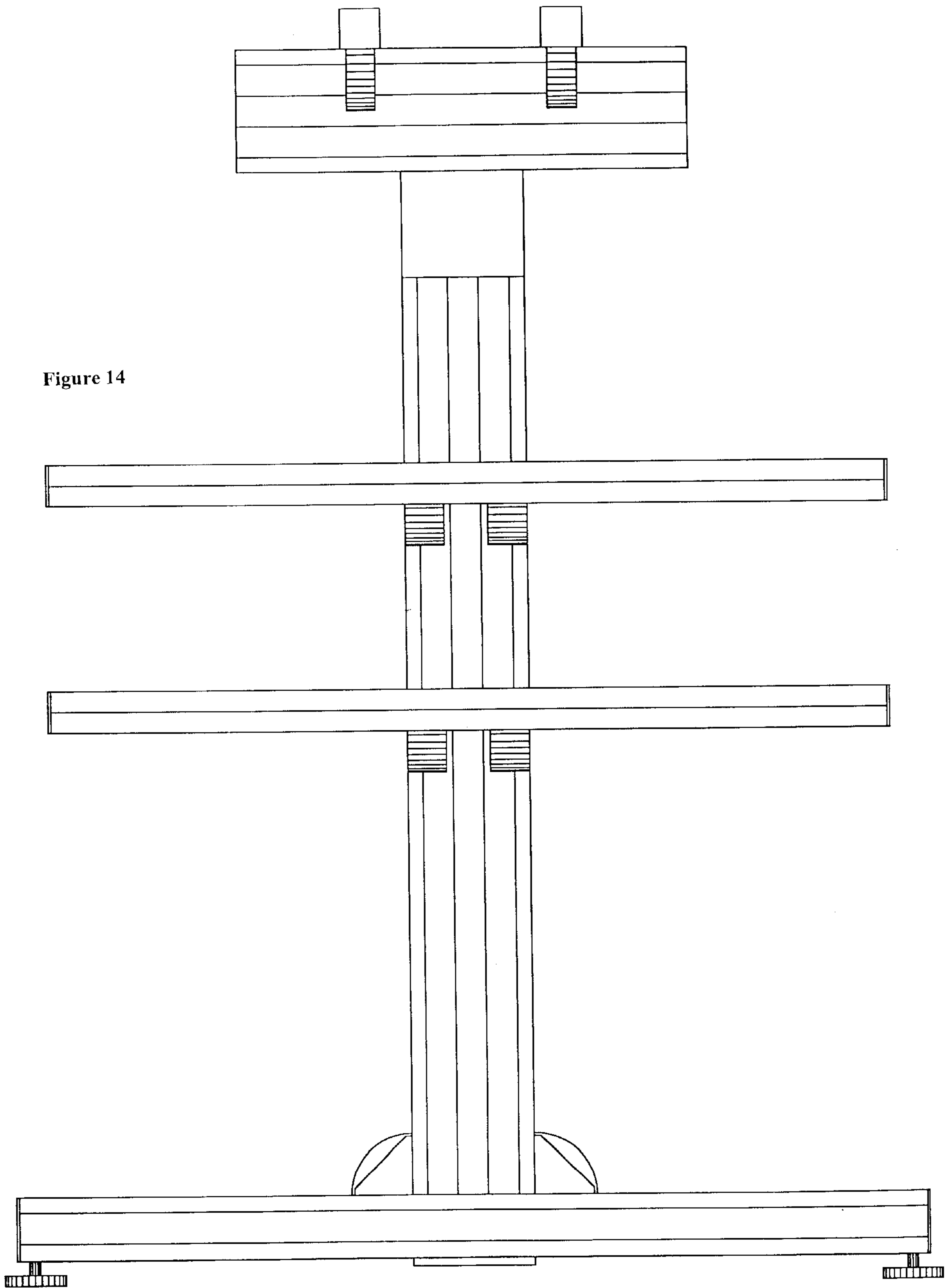


Figure 12







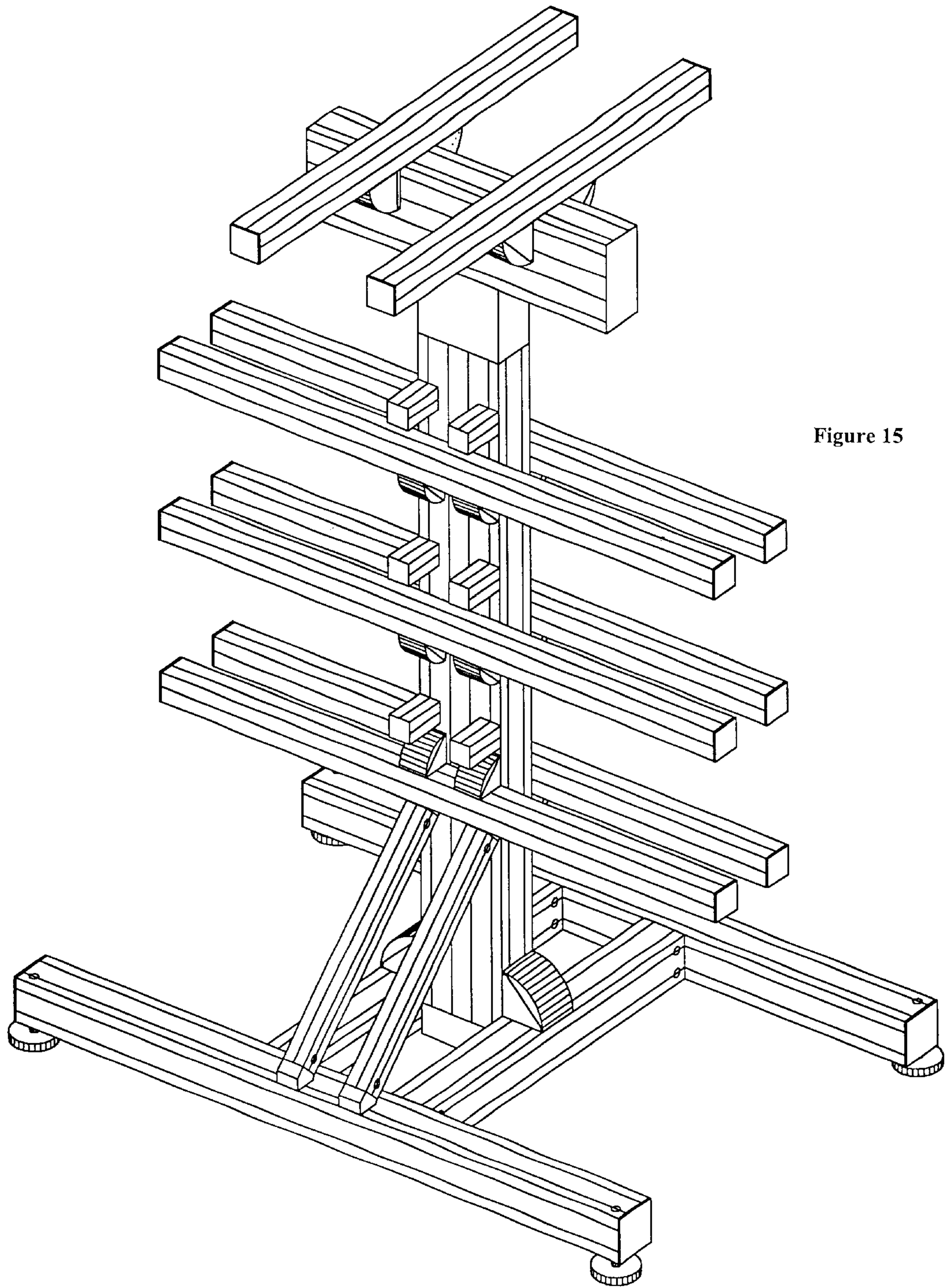


Figure 15

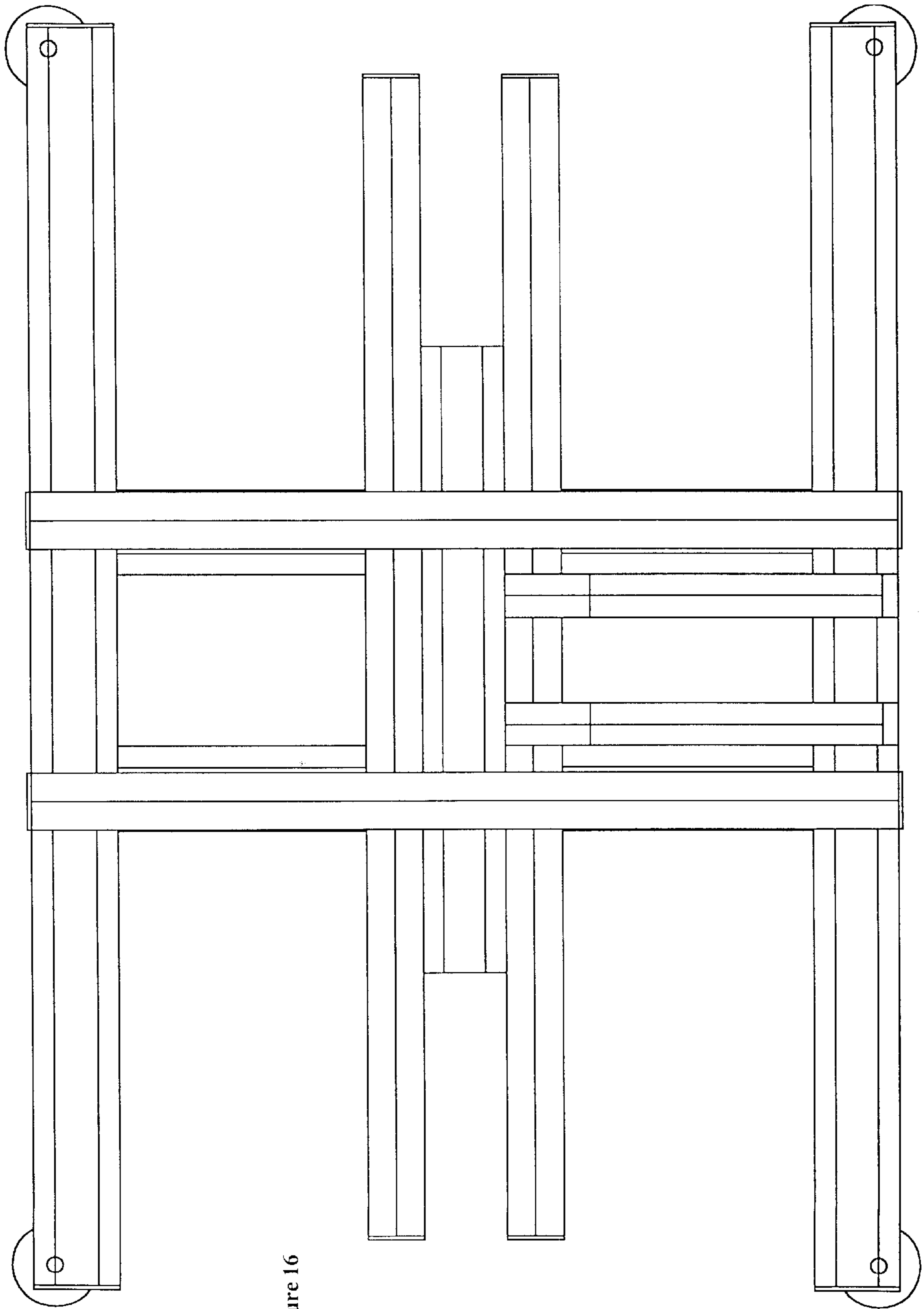


Figure 16

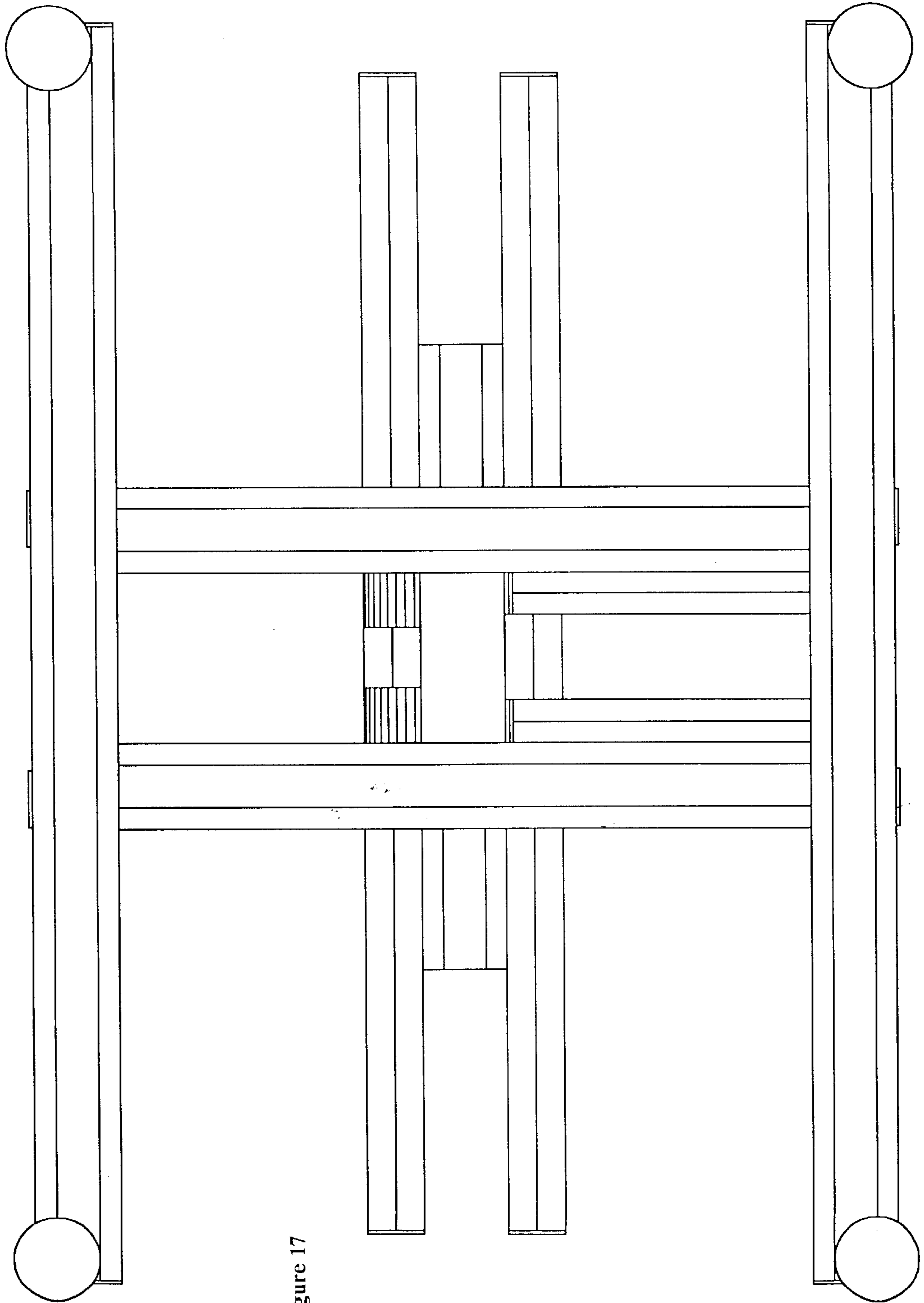


Figure 17

Figure 18

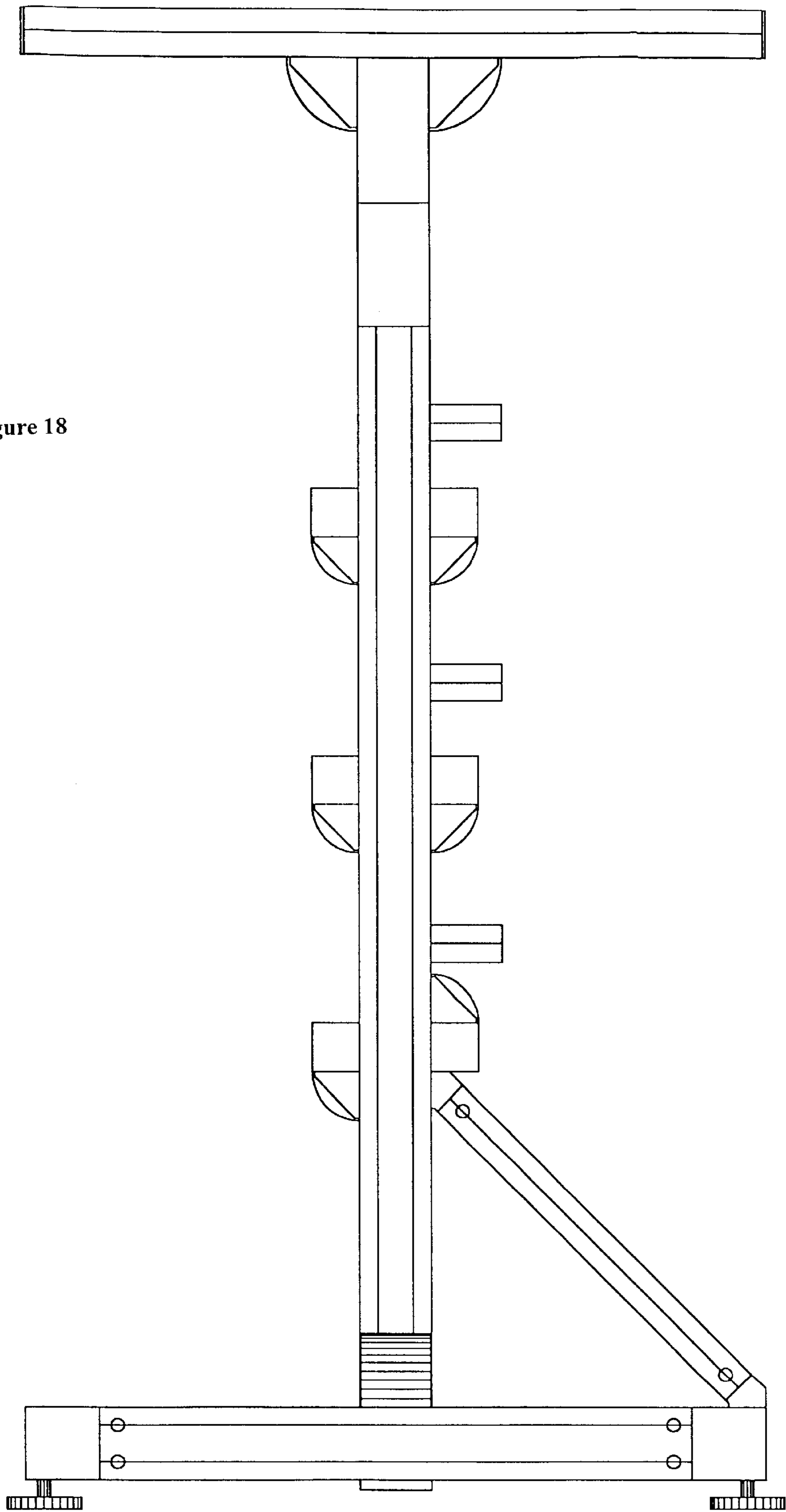
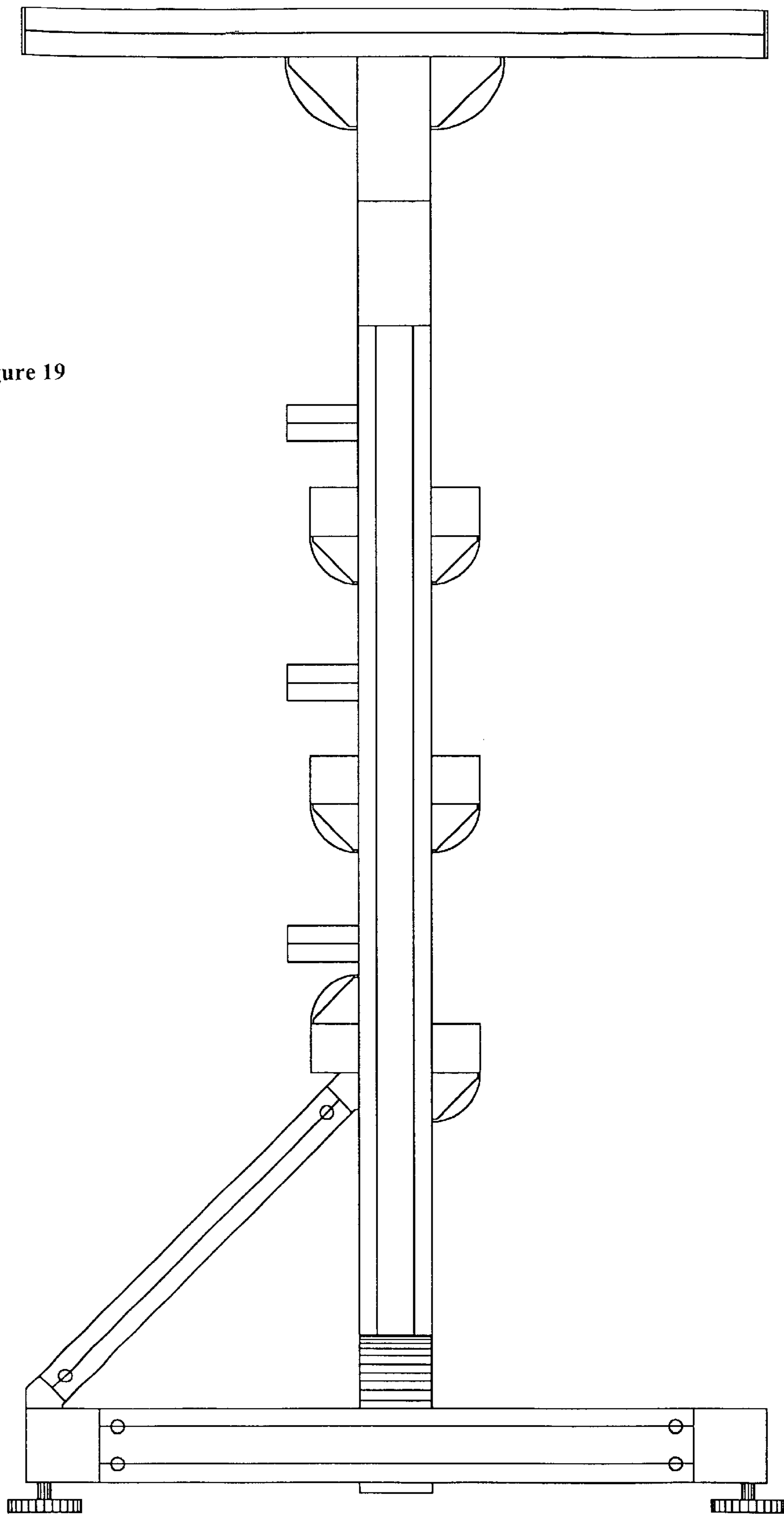
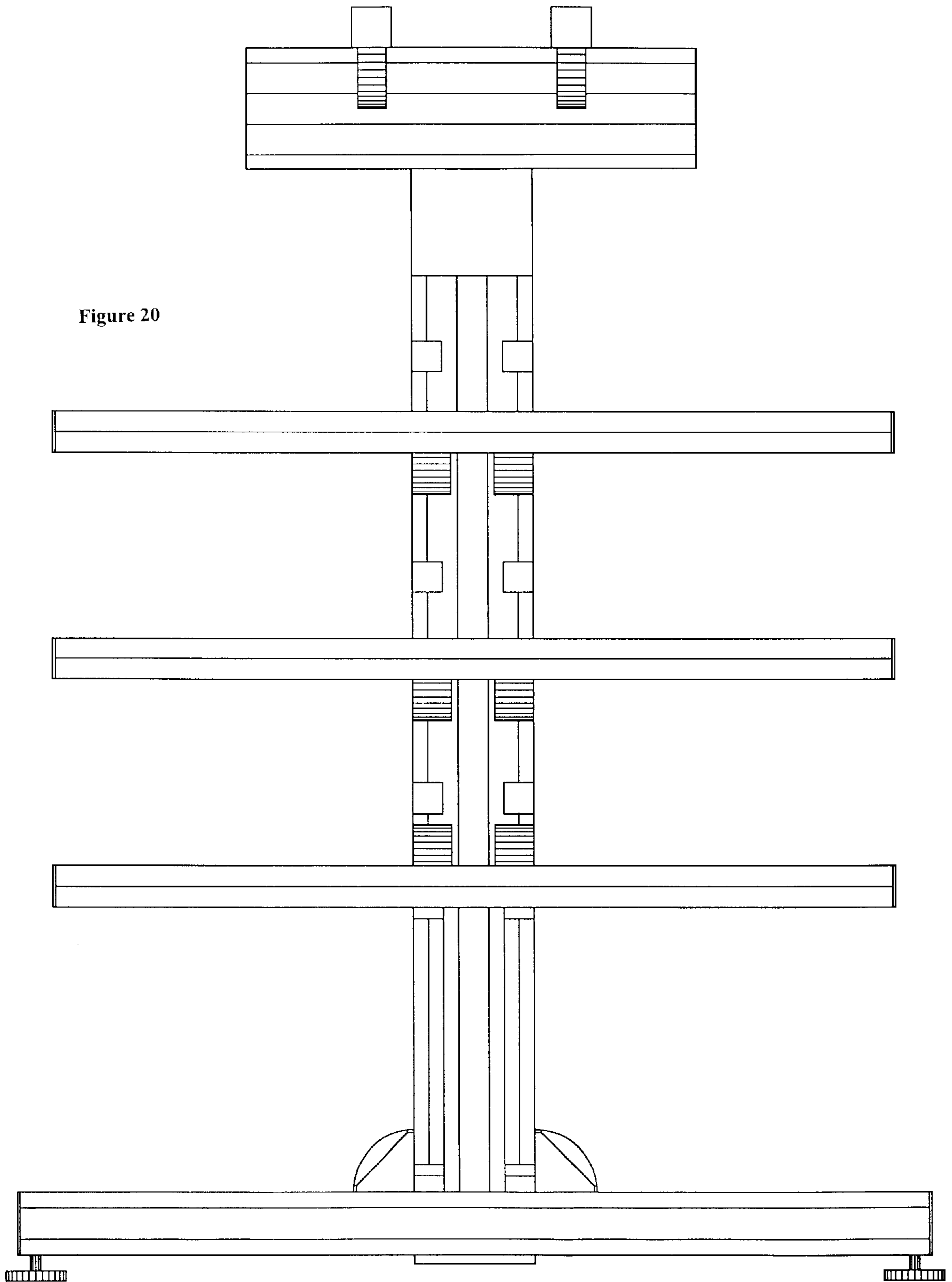
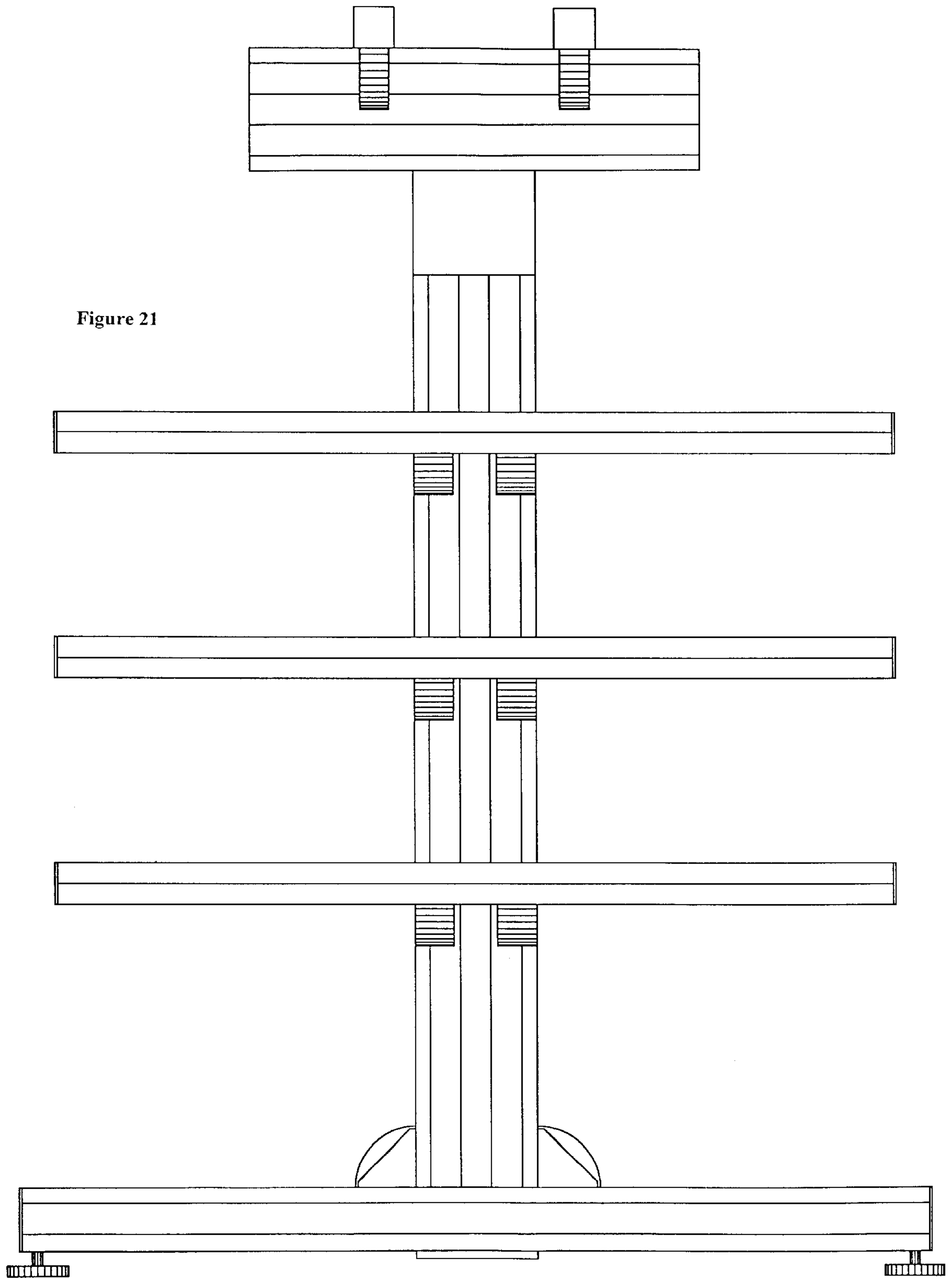


Figure 19







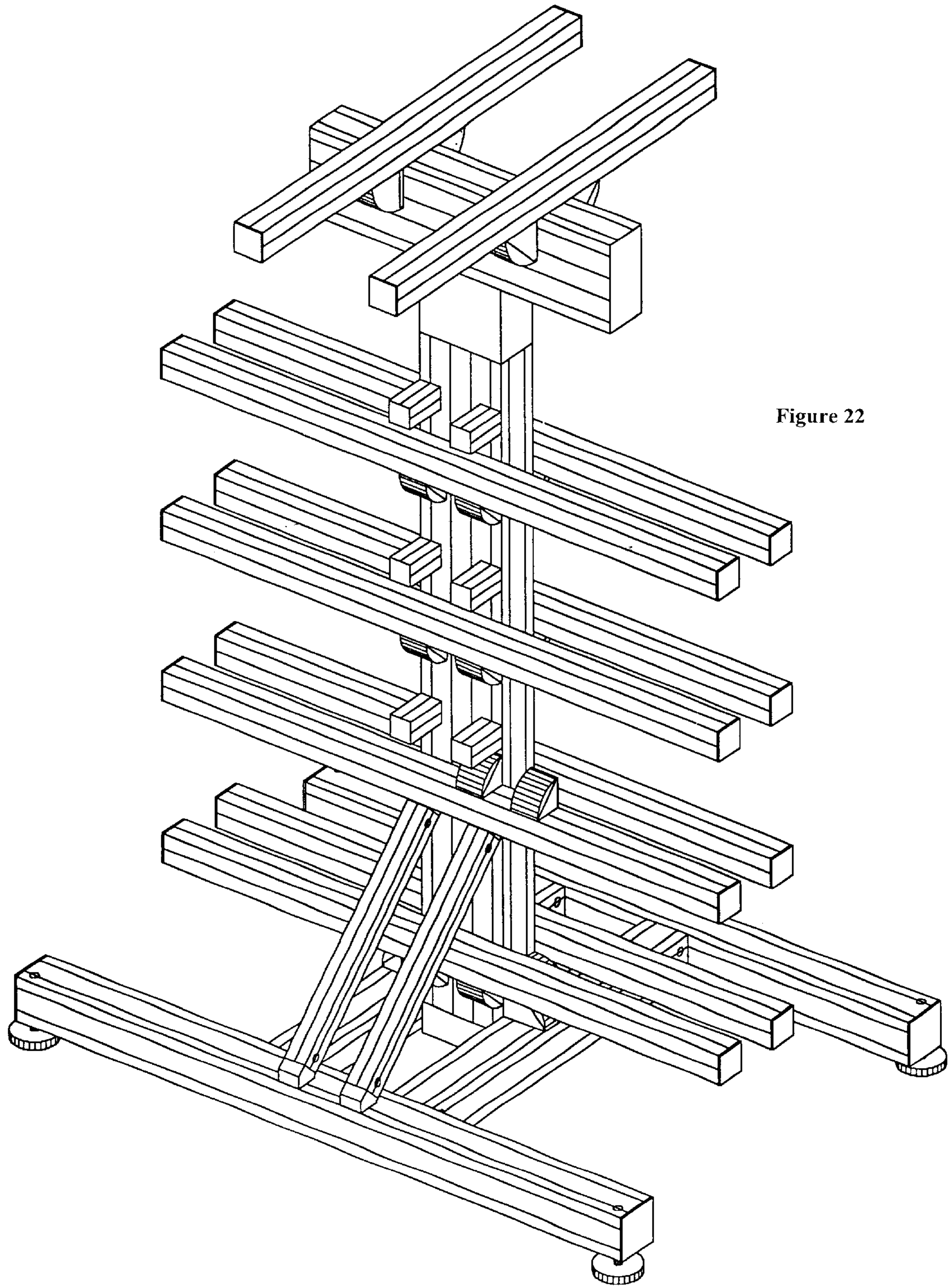


Figure 22

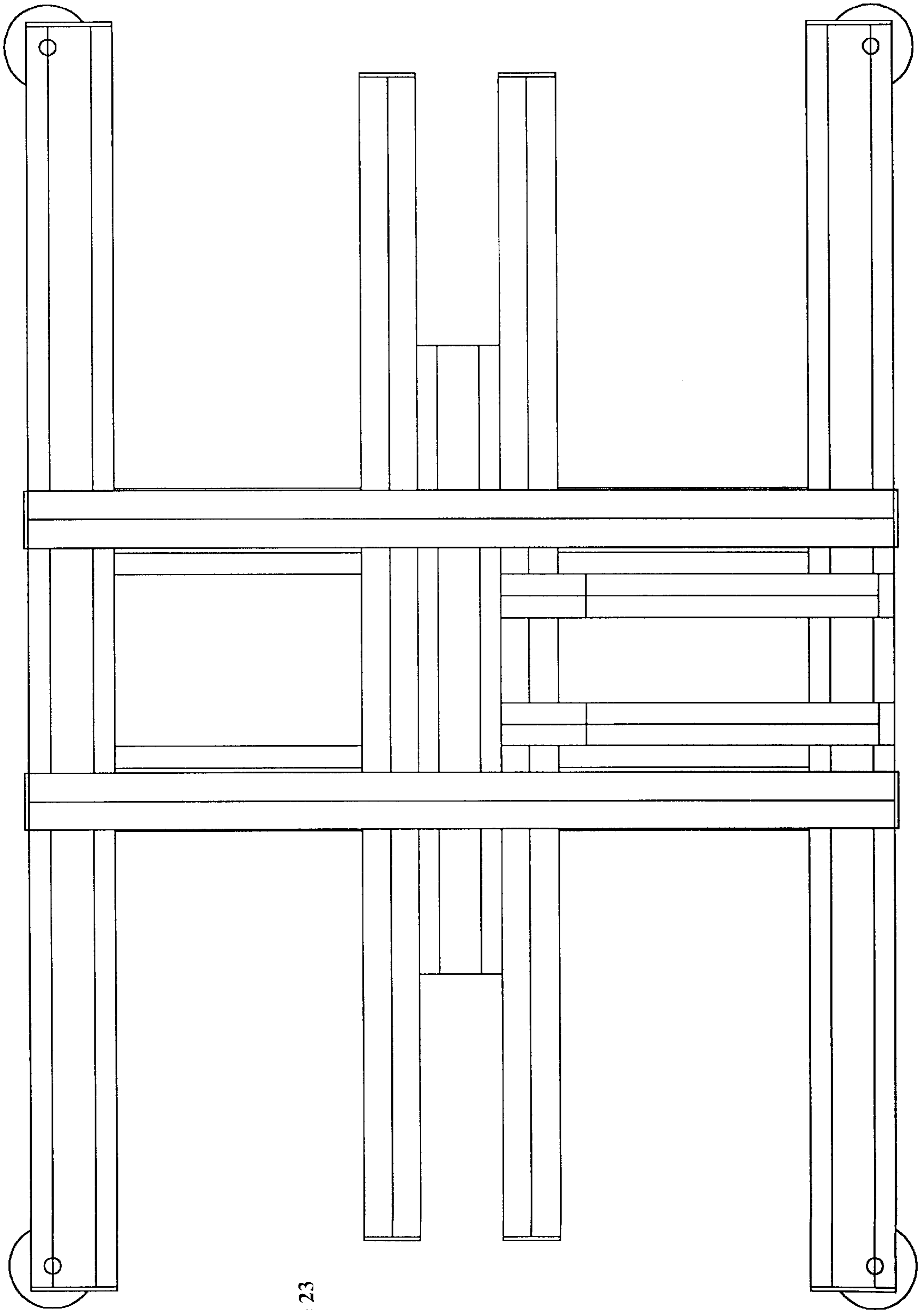


Figure 23

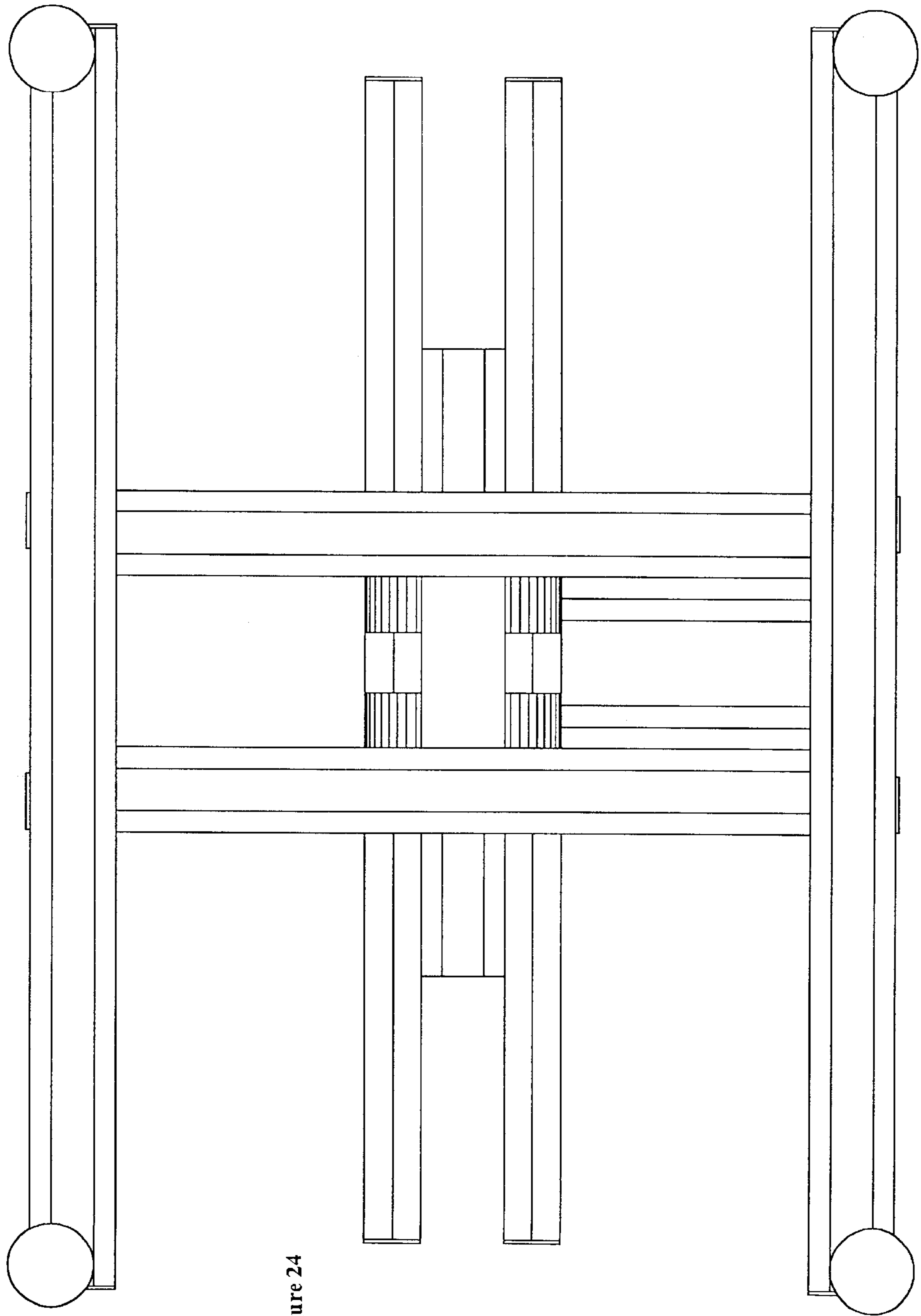


Figure 24

Figure 25

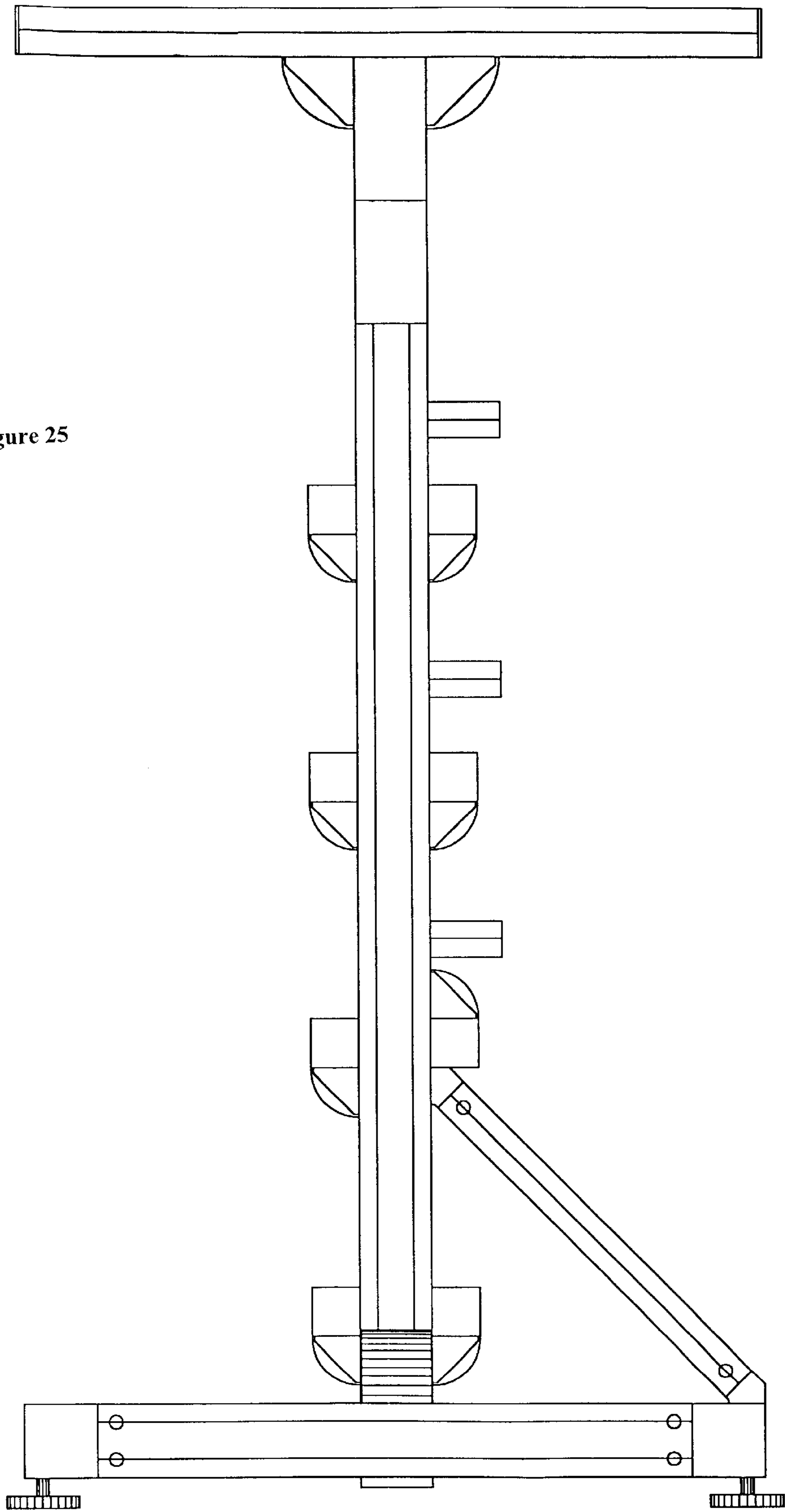


Figure 26

