



US00D470637S

(12) **United States Design Patent**  
**Berthier**

(10) **Patent No.:** **US D470,637 S**

(45) **Date of Patent:** **\*\* Feb. 18, 2003**

(54) **STEAM GENERATING BASE**

D423,163 S \* 4/2000 Stützer et al. .... D32/73  
D439,023 S \* 3/2001 Powell ..... D32/73

(75) Inventor: **Marc Berthier**, Paris (FR)

**FOREIGN PATENT DOCUMENTS**

(73) Assignee: **Calor S.A.**, Lyons (FR)

WO WO 01/53596 \* 7/2001 ..... D06F/79/02

(\*\*) Term: **14 Years**

\* cited by examiner

(21) Appl. No.: **29/154,137**

*Primary Examiner*—Alan P. Douglas

*Assistant Examiner*—Lavone D. Tabor

(22) Filed: **Jan. 22, 2002**

(74) *Attorney, Agent, or Firm*—Browdy and Neimark,  
P.L.L.C.

(30) **Foreign Application Priority Data**

Jul. 19, 2001 (FR) ..... 01 4274

(57) **CLAIM**

(51) **LOC (7) Cl.** ..... **07-05**

The ornamental design for a steam generating base, as shown and described.

(52) **U.S. Cl.** ..... **D32/73**

(58) **Field of Search** ..... D32/68, 71, 73;  
38/75, 77.6, 96, 141, 142; 219/246-252,  
259; 248/117.1, 117.2, 117.3; 392/394,  
404

**DESCRIPTION**

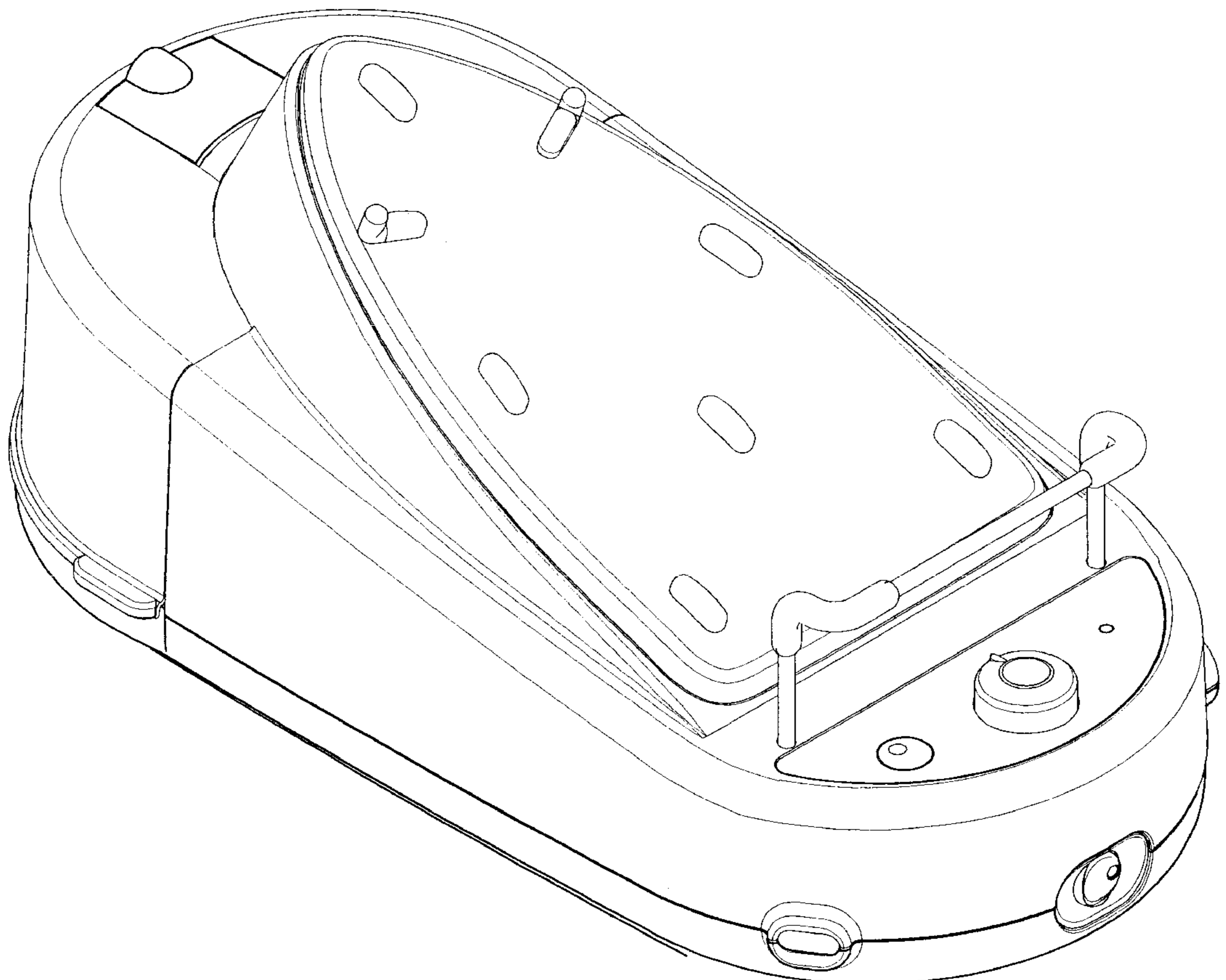
(56) **References Cited**

**U.S. PATENT DOCUMENTS**

D364,019 S \* 11/1995 Reibl ..... D32/73  
D370,324 S \* 5/1996 Villa ..... D32/73  
D374,527 S \* 10/1996 Gudefin ..... D32/68  
D388,921 S \* 1/1998 Doria ..... D32/73

FIG. 1 is a perspective view of a steam generating base in accordance with the present design;  
FIG. 2 is a left side elevational view thereof;  
FIG. 3 is a right side elevational view thereof;  
FIG. 4 is a front elevational view thereof;  
FIG. 5 is a rear elevational view thereof;  
FIG. 6 is a top plan view thereof; and,  
FIG. 7 is a bottom plan view thereof.

**1 Claim, 7 Drawing Sheets**



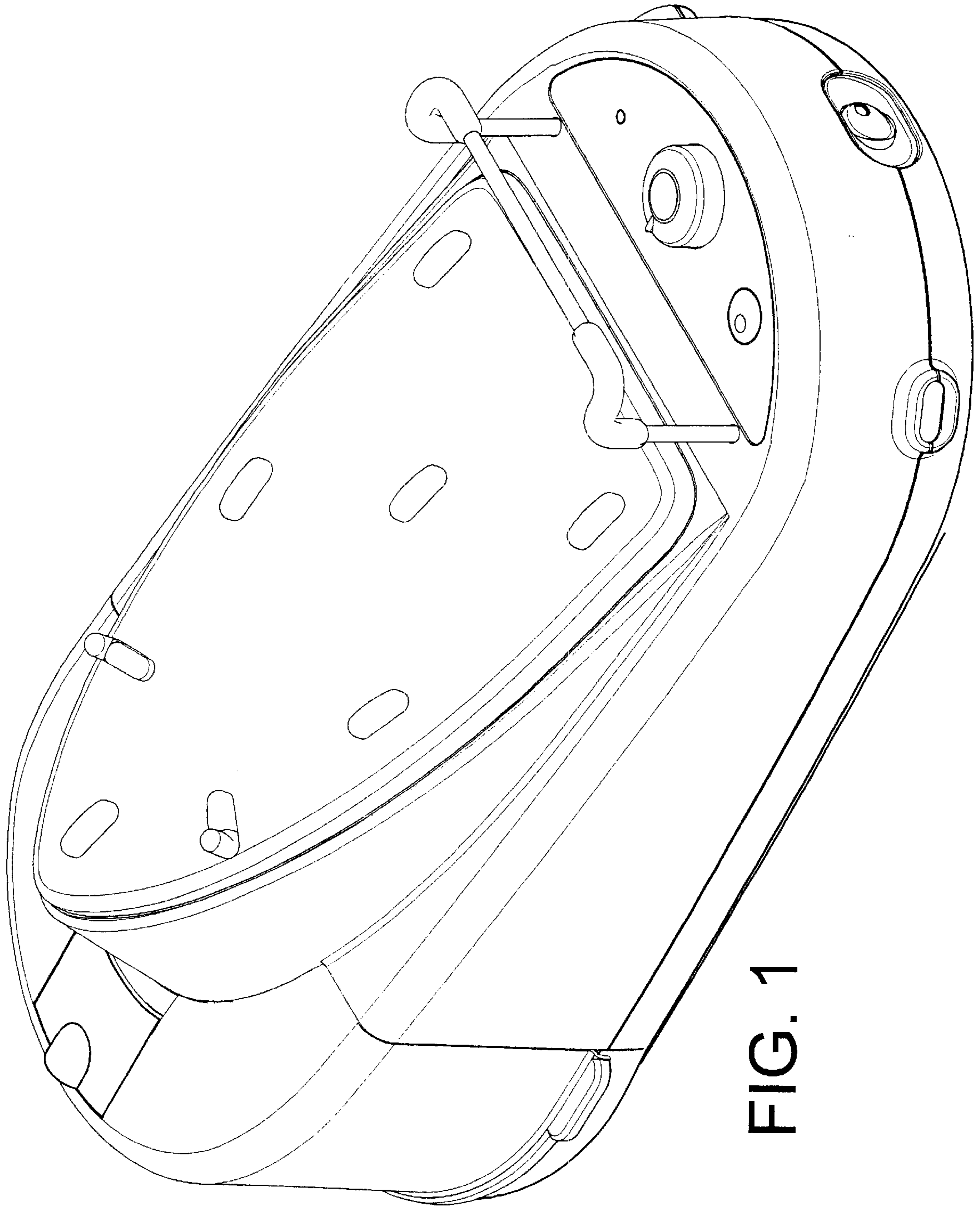


FIG. 1

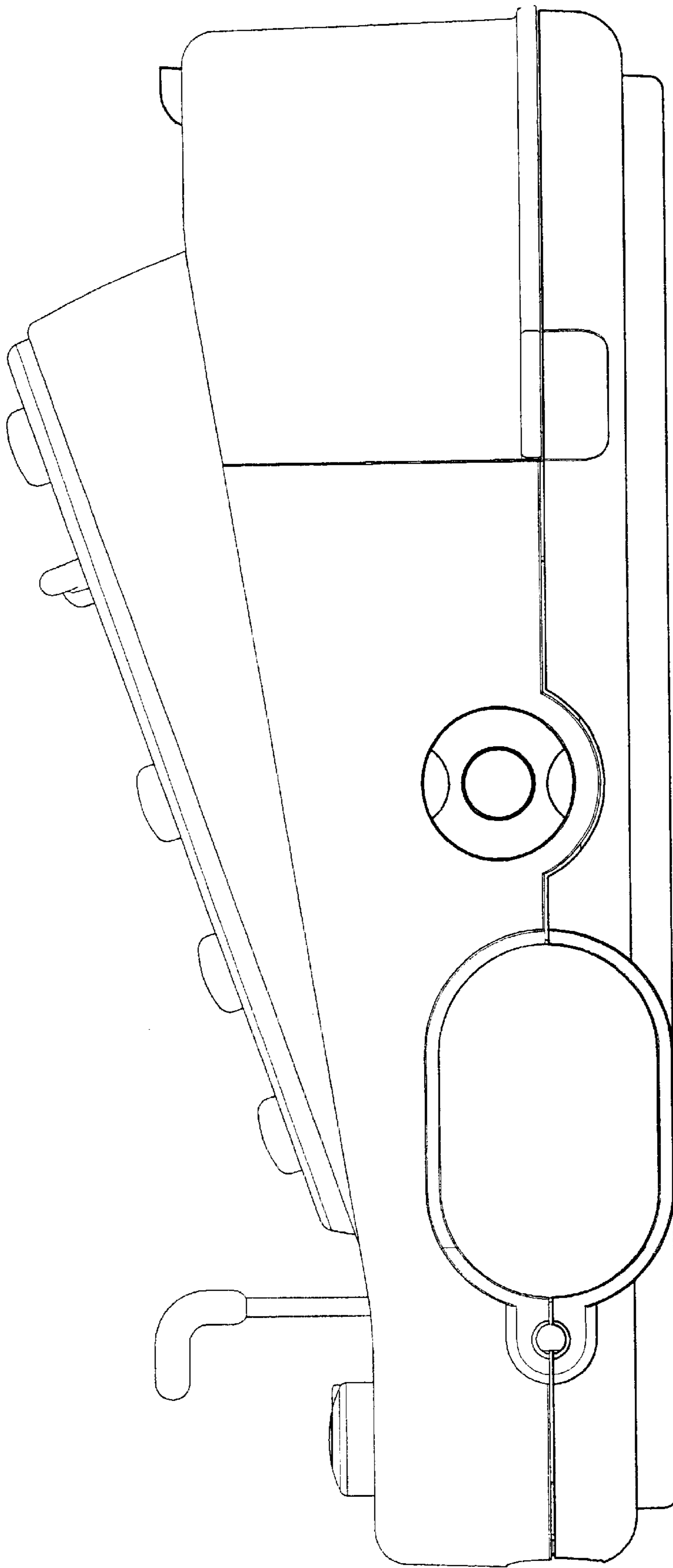


FIG. 2

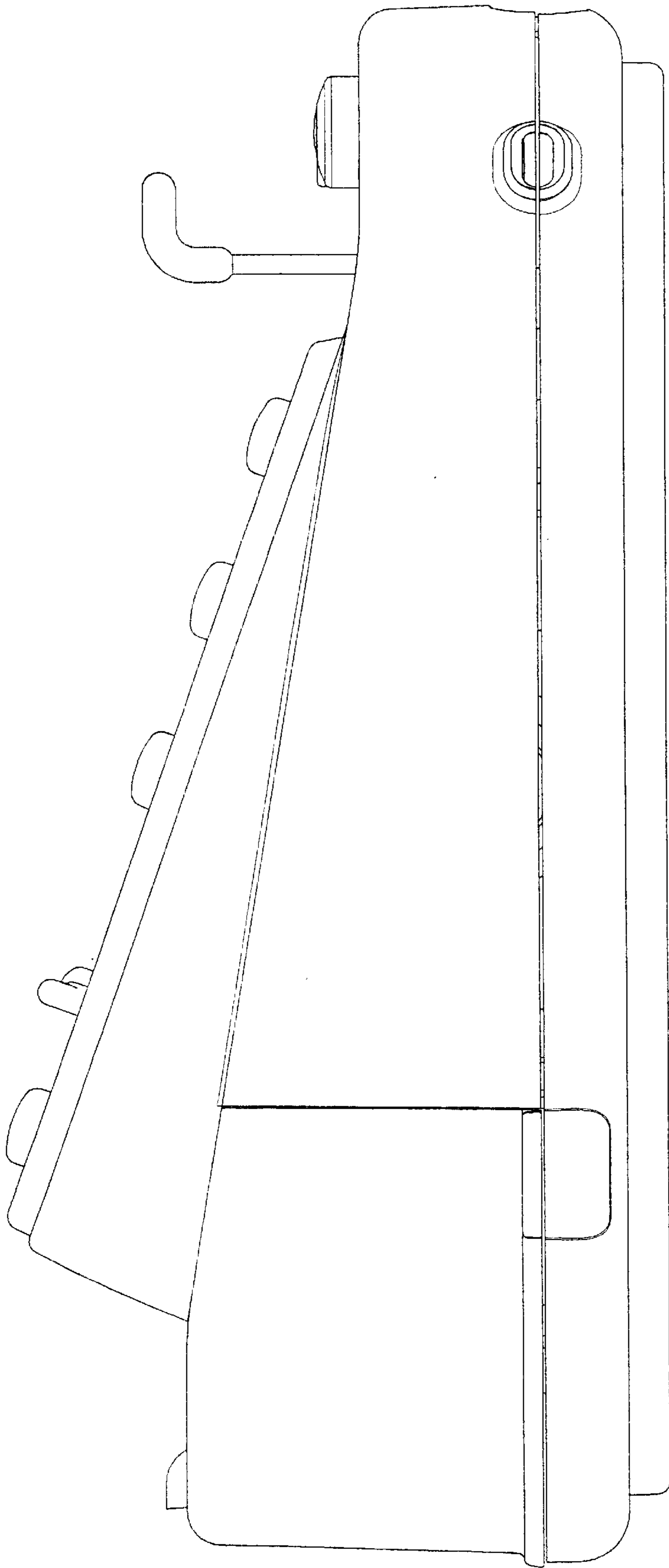


FIG. 3

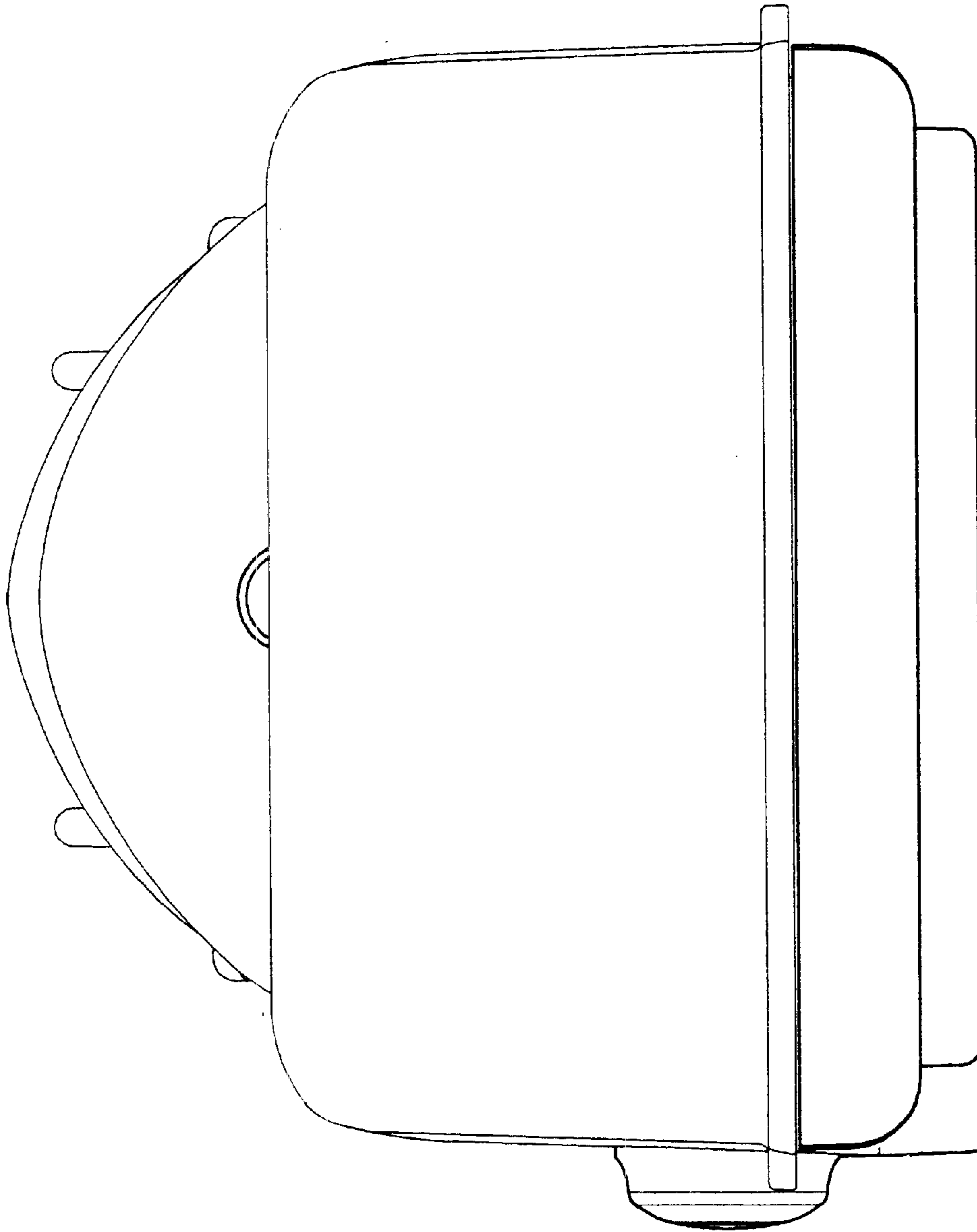


FIG. 4

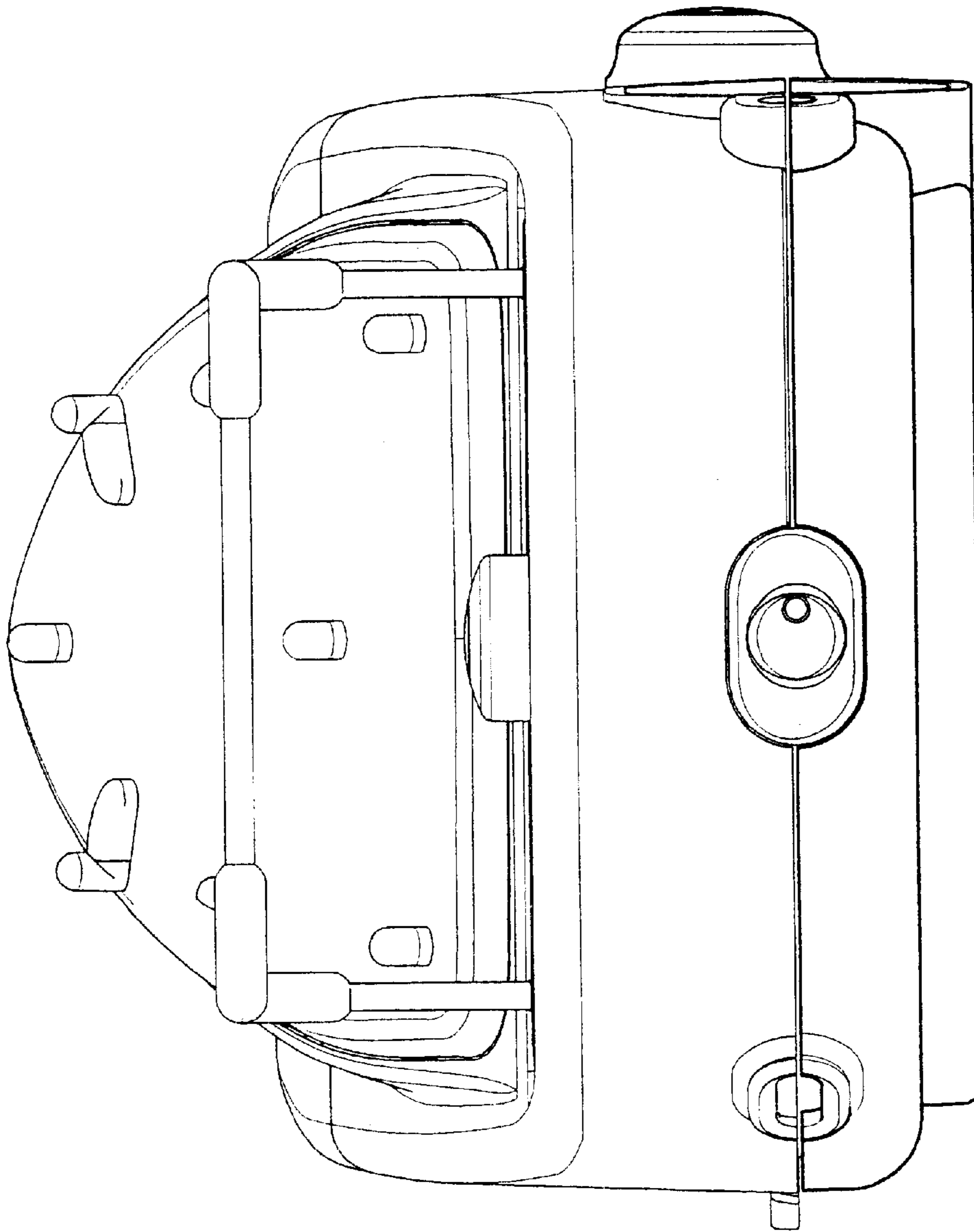


FIG. 5

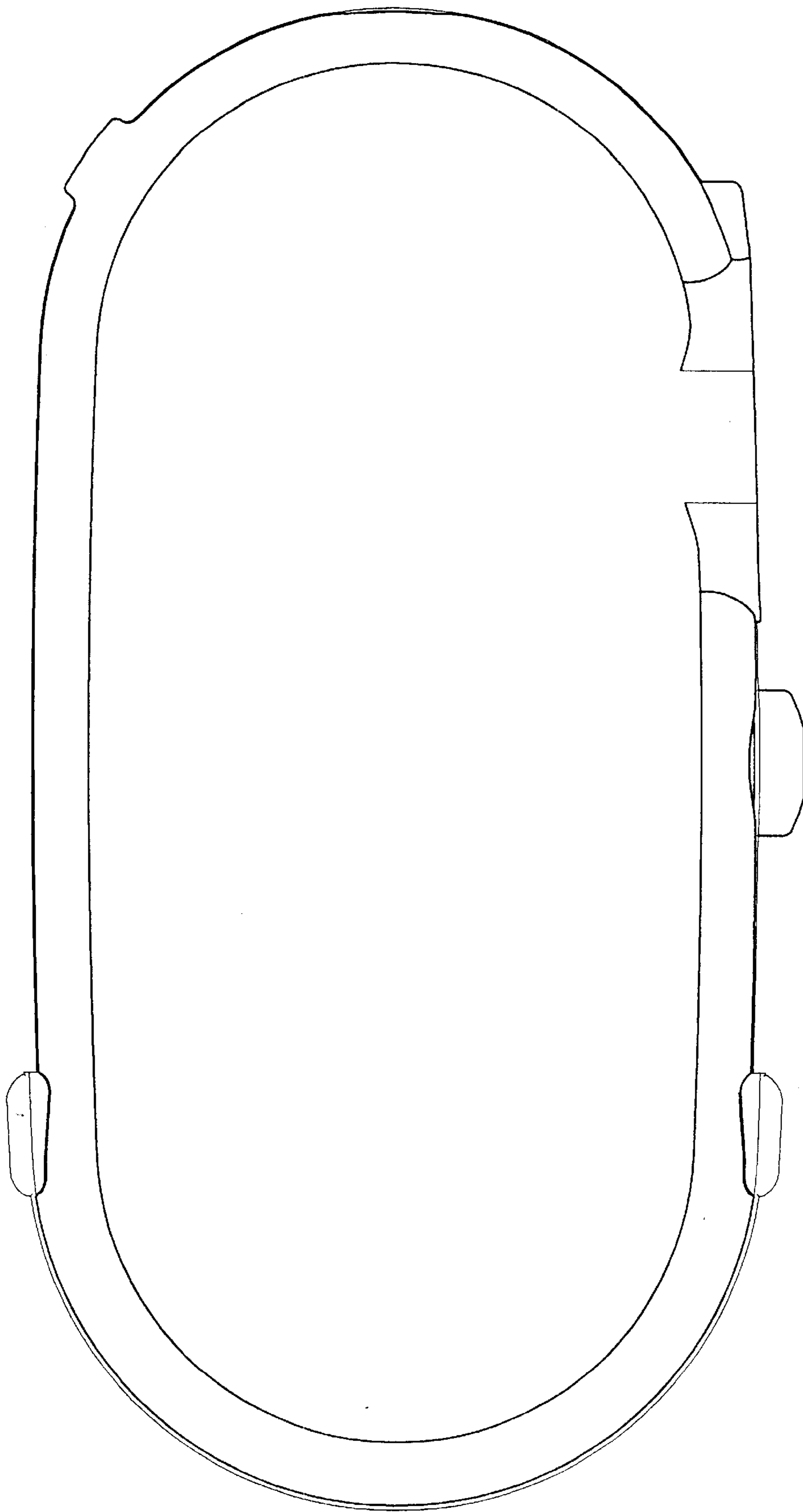


FIG. 6

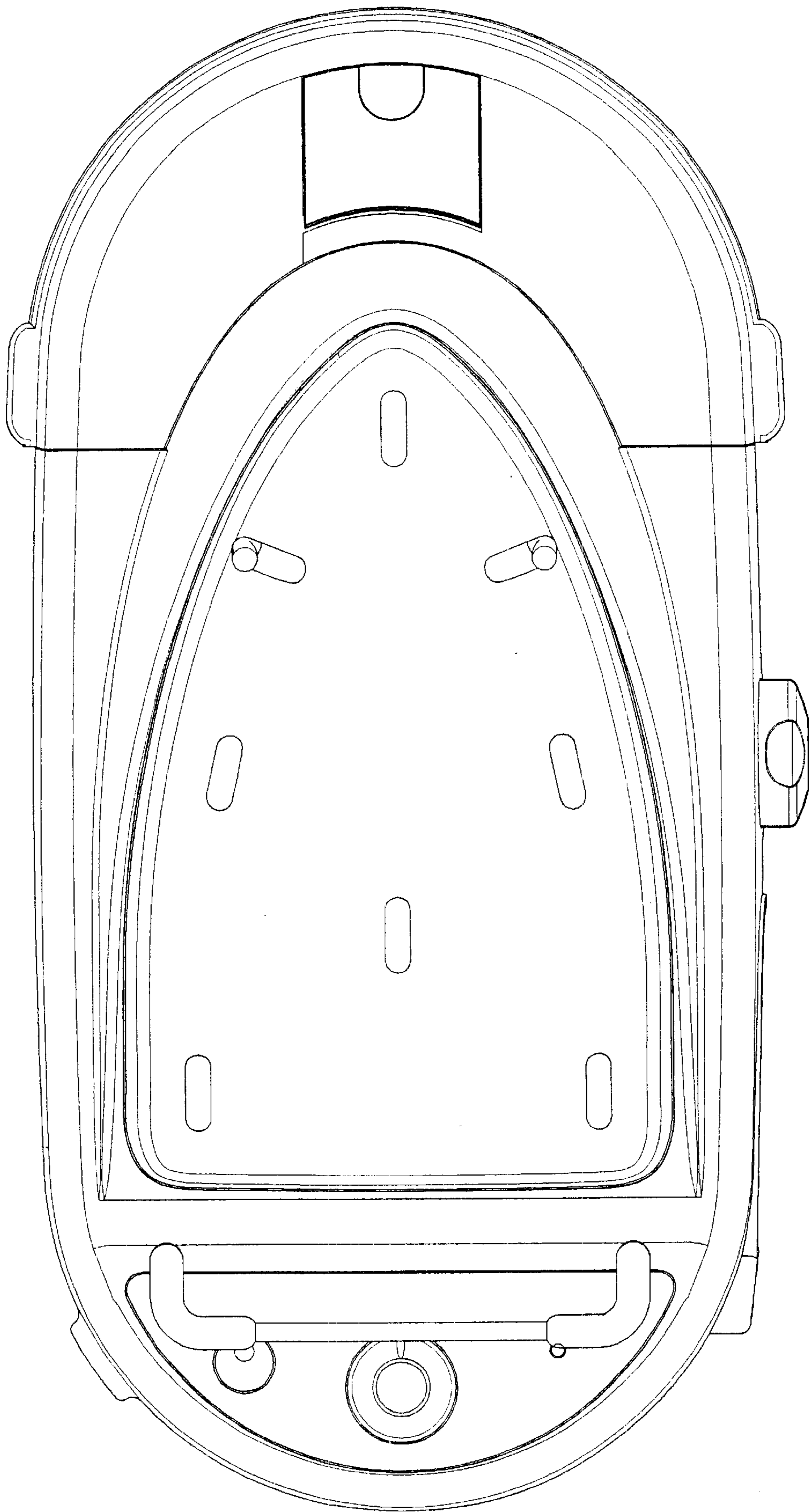


FIG. 7