



US00D470633S

(12) **United States Design Patent**
Kitts

(10) **Patent No.:** **US D470,633 S**

(45) **Date of Patent:** **** Feb. 18, 2003**

(54) **DUST CLEANING TOOL ADAPTIVE TO A VACUUM CLEANER NOZZLE**

(75) Inventor: **Keith D. Kitts**, Glenview, IL (US)

(73) Assignee: **Koblentz Electrica, S.A. de C.V.**,
Cauautitlan Izcalli (MX)

(**) Term: **14 Years**

(21) Appl. No.: **29/155,431**

(22) Filed: **Feb. 7, 2002**

(51) **LOC (7) Cl.** **15-05**

(52) **U.S. Cl.** **D32/33**

(58) **Field of Search** D32/31-33, 22,
D32/25; 15/322, 327.1-327.7, 329, 362,
393, 398, 400-401, 415.1-422.1

(56) **References Cited**

U.S. PATENT DOCUMENTS

D98,082 S	1/1936	Lofgren	
D103,240 S	2/1937	Lofgren	
D144,229 S	3/1946	Wittke	
D149,285 S	* 4/1948	Lippincott D32/32
D172,981 S	9/1954	Ortega	
D173,454 S	11/1954	Ortega et al.	
D175,227 S	* 7/1955	Martinec D32/33
D178,746 S	* 9/1956	Andersson-Sason D32/33
D179,671 S	* 2/1957	Andersson-Sason D32/33

D244,274 S	5/1977	Winard et al.	
D277,524 S	* 2/1985	Kubick D4/134
D306,506 S	3/1990	Houser	
D311,615 S	10/1990	Berfield et al.	
D369,448 S	* 4/1996	Blois et al. D32/33
D381,144 S	7/1997	Moiné et al.	
D392,780 S	3/1998	Holsten et al.	
D424,766 S	* 5/2000	Martin D32/32

* cited by examiner

Primary Examiner—Ruth McInroy

(74) *Attorney, Agent, or Firm*—Thomas J. Ring; Wildman, Harrold, Allen & Dixon

(57) **CLAIM**

The ornamental design for a dust cleaning tool adaptive to a vacuum cleaner nozzle, as shown and described.

DESCRIPTION

FIG. 1 is a top, frontal perspective view of a dust cleaning tool adaptive to a vacuum cleaner nozzle showing my new design;
FIG. 2 is a rear, bottom perspective view thereof;
FIG. 3 is a top plan view thereof;
FIG. 4 is a front elevational view thereof;
FIG. 5 is a side elevational view thereof;
FIG. 6 is a rear elevational view thereof; and,
FIG. 7 is a bottom plan view thereof.

1 Claim, 3 Drawing Sheets

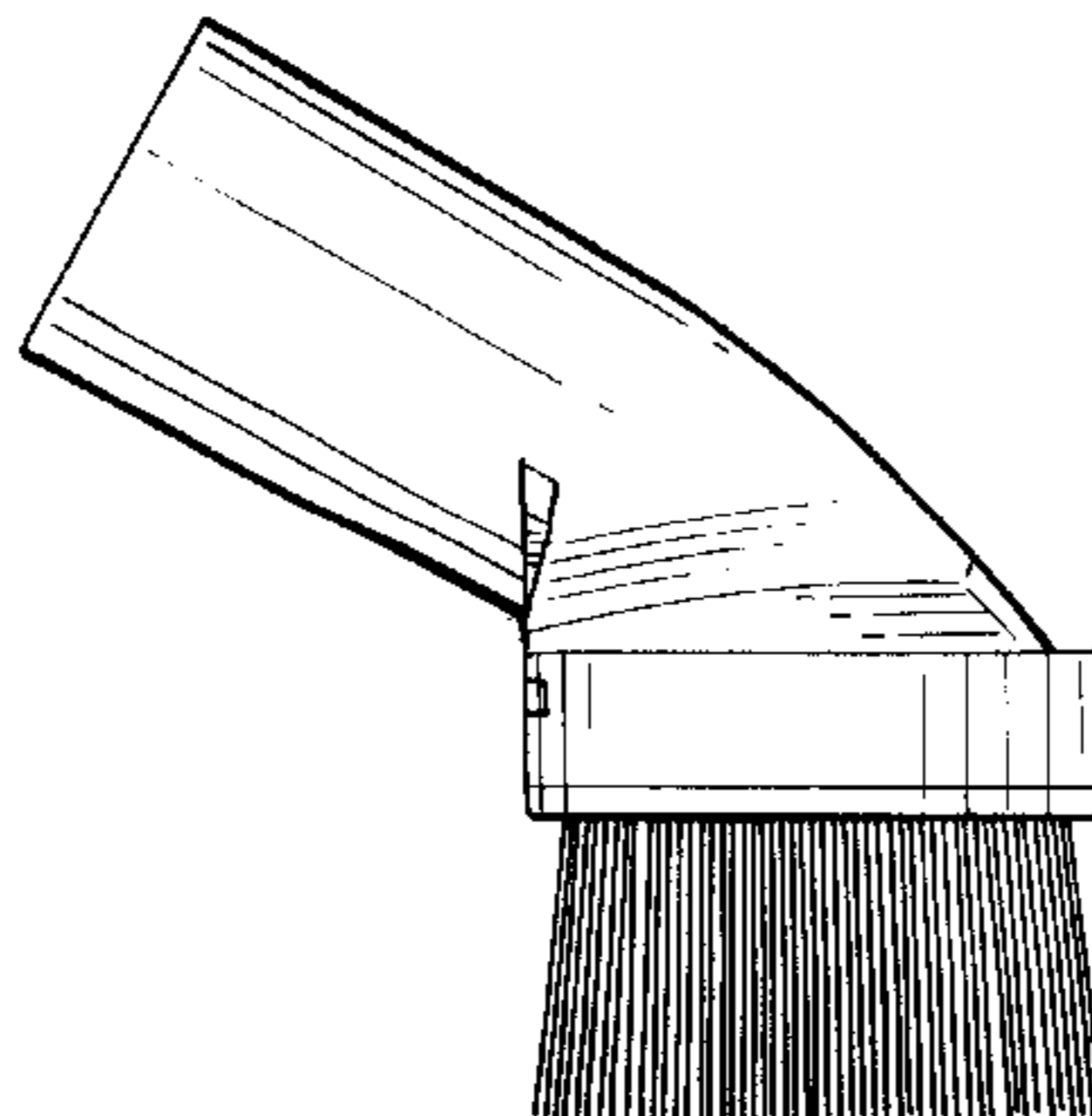
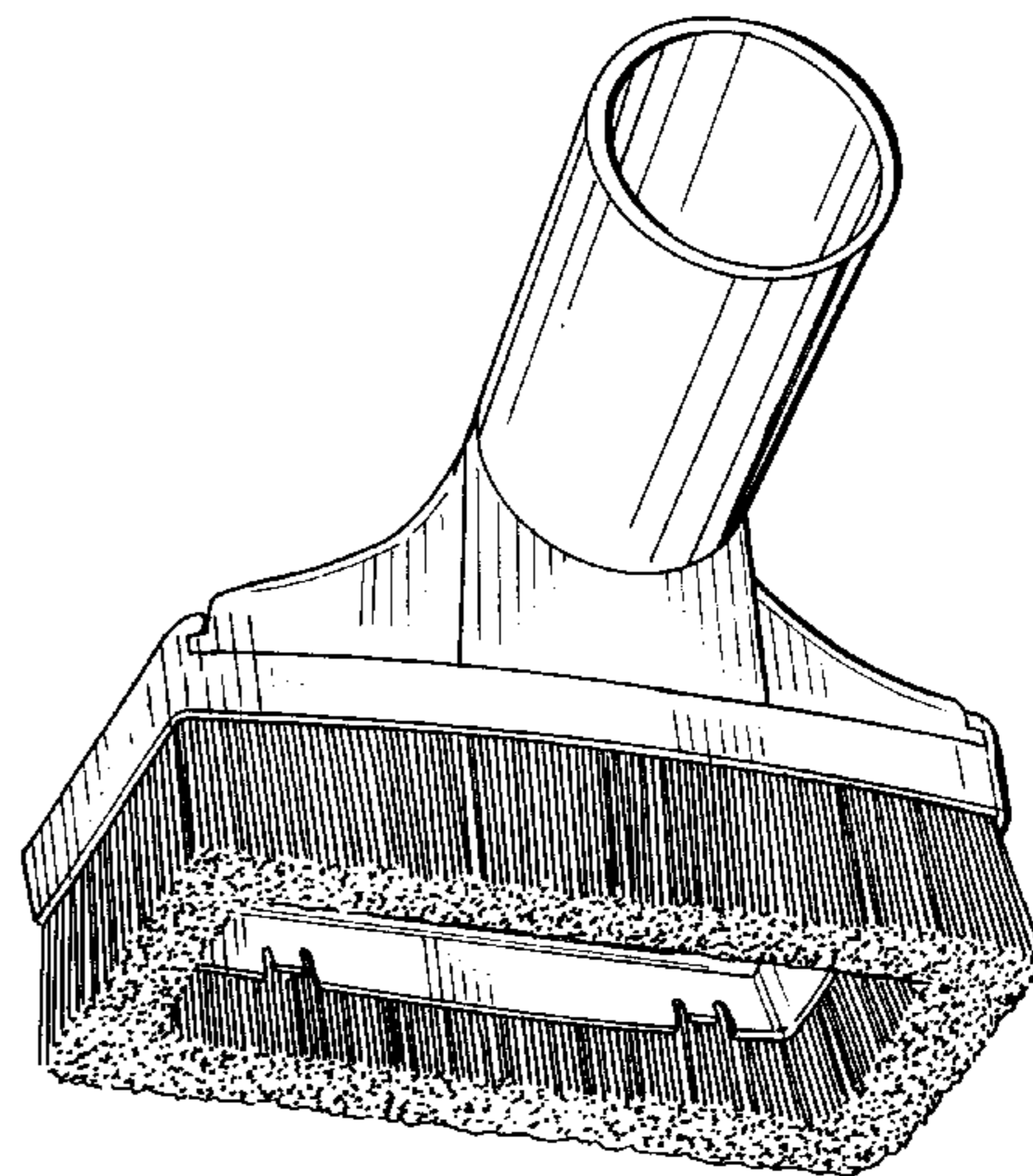
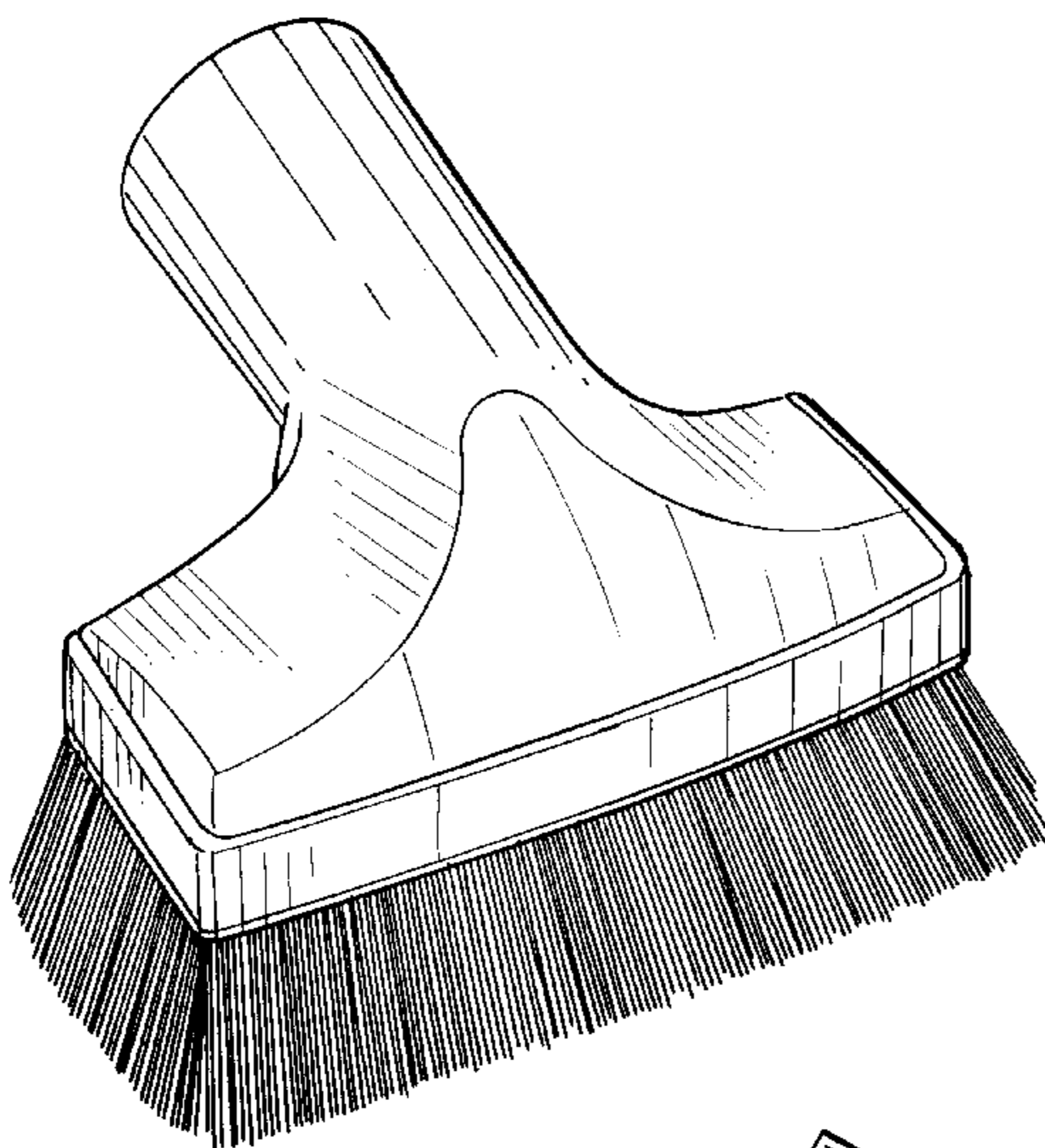


FIG. 1

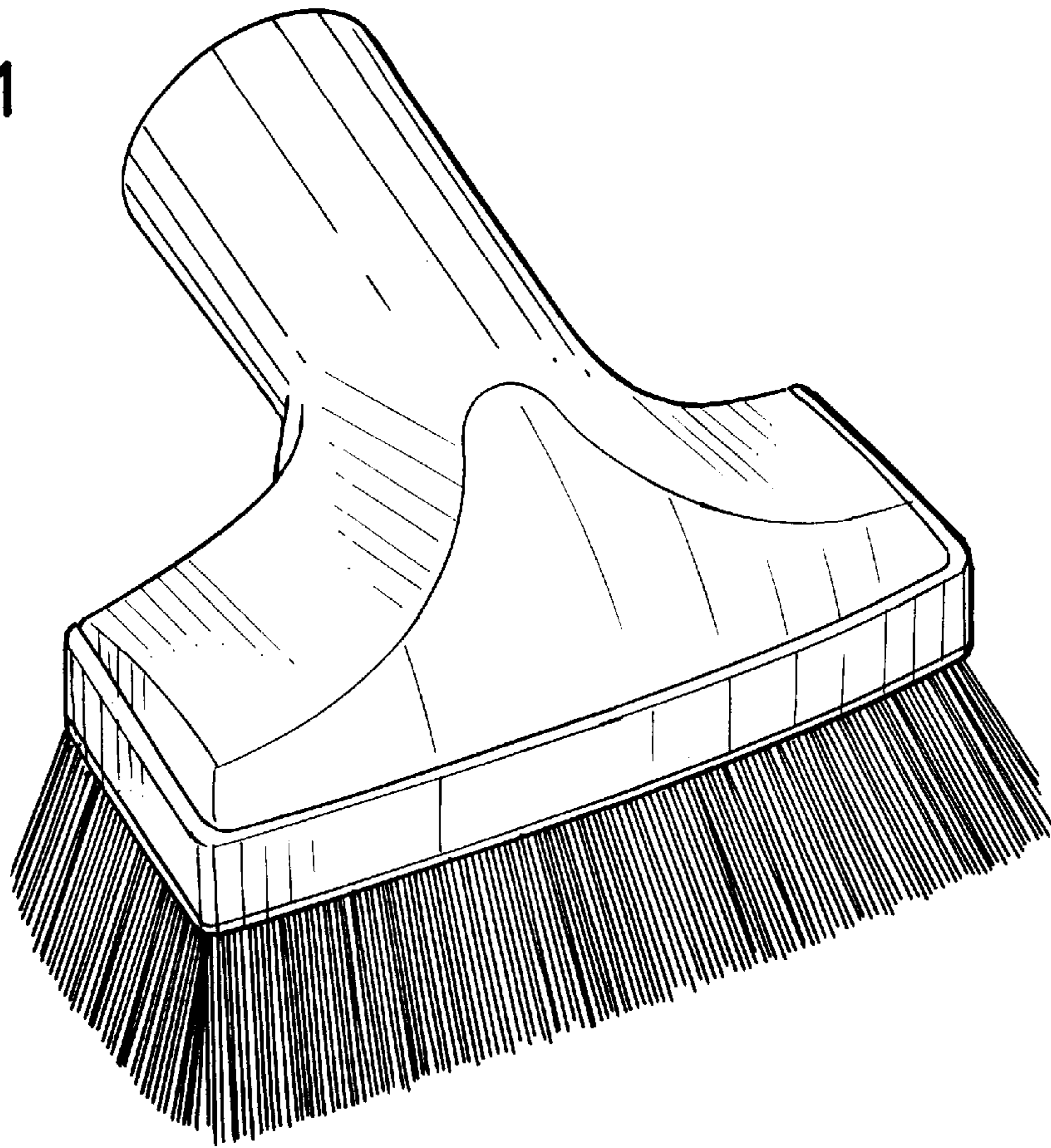


FIG. 2

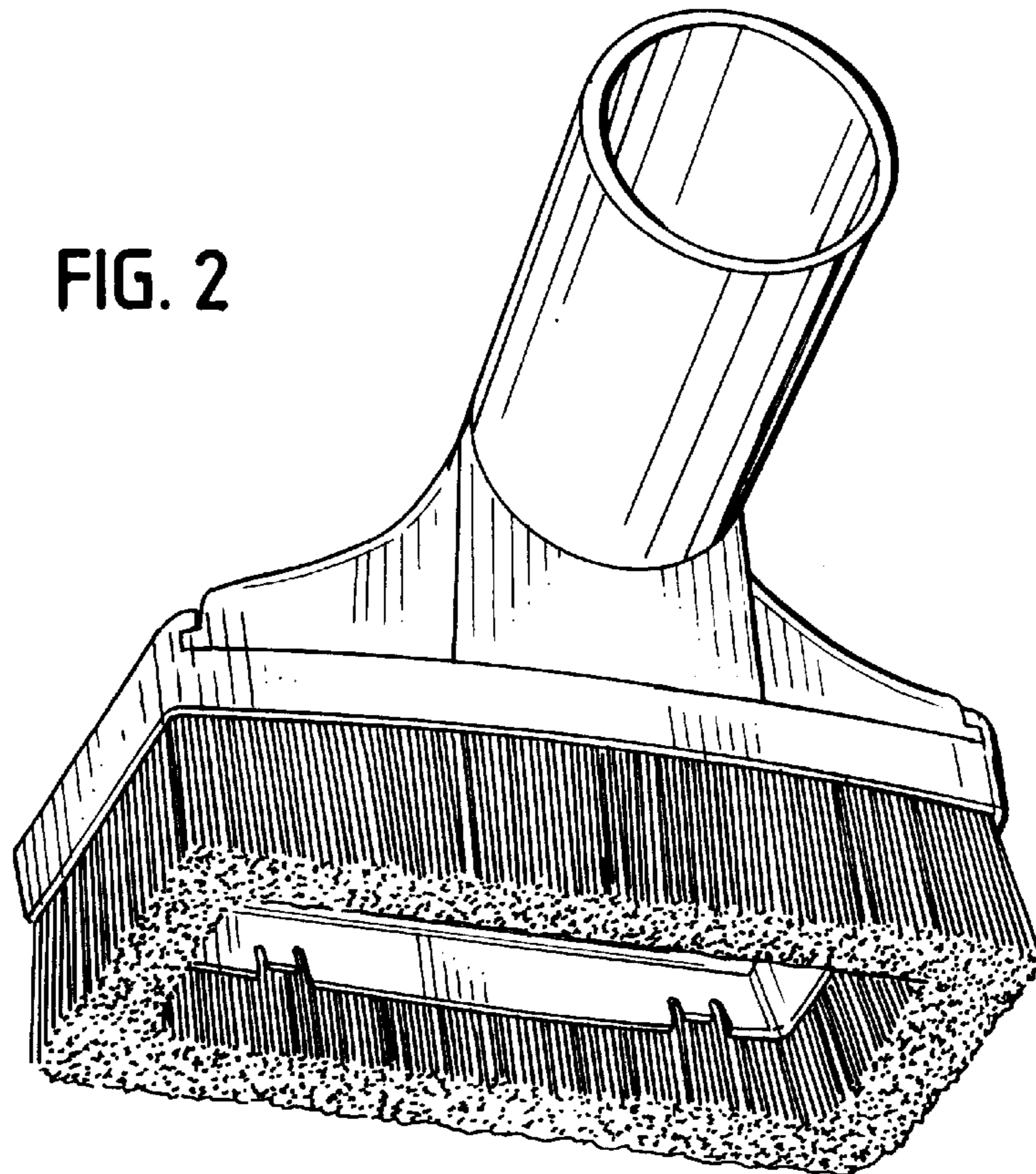


FIG. 3

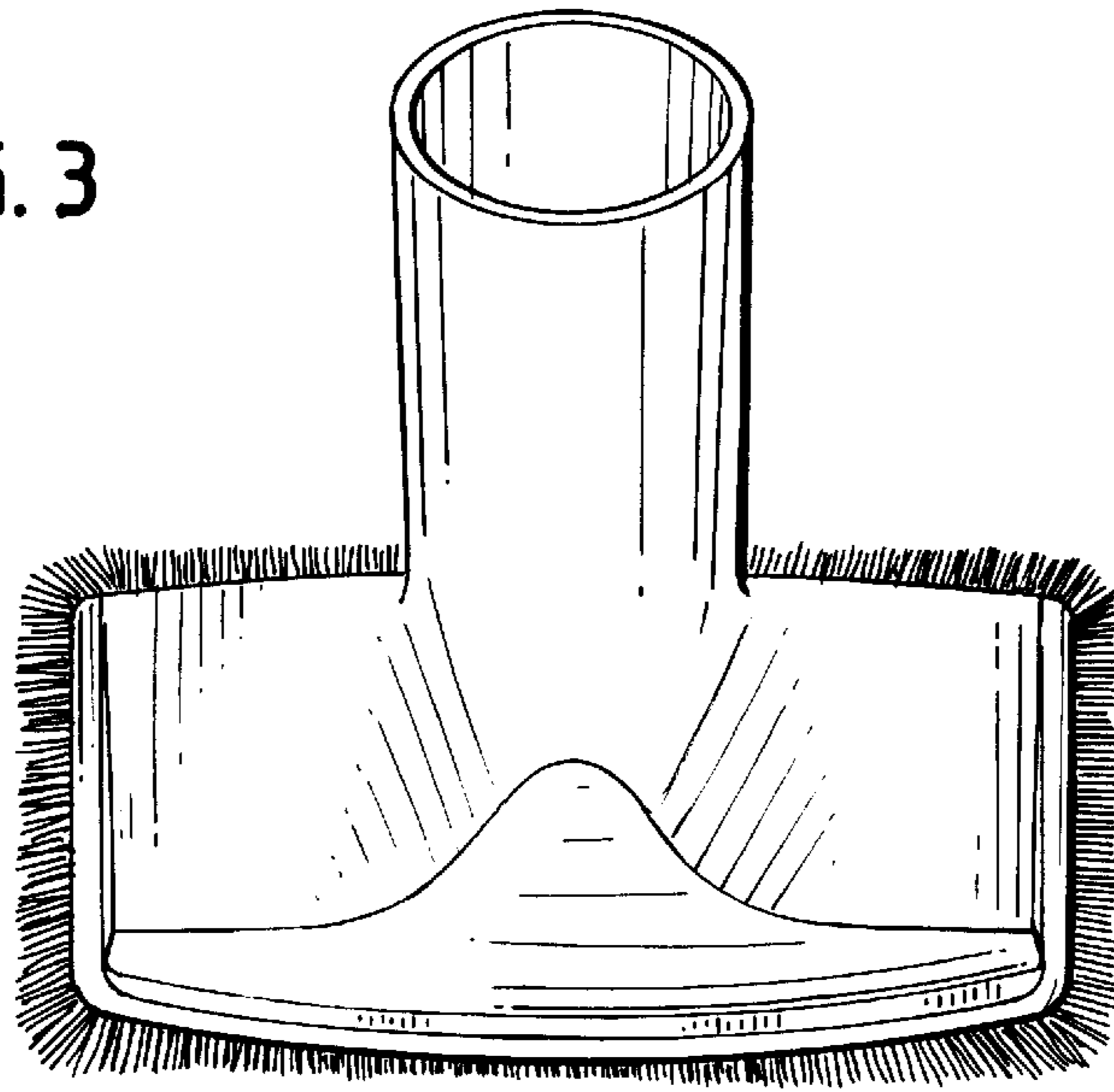


FIG. 4

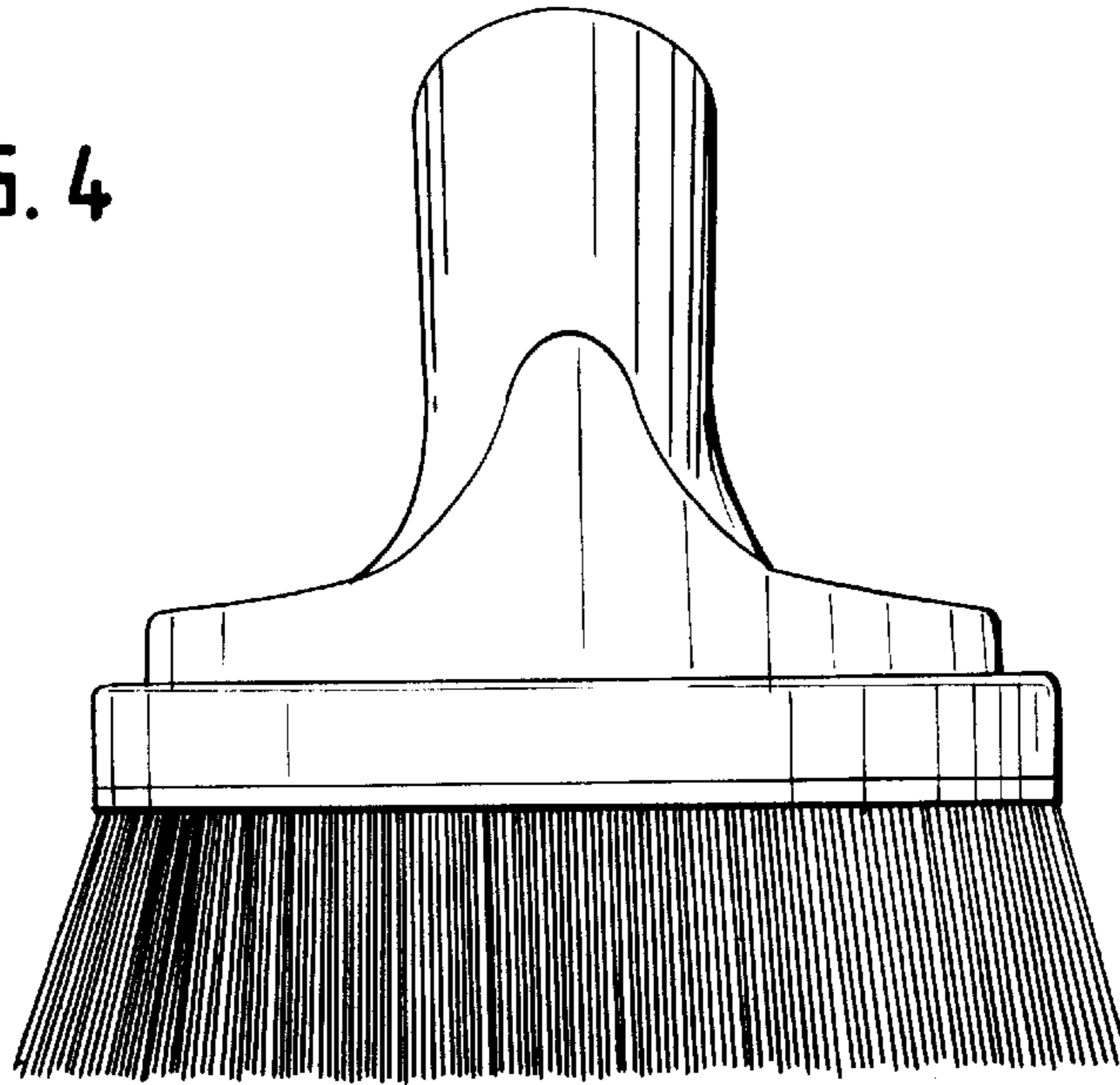


FIG. 5

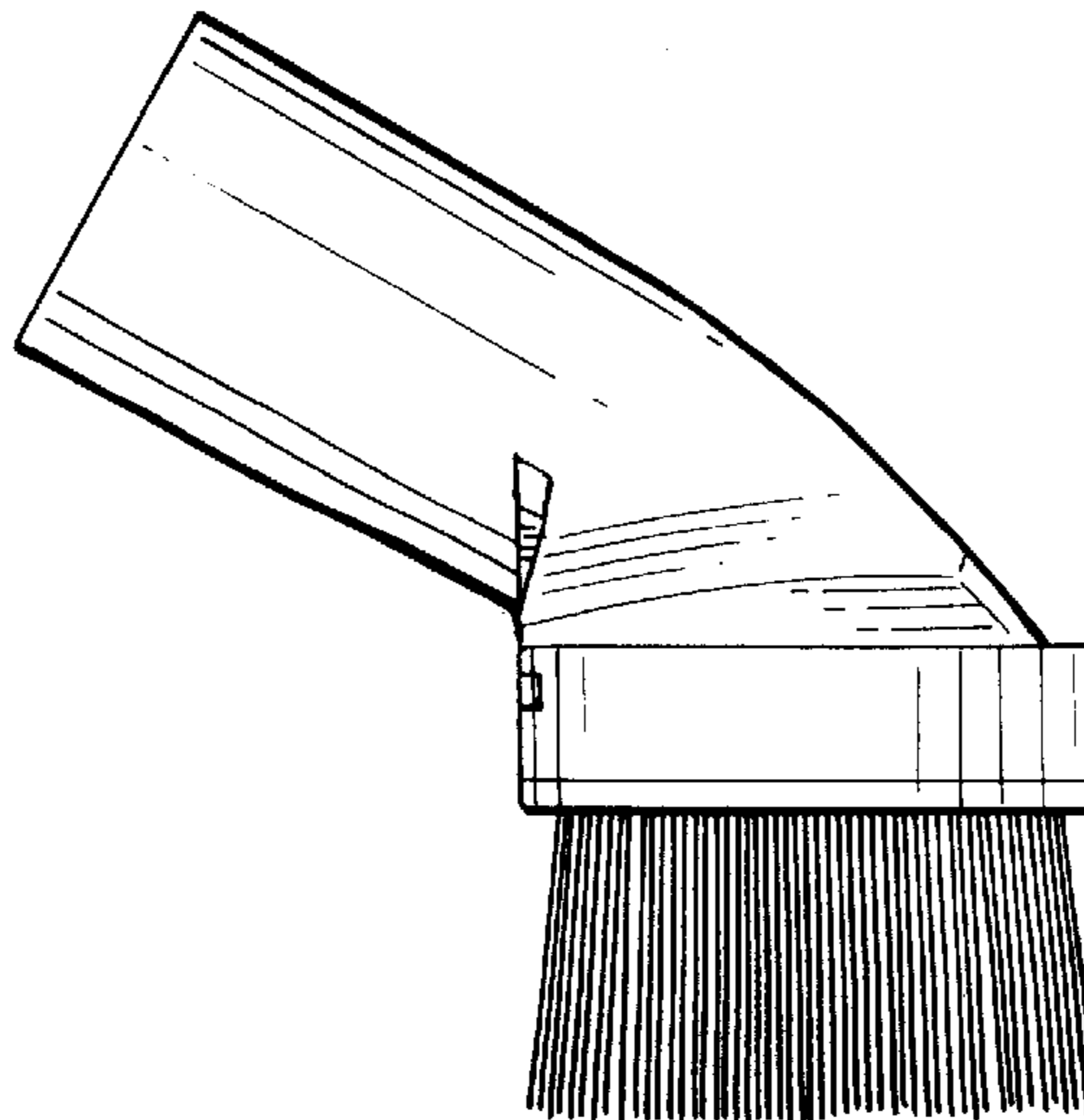


FIG. 6

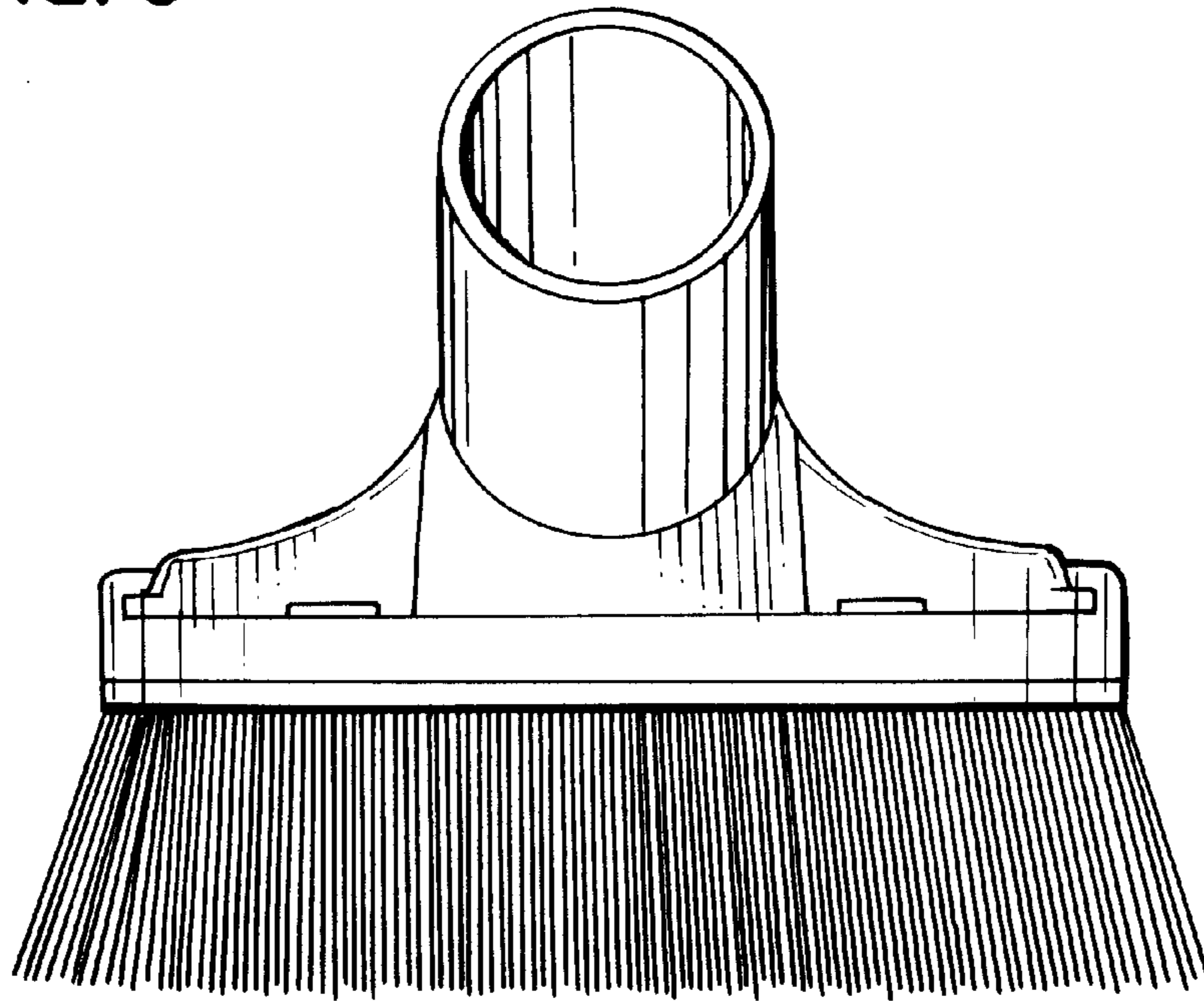


FIG. 7

