



US00D470630S

(12) **United States Design Patent** (10) **Patent No.:** **US D470,630 S**
Kuelbs (45) **Date of Patent:** **** Feb. 18, 2003**

(54) **BIRD FEEDER**

(75) Inventor: **Gregory G. Kuelbs**, Westlake, TX (US)

(73) Assignee: **World Factory, Inc.**, Southlake, TX (US)

(**) Term: **14 Years**

(21) Appl. No.: **29/165,519**

(22) Filed: **Aug. 9, 2002**

(51) **LOC (7) Cl.** **30-03**

(52) **U.S. Cl.** **D30/128; D30/125; D30/111**

(58) **Field of Search** **D30/121, 124-128, D30/110, 111; 119/57.8, 57.9, 52.1-52.3, 468, 433**

(56) **References Cited**

U.S. PATENT DOCUMENTS

D290,769 S	*	7/1987	Taylor	D30/124
D361,873 S	*	8/1995	Nottingham et al.	D30/124
D370,313 S	*	5/1996	Nottingham et al.	D30/125
D386,836 S	*	11/1997	Hunt	D30/124
6,253,706 B1	*	7/2001	Sloop	119/57.9
D452,049 S	*	12/2001	Stokes et al.	D30/124

* cited by examiner

Primary Examiner—Pamela Burgess

(74) *Attorney, Agent, or Firm*—James E. Walton; Hill & Hunn LLP

(57) **CLAIM**

The ornamental design for a bird feeder, as shown and described.

DESCRIPTION

FIG. 1 is a perspective view of the bird feeder according to the present invention;

FIG. 2 is a front view of the bird feeder according to the present invention with the access lid in a closed position. The right side, left side, and rear view are identical to the front view;

FIG. 3 is a front view of the bird feeder according to the present invention with the access lid in an open position;

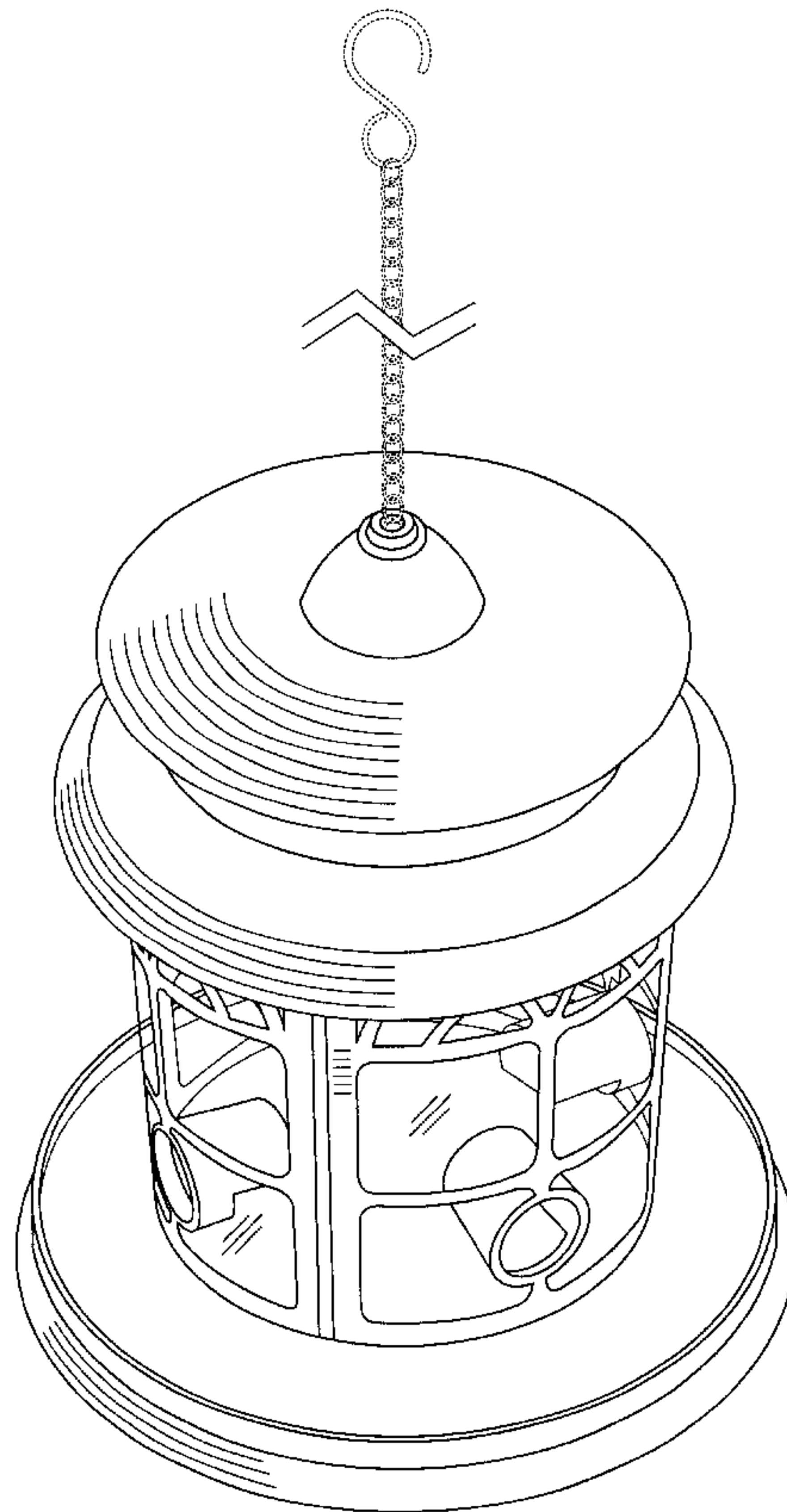
FIG. 4 is a top view of the bird feeder according to the present invention; and,

FIG. 5 is a bottom view of the bird feeder according to the present invention.

The broken lines shown in all views represent environmental structure and form no part of the claimed design.

The break in the chain is understood to represent indeterminate length.

1 Claim, 4 Drawing Sheets



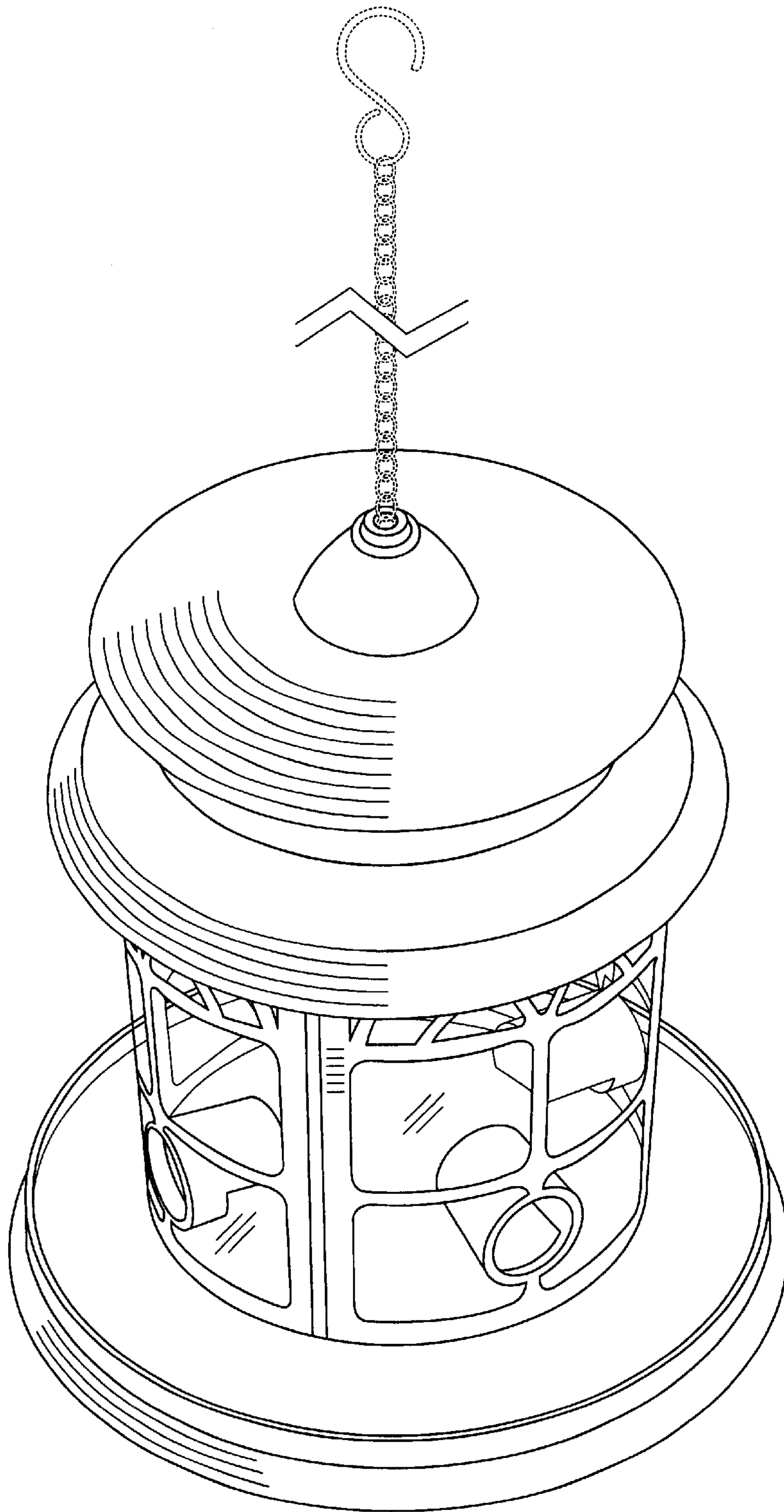


Figure 1

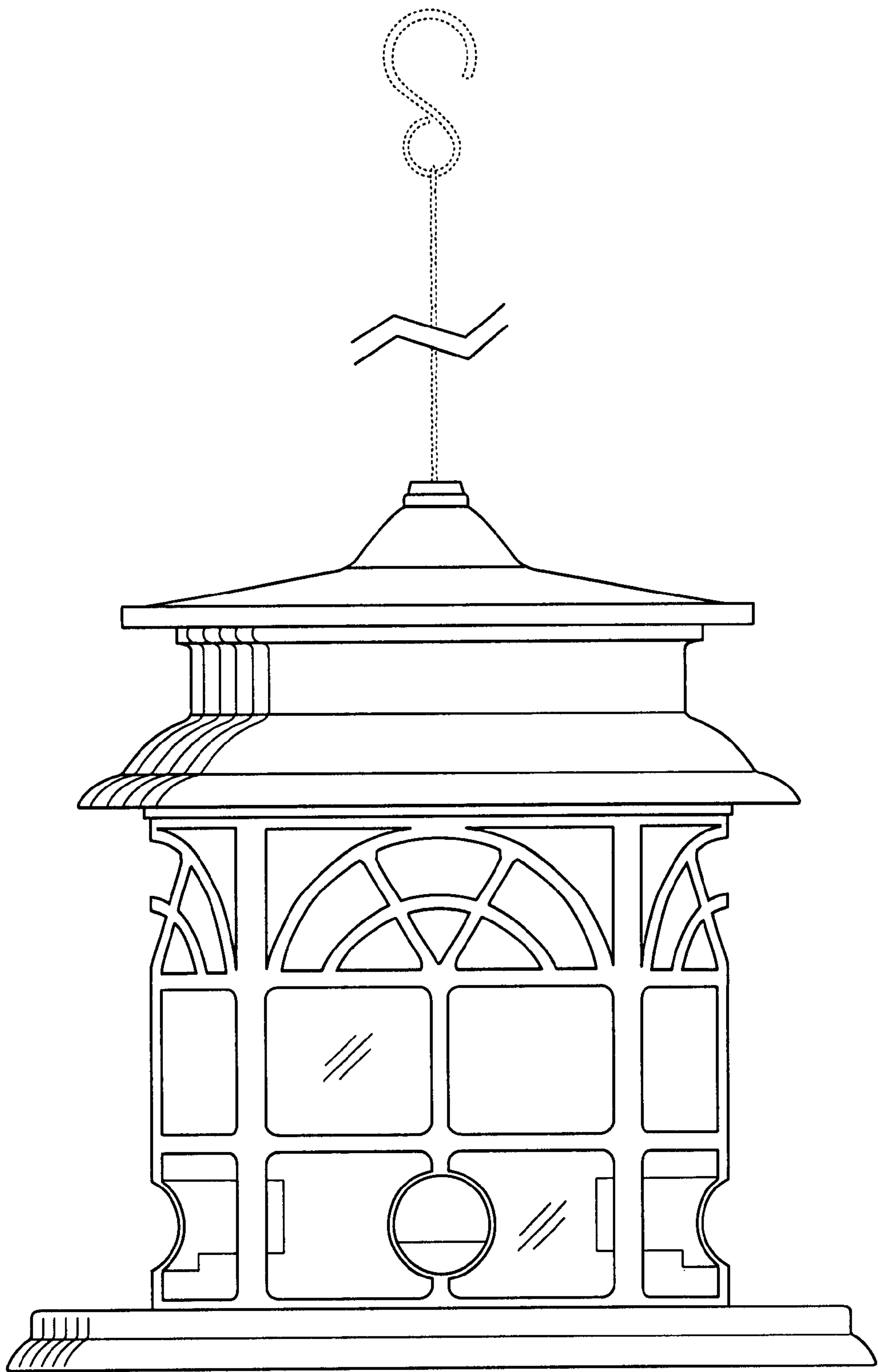


Figure 2

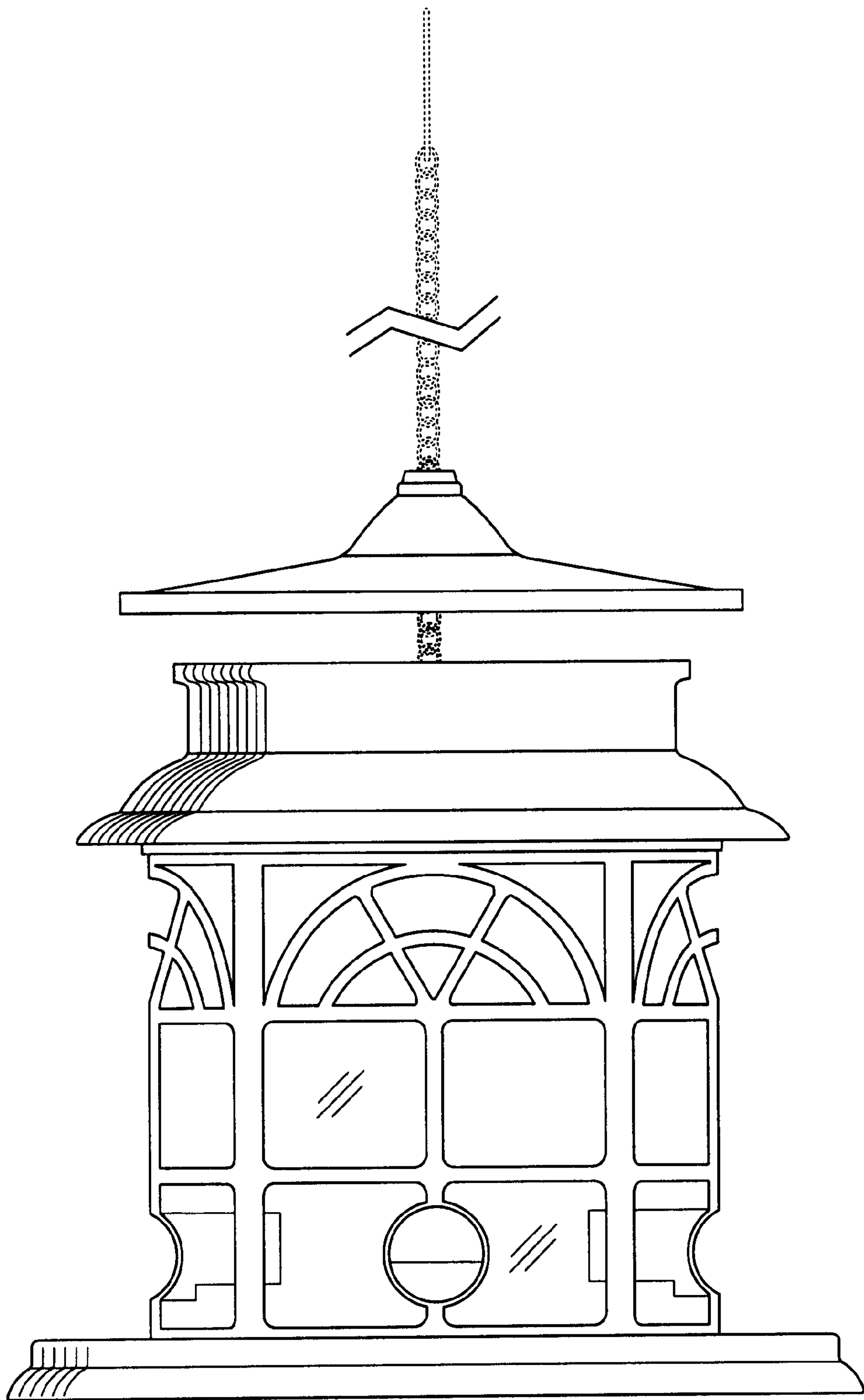


Figure 3

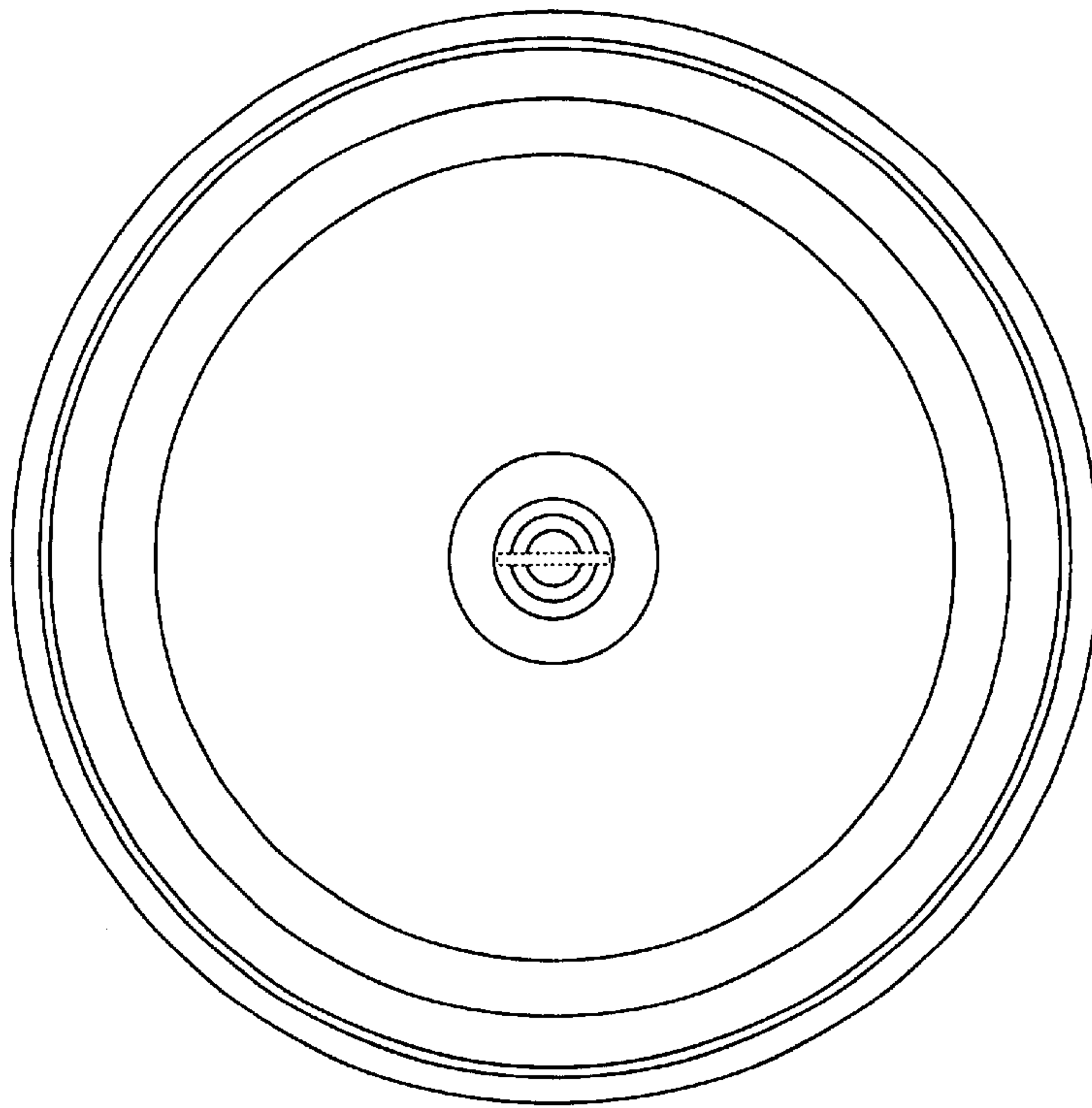


Figure 4

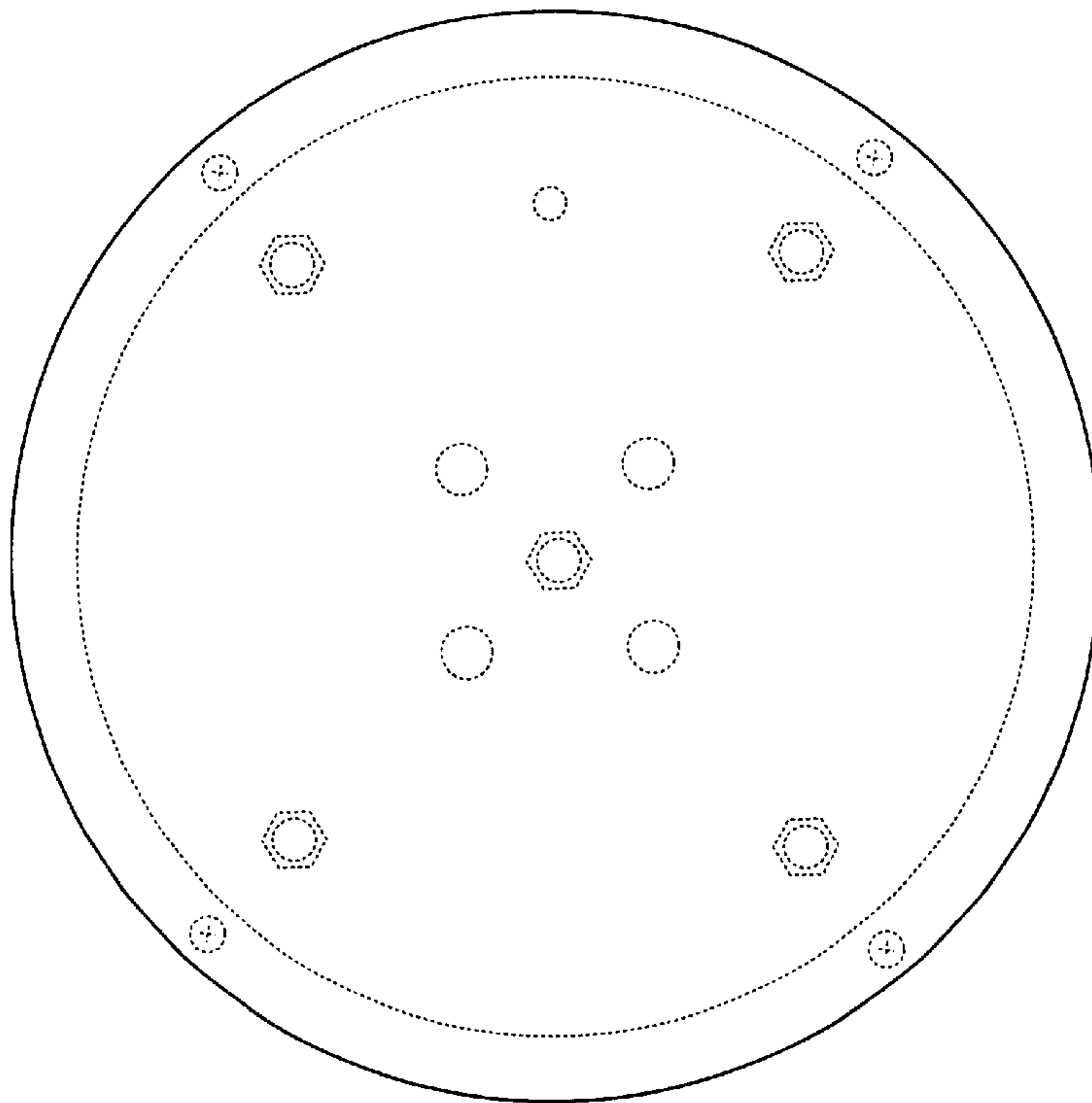


Figure 5