



US00D470618S

(12) **United States Design Patent** (10) **Patent No.:** **US D470,618 S**  
**Kuelbs et al.** (45) **Date of Patent:** **\*\* Feb. 18, 2003**

(54) **TOP PORTION OF LAMP OR HANGABLE ACCESSORY**

(74) *Attorney, Agent, or Firm*—James E. Walton; Hill & Hunn LLP

(75) **Inventors:** **Gregory G. Kuelbs**, Westlake, TX (US); **Zhongxing Zhou**, Ronggui (CN)

(57) **CLAIM**

The ornamental design for a top portion of lamp or hangable accessory, as shown and described.

(73) **Assignee:** **World Factory, Inc.**, Southlake, TX (US)

**DESCRIPTION**

(\*\*) **Term:** **14 Years**

FIG. 1 is a perspective view of the top portion of lamp or hangable accessory, such as a garden accent or birdhouse, according to the present invention.

(21) **Appl. No.:** **29/154,812**

FIG. 2 is a front view of the top portion of lamp or hangable accessory according to the present invention.

(22) **Filed:** **Jan. 30, 2002**

FIG. 3 is a left side view of the top portion of lamp or hangable accessory according to the present invention.

(51) **LOC (7) Cl.** ..... **26-99**

(52) **U.S. Cl.** ..... **D26/113**

(58) **Field of Search** ..... D26/113, 118, D26/119, 67, 72, 85, 86, 89; 362/147, 360, 363, 367, 368, 404–408, 431

FIG. 4 is a rear view of the top portion of lamp or hangable accessory according to the present invention.

(56) **References Cited**

**U.S. PATENT DOCUMENTS**

D388,906 S	*	1/1998	Chiang	.....	D26/85
D439,359 S	*	3/2001	Feng	.....	D26/85
D445,209 S		7/2001	Chen	.....	D26/72

FIG. 5 is a right side view of the top portion of lamp or hangable accessory according to the present invention.

FIG. 6 is a top view of the top portion of lamp or hangable accessory according to the present invention; and,

FIG. 7 is a bottom view of the top portion of lamp or hangable accessory according to the present invention.

**OTHER PUBLICATIONS**

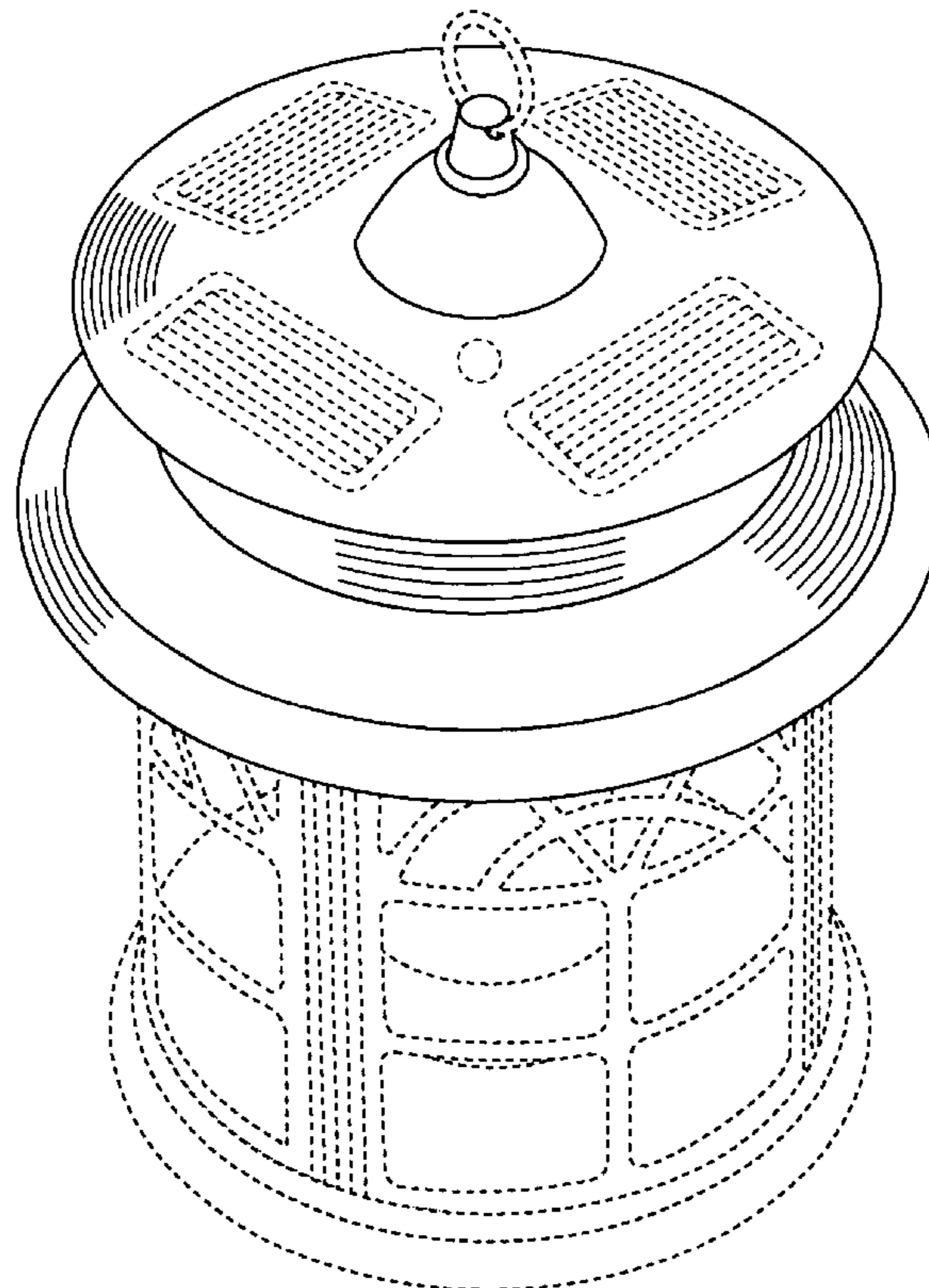
#2774–AG, *Designer’s Fountain*, p. 134, Sep. 2001.\*

The broken line environmental showing is for illustrative purposes only and forms no part of the claimed design.

\* cited by examiner

*Primary Examiner*—Jennifer Rivard

**1 Claim, 6 Drawing Sheets**



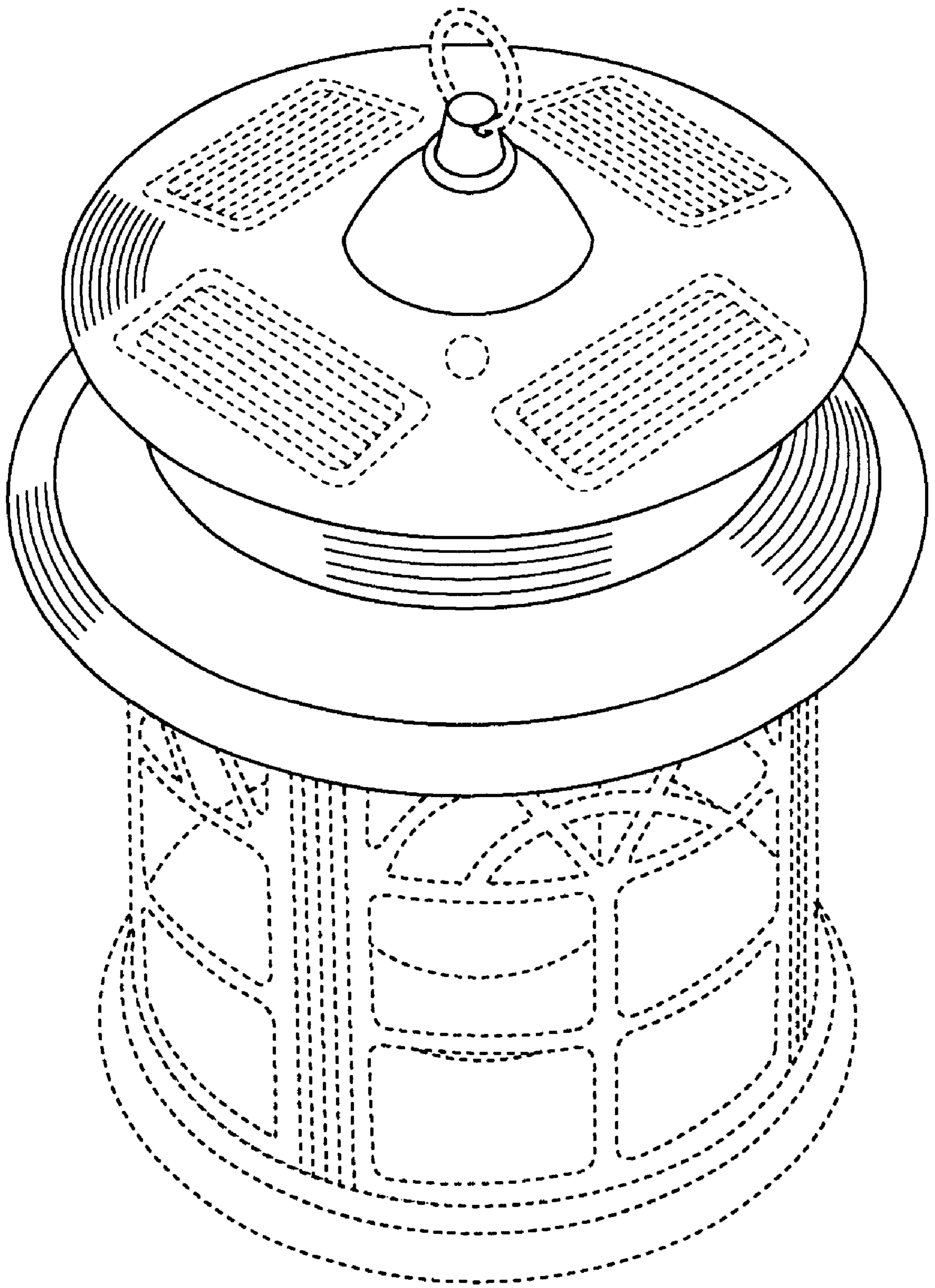


Figure 1

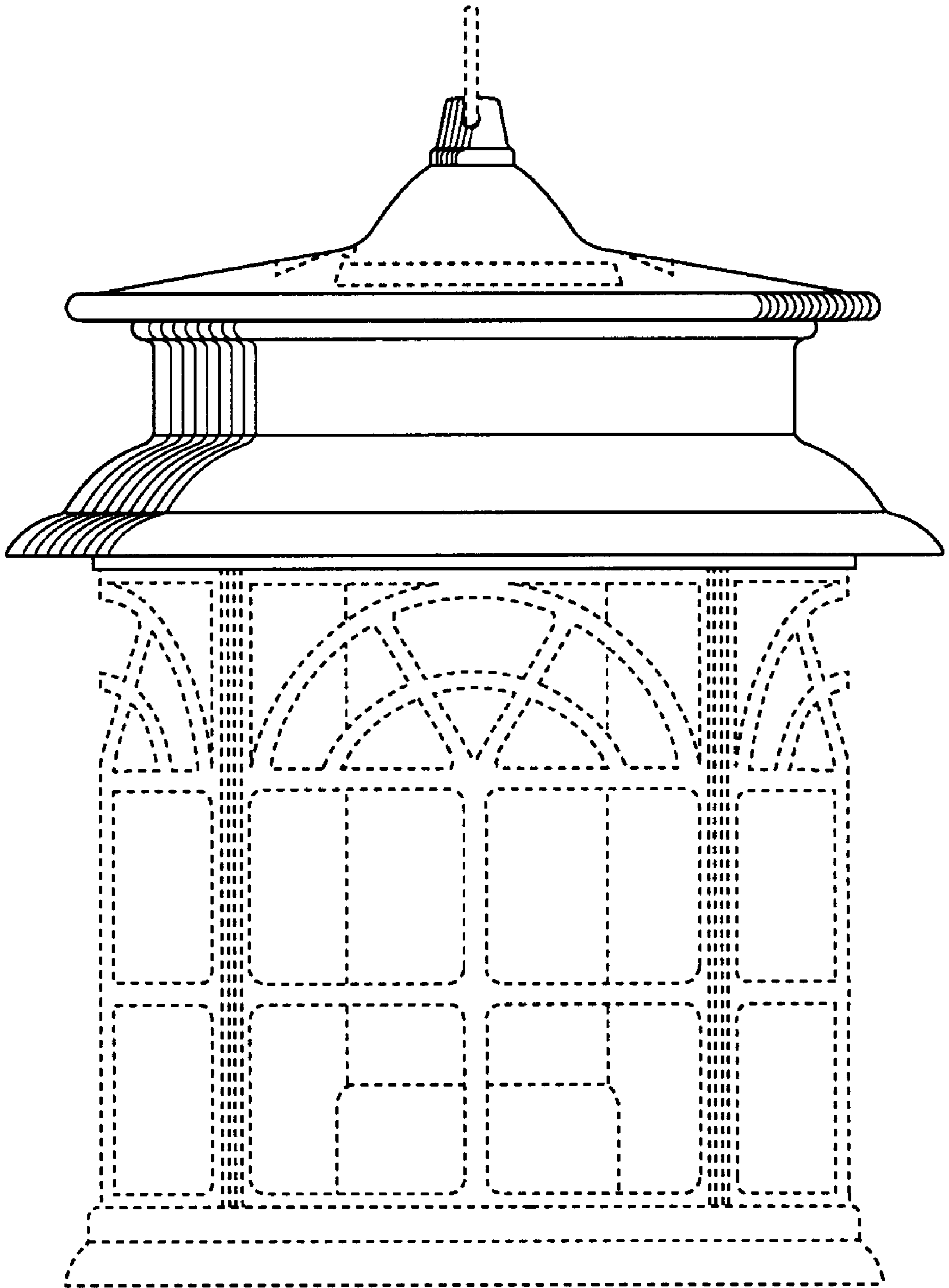


Figure 2

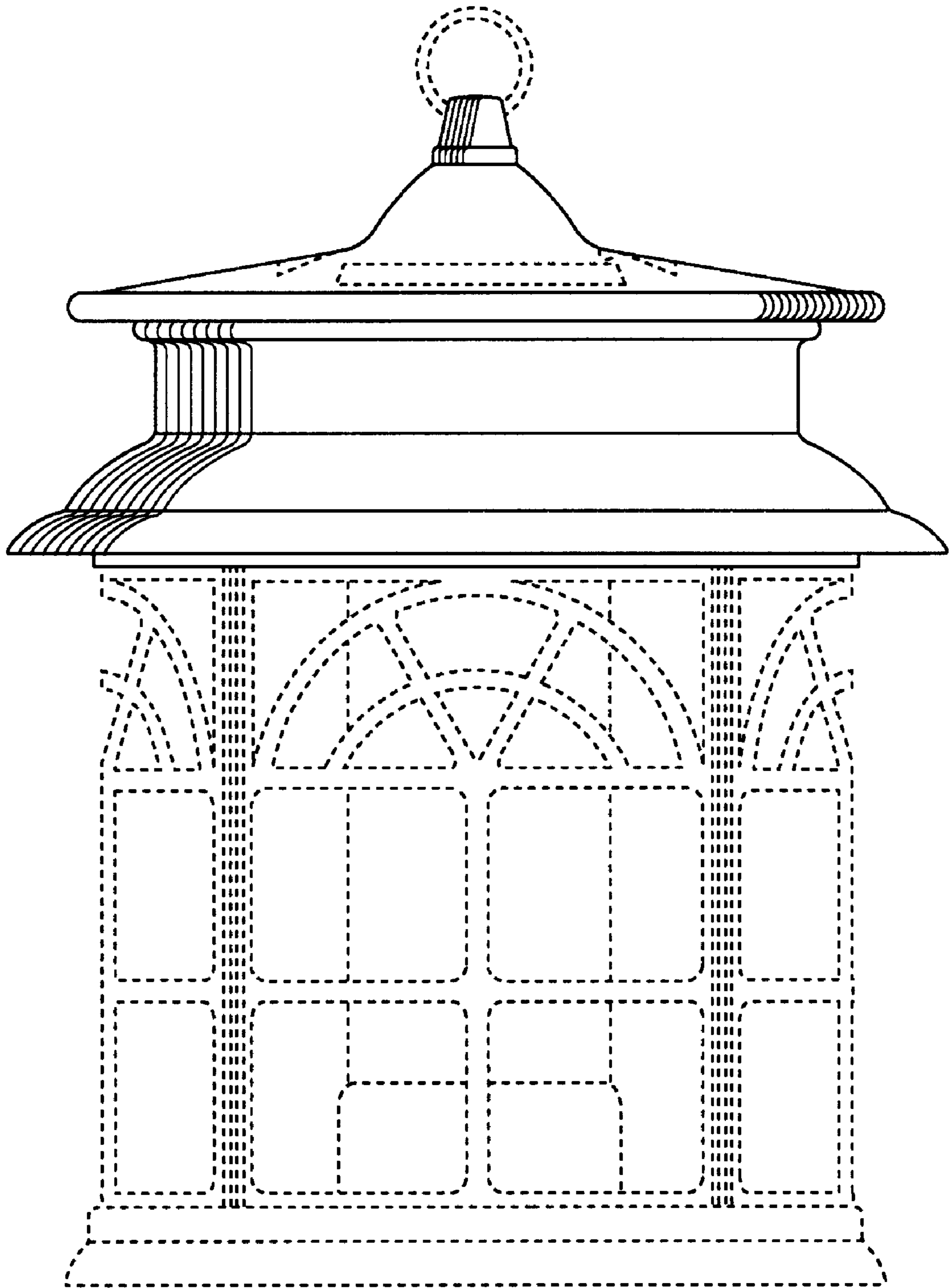


Figure 3

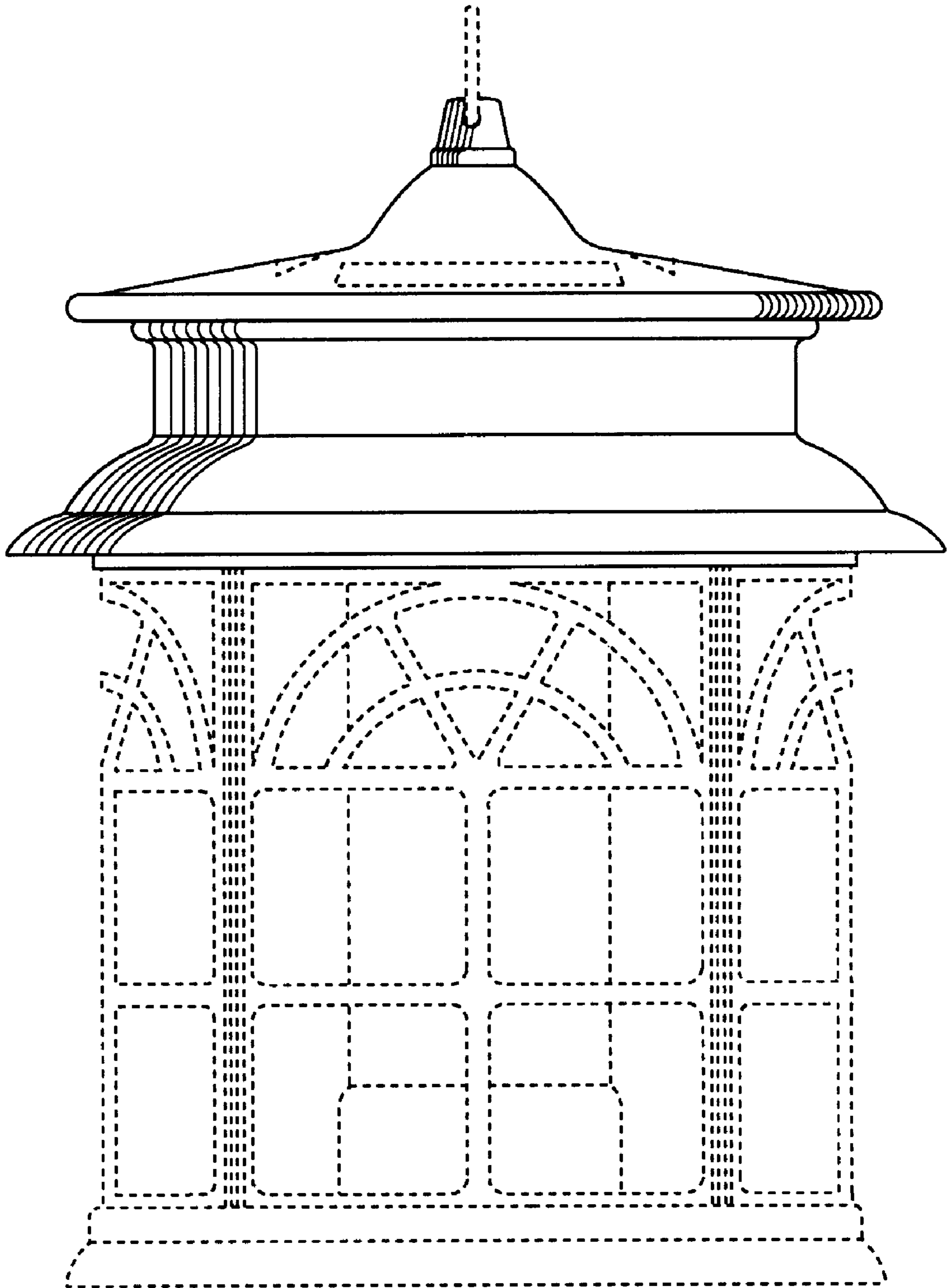


Figure 4

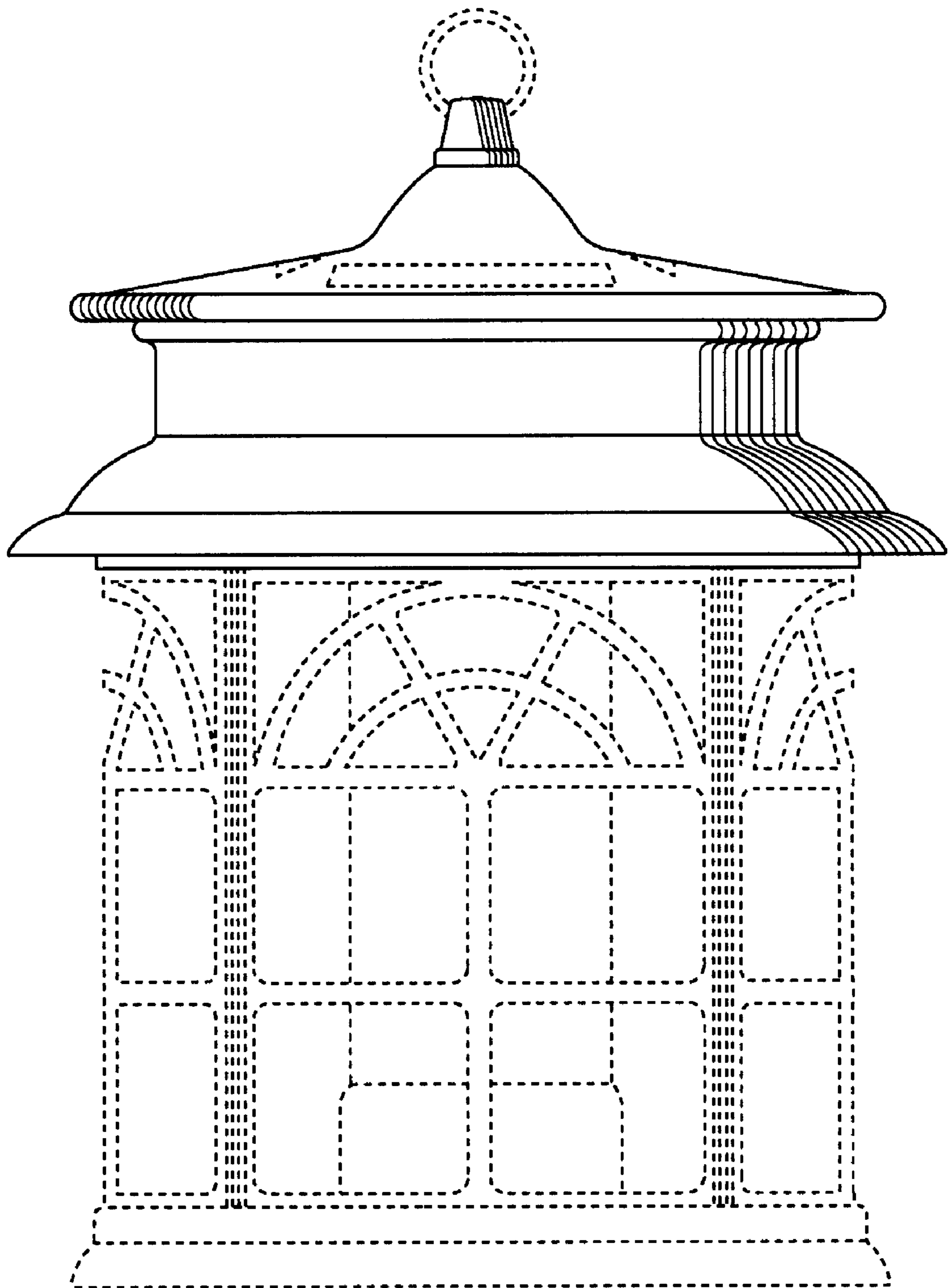


Figure 5

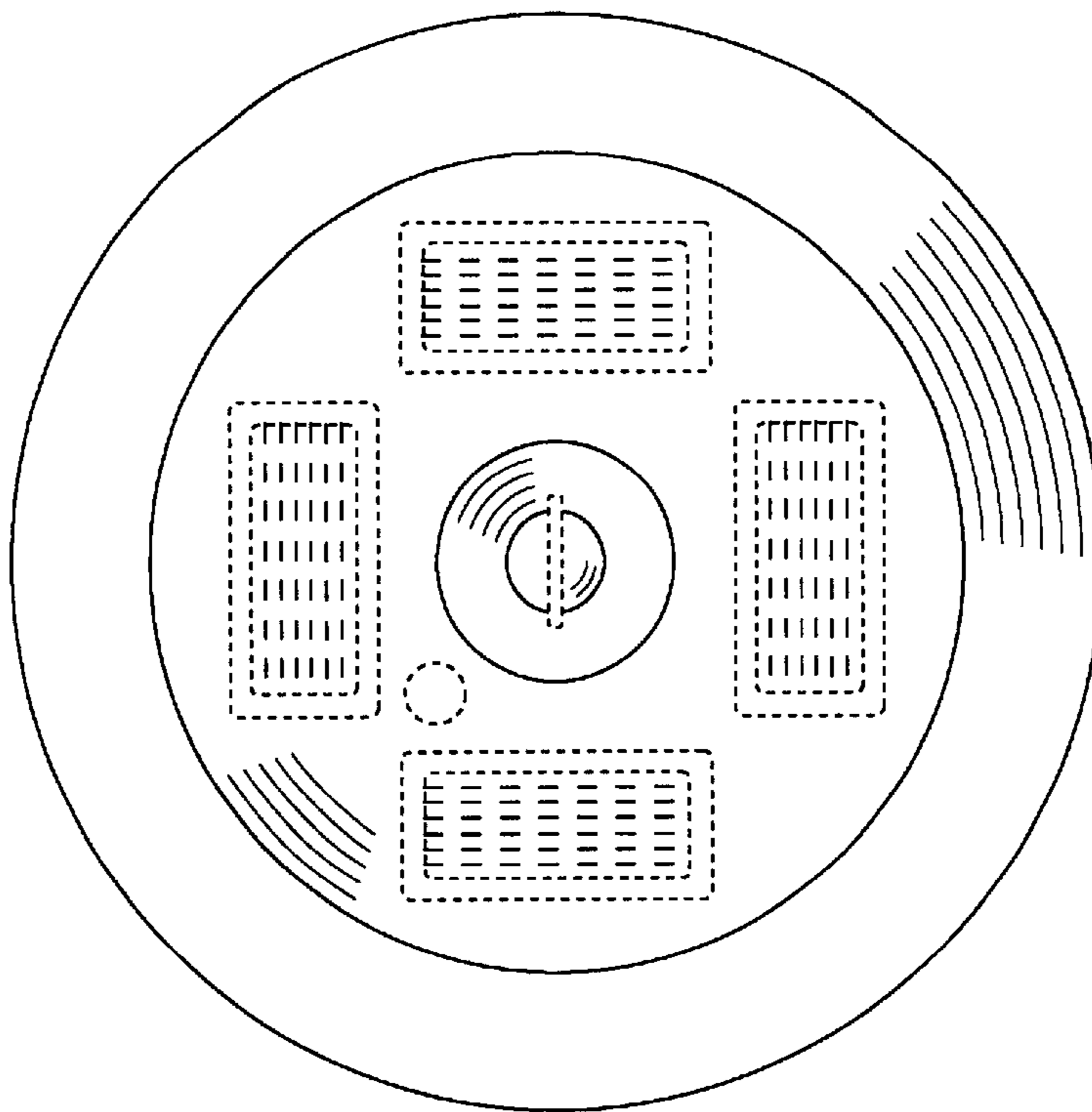


Figure 6

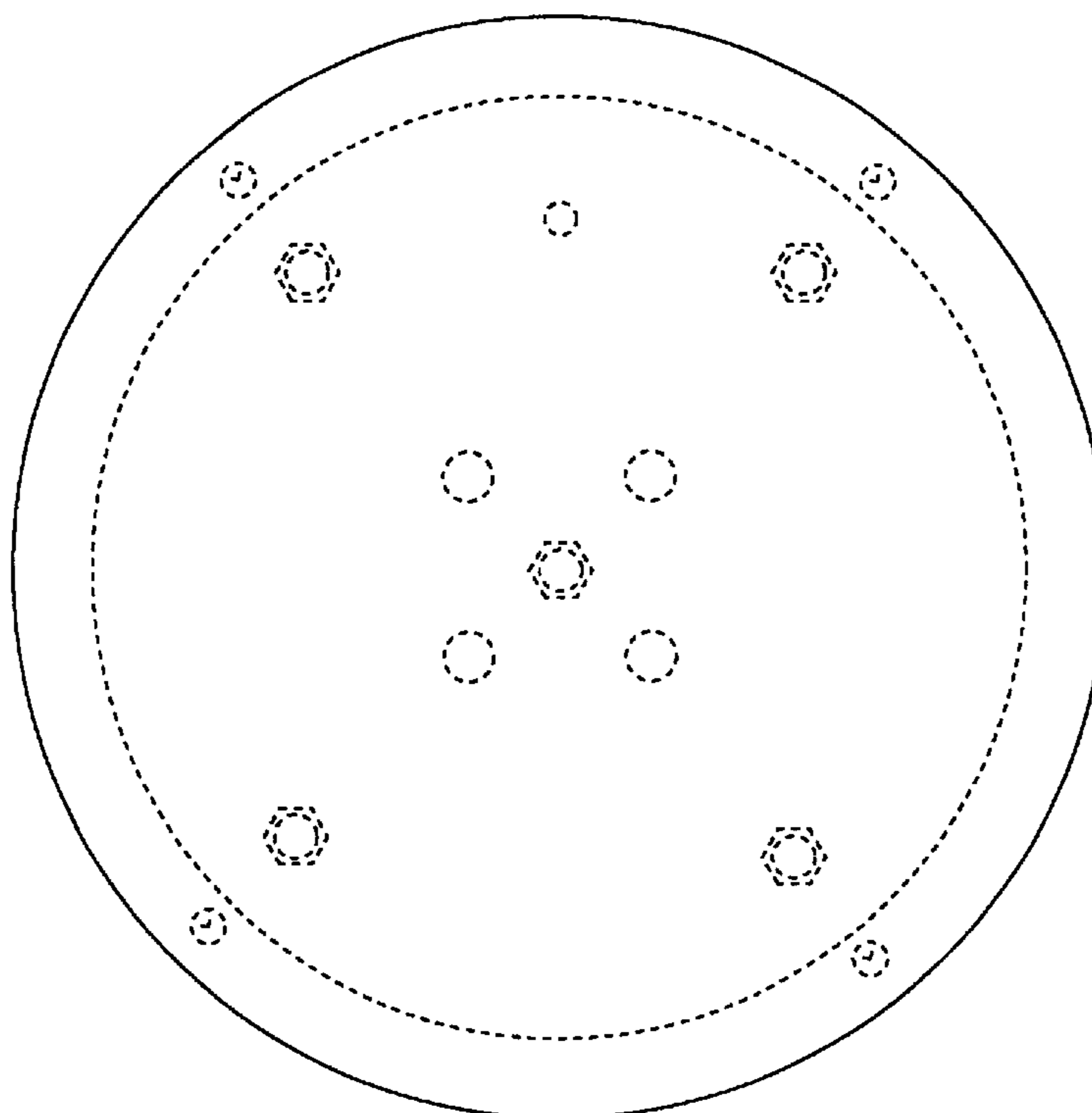


Figure 7