



US00D470602S

(12) **United States Design Patent**
Pate

(10) **Patent No.:** **US D470,602 S**

(45) **Date of Patent:** **** Feb. 18, 2003**

(54) **DANCE FLOOR SECTION**

(76) Inventor: **Andrew Pate**, 896 County Rte. 60,
Greenwich, NY (US) 12834

(**) Term: **14 Years**

(21) Appl. No.: **29/160,277**

(22) Filed: **May 8, 2002**

(51) **LOC (7) Cl.** **25-01**

(52) **U.S. Cl.** **D25/138**

(58) **Field of Search** D25/138, 157;
52/384, 389, 387

(56) **References Cited**

U.S. PATENT DOCUMENTS

D200,903 S * 4/1965 Ikeda D25/138

5,709,058 A * 1/1998 Shaw 52/384

* cited by examiner

Primary Examiner—Doris Clark

(74) *Attorney, Agent, or Firm*—John A. Merecki; Hoffman,
Warnick & D'Alessandro

(57) **CLAIM**

The ornamental design for a dance floor section, as shown
and described.

DESCRIPTION

FIG. 1 is a top perspective view of a dance floor section,
showing my new design;

FIG. 2 is a top view thereof;

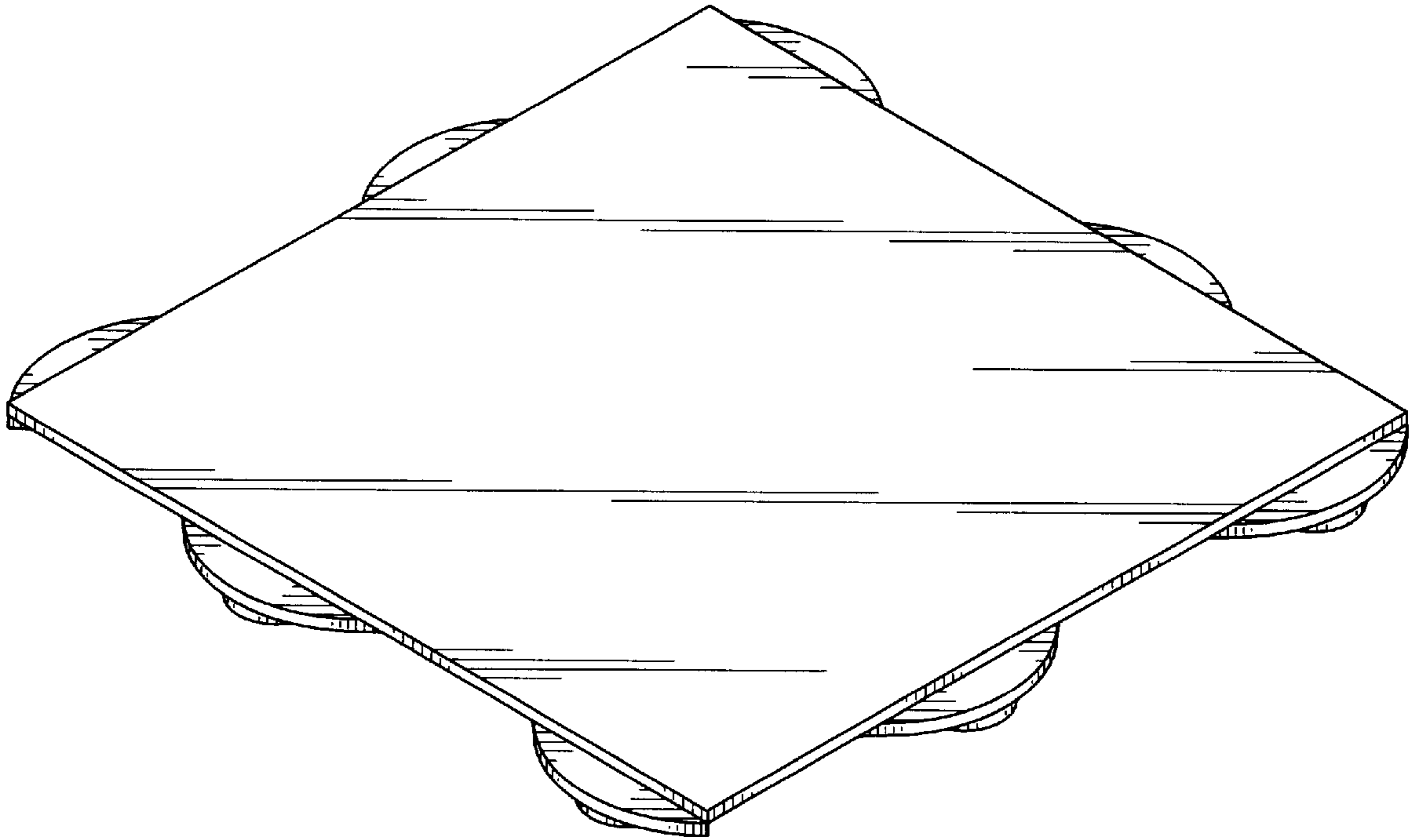
FIG. 3 is a side view thereof;

FIG. 4 is a bottom view thereof; and,

FIG. 5 is a bottom view of a second embodiment of the
dance floor section, the top and side are substantially the
same as the top and side in FIGS. 1, 2, and 3.

The broken-line disclosure of support structure being for
illustrative purposes only and forming no part of the claimed
design.

1 Claim, 3 Drawing Sheets



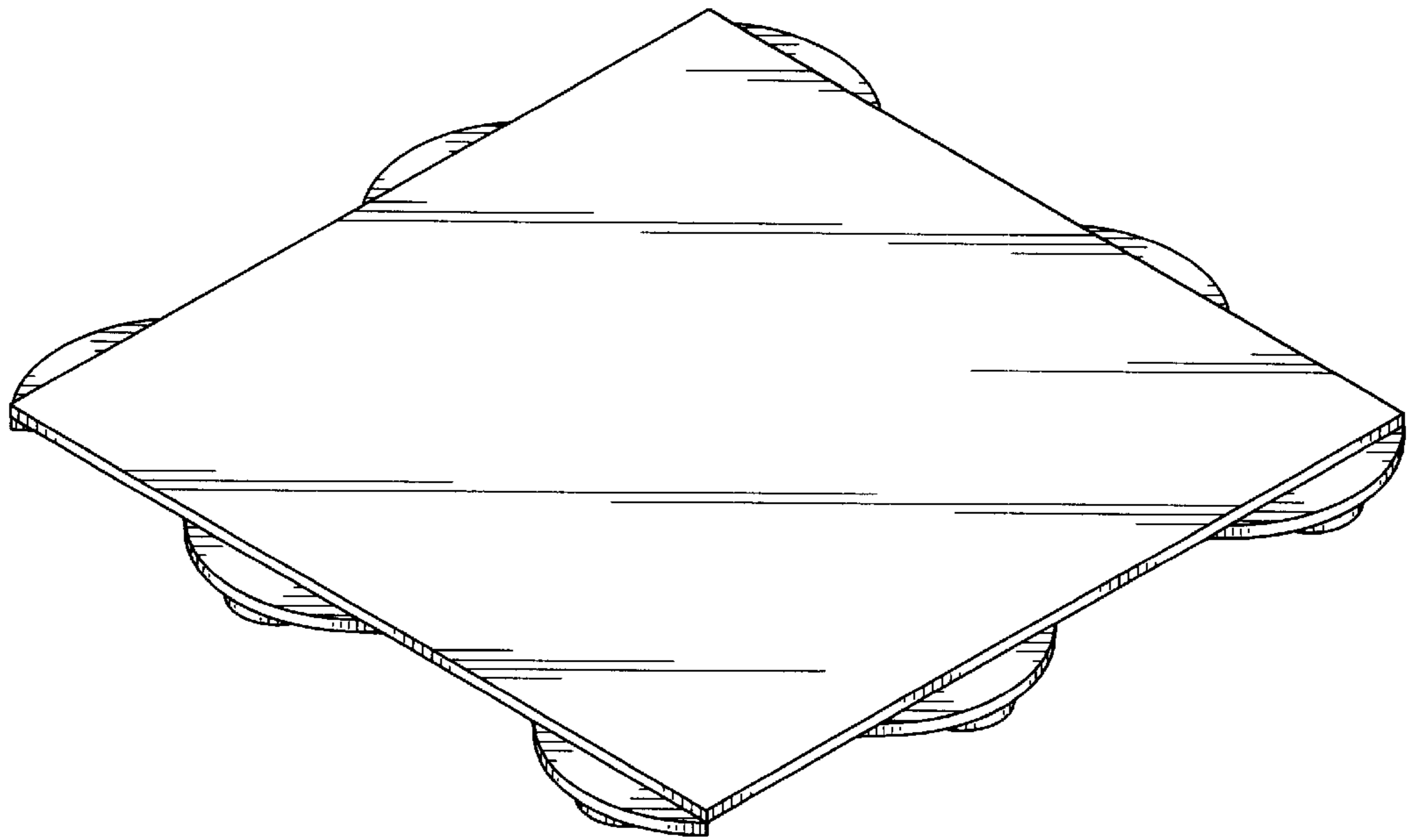


FIG. 1

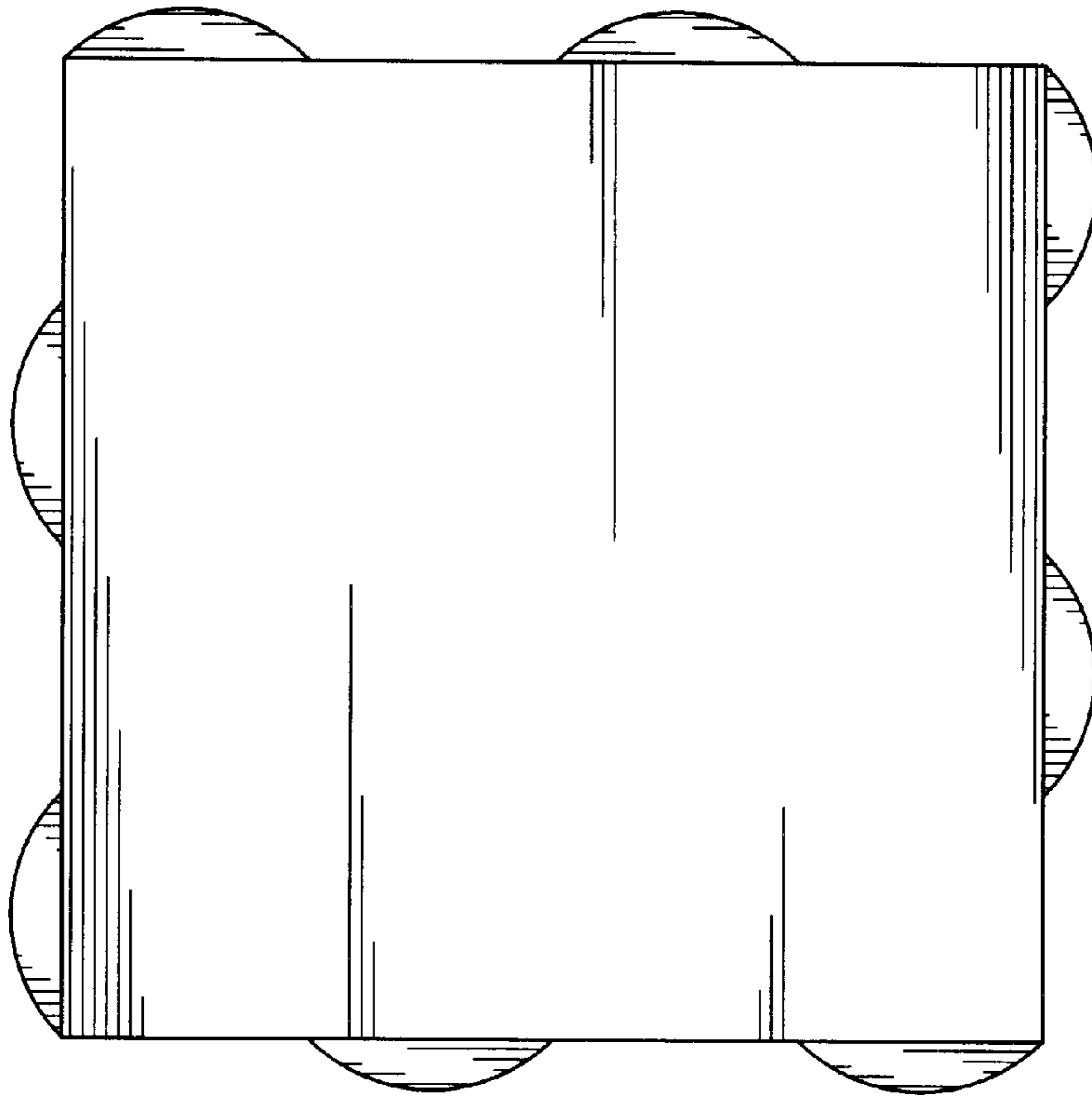


FIG. 2

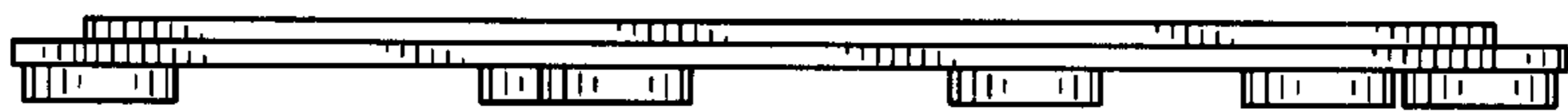


FIG. 3

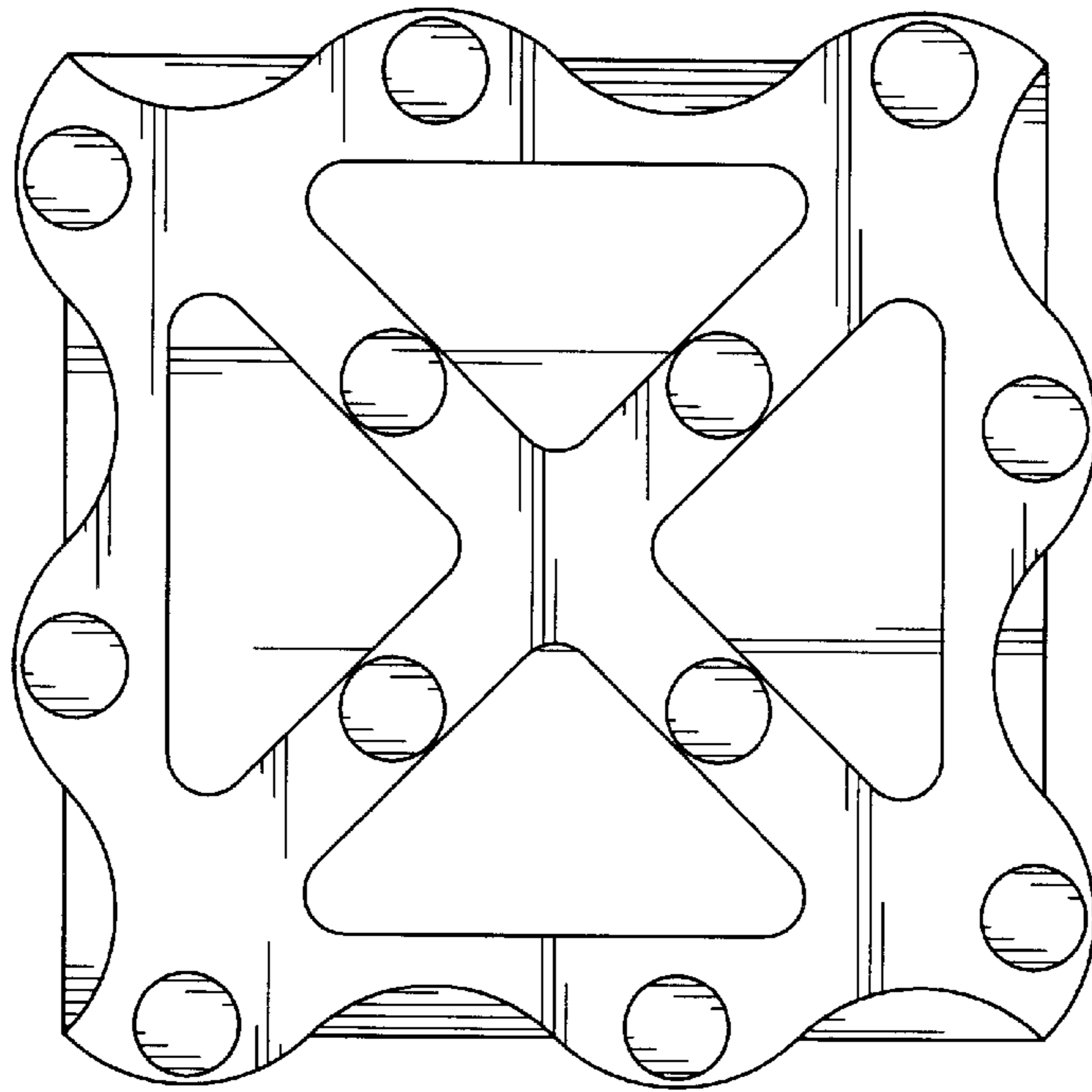


FIG. 4

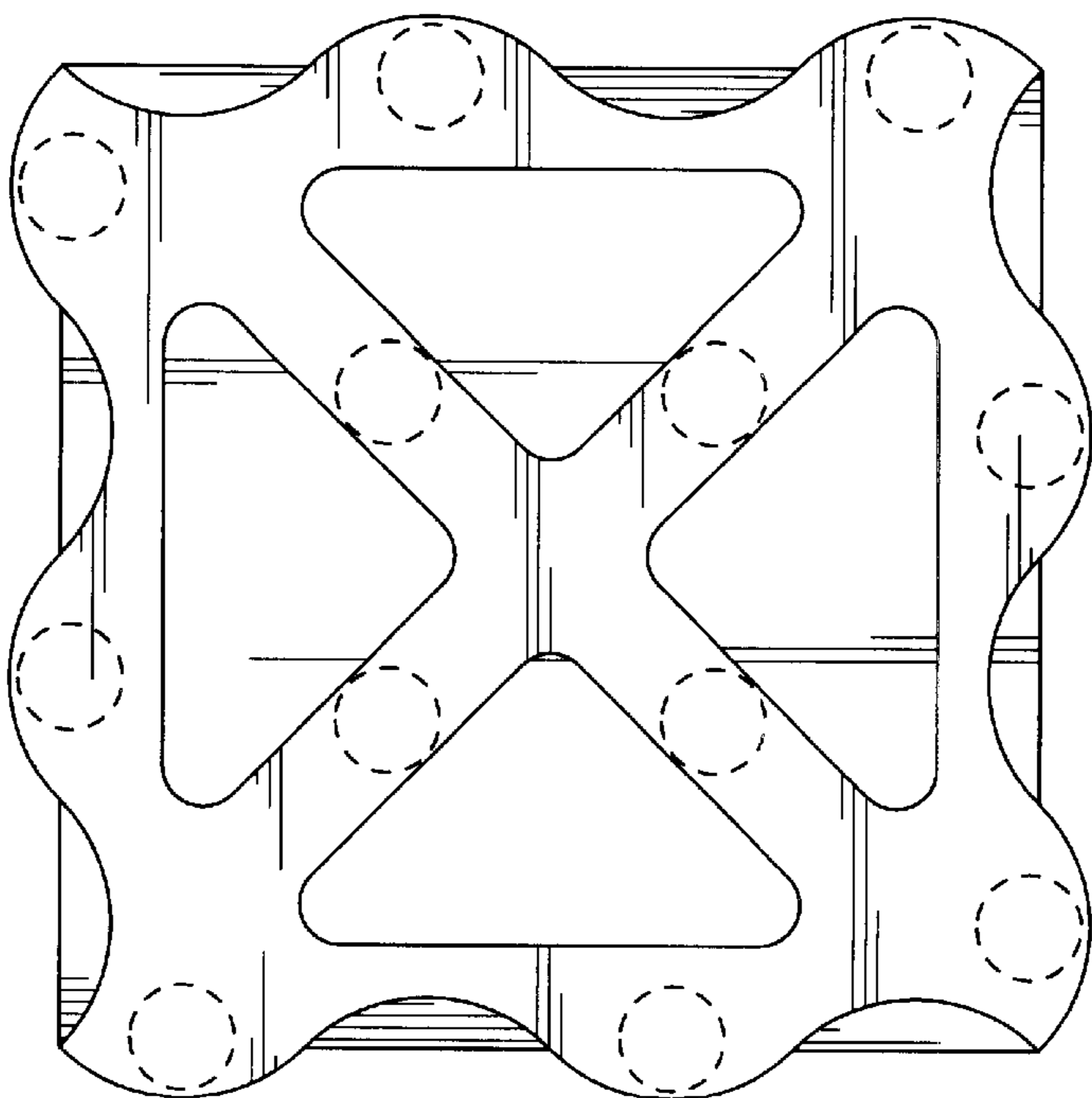


FIG. 5