



US00D470601S

(12) **United States Design Patent**  
**Kohlberger et al.**

(10) **Patent No.:** **US D470,601 S**  
(45) **Date of Patent:** **\*\* Feb. 18, 2003**

(54) **COLUMN BASE**

(76) Inventors: **Walter Kohlberger**, 347 Arvin Avenue,  
Stoney Creek, Ontario (CA), L8E 2M6;  
**Ward Kohlberger**, 347 Arvin Avenue,  
Stoney Creek, Ontario (CA), L8E 2M6

(\*\*) Term: **14 Years**

(21) Appl. No.: **29/149,421**

(22) Filed: **Oct. 11, 2001**

(51) **LOC (7) Cl.** ..... **25-01**

(52) **U.S. Cl.** ..... **D25/133**

(58) **Field of Search** ..... D25/133; 52/264,  
52/297; 248/346.01

(56) **References Cited**

**U.S. PATENT DOCUMENTS**

D409,770 S \* 5/1999 Kohlberger et al. .... D25/133

\* cited by examiner

*Primary Examiner*—Doris Clark

(57) **CLAIM**

The ornamental design for a column base, as shown.

**DESCRIPTION**

FIG. 1 is a top plan view of the column base showing our new design.

FIG. 2 is a side elevational view.

FIG. 3 is a bottom plan view thereof.

FIG. 4 is an upright perspective view of the column base shown in FIGS. 1 to 3.

FIG. 5 is an inverted perspective view of the column base shown in FIGS. 1 to 3.

FIG. 6 is a cross sectional view taken along line 6—6 shown in FIG. 3.

FIG. 7 is a top plan view of a second embodiment of the column base showing our new design.

FIG. 8 is a side elevational view.

FIG. 9 is a bottom plan view thereof.

FIG. 10 is an upright perspective view of the column base shown in FIGS. 7 to 9.

FIG. 11 is an inverted perspective view of the column base shown in FIGS. 7 to 9.

FIG. 12 is a cross sectional view taken along line 12—12 shown in FIG. 9.

FIG. 13 is a top plan view of a third embodiment of the column base showing our new design.

FIG. 14 is a side elevational view.

FIG. 15 is a bottom plan view thereof.

FIG. 16 is an upright perspective view of the column base shown in FIGS. 13 to 15.

FIG. 17 is an inverted perspective view of the column base shown in FIGS. 13 to 15.

FIG. 18 is a cross sectional view taken along line 18—18 shown in FIG. 15.

FIG. 19 is a top plan view of a fourth embodiment of the column base showing our new design.

FIG. 20 is a side elevational view.

FIG. 21 is a bottom plan view thereof.

FIG. 22 is an upright perspective view of the column base shown in FIGS. 19 to 21.

FIG. 23 is an inverted perspective view of the column base shown in FIGS. 19 to 21.

FIG. 24 is a cross sectional view taken along line 24—24 shown in FIG. 21.

FIG. 25 is a top plan view of a fifth embodiment of the column base showing our new design.

FIG. 26 is a side elevational view.

FIG. 27 is a bottom plan view thereof.

FIG. 28 is an upright perspective view of the column base shown in FIGS. 25 to 27.

FIG. 29 is an inverted perspective view of the column base shown in FIGS. 25 to 27.

FIG. 30 is a cross sectional view taken along line 30—30 shown in FIG. 27.

FIG. 31 is a top plan view of a sixth embodiment of the column base showing our new design.

FIG. 32 is a side elevational view.

FIG. 33 is a bottom plan view thereof.

FIG. 34 is an upright perspective view of the column base shown in FIGS. 31 to 33.

FIG. 35 is an inverted perspective view of the column base shown in FIGS. 31 to 33.

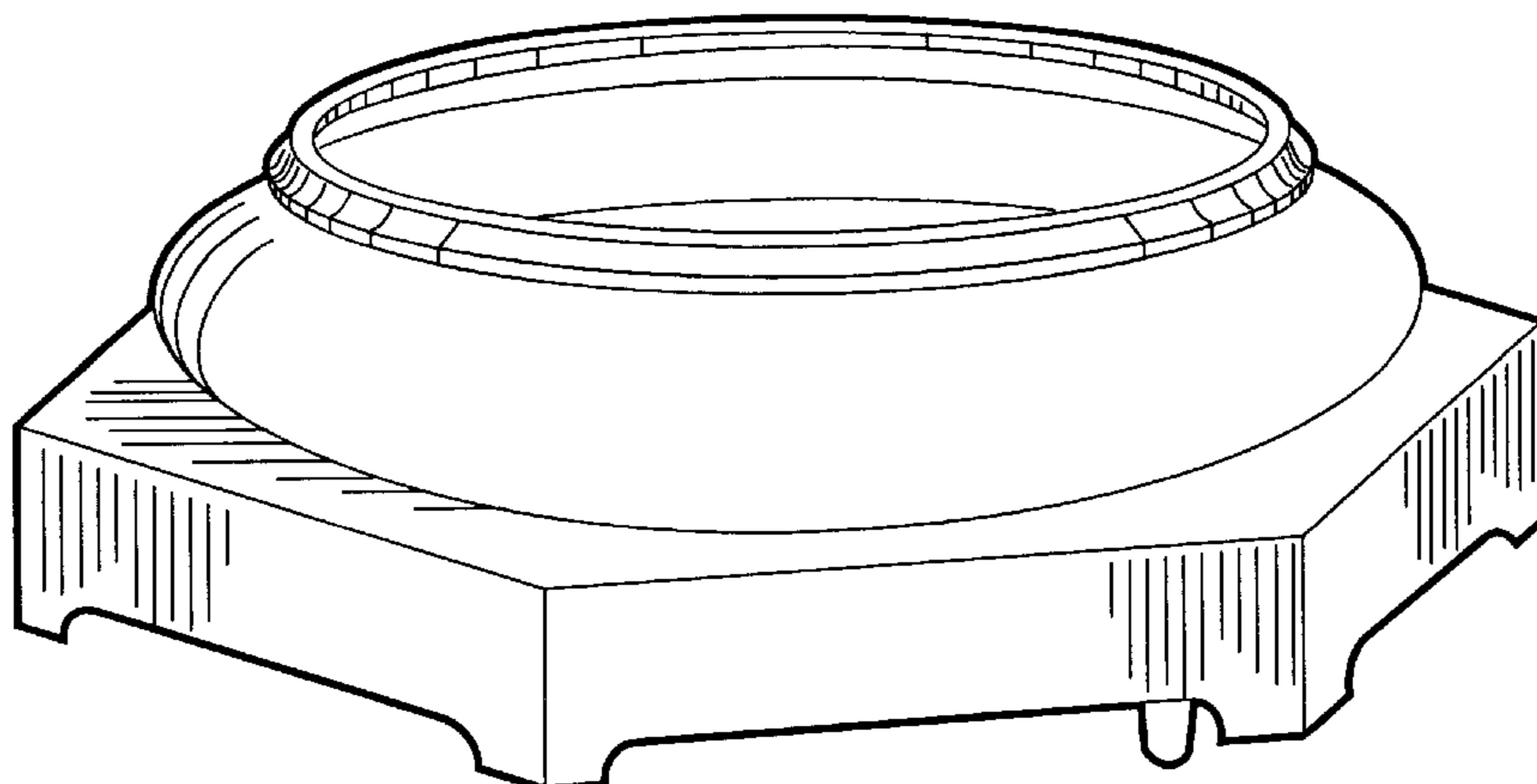


FIG. 36 is a cross sectional view taken along line 36—36 shown in FIG. 33.

FIG. 37 is a top plan view of a seventh embodiment of the column base showing our new design.

FIG. 38 is a side elevational view.

FIG. 39 is a bottom plan view thereof.

FIG. 40 is an upright perspective view of the column base shown in FIGS. 37 to 39.

FIG. 41 is an inverted perspective view of the column base shown in FIGS. 37 to 39.

FIG. 42 is a cross sectional view taken along line 42—42 shown in FIG. 39.

FIG. 43 is a top plan view of an eighth embodiment of the column base showing our new design.

FIG. 44 is a side elevational view.

FIG. 45 is a bottom plan view thereof.

FIG. 46 is an upright perspective view of the column base shown in FIGS. 43 to 45.

FIG. 47 is an inverted perspective view of the column base shown in FIGS. 43 to 45; and,

FIG. 48 is a cross sectional view taken along line 48—48 shown in FIG. 45.

**1 Claim, 16 Drawing Sheets**

FIG. 1

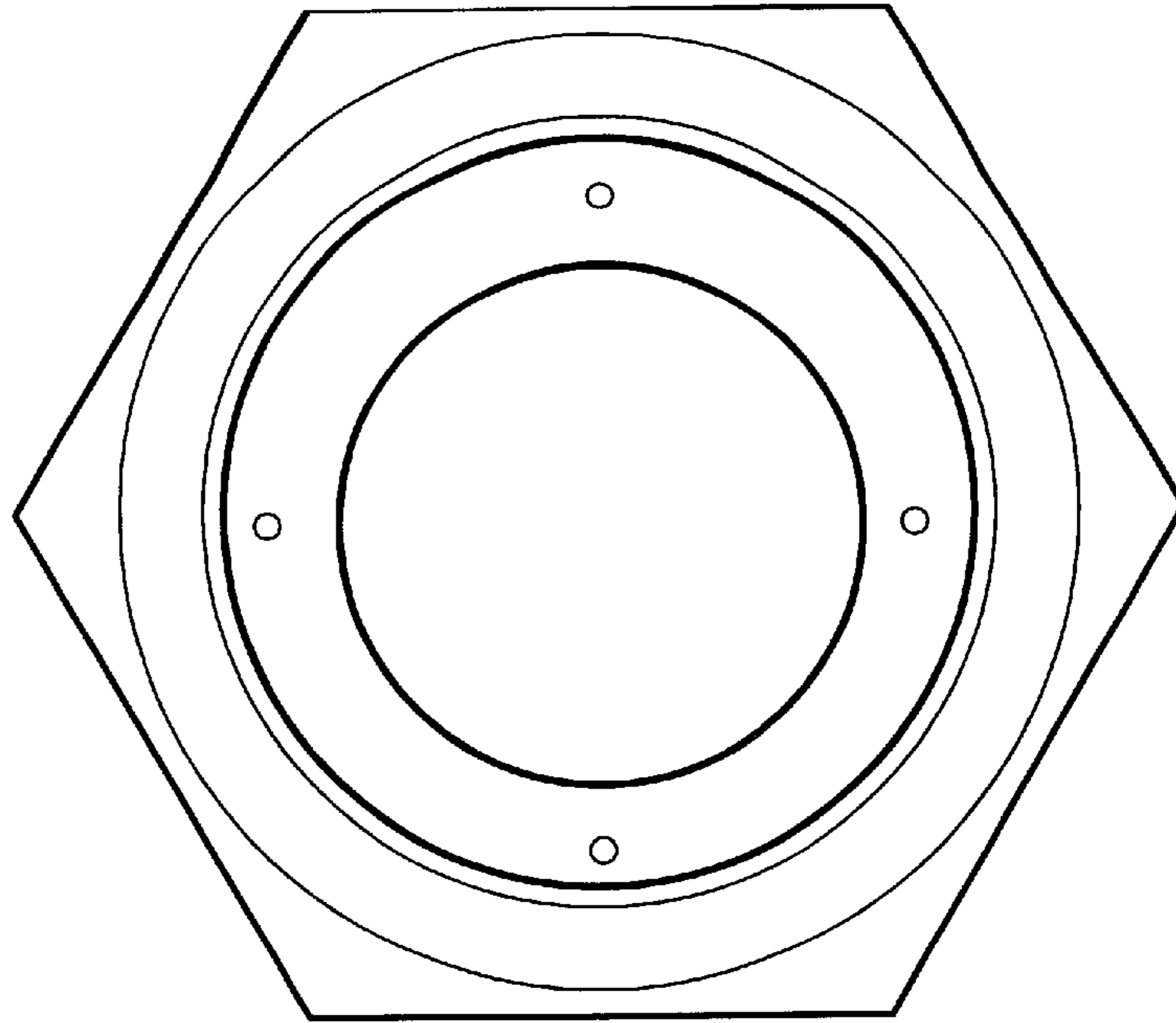


FIG. 2

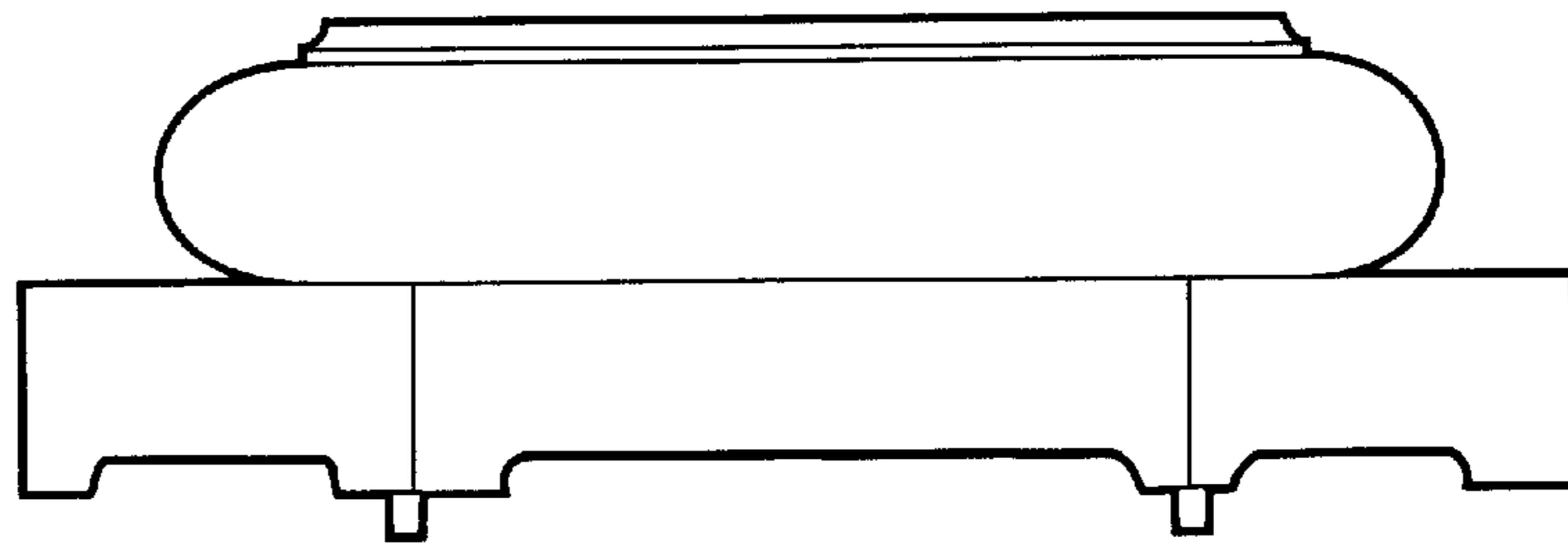


FIG. 3

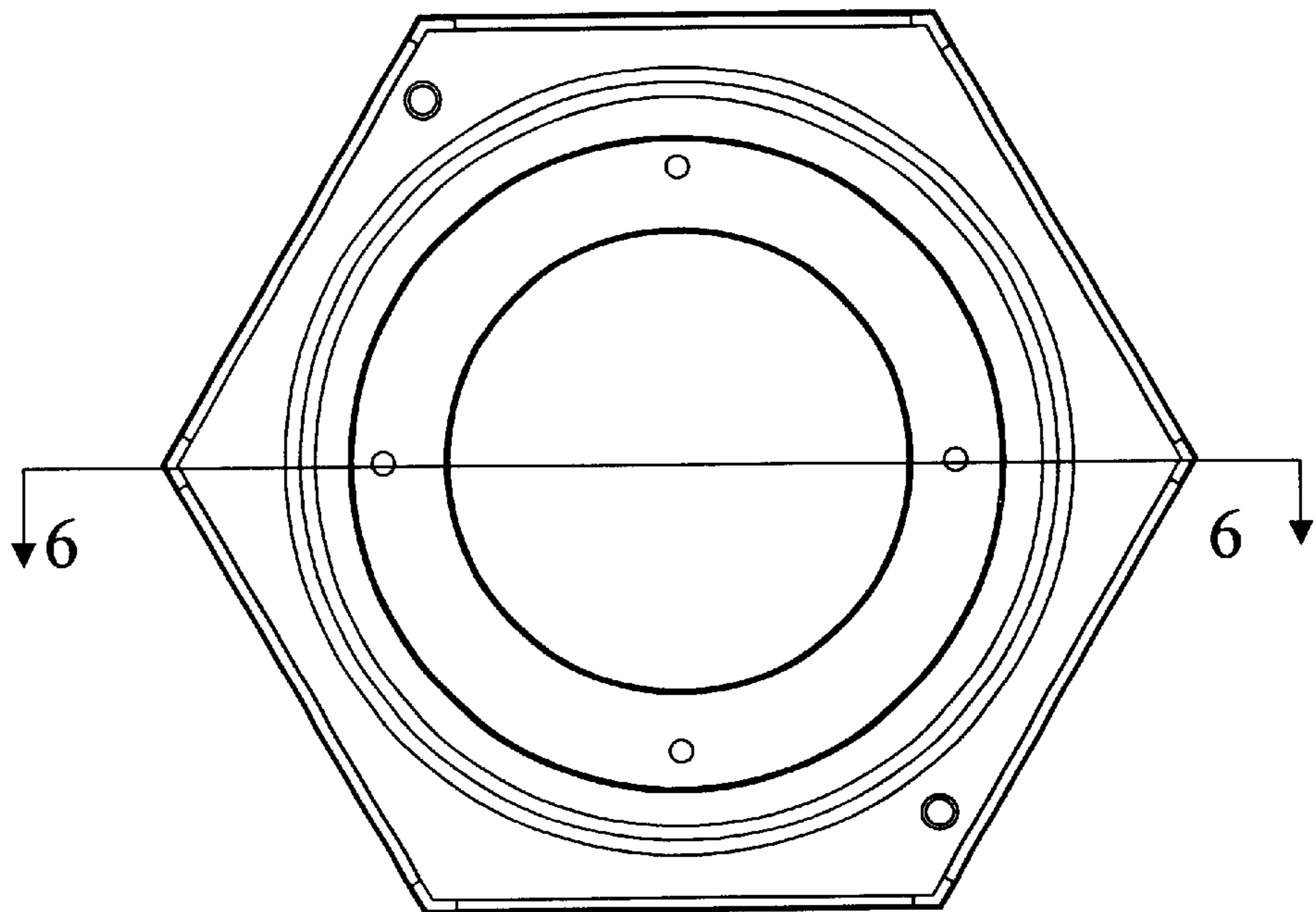


FIG. 4

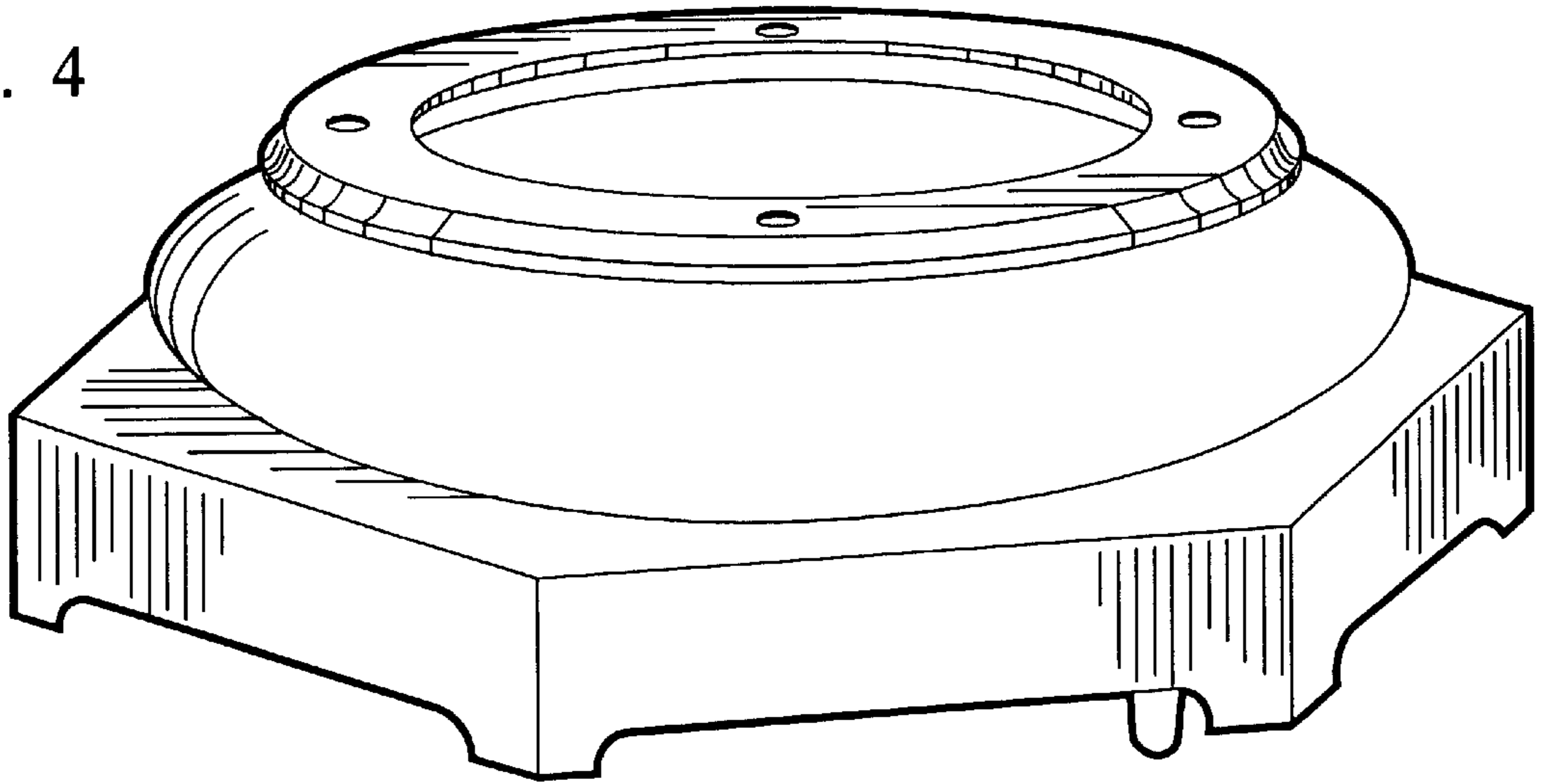


FIG. 5

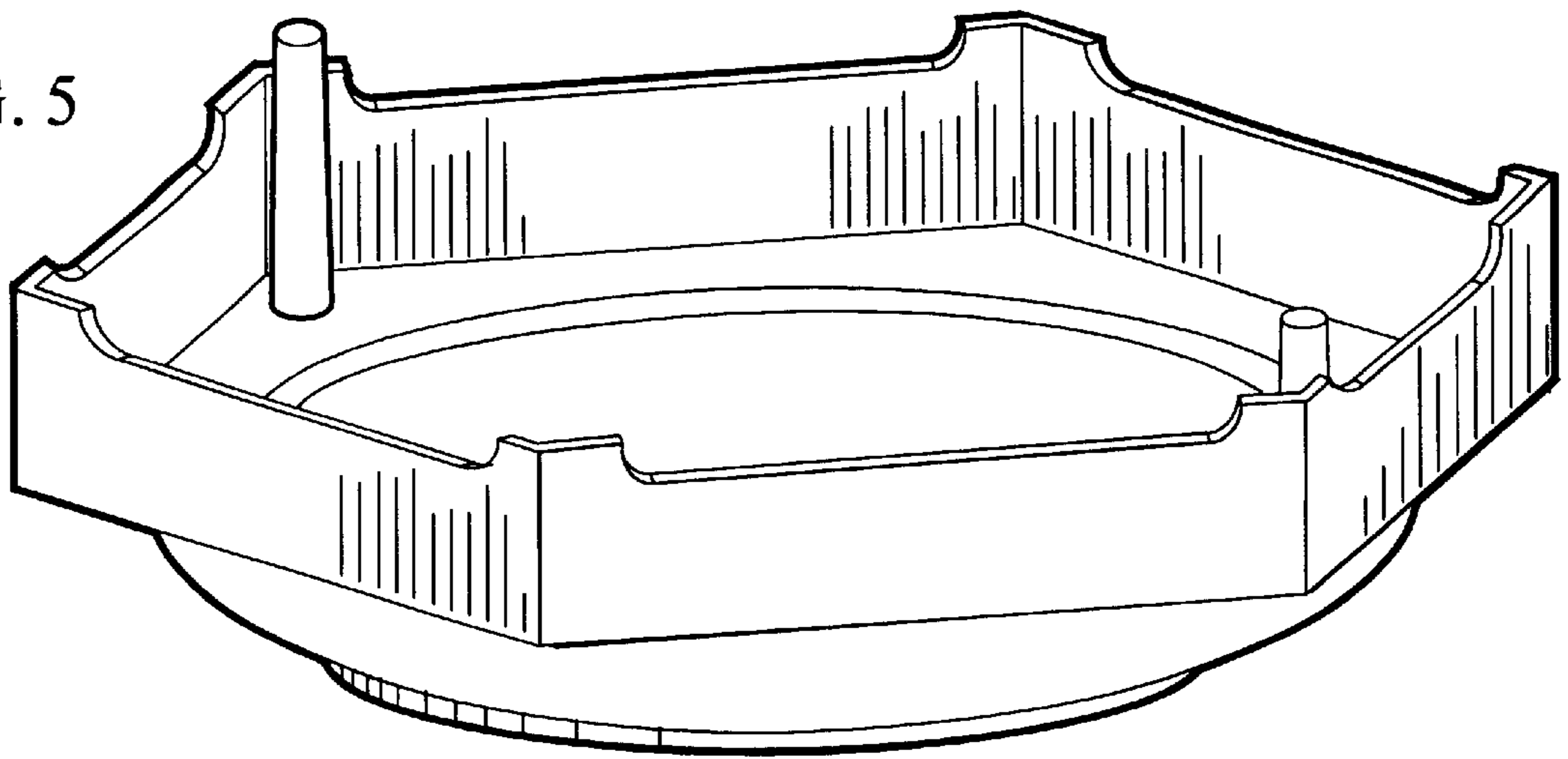


FIG. 6

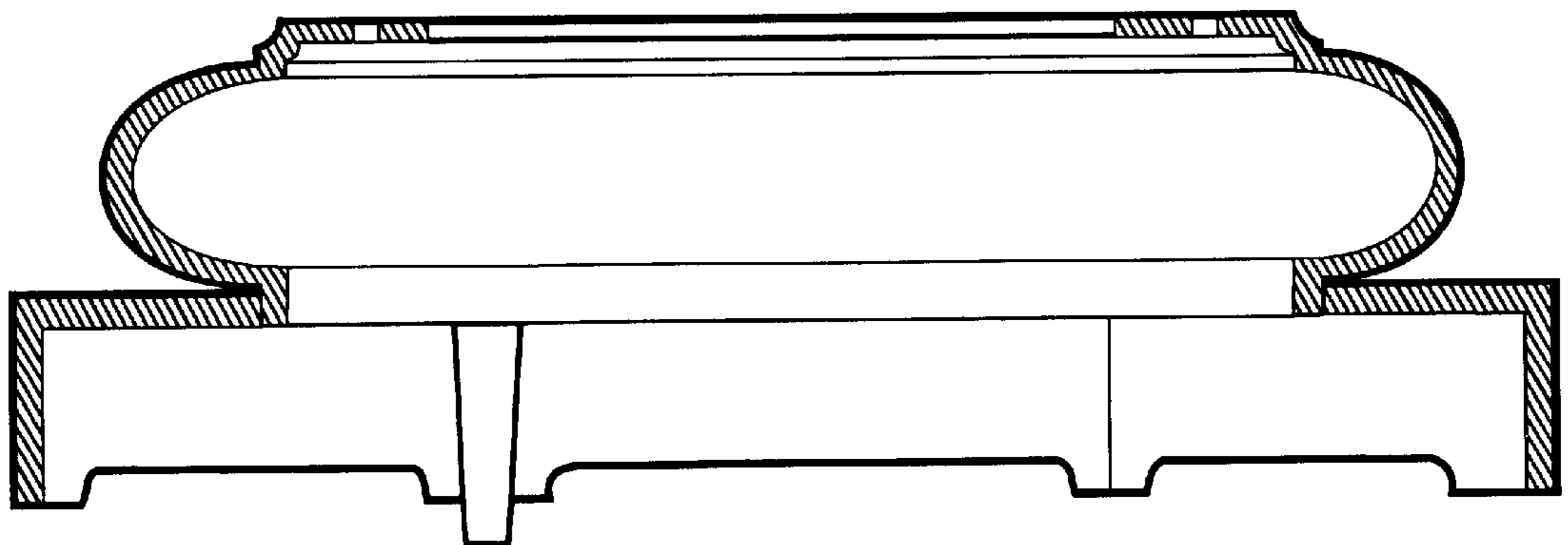


FIG. 7

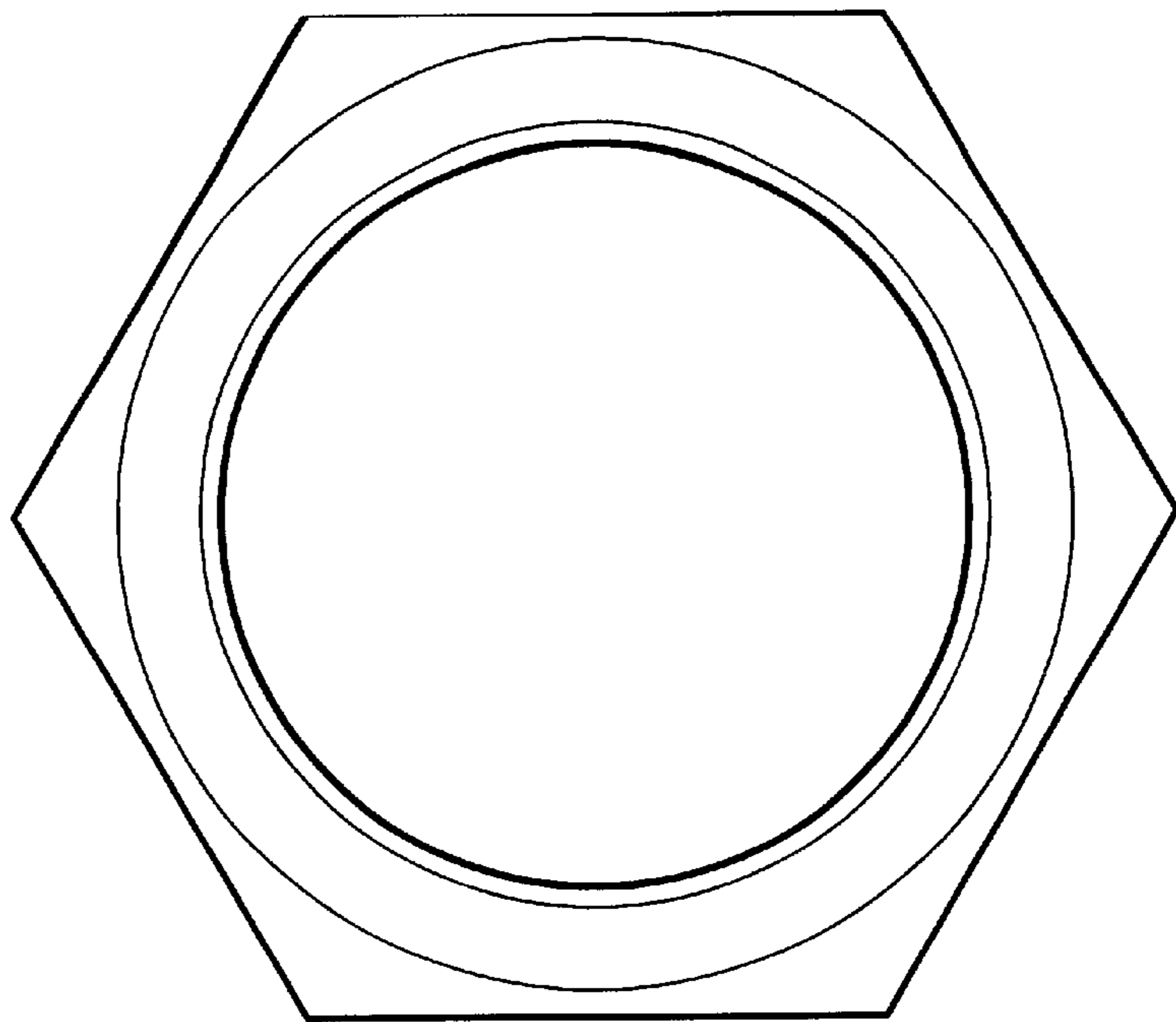


FIG. 8

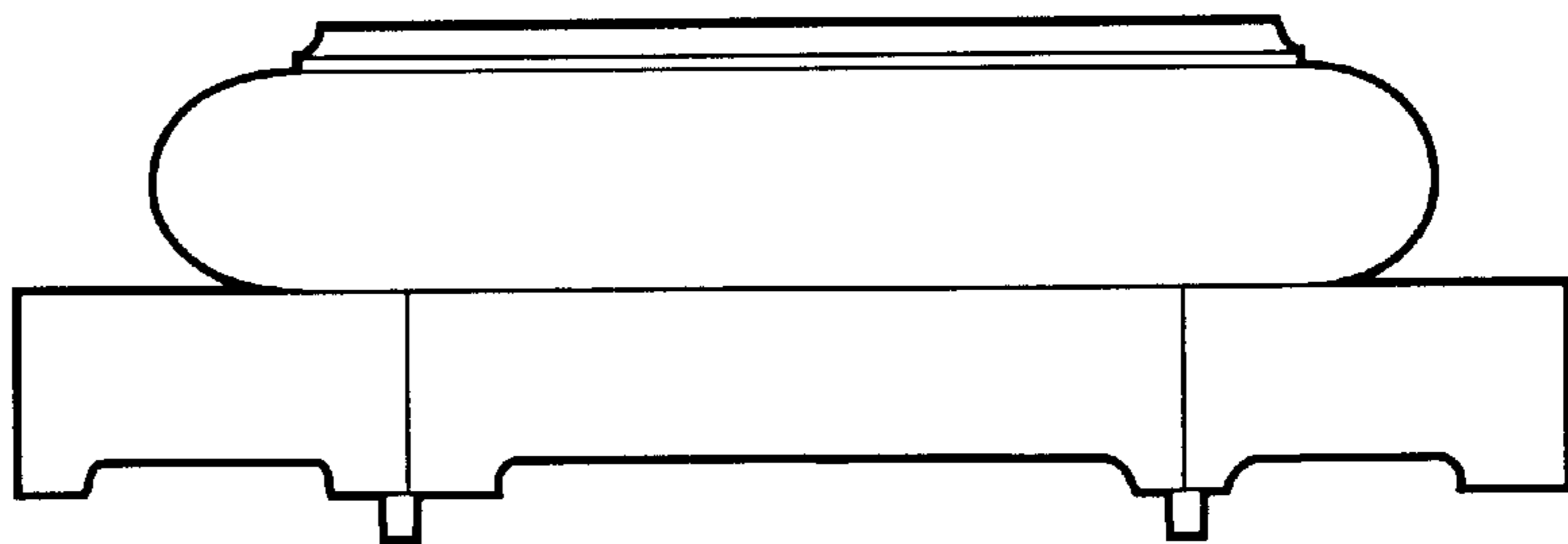


FIG. 9

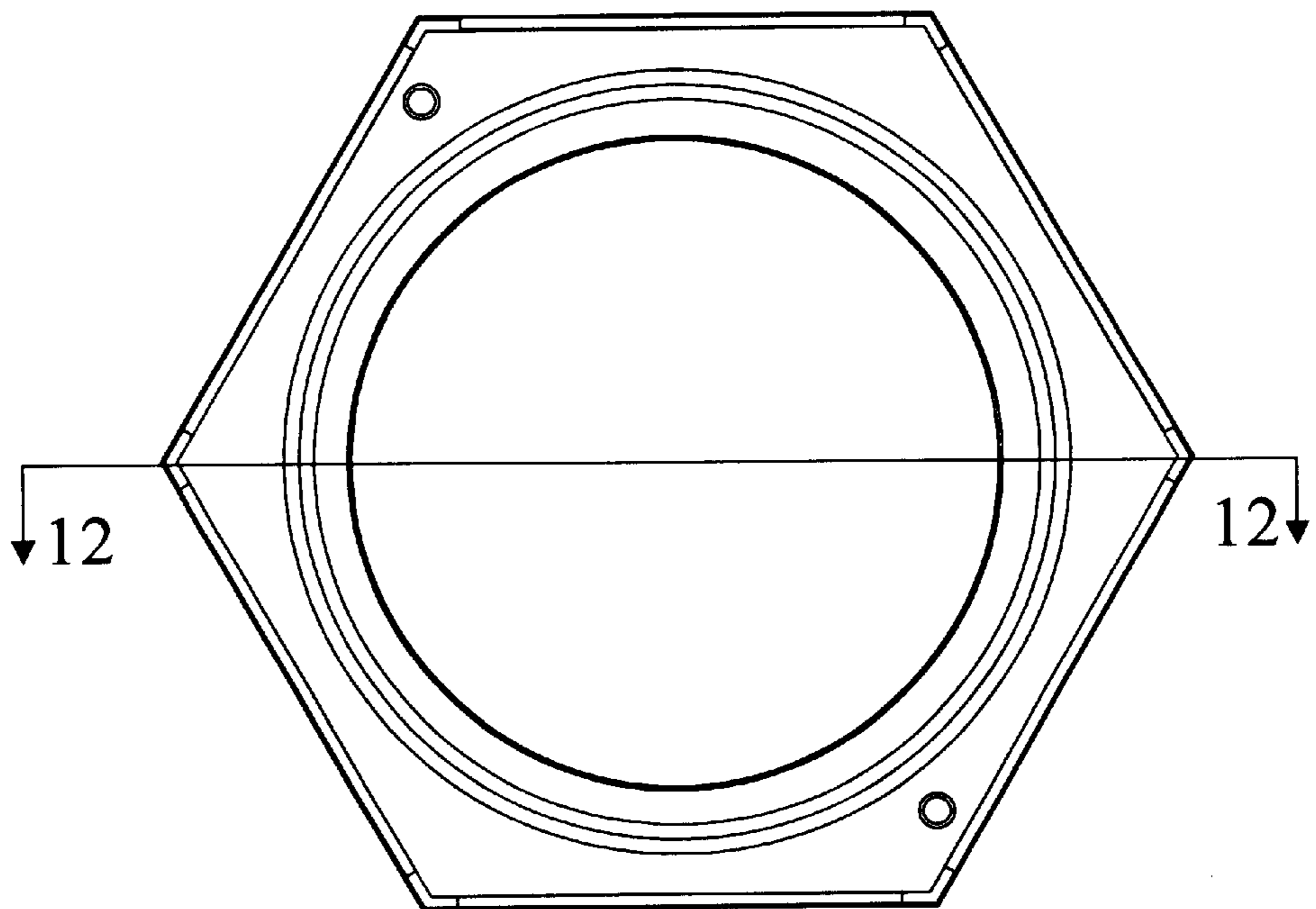


FIG. 10

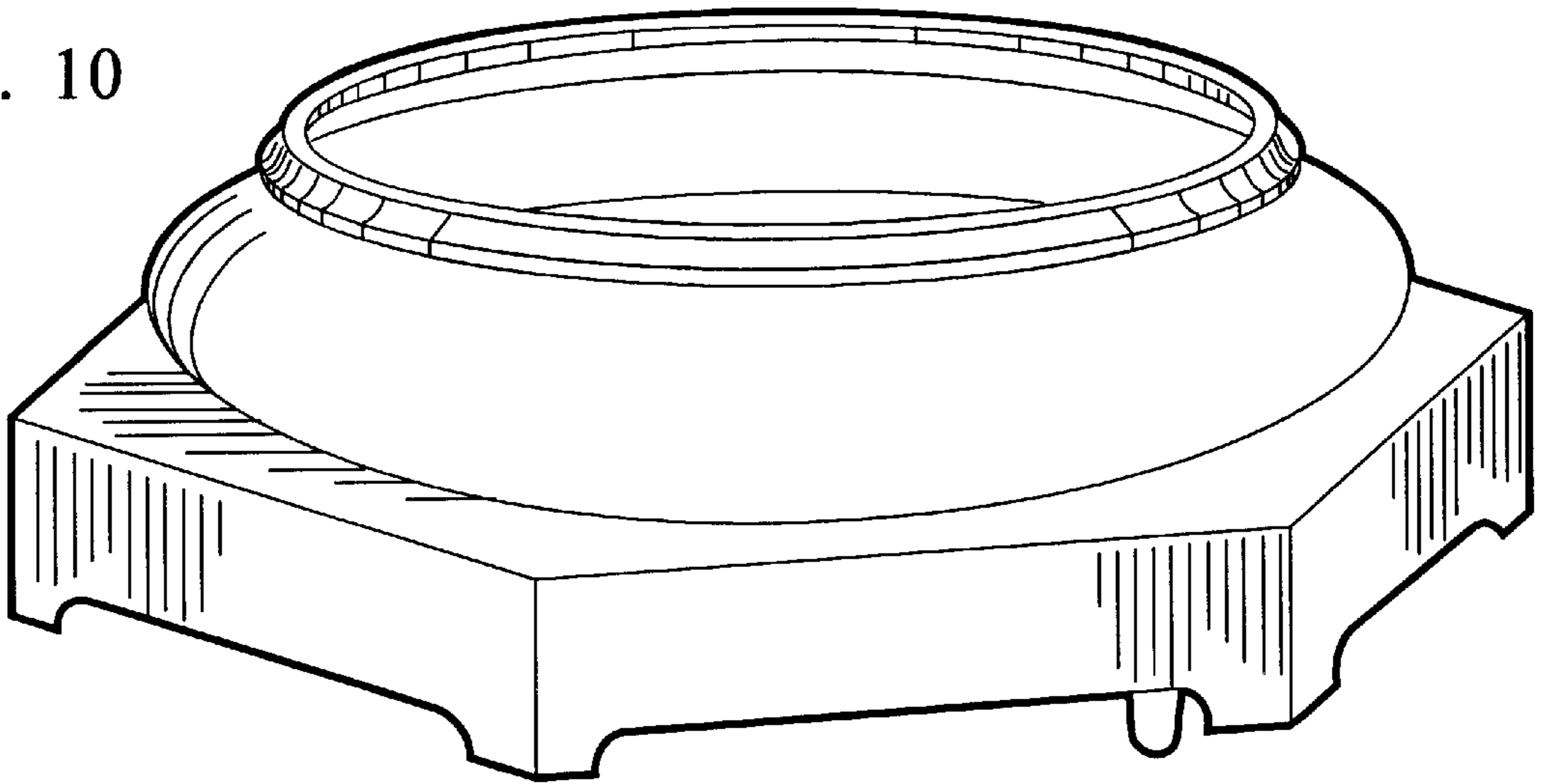


FIG. 11

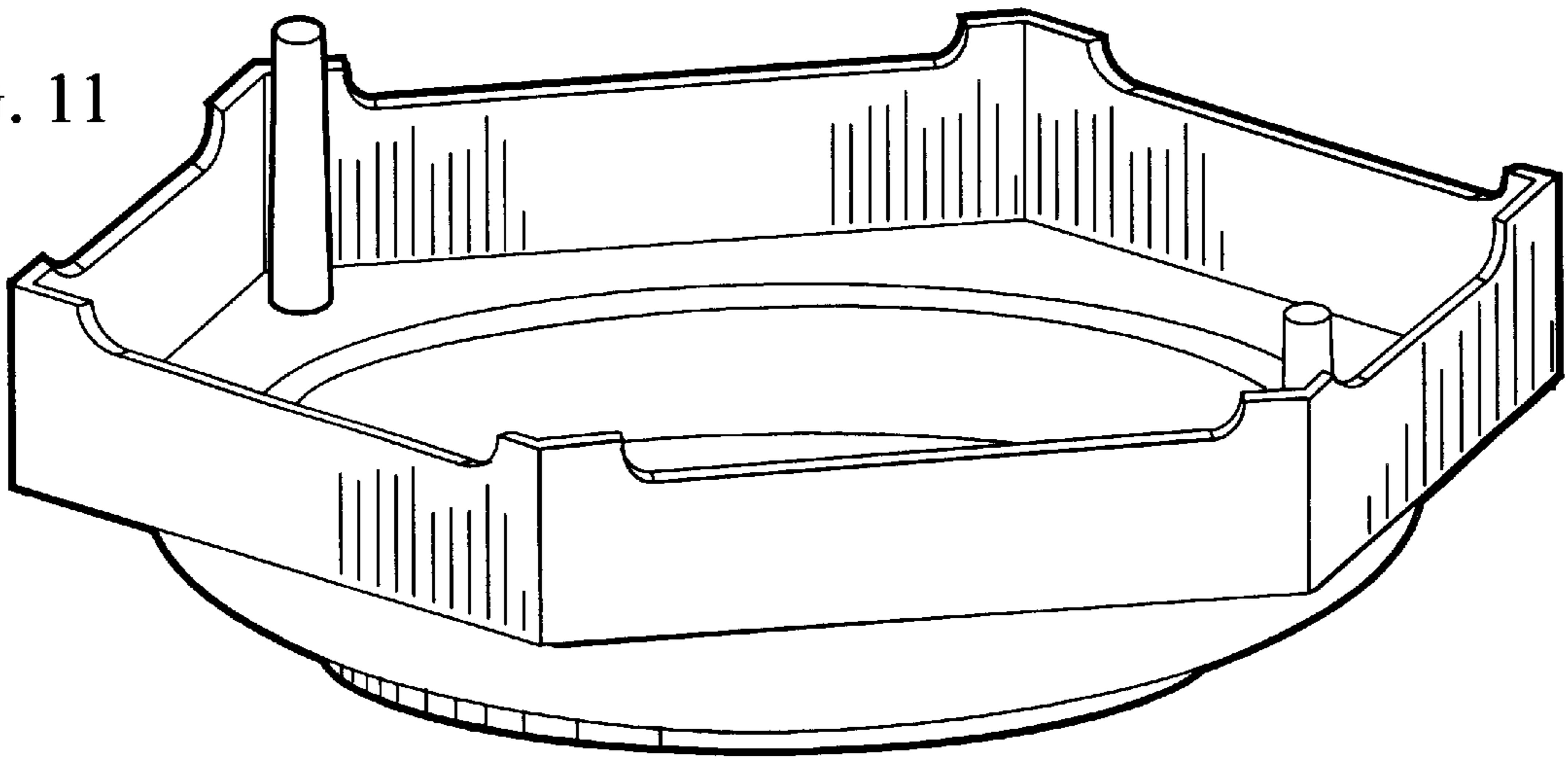


FIG. 12

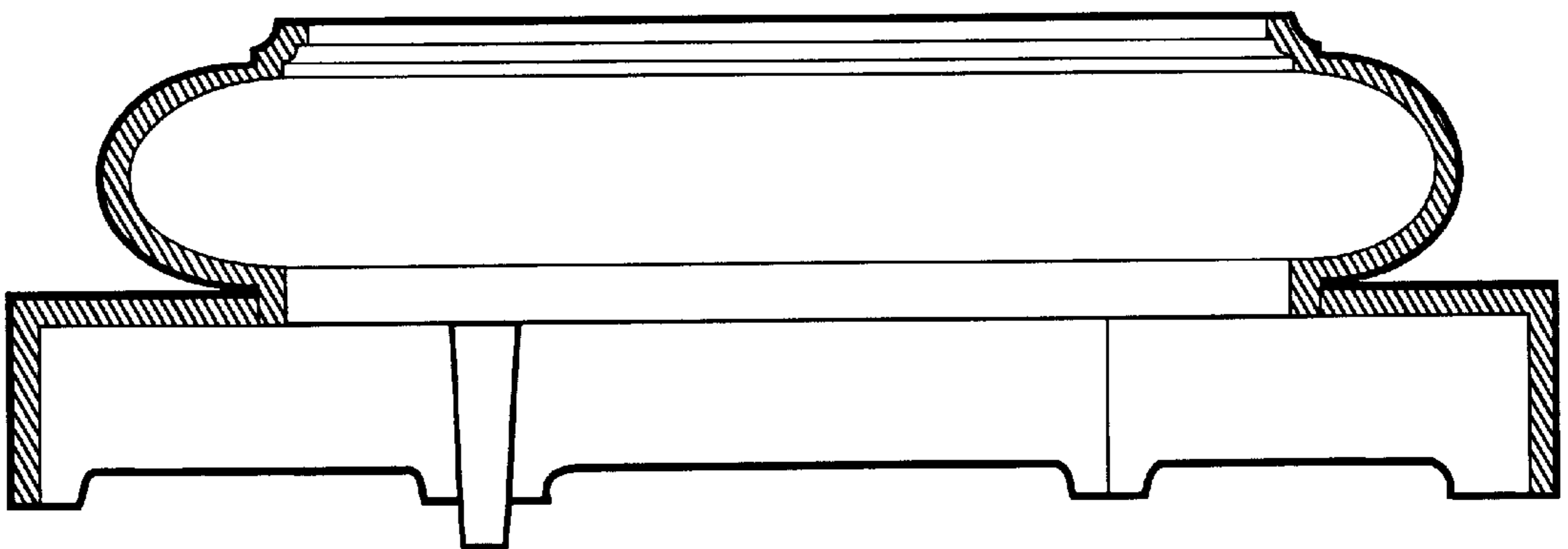


FIG. 13

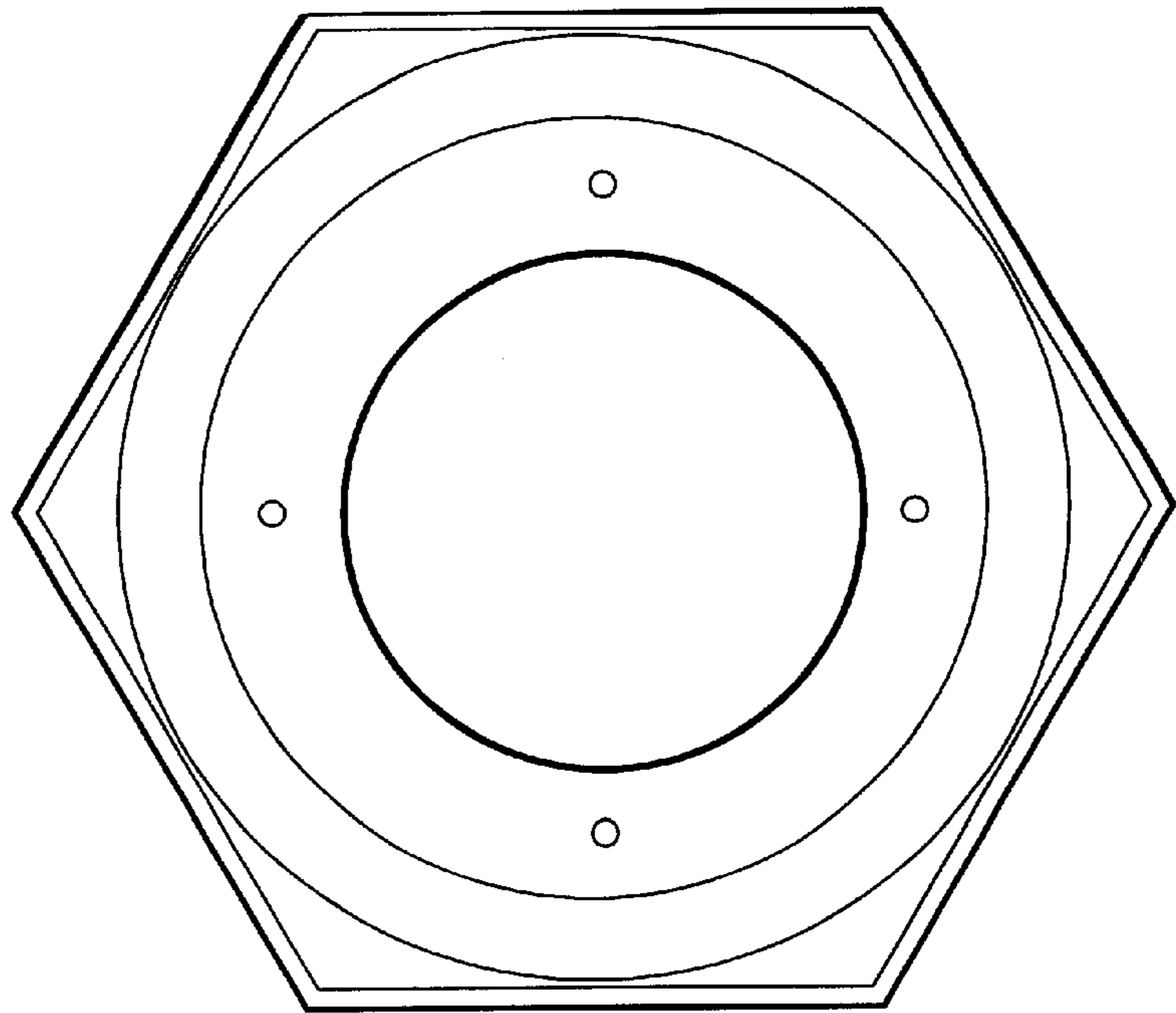


FIG. 14

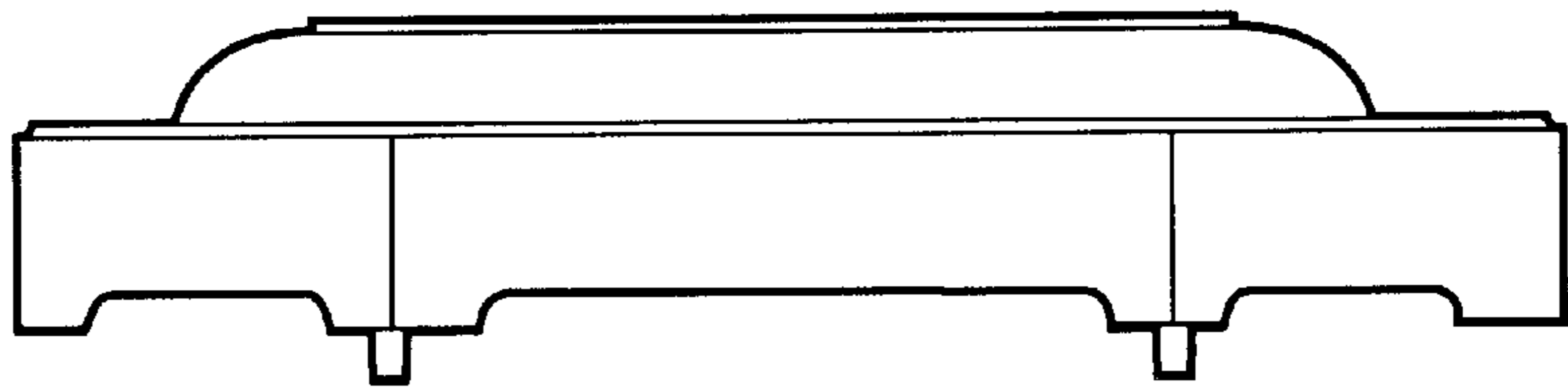


FIG. 15

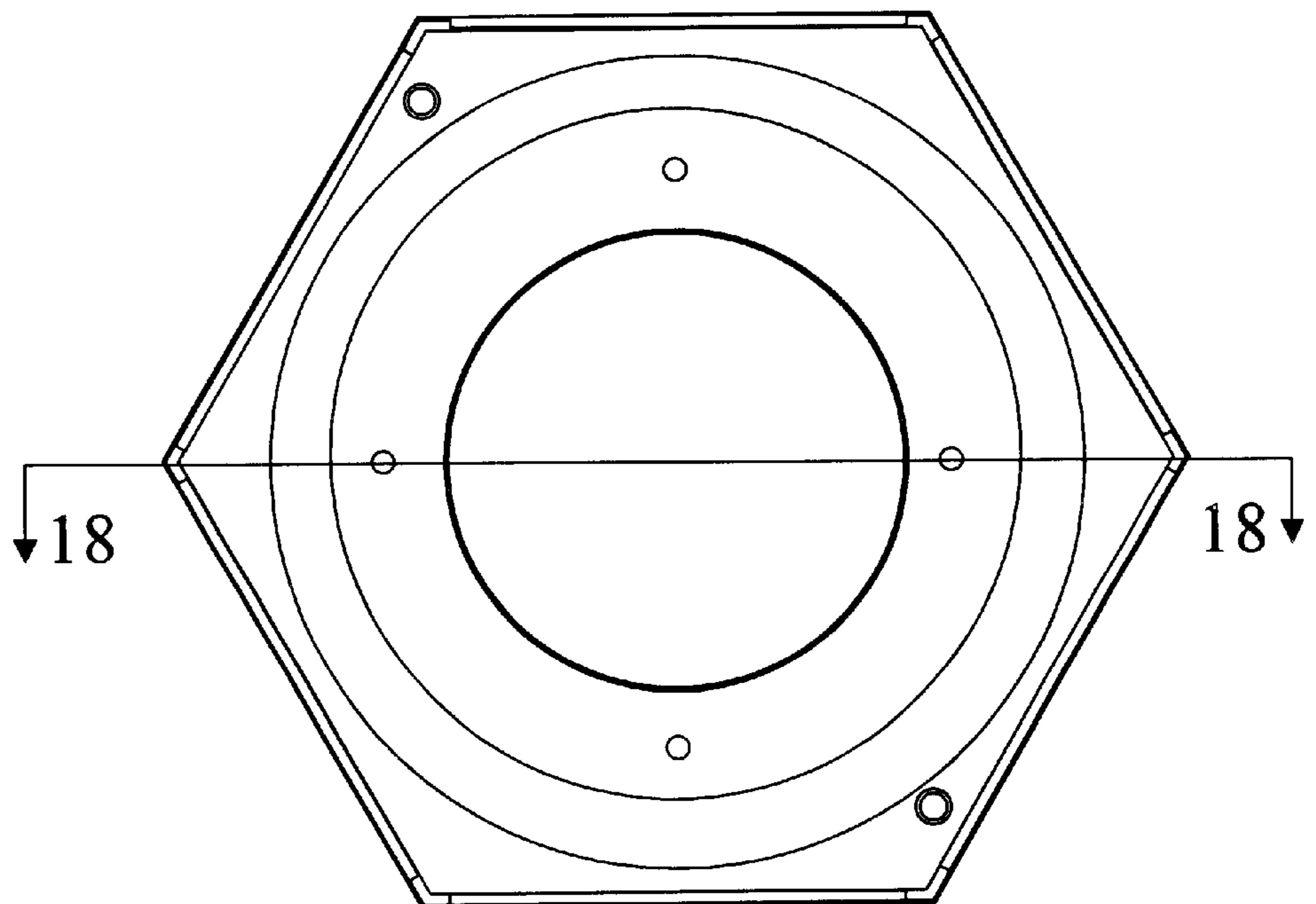


FIG. 16

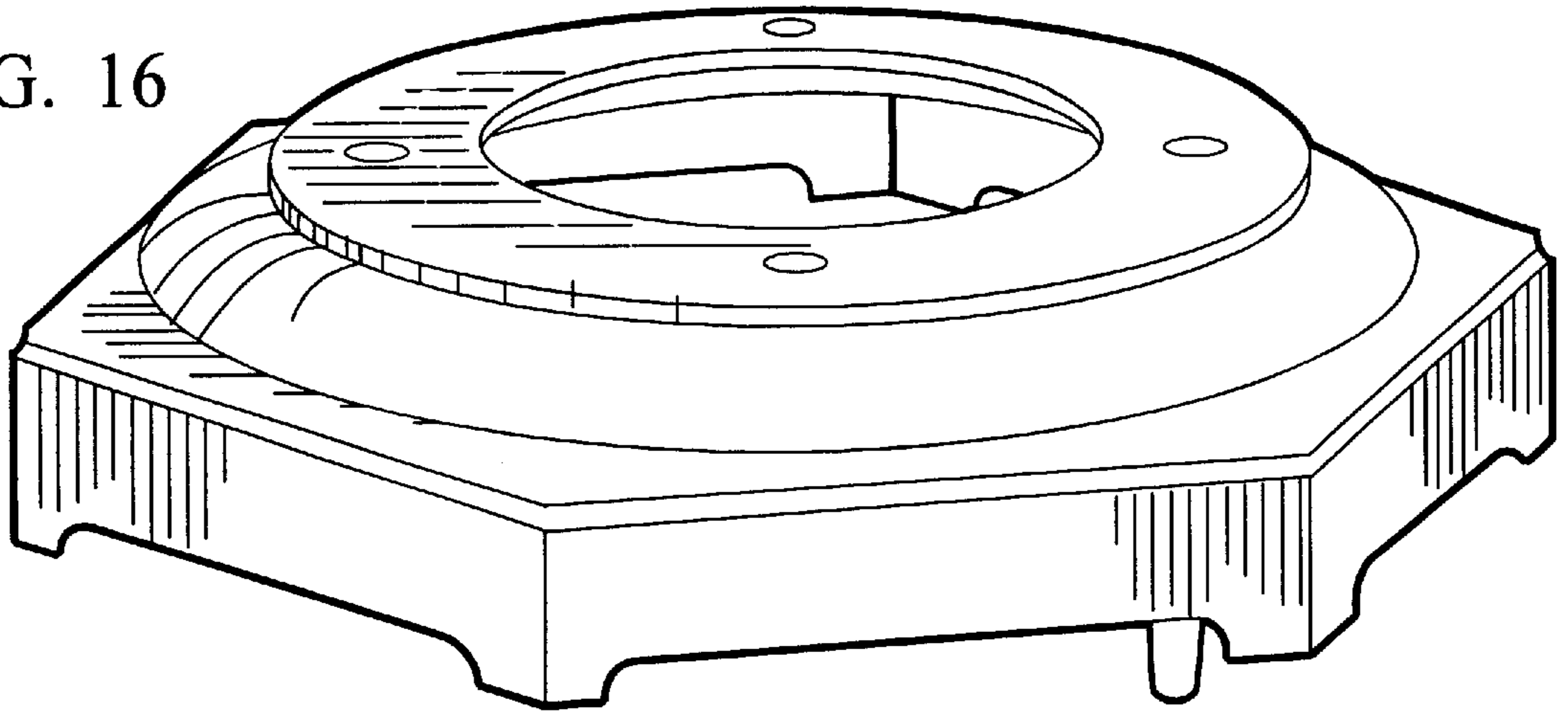


FIG. 17

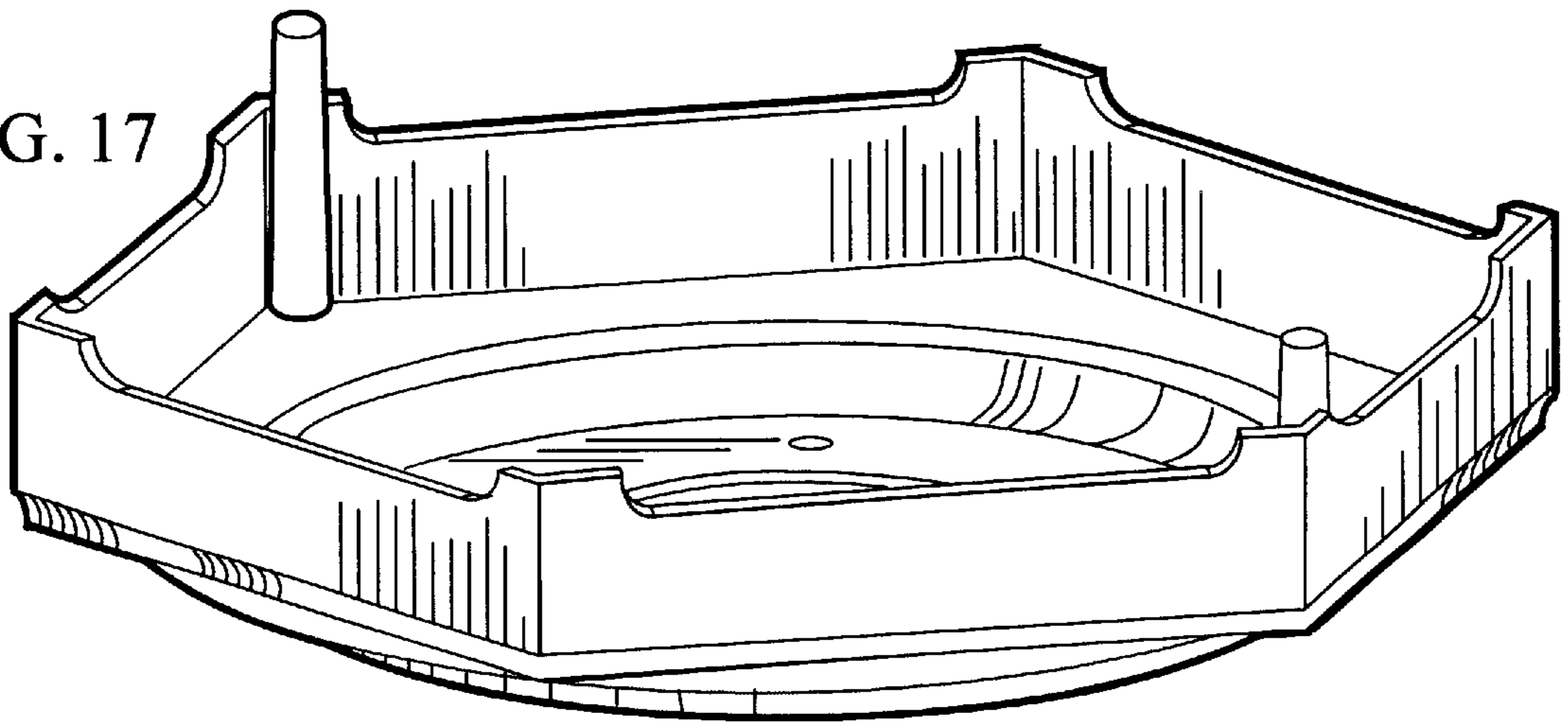


FIG. 18

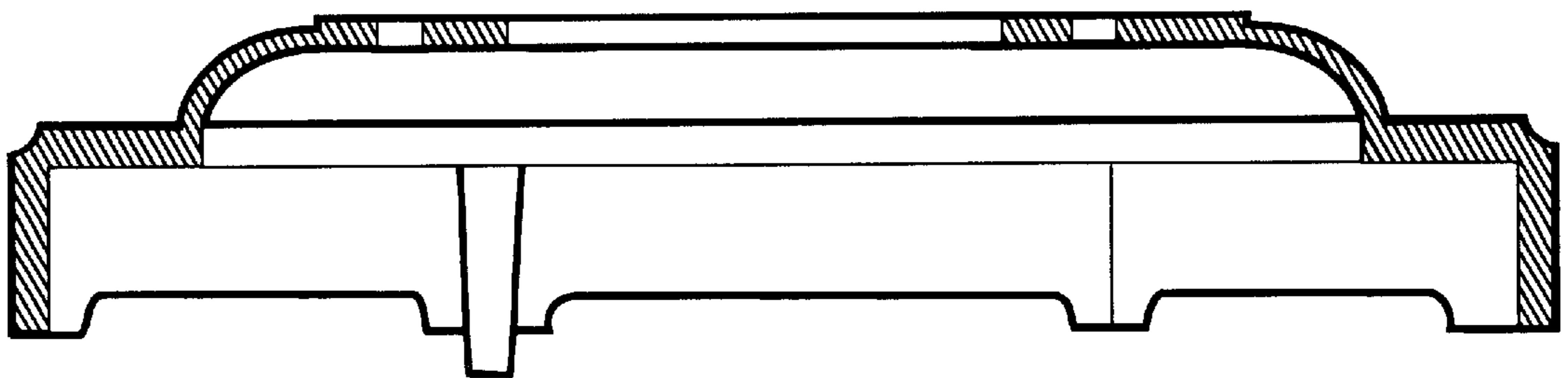




FIG. 19

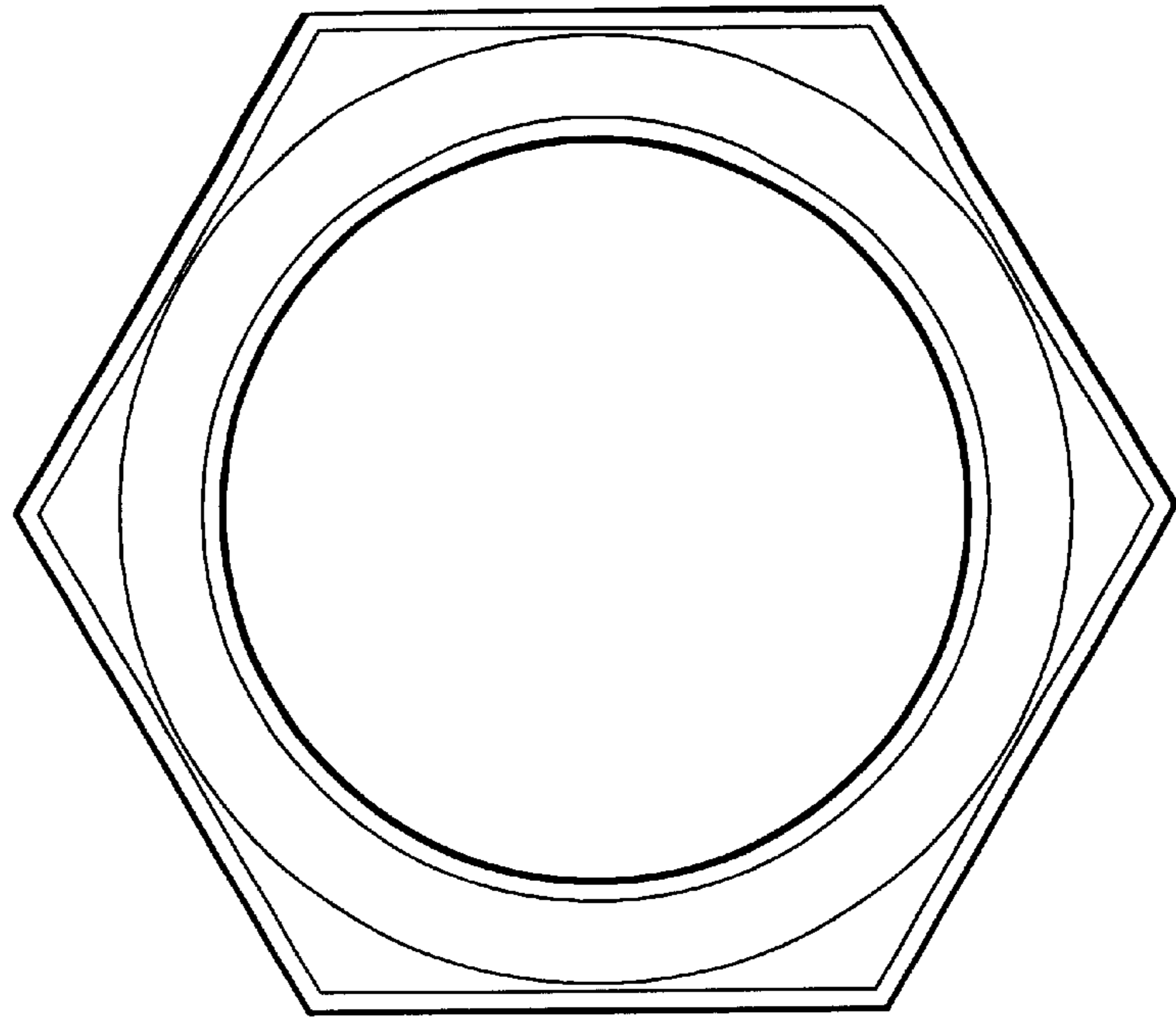


FIG. 20

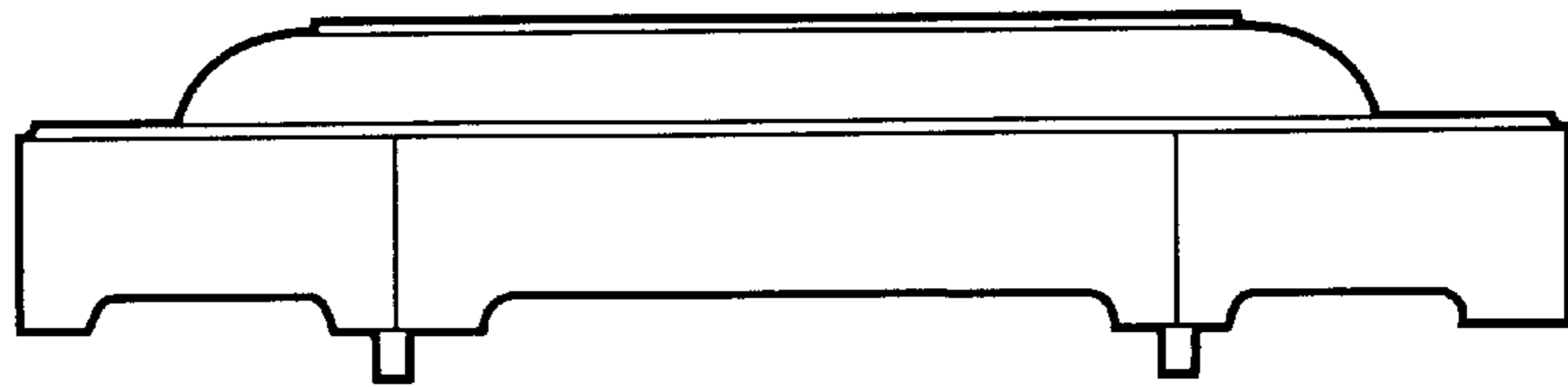


FIG. 21

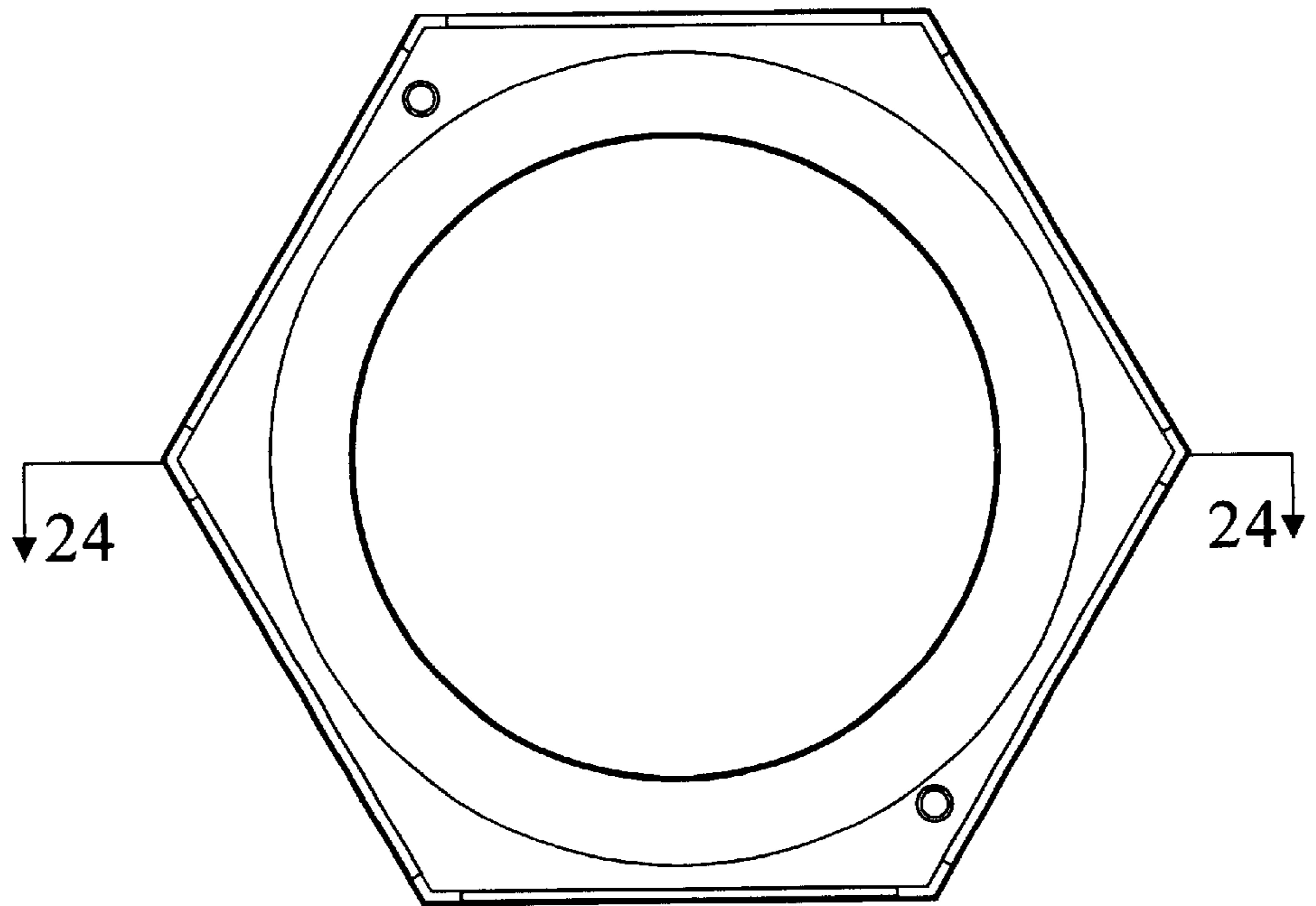


FIG. 22

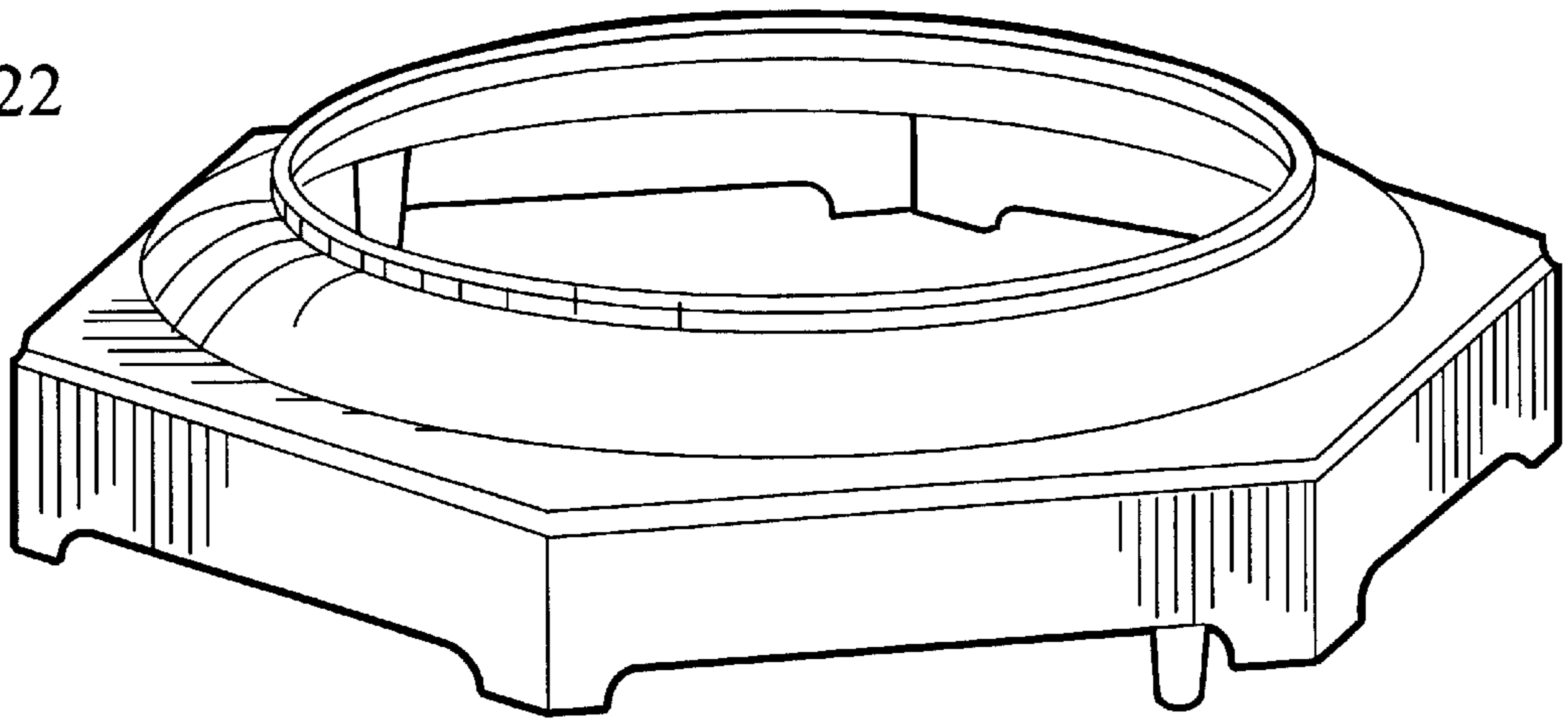


FIG. 23

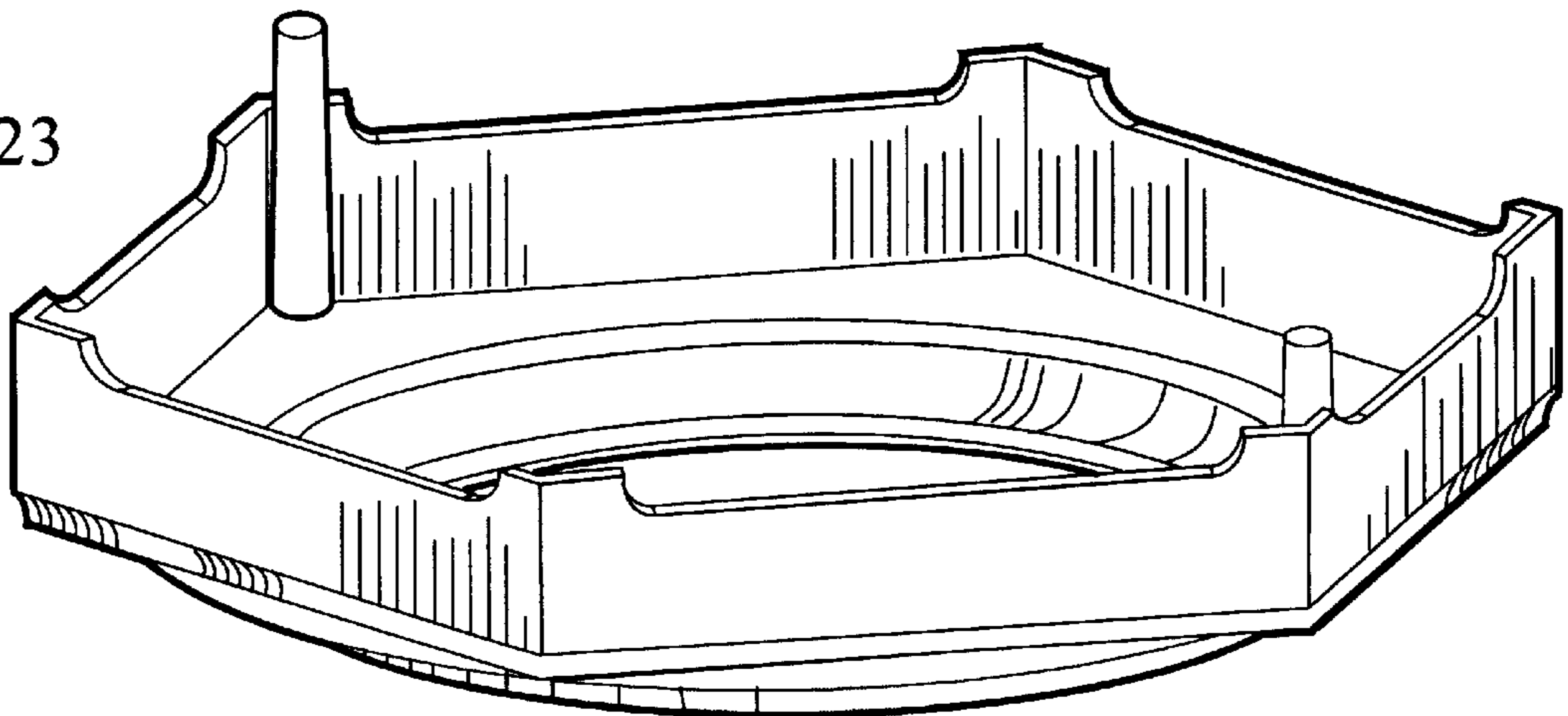


FIG. 24

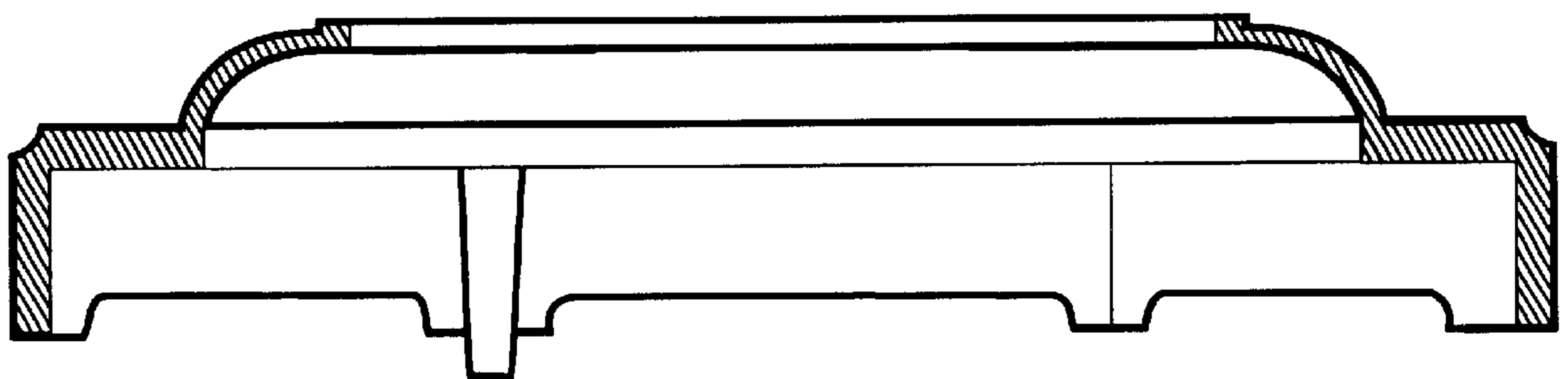


FIG. 25

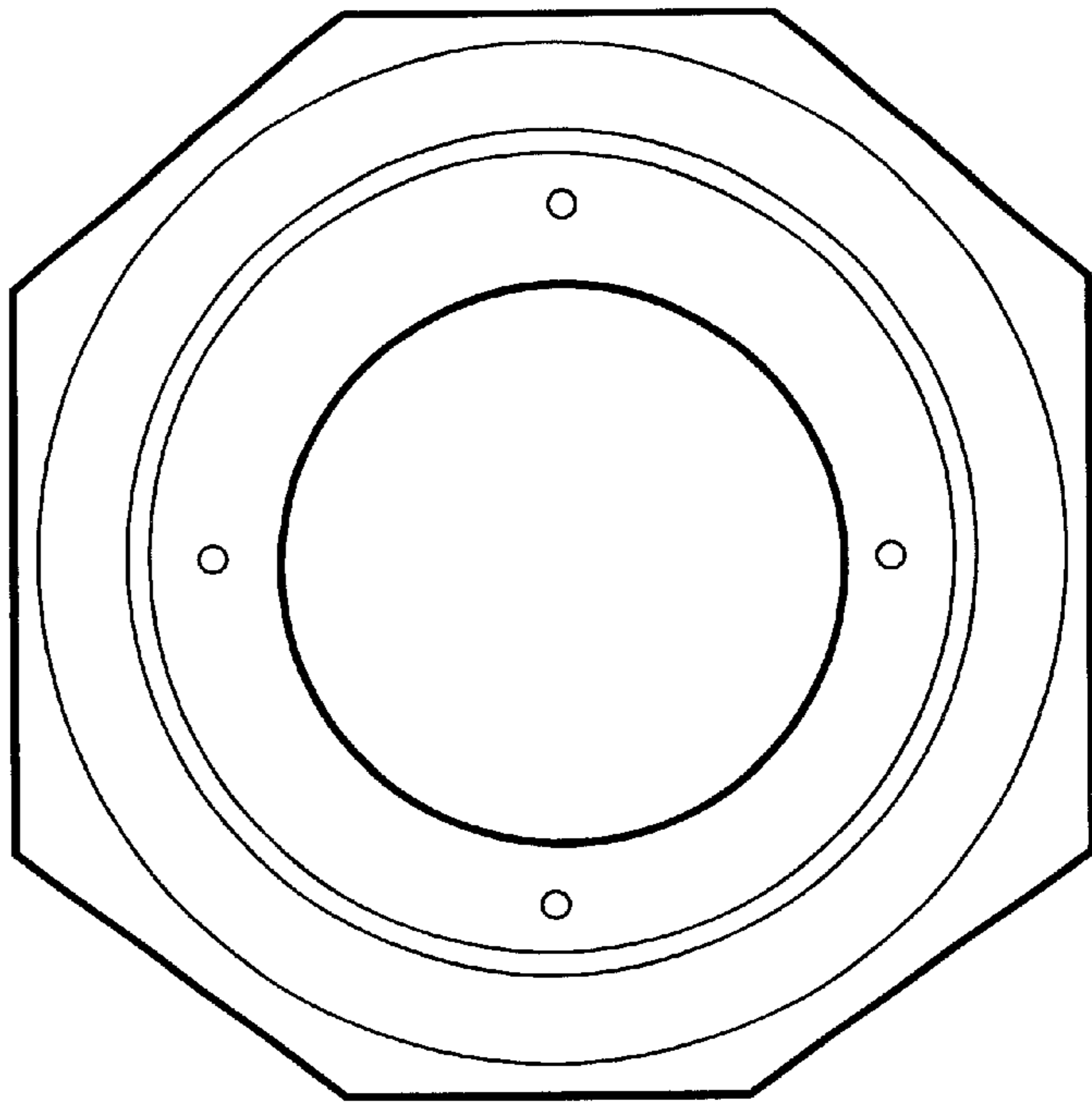


FIG. 26

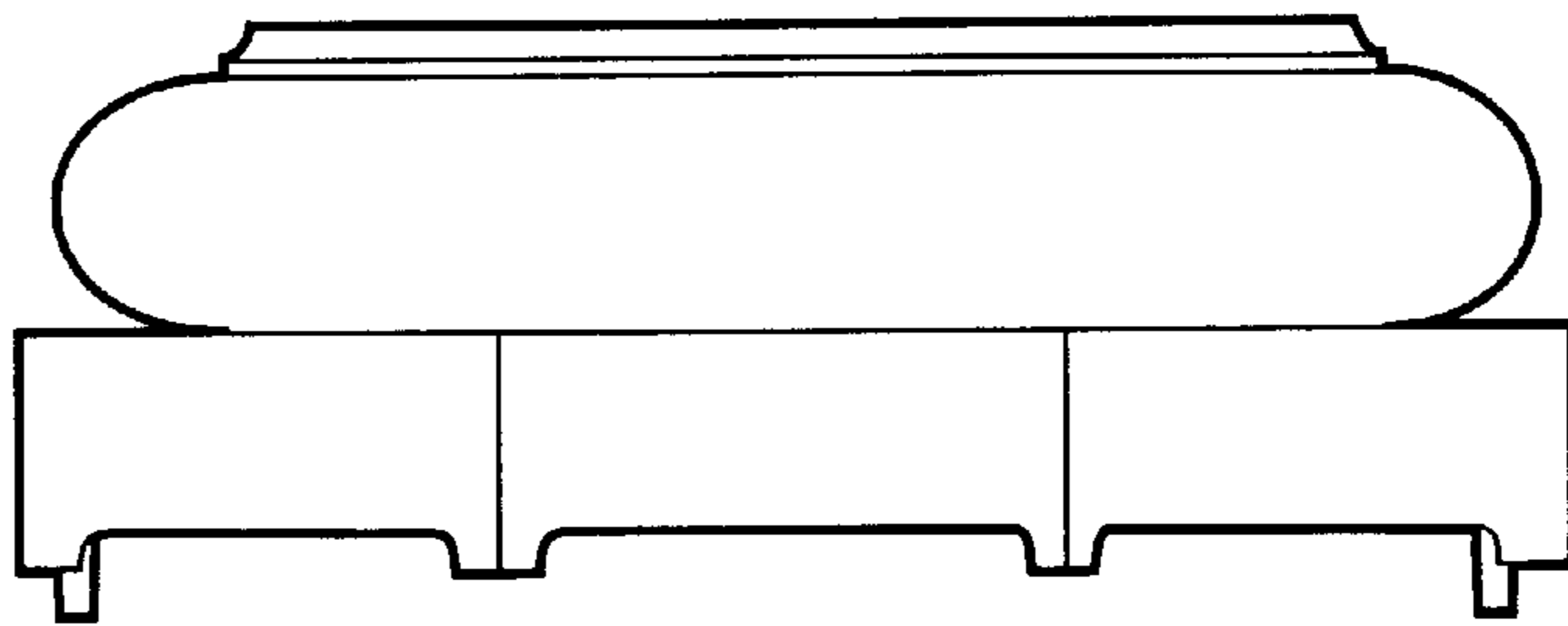


FIG. 27

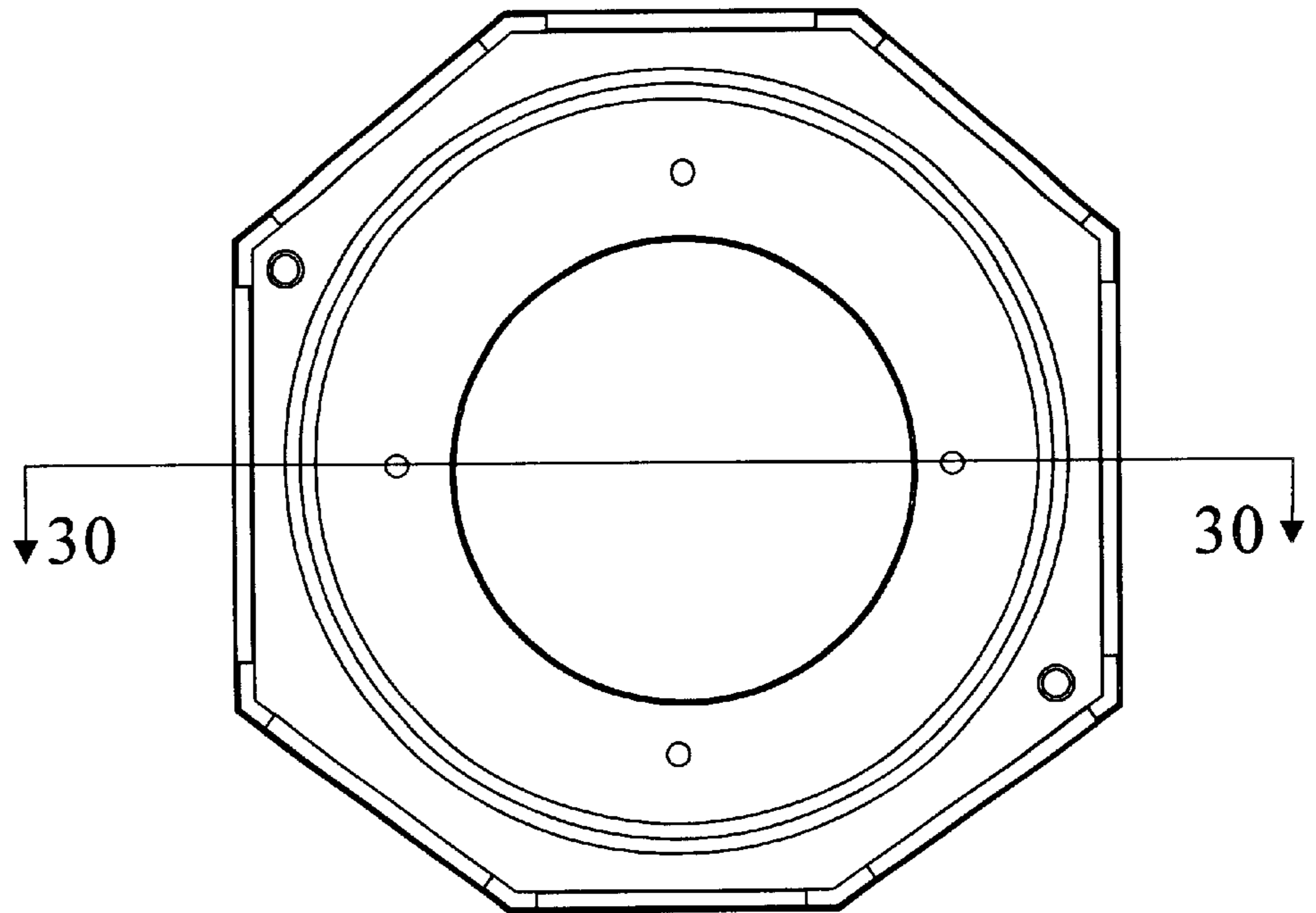


FIG. 28

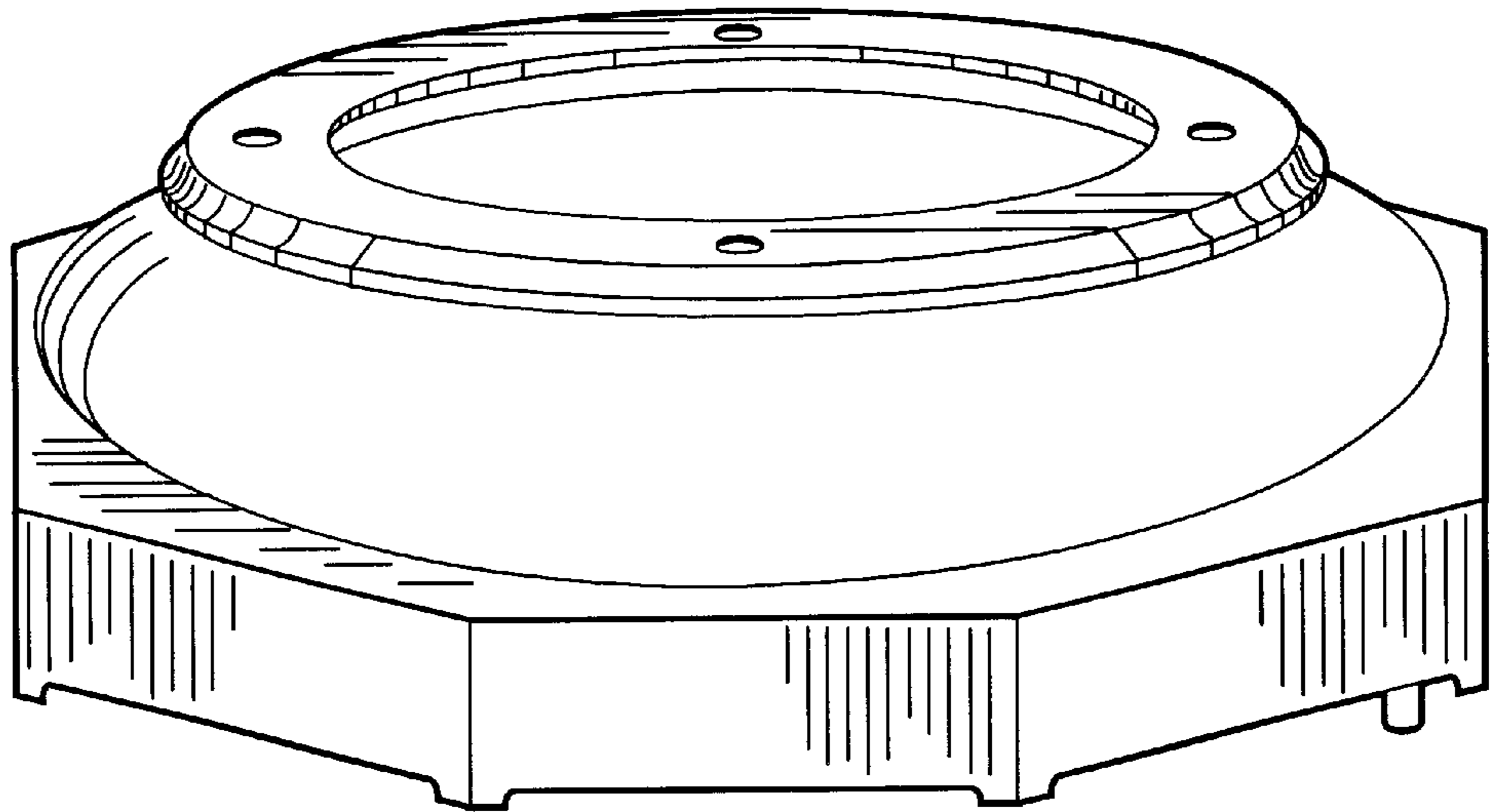


FIG. 29

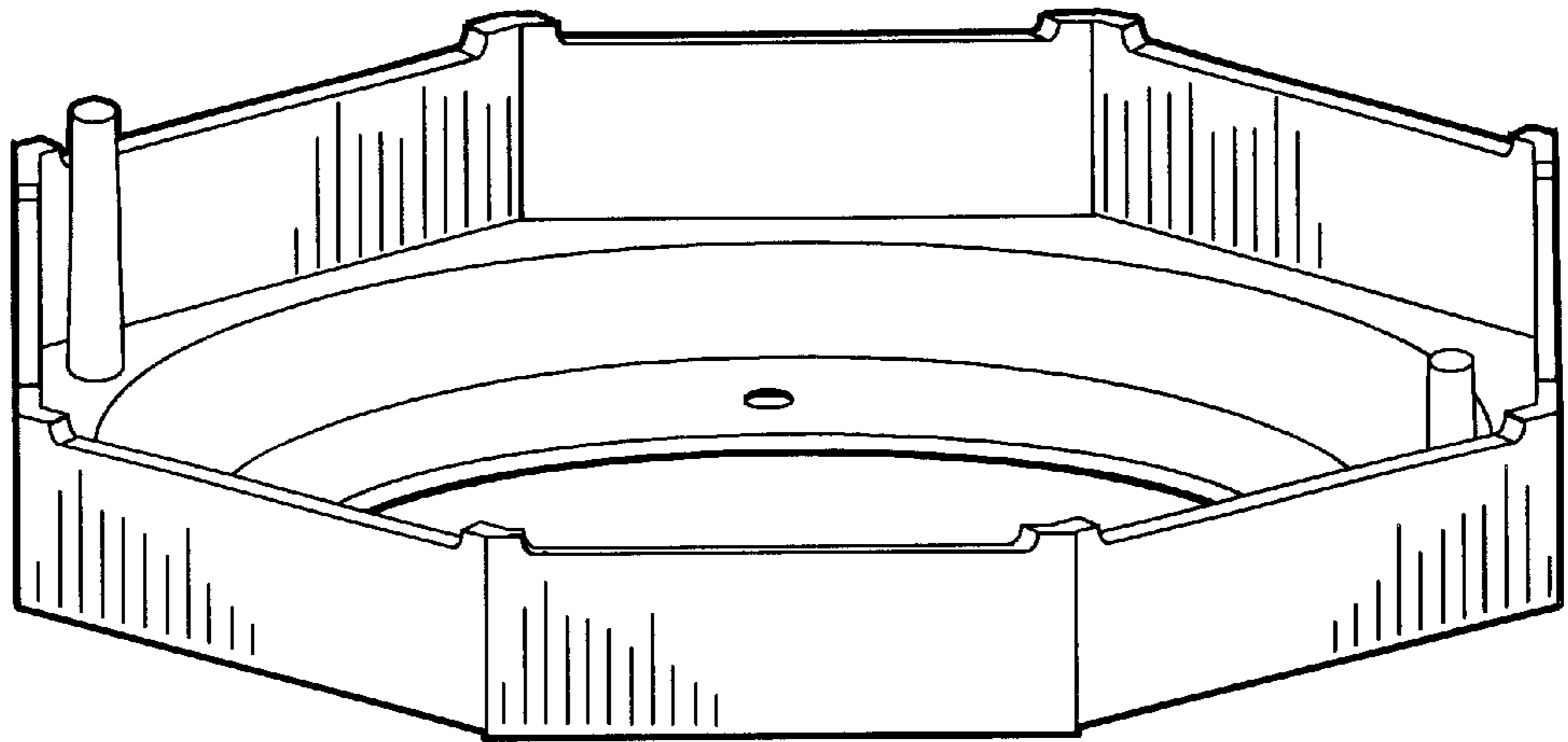


FIG. 30

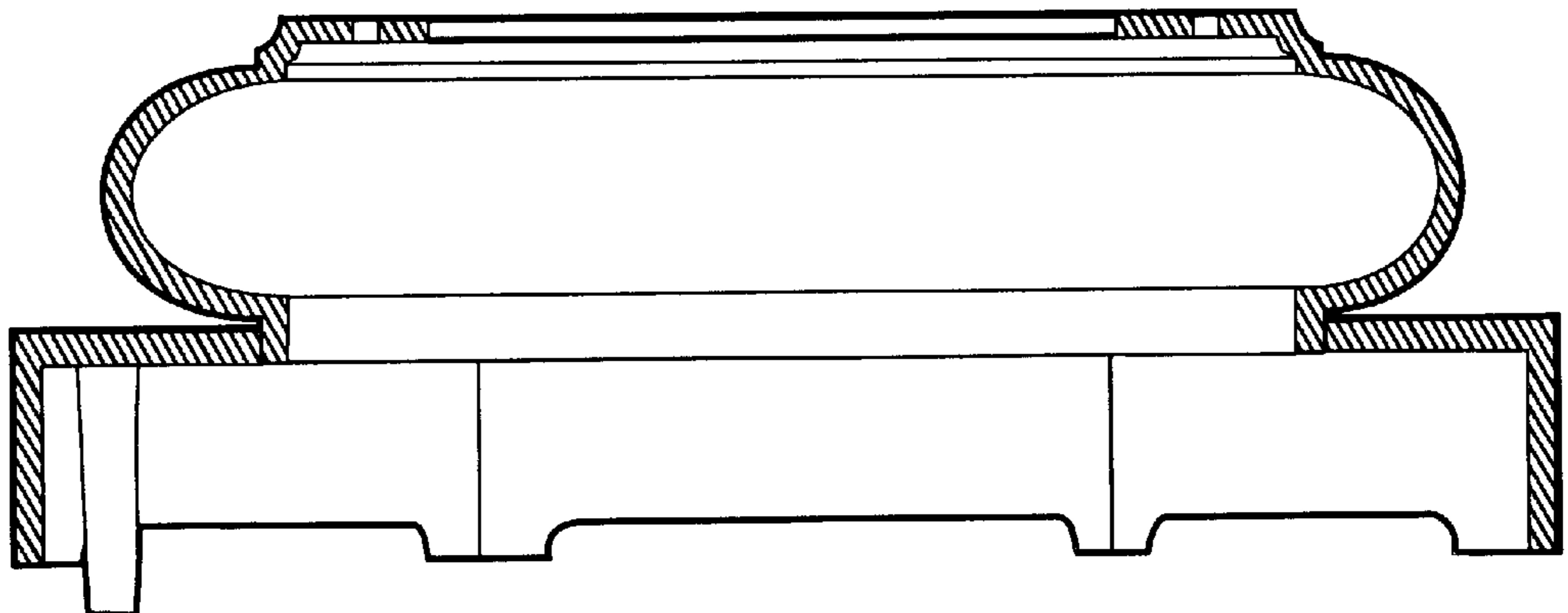


FIG. 31

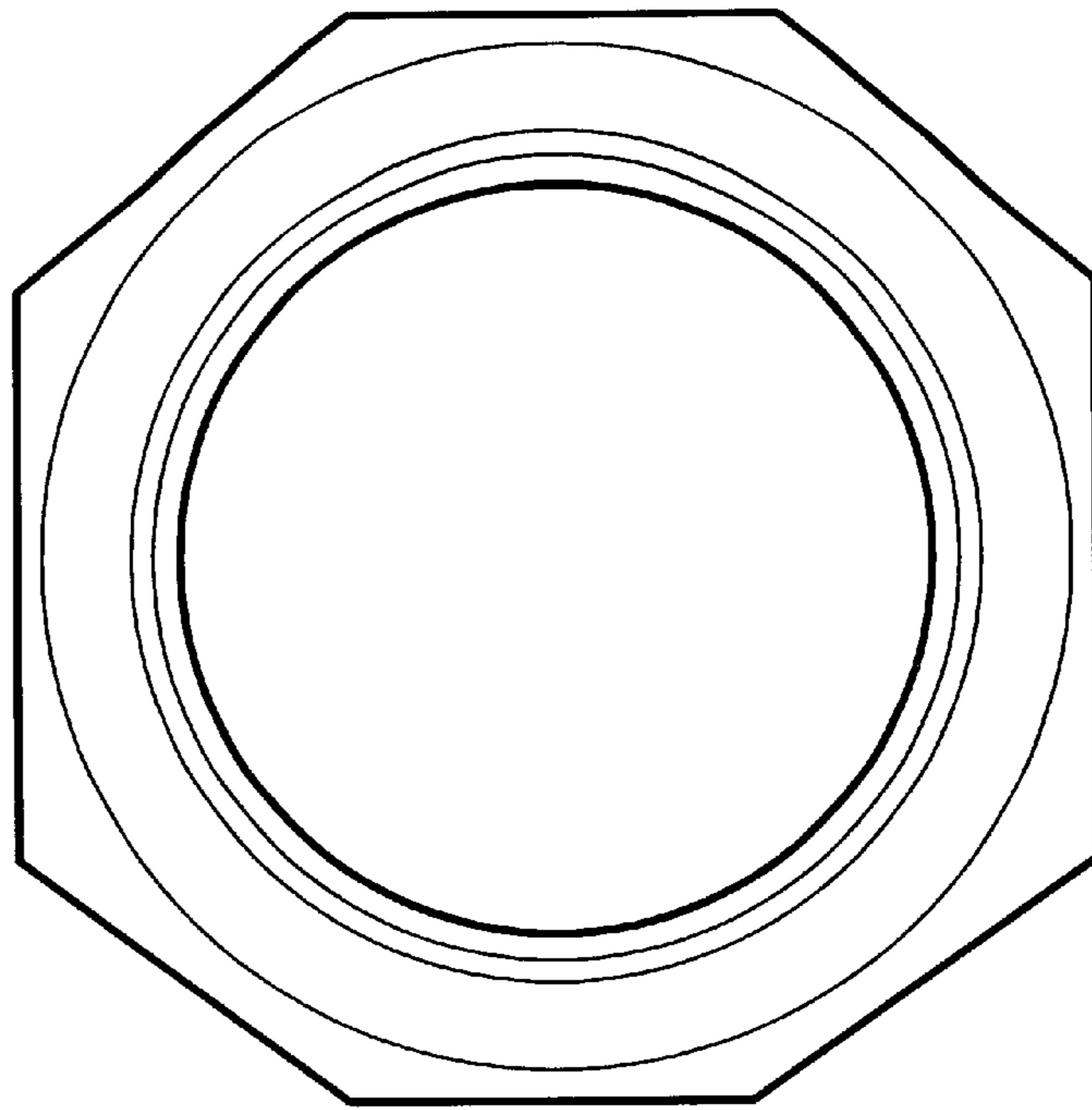


FIG. 32

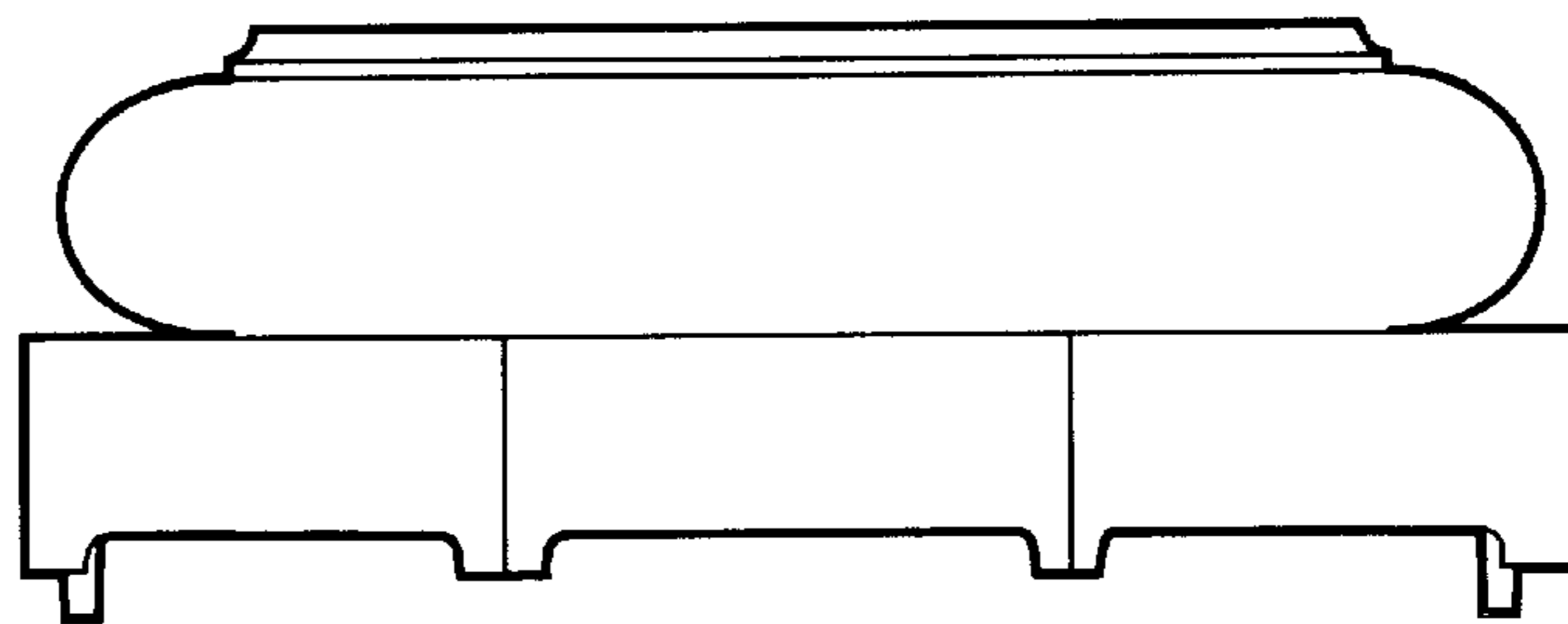


FIG. 33

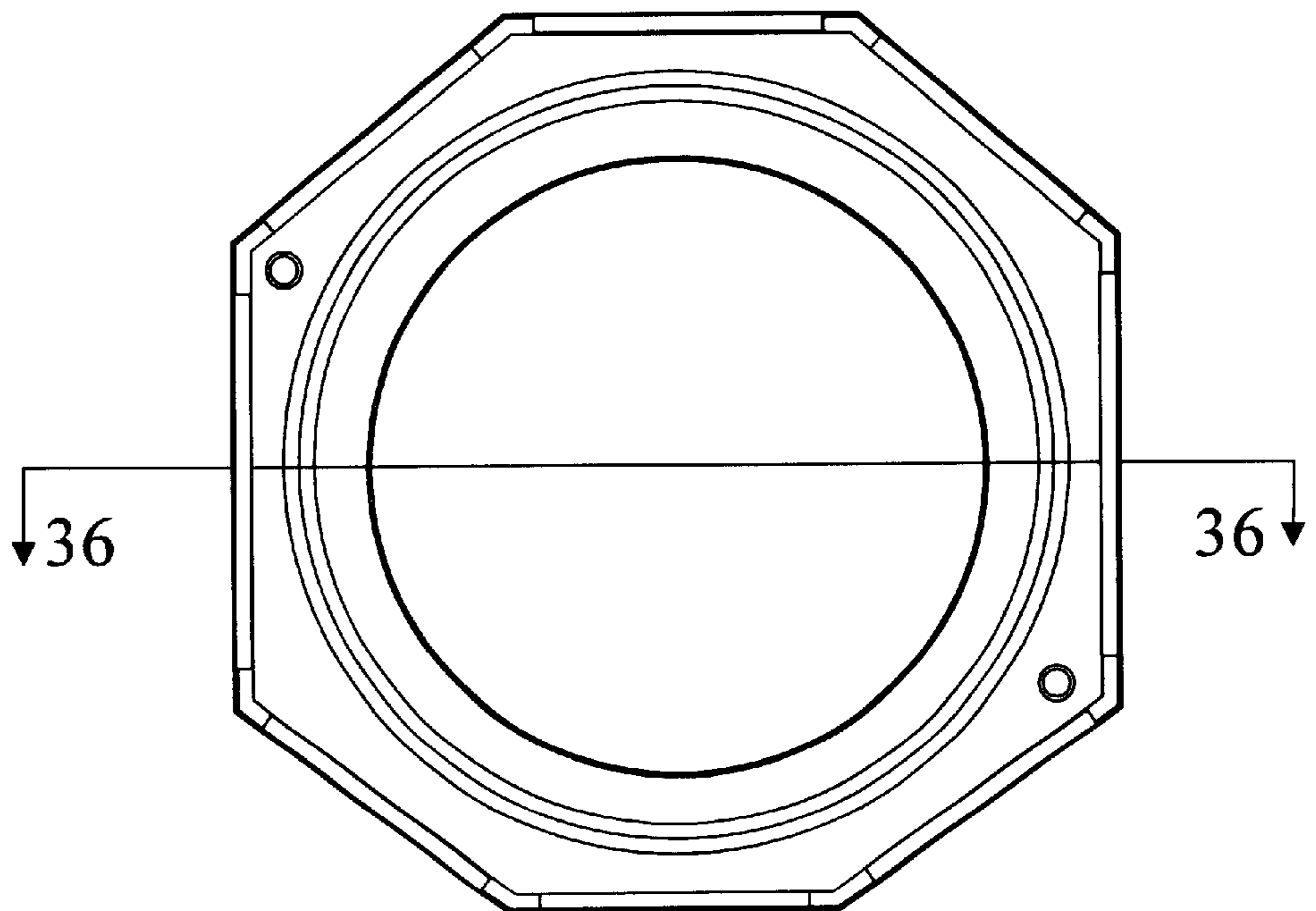


FIG. 34

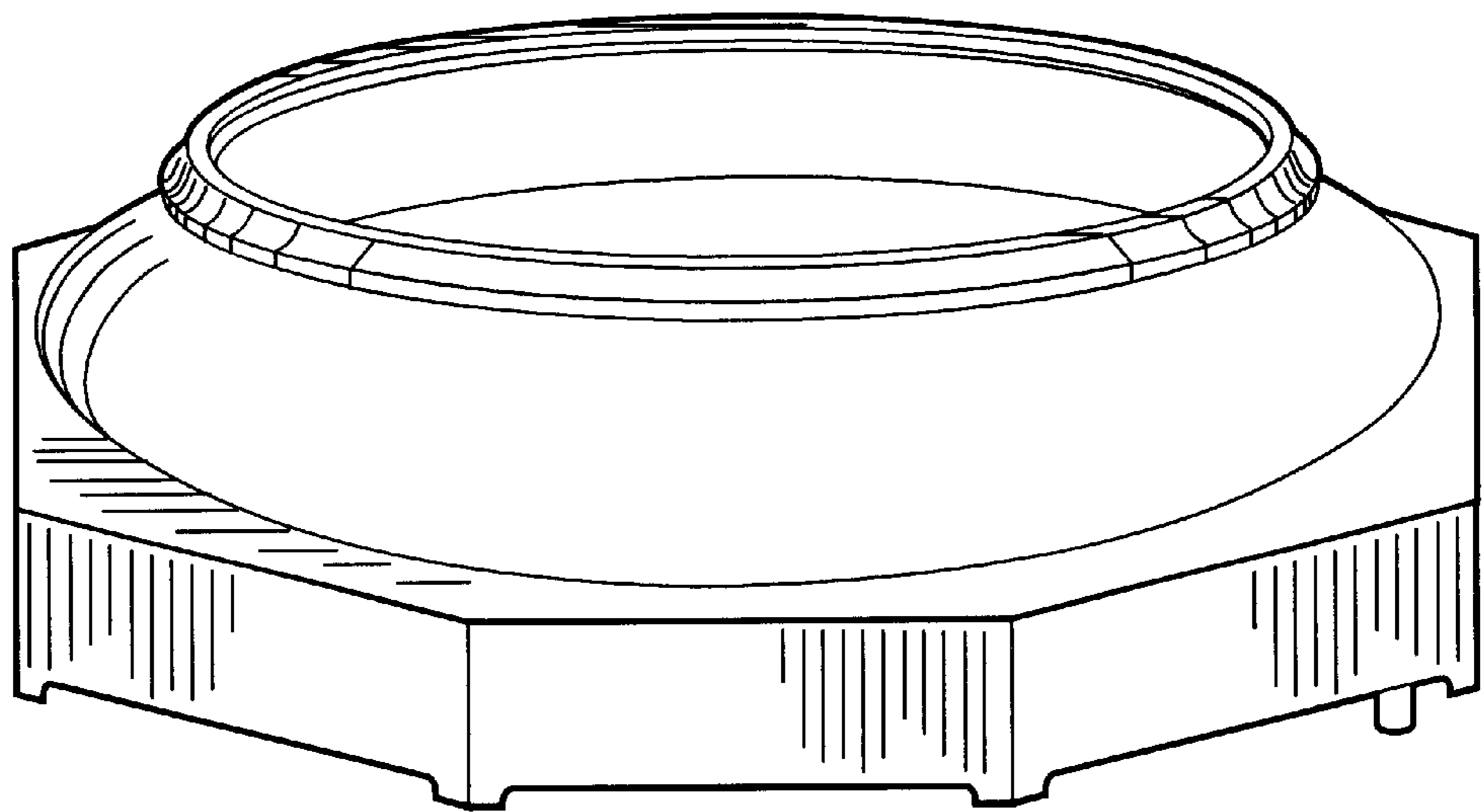


FIG. 35

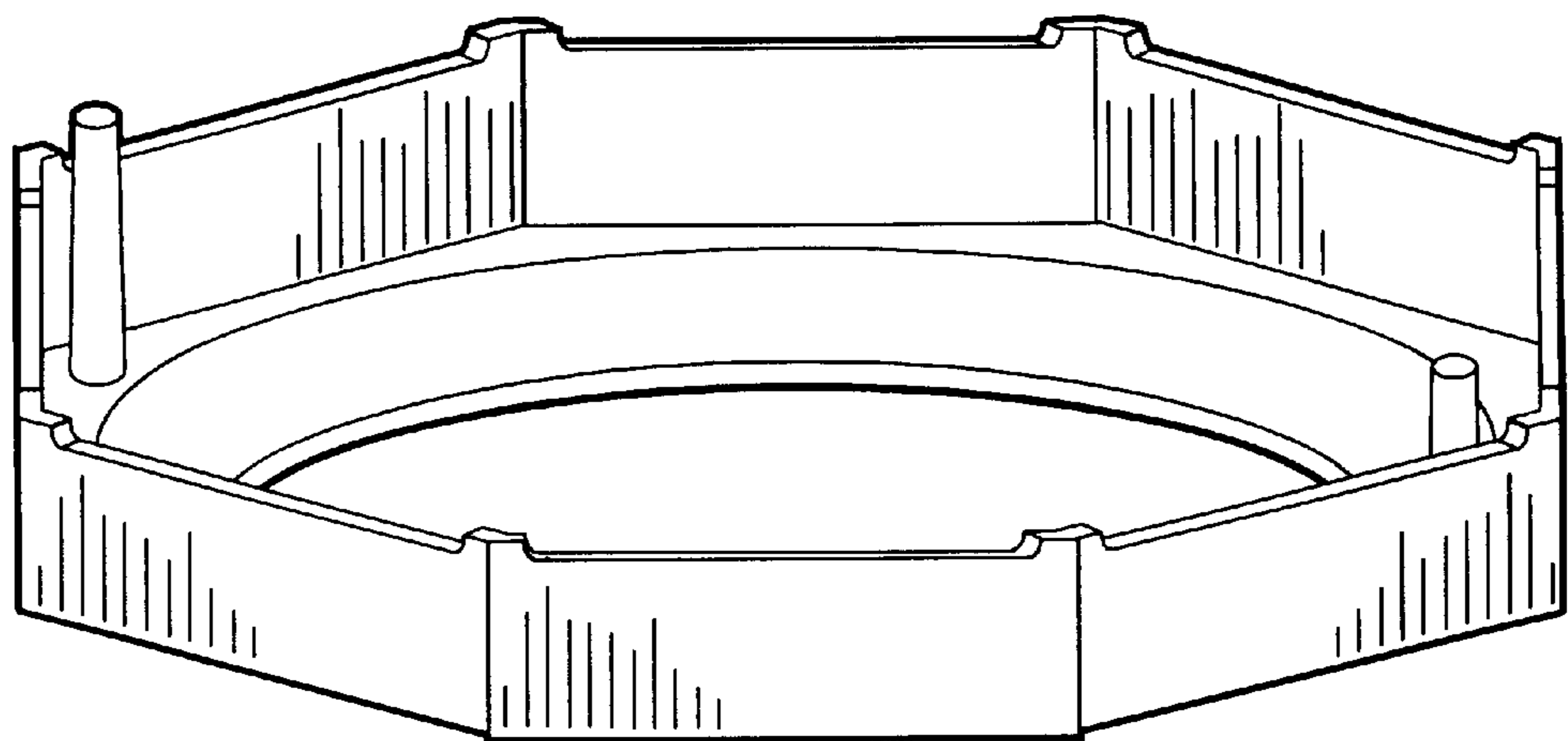


FIG. 36

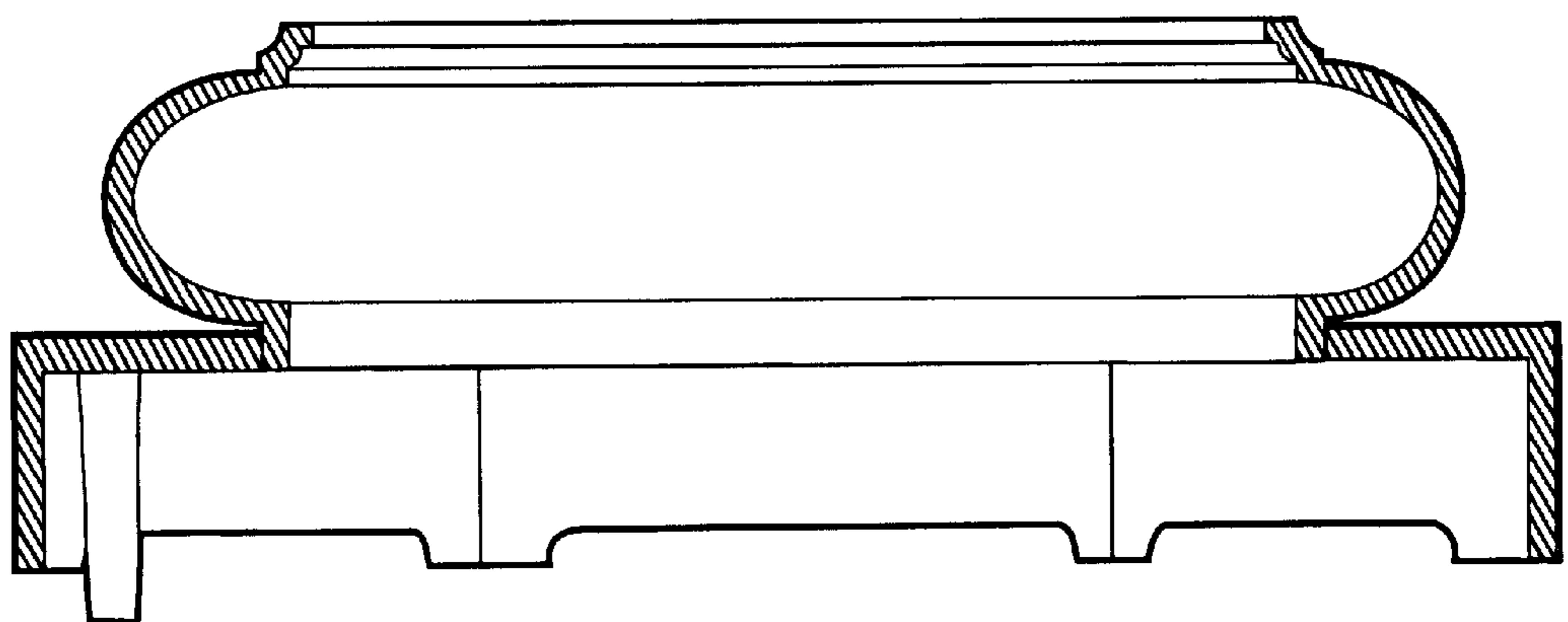


FIG. 37

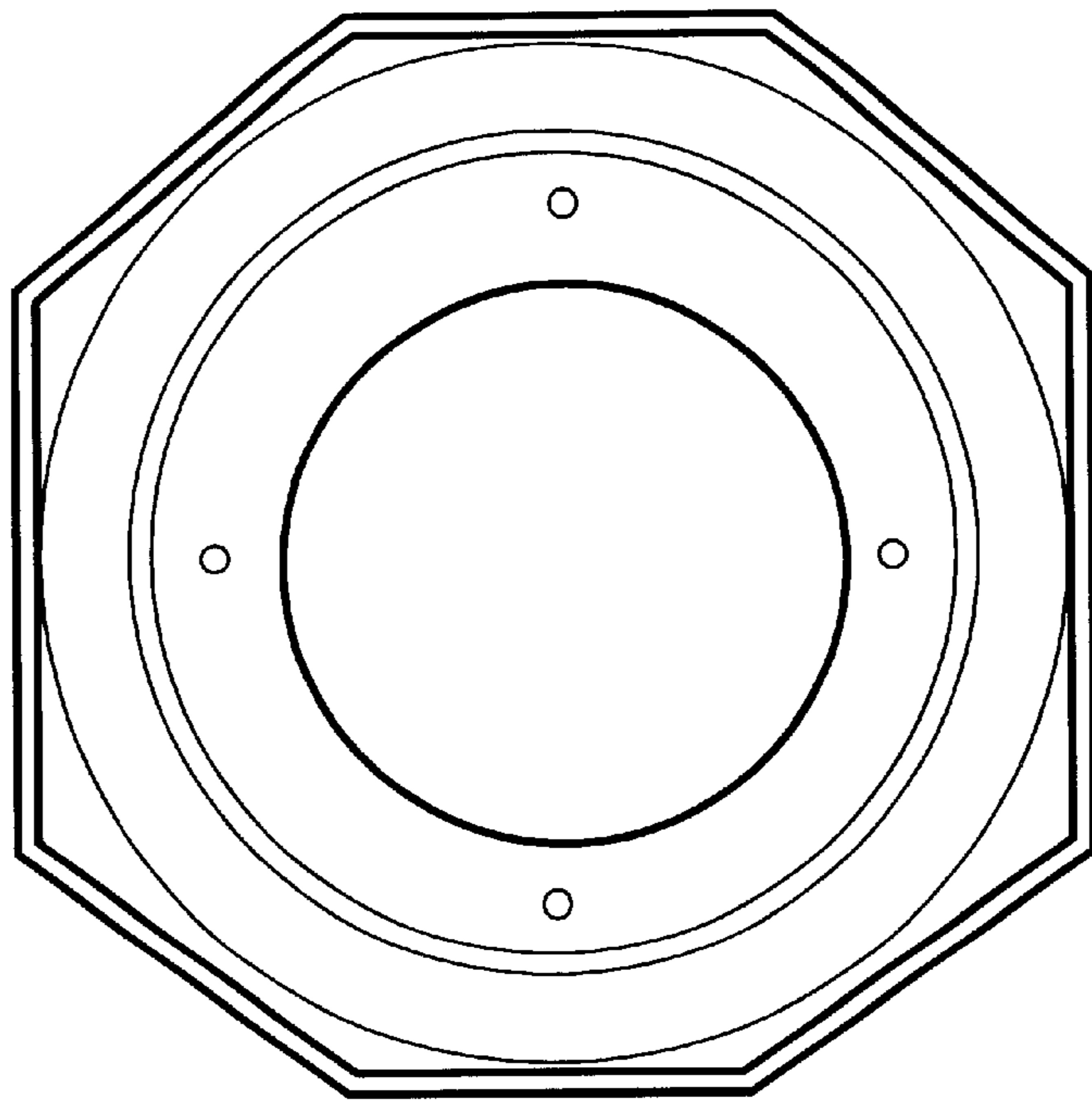


FIG. 38

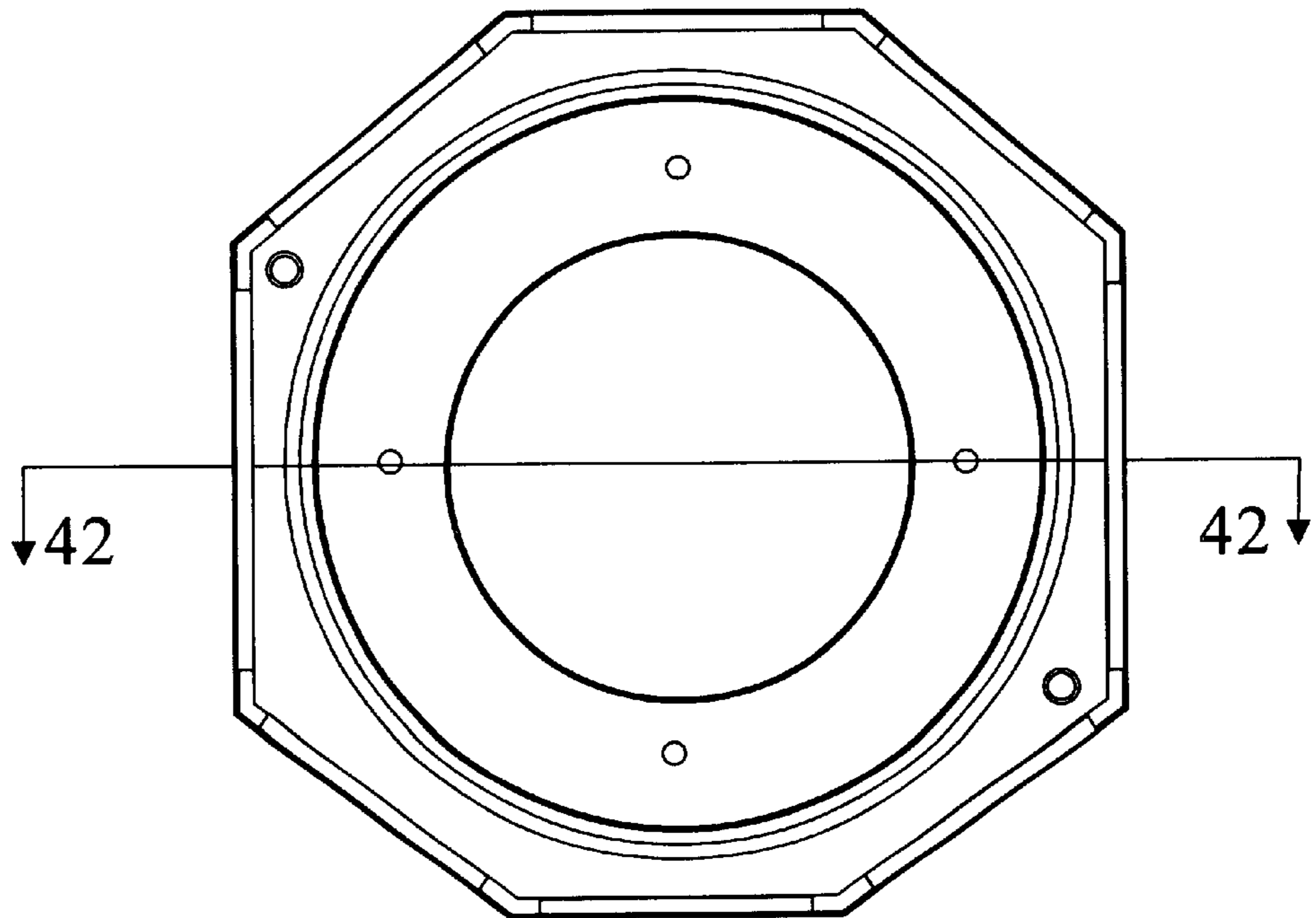
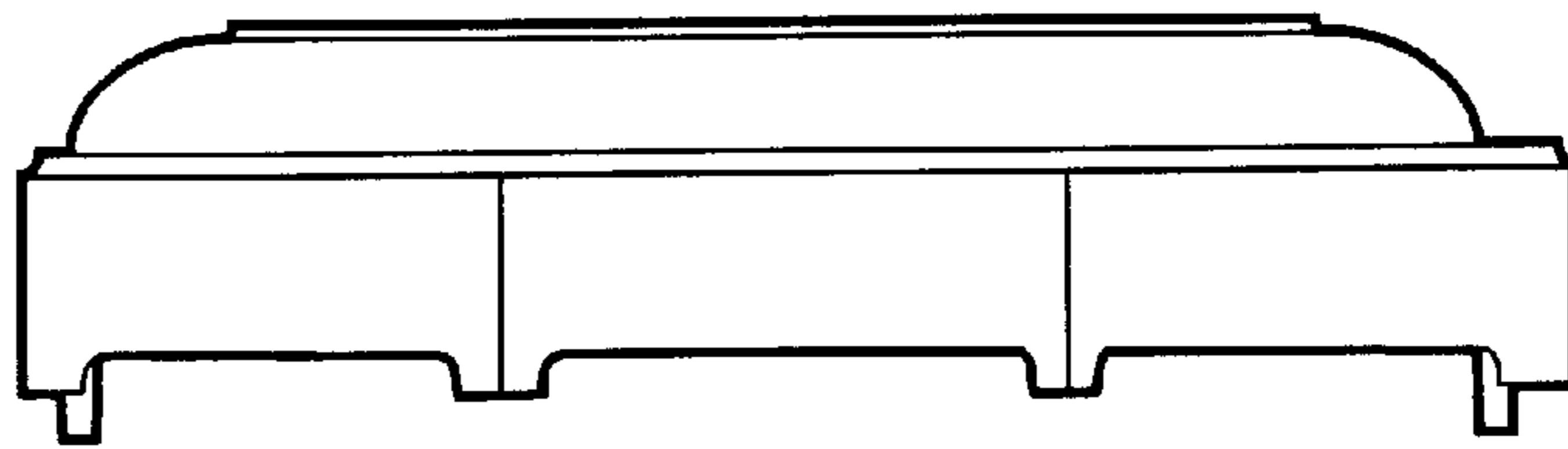


FIG. 39

FIG. 40

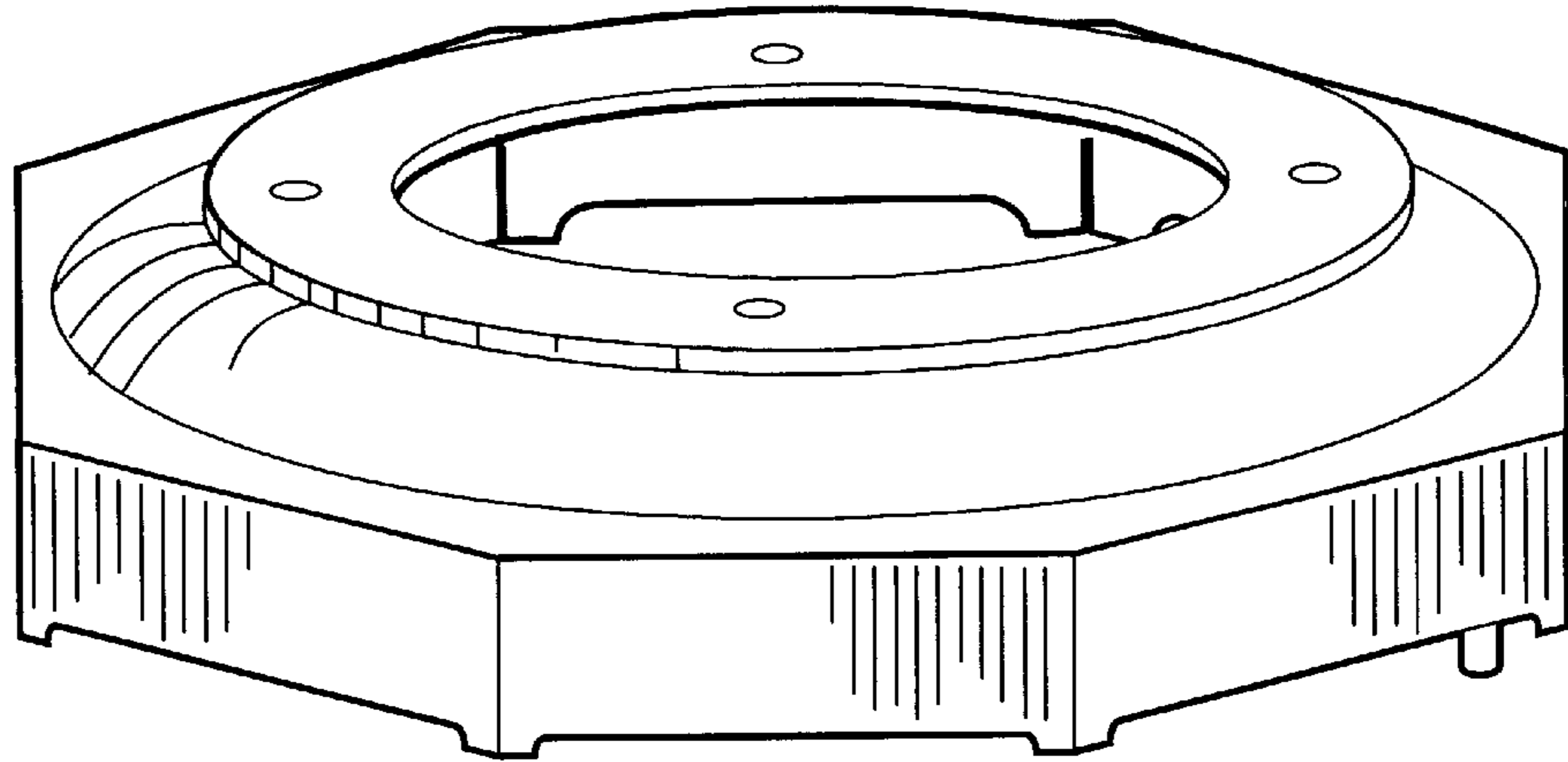


FIG. 41

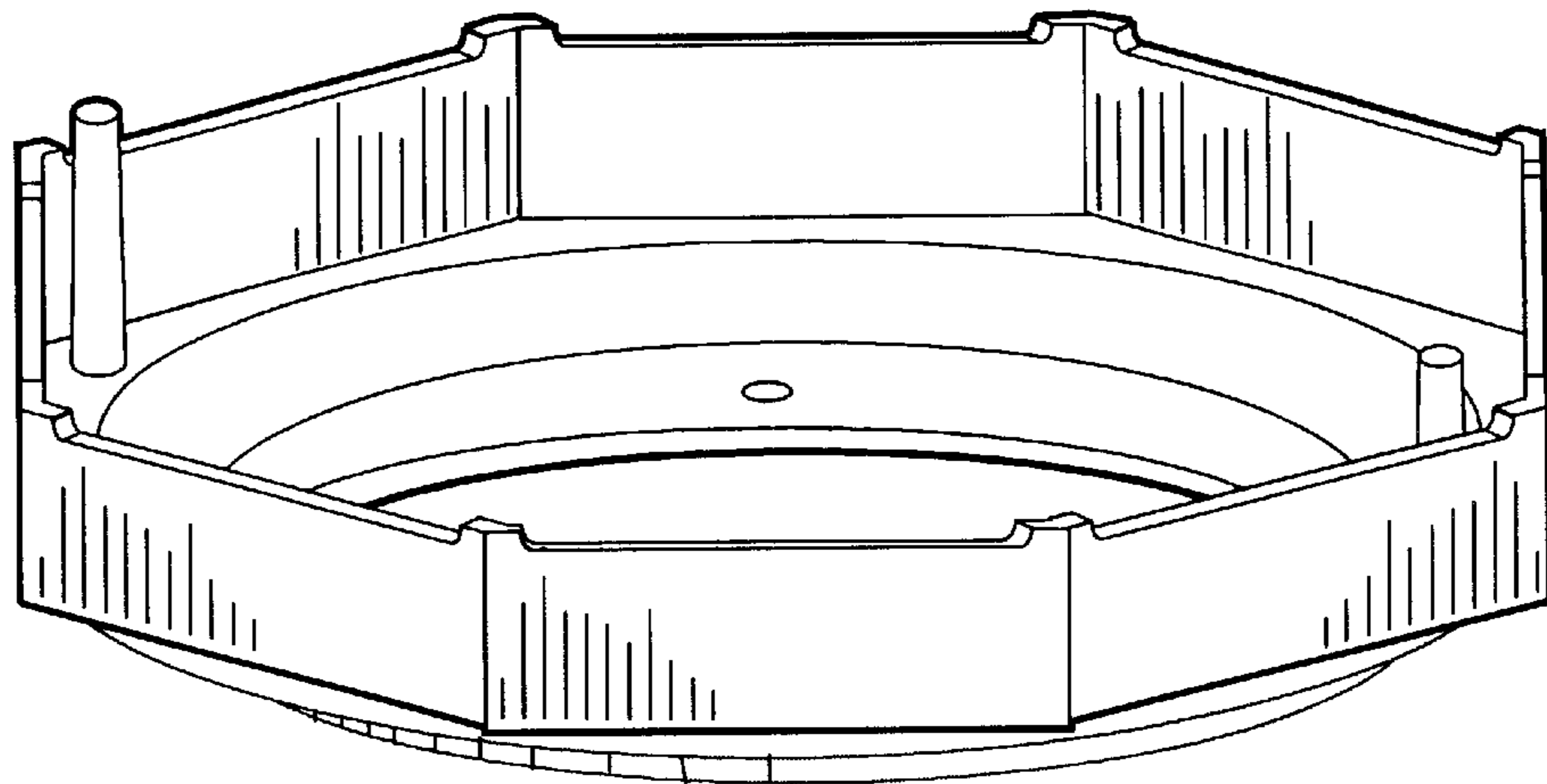


FIG. 42

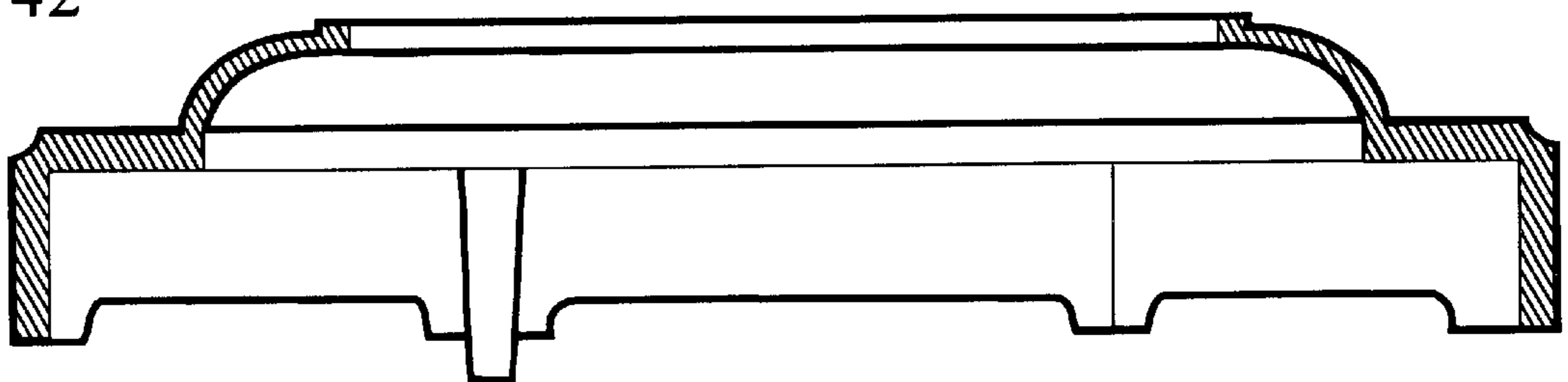




FIG. 43

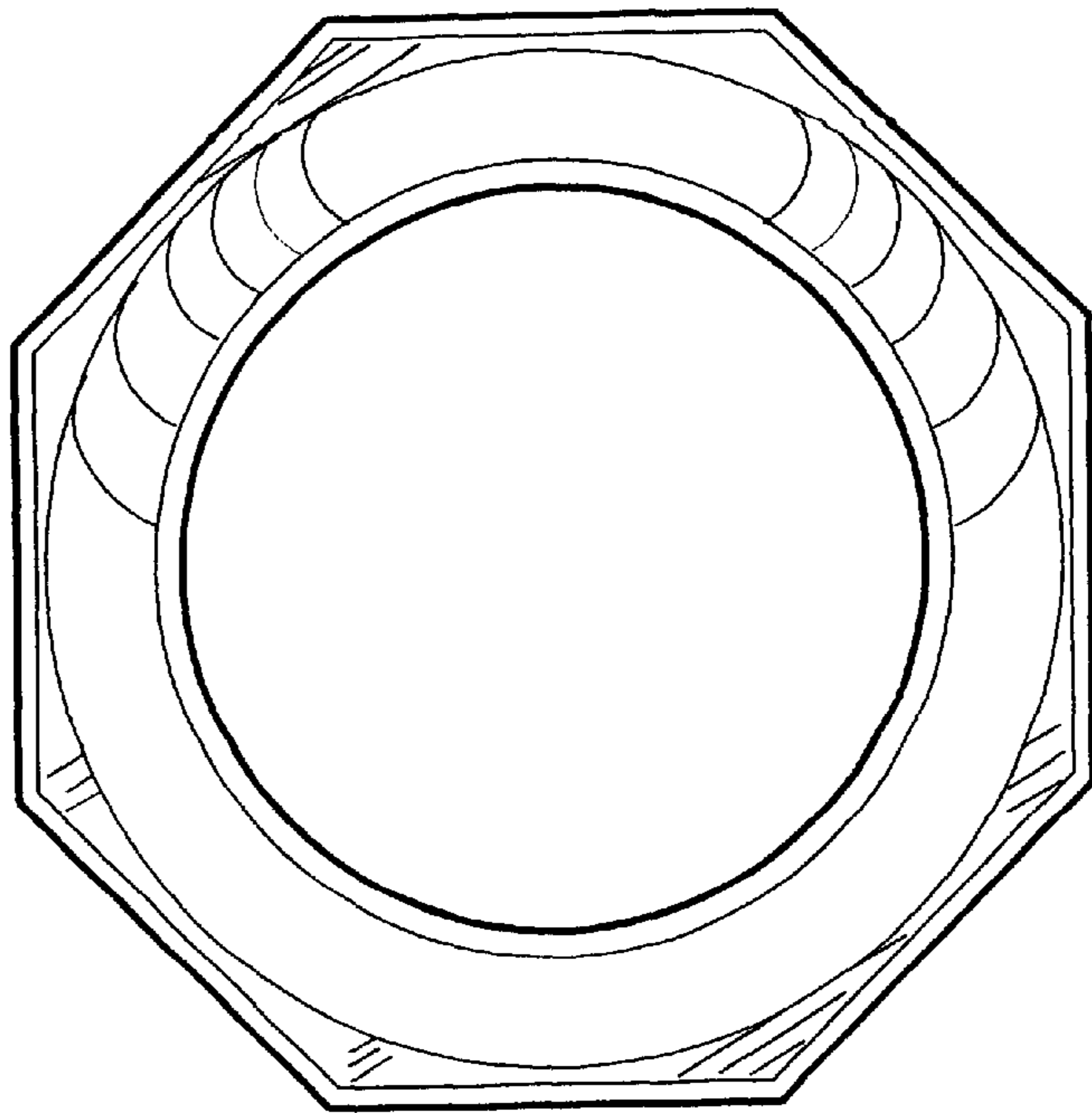


FIG. 44

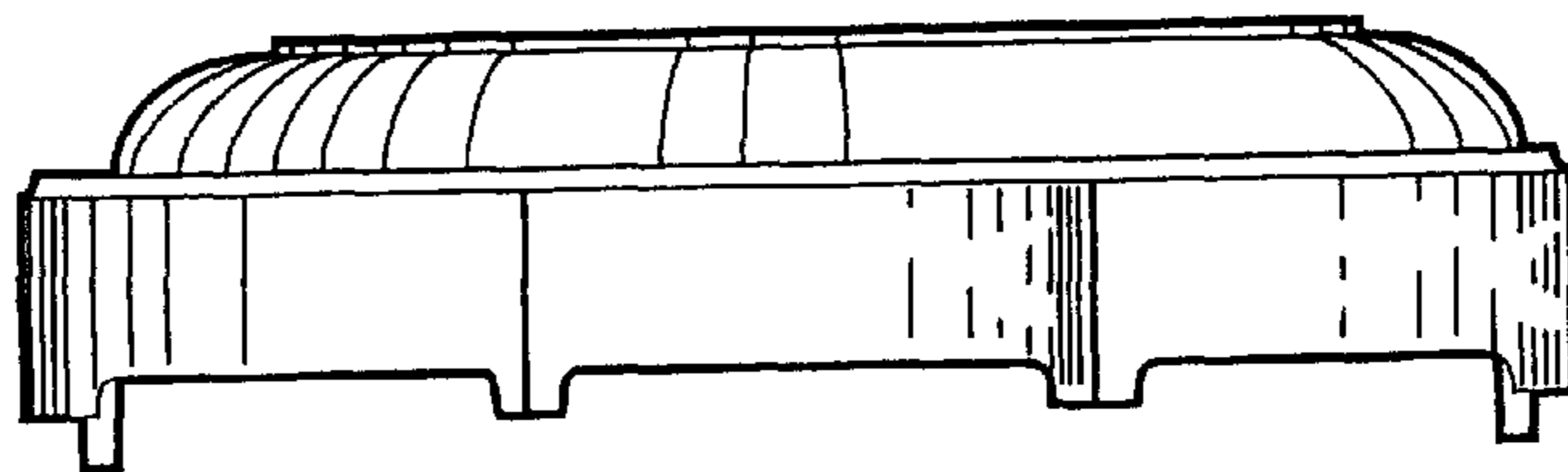


FIG. 45

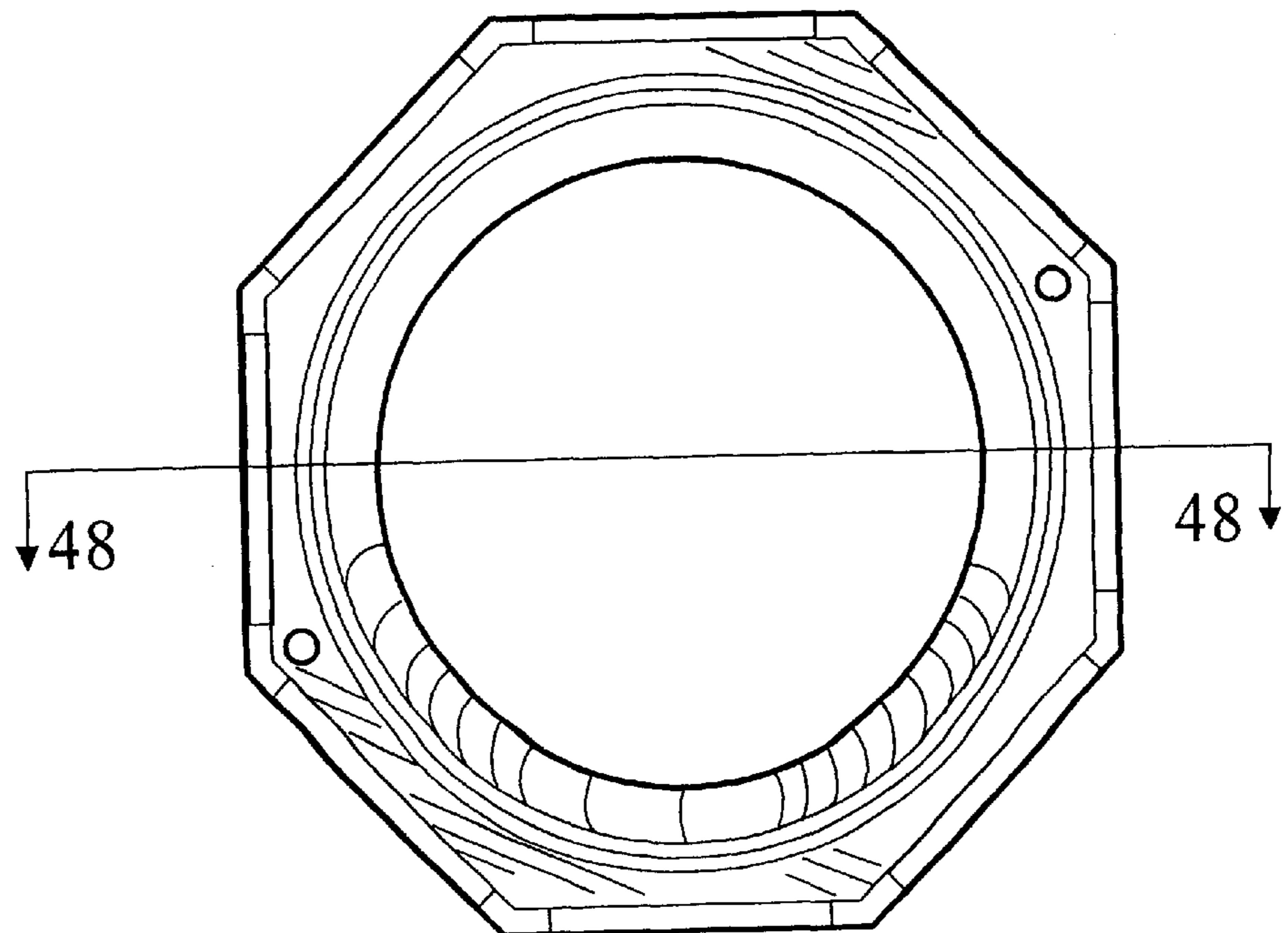


FIG. 46

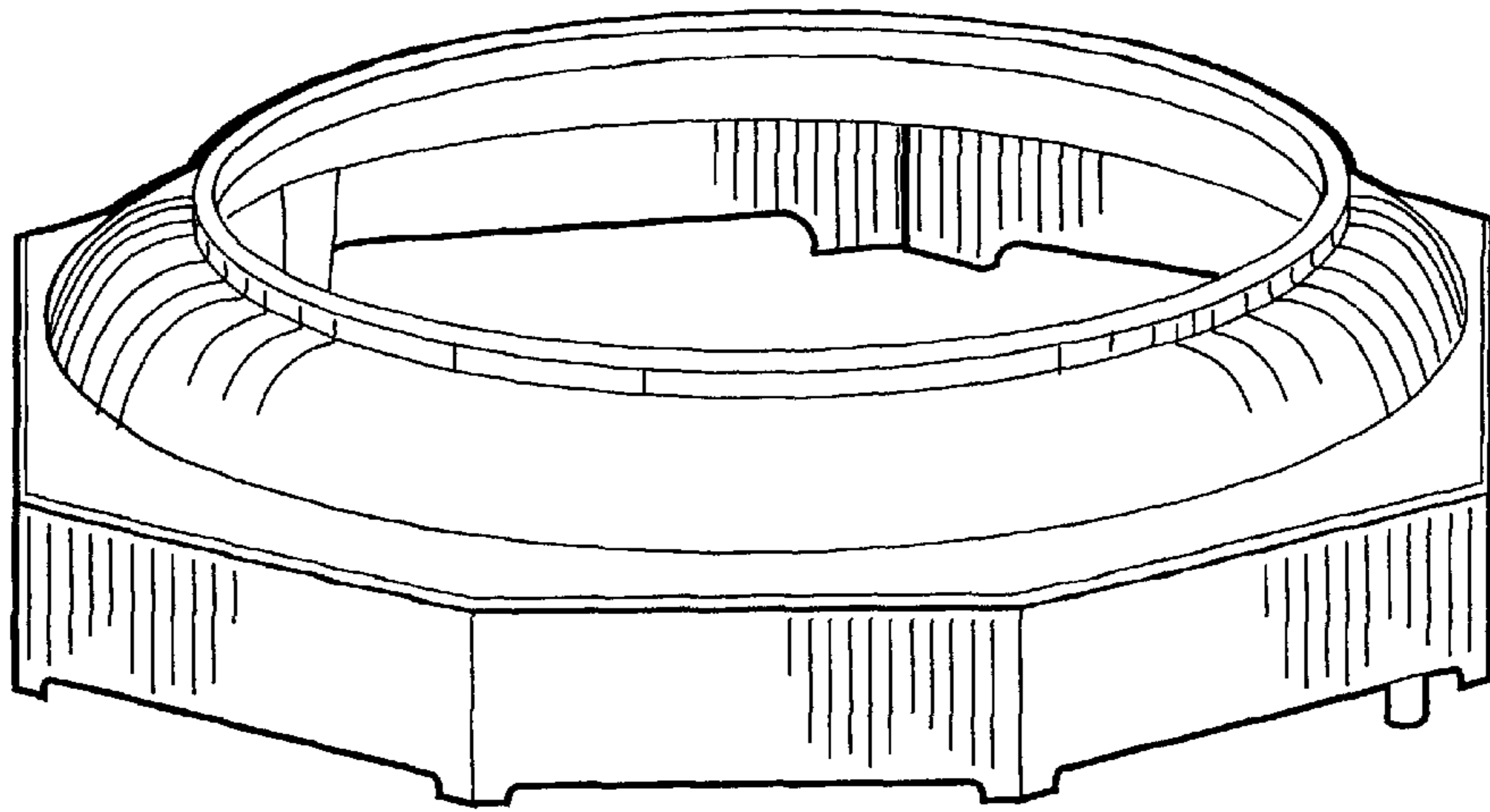


FIG. 47

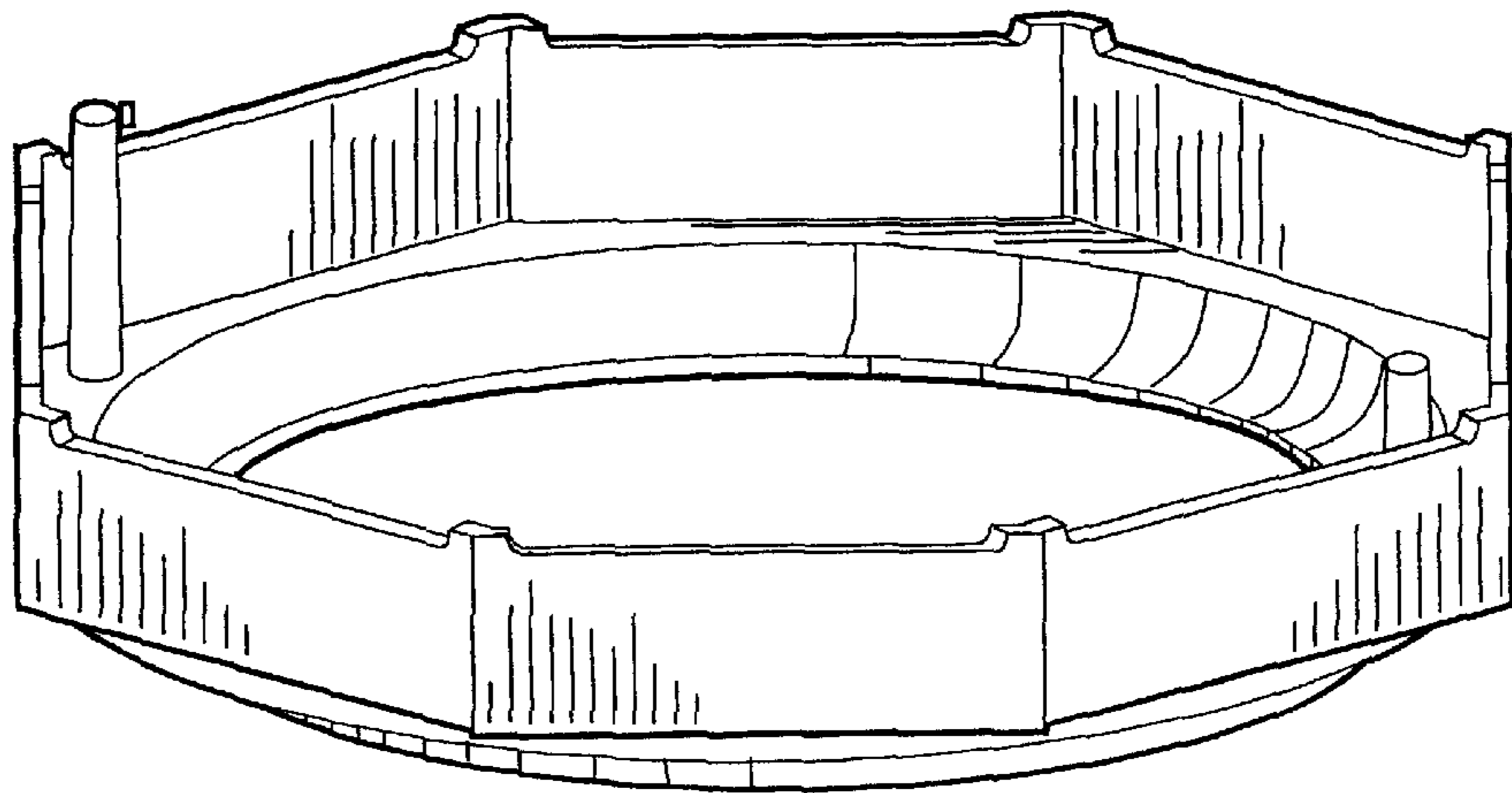


FIG. 48

