



US00D470597S

(12) **United States Design Patent**
Peterson et al.

(10) **Patent No.:** **US D470,597 S**

(45) **Date of Patent:** **** Feb. 18, 2003**

(54) **DIAGNOSTIC TEST KIT**

(75) Inventors: **Kristy Peterson**, Salt Lake City, UT (US); **Donald J. McMichael**, South Jordan, UT (US)
(73) Assignee: **Kimberly-Clark Worldwide, Inc.**, Neenah, WI (US)
(**) Term: **14 Years**

(21) Appl. No.: **29/152,423**

(22) Filed: **Dec. 17, 2001**

(51) **LOC (7) Cl.** **24-02**

(52) **U.S. Cl.** **D24/223; D24/216; D24/229**

(58) **Field of Search** D24/216, 227, D24/229, 224, 223, 226, 133, 147, 119; 422/58, 61, 102; 435/286.3, 286.1, 288.3, 288.4; 206/370, 363, 364, 366, 570, 571, 572, 369, 559, 557, 558, 563, 564, 438, 305; 09/424, 425, 441, 347, 345

(56) **References Cited**

U.S. PATENT DOCUMENTS

3,145,086 A	8/1964	Free et al.
3,395,082 A	7/1968	Mast
3,411,723 A	11/1968	Kohn
3,461,036 A	8/1969	Harvill et al.
3,873,269 A	3/1975	Krafczyk et al.
D241,803 S	10/1976	Amiot
4,016,268 A	4/1977	Goldenberg et al.
4,016,865 A	4/1977	Fredricks
4,027,658 A	6/1977	Marshall
4,101,382 A	7/1978	Chang
D249,772 S	10/1978	Amiot
4,132,502 A	1/1979	Bunke
4,160,505 A	7/1979	Rauschenberger
4,226,328 A	10/1980	Beddon
4,282,316 A	8/1981	Modrovich
4,293,074 A	10/1981	Dunsky
D266,434 S	10/1982	Kowalski
D271,370 S	11/1983	San Antonio
4,620,548 A	11/1986	Hasselbrack
D288,716 S	3/1987	Covell et al.

(List continued on next page.)

FOREIGN PATENT DOCUMENTS

EP	0018825	2/1985
EP	0365459 A1	4/1990
EP	0606651 A2	7/1994
EP	0721898 A1	7/1996
FR	2442268	7/1980
GB	1112251	5/1968
GB	1478742	7/1977
GB	2037811	7/1980
WO	89/09407	10/1989
WO	94/22380	10/1994
WO	98/54563	12/1998
WO	99/02101	1/1999
WO	99/25251	5/1999
WO	99/51769	10/1999
WO	99/61892	12/1999

OTHER PUBLICATIONS

Patent Abstracts of Japan, 58077663 A, Kyoto Daiichi Kagaku:KK, May 11, 1983.

Derwent WPI, Abstract for FR 2442268A, Orion Yhtymae Oy (Orin), Jul. 25, 1980.

(List continued on next page.)

Primary Examiner—Ian Simmons

(74) *Attorney, Agent, or Firm*—William W. Letson

(57) **CLAIM**

We claim the ornamental design for a diagnostic test kit, as shown and described.

DESCRIPTION

FIG. 1 is an end view of the diagnostic test kit of the present invention.

FIG. 2 is a top plan view of the diagnostic test kit of the present invention.

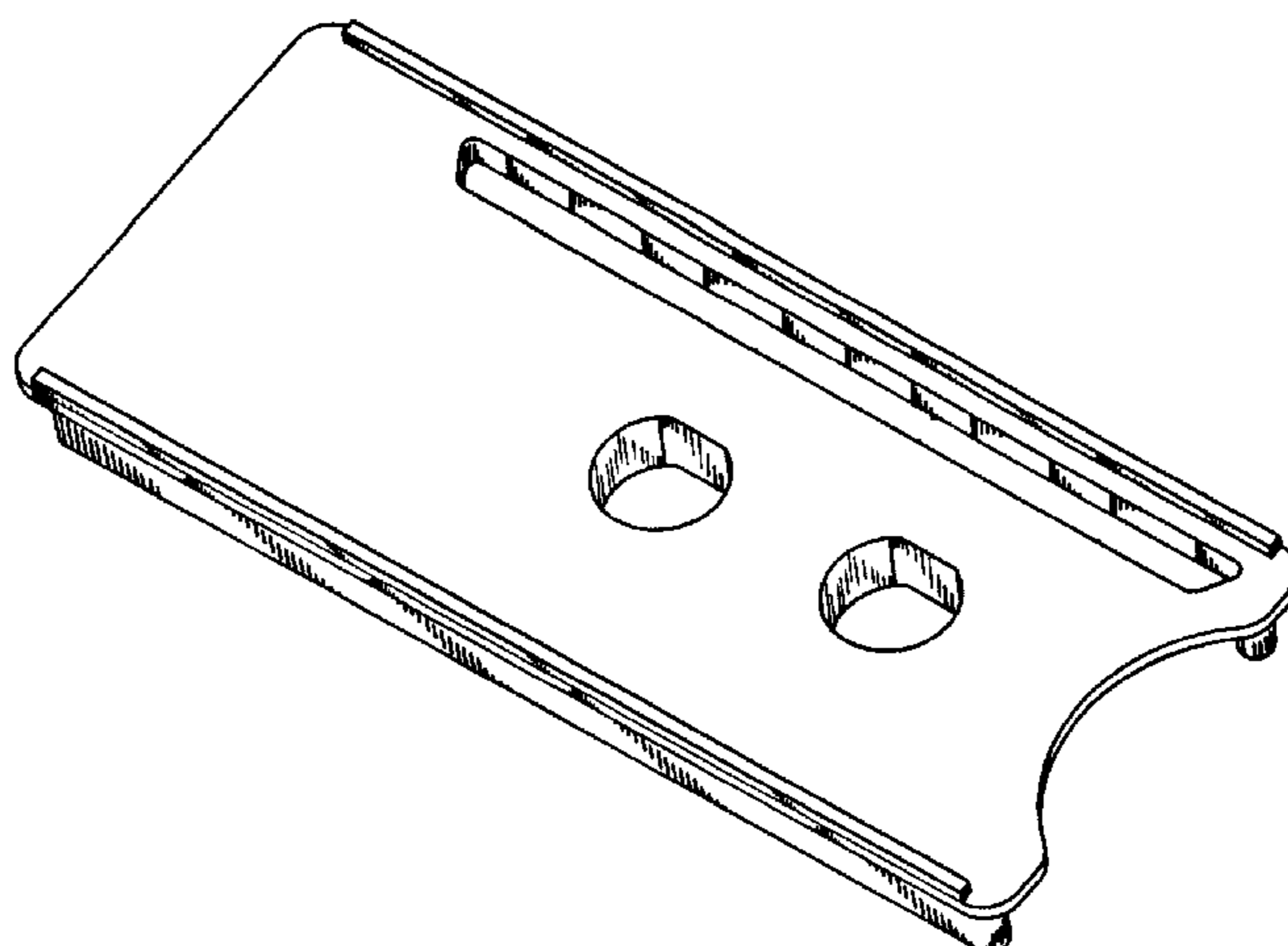
FIG. 3 is a side elevational view of an elongated side of the diagnostic test kit of the present invention, where both elongated sides are identical.

FIG. 4 is another end view of the diagnostic test kit of the present invention.

FIG. 5 is a perspective view of the diagnostic test kit of the present invention; and,

FIG. 6 is another perspective view of the diagnostic test kit of the present invention.

1 Claim, 3 Drawing Sheets



U.S. PATENT DOCUMENTS

4,736,850 A * 4/1988 Bowman et al. 206/370
 4,748,113 A 5/1988 Marshall
 4,777,947 A 10/1988 Zwick
 4,803,983 A 2/1989 Siegel
 4,830,010 A 5/1989 Marshall
 4,923,801 A 5/1990 Marshall et al.
 4,932,957 A 6/1990 Zwick
 4,955,971 A 9/1990 Goulter
 5,116,346 A 5/1992 Yeh
 D327,322 S 6/1992 Brewer, Jr.
 D328,347 S 7/1992 Santora
 5,149,506 A 9/1992 Skiba et al.
 5,182,191 A 1/1993 Fan et al.
 5,228,201 A 7/1993 Atkins
 5,256,684 A 10/1993 Marshall
 5,258,178 A 11/1993 Cordle et al.
 5,304,540 A 4/1994 Blackburn et al.
 5,314,804 A 5/1994 Boguslaski et al.
 5,348,023 A 9/1994 McLucas
 5,380,492 A 1/1995 Seymour
 5,420,016 A 5/1995 Boguslaski et al.
 5,431,884 A 7/1995 McDonough et al.
 5,439,801 A 8/1995 Jackson
 5,449,071 A 9/1995 Levy
 5,479,019 A 12/1995 Gross
 5,494,162 A 2/1996 Treace et al.
 5,501,597 A 3/1996 Wilson
 D368,520 S 4/1996 Brewer, Jr.
 5,593,851 A 1/1997 Jackson
 5,601,848 A 2/1997 Marshall
 5,624,554 A 4/1997 Faulkner et al.
 5,668,011 A 9/1997 Jackson
 5,682,665 A 11/1997 Svanberg
 5,702,911 A 12/1997 Whalen
 5,709,838 A 1/1998 Porter et al.
 D390,659 S 2/1998 Chan et al.
 5,722,422 A 3/1998 Palmer et al.
 D393,312 S 4/1998 Huttner
 5,738,110 A 4/1998 Beal et al.
 5,846,751 A 12/1998 Pronovost et al.
 5,854,013 A 12/1998 Ollar et al.
 D415,275 S 10/1999 Huttner
 5,989,840 A 11/1999 D'Angelo et al.
 D420,133 S 2/2000 Huttner
 D423,669 S 4/2000 Huttner et al.
 6,048,735 A 4/2000 Hessel et al.
 6,039,959 A 5/2000 Burnie
 6,060,241 A 5/2000 Corthésy-Theulaz
 6,068,985 A 5/2000 Cripps et al.
 D428,489 S 7/2000 Huttner et al.
 D428,991 S 8/2000 Fourie et al.
 6,113,875 A 9/2000 Nyström et al.
 D435,293 S 12/2000 Tang
 6,156,346 A 12/2000 Chen et al.
 6,165,736 A 12/2000 Fawcett
 6,171,811 B1 1/2001 Becerro De Bengoa Vallejo

6,172,215 B1 1/2001 Keshi et al.
 6,187,556 B1 2/2001 Lee et al.
 D438,979 S 3/2001 Gomes et al.
 D445,503 S 7/2001 Huttner
 D447,237 S 8/2001 Huttner et al.
 6,291,234 B1 9/2001 Raz et al.

OTHER PUBLICATIONS

U.S. patent application Ser. No. 09/977,555, Marshall et al., filed Oct. 15, 2001, Method for the Detection of Urease and Method for using Same.
 U.S. patent application Ser. No. 09/977,556, Marshall et al., filed Oct. 15, 2001, System for the Detection of Urease and Method for using Same.
 U.S. patent application Ser. No. 10/026,321, Marshall et al., filed Dec. 20, 2001, Gel-based media For transfer Slides, methods Of producing and Using same.
 U.S. patent application Ser. No. 09/977,874, Marshall et al., filed Oct. 15, 2001, Composition for The detection of Gastrointestinal Disorders.
 U.S. patent application Ser. No. 09/977,546, Marshall et al., filed Oct. 15, 2001, Systems for Performing Multiple Diagnostic tests.
 U.S. patent application Ser. No. 09/977539, McMichael et al., filed Oct. 15, 2001, Methods for Performing Multiple Diagnostic tests.
 U.S. patent application Ser. No. 09/977547, Peterson et al., filed Oct. 15, 2001, Systems for Diagnostic Testing.
 U.S. patent application Ser. No. 29/149,654, McMichael et al., filed Oct. 15, 2001, Diagnostic test Carrier.
 U.S. patent application Ser. No. 29/149,656, McMichael et al., filed Oct. 15, 2001, Specimen-Handling tool.
 U.S. patent application Ser. No. 09/977,667, Marshall et al., filed Oct. 15, 2001, Diagnostic Testing system And method for Detecting Helicobacter Pylori.
 U.S. patent application Ser. No. 10/026,200, Peterson et al., filed Dec. 21, 2001, Corrier and Specimen-Handling tool For use in Diagnostic Testing.
 U.S. patent application Ser. No. 29/152,428, Peterson et al., filed Dec. 17, 2001, Diagnostic test Kit with Specimen-Handling tool.
 U.S. patent application Ser. No. 29/152,422, Peterson et al., filed Dec. 17, 2001, Two-well Diagnostic test Kit with Specimen-Handling tool.
 U.S. patent application Ser. No. 29/152,444, McMichael et al., filed Dec. 17, 2001, Specimen-Handling tool.
 U.S. patent application Ser. No. 29/152,429, McMichael et al., filed Dec. 17, 2001, Test ket Specimen-Handling tool.
 U.S. patent application Ser. No. 29/152,430, McMichael et al., filed Dec. 17, 2001, Tool for Handling a Specimen.
 Abstract EP 0721898 A1, Neumeyer E S, Jul. 17,1996.

* cited by examiner

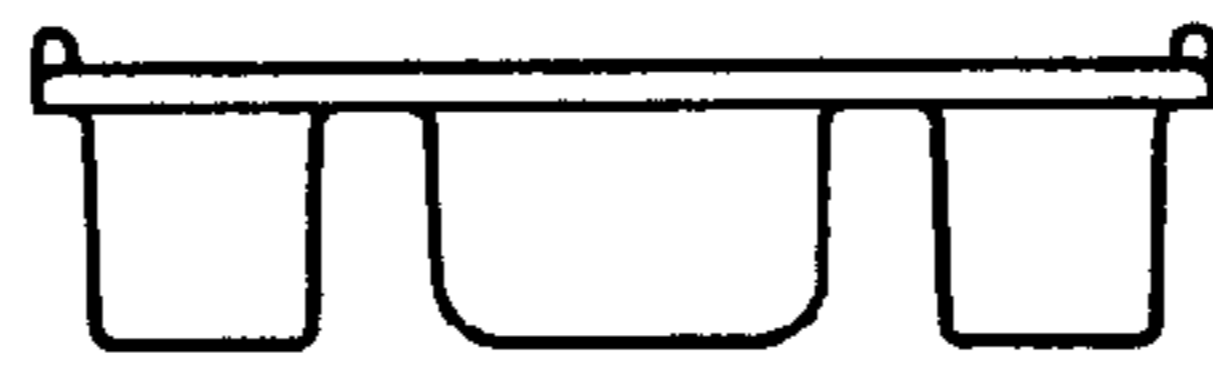


FIG. 1

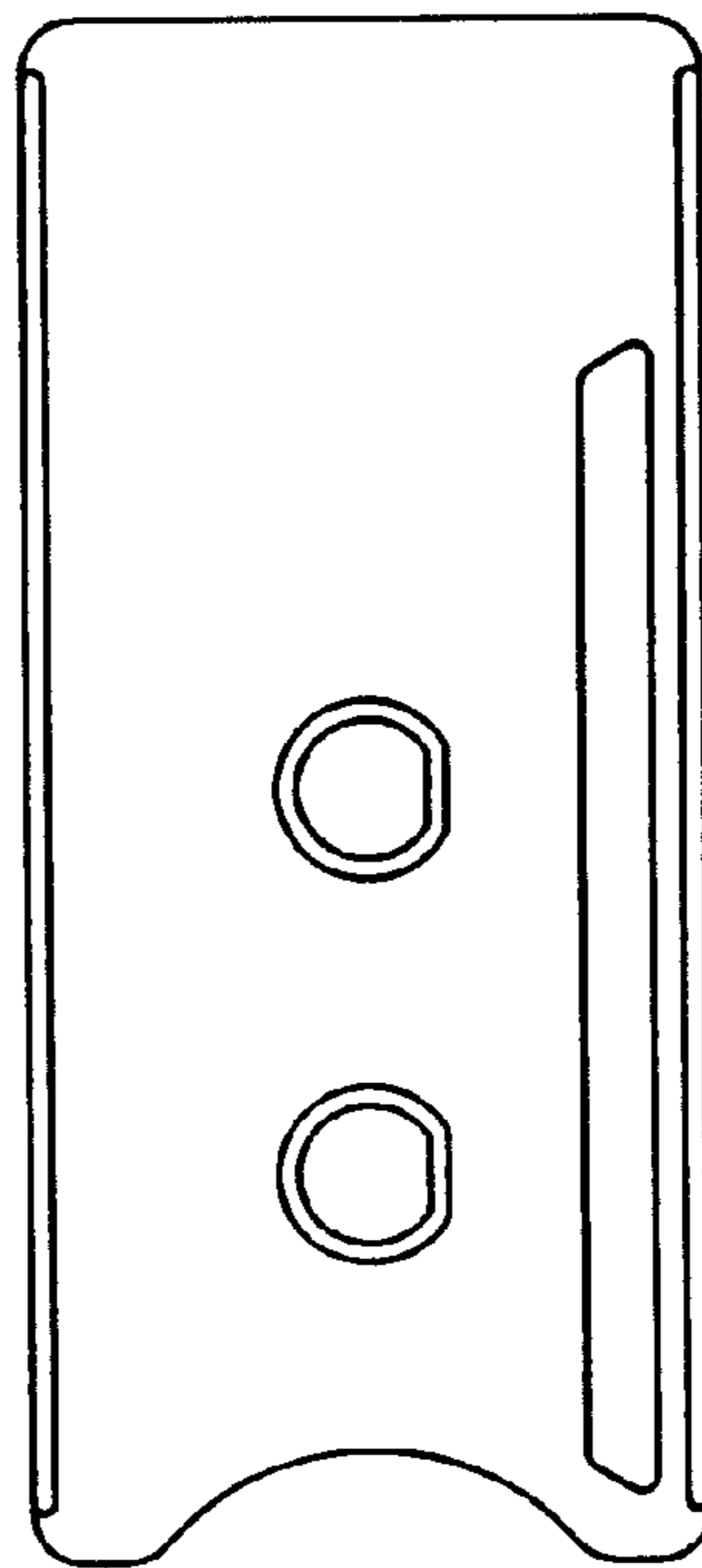


FIG. 2

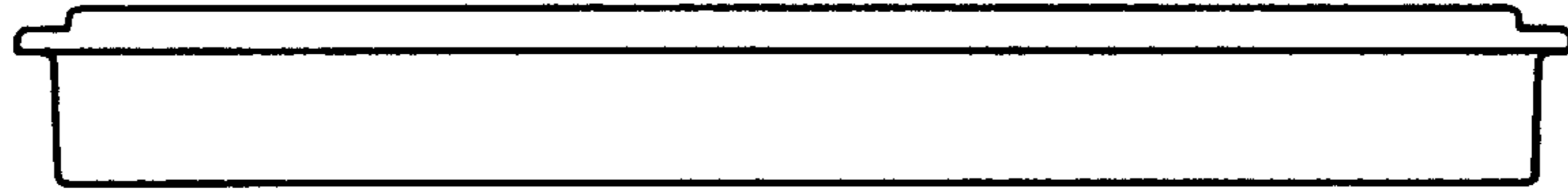


FIG. 3

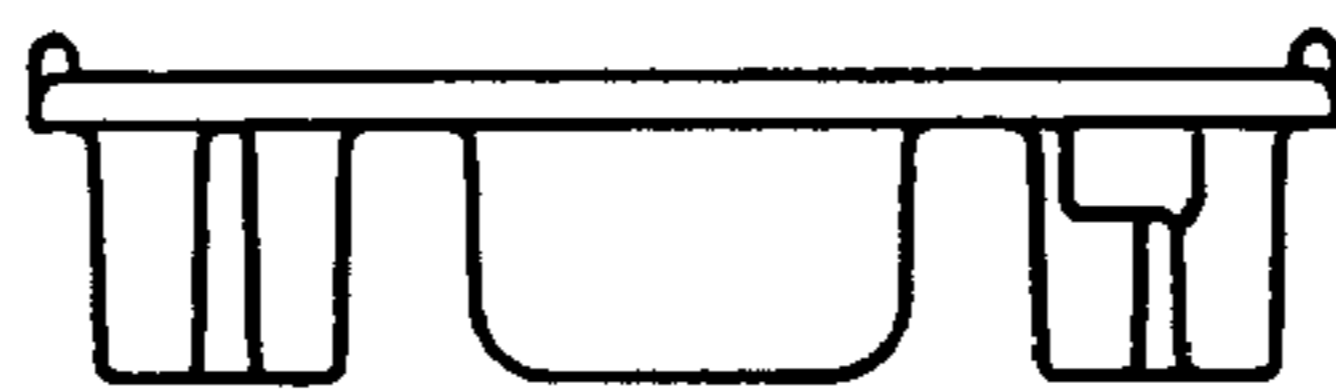


FIG. 4

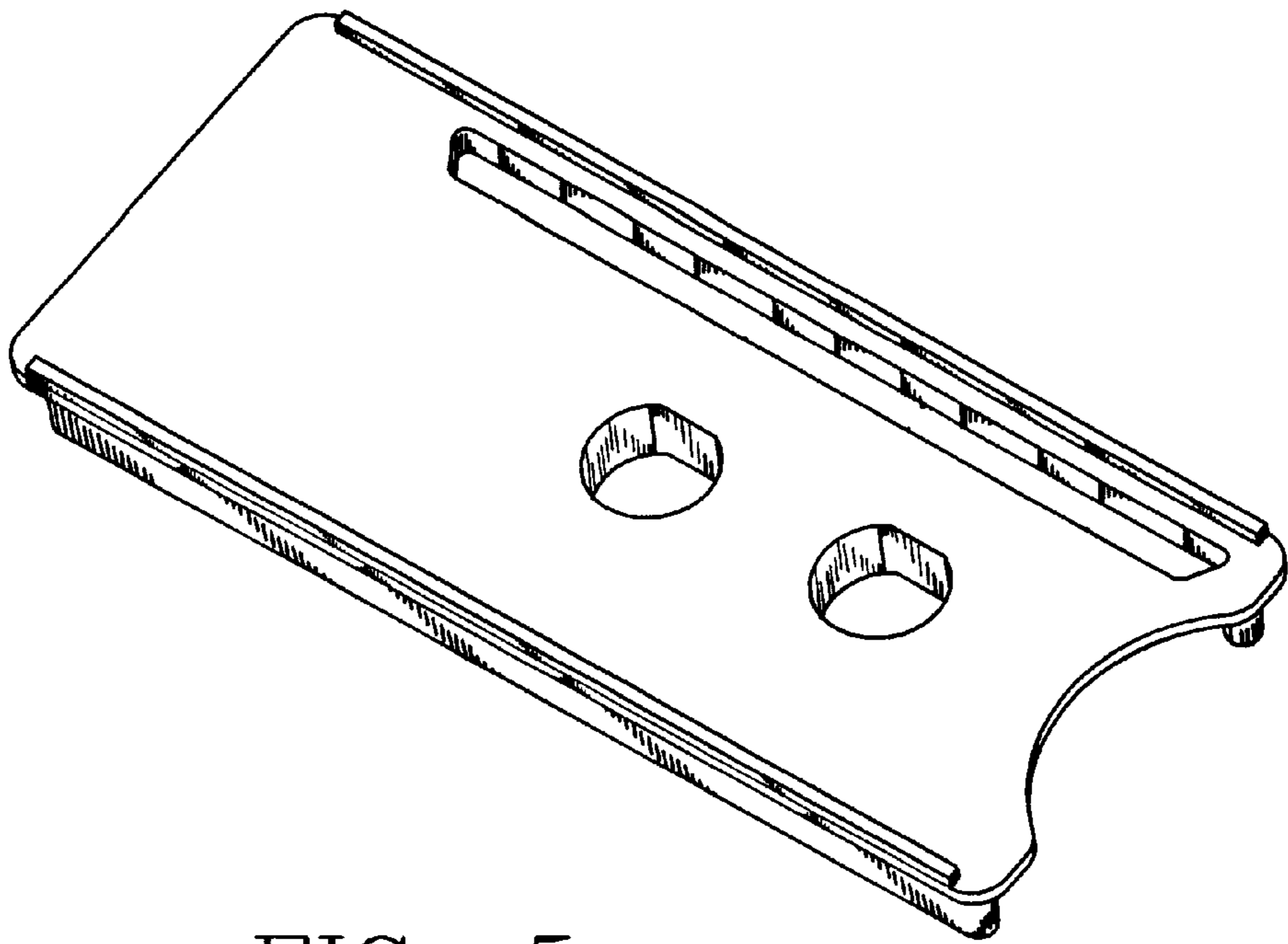


FIG. 5

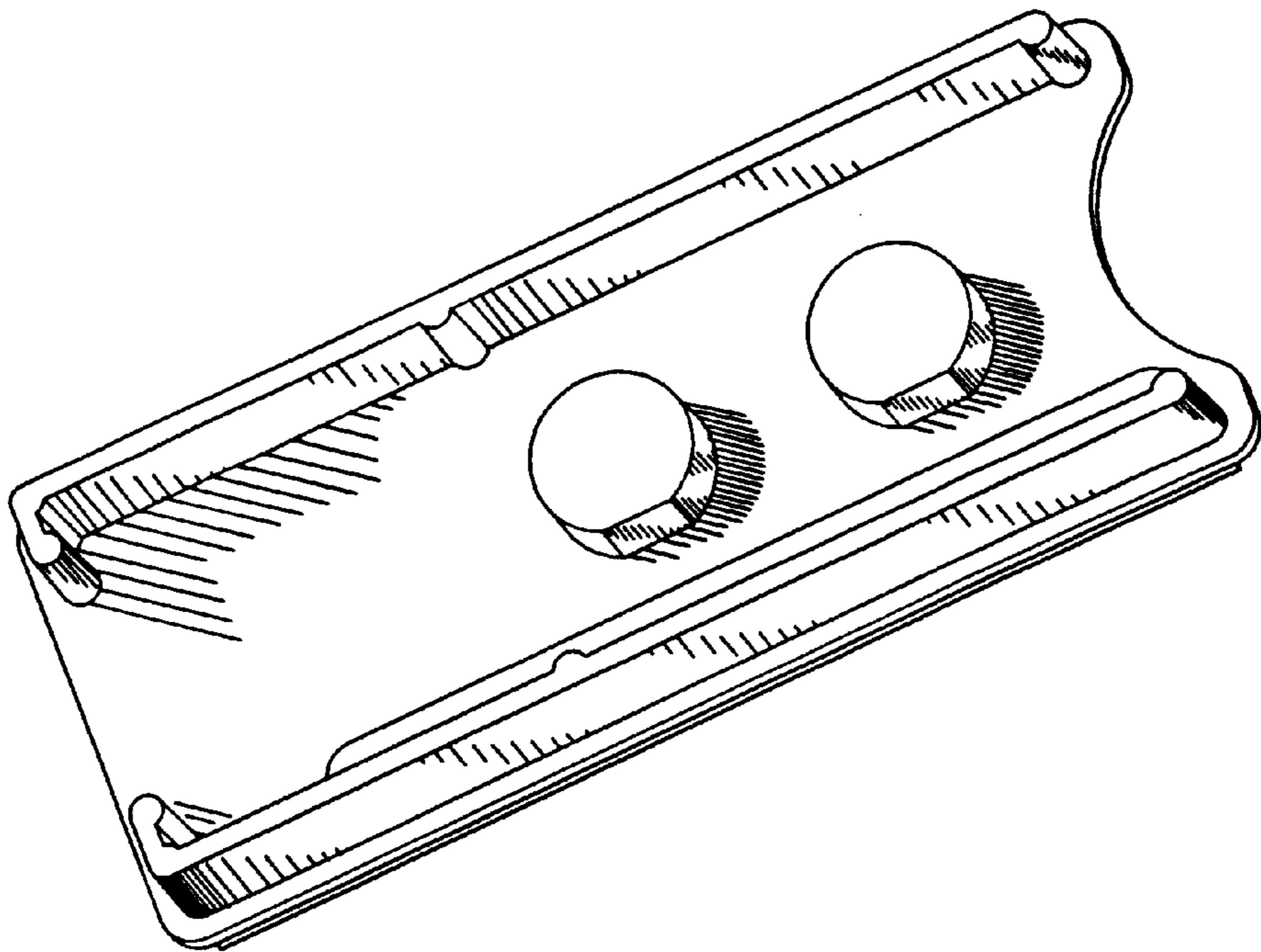


FIG. 6