



US00D470595S

(12) **United States Design Patent**
Crisanti et al.

(10) **Patent No.:** **US D470,595 S**

(45) **Date of Patent:** **** Feb. 18, 2003**

(54) **ASSAY DEVICE**

(76) Inventors: **Andrea Crisanti**, Department of
Biology, Imperial College, London
(GB), SW7 2AZ; **Uri Friedlander**, 20
Belsize Avenue, London (GB), NW3
4AU

(**) Term: **14 Years**

(21) Appl. No.: **29/149,495**

(22) Filed: **Oct. 10, 2001**

(30) **Foreign Application Priority Data**

Apr. 10, 2001 (GB) 2100991

(51) **LOC (7) Cl.** **24-02**

(52) **U.S. Cl.** **D24/216; D24/223; D24/224;**
D24/225

(58) **Field of Search** **D24/216, 223,**
D24/224, 225; 422/58, 56, 57, 61, 68.1,
102, 101, 104; 436/65, 63, 66; 435/287.9,
287.7, 287.8, 806, 287.1, 287.2, 286.5;
600/584

(56) **References Cited**

U.S. PATENT DOCUMENTS

D288,716 S 3/1987 Covell et al. D24/17
4,883,760 A 11/1989 Heelies 435/296

4,943,522 A 7/1990 Eisinger et al. 435/7
5,137,691 A 8/1992 Parker 422/58
5,256,372 A 10/1993 Brooks et al. 422/58
D342,575 S * 12/1993 Ashihara et al. D24/223
5,431,880 A * 7/1995 Kramer 422/57
5,656,503 A 8/1997 May 436/514
D432,244 S * 10/2000 Anderson et al. D24/223
6,267,722 B1 * 7/2001 Anderson et al. 600/584
6,375,896 B1 * 4/2002 Wuske et al. 422/58

FOREIGN PATENT DOCUMENTS

WO WO 93/18398 9/1993 G01N/33/53

* cited by examiner

Primary Examiner—Ian Simmons

(74) *Attorney, Agent, or Firm*—Nikolai & Mersereau, P.A.

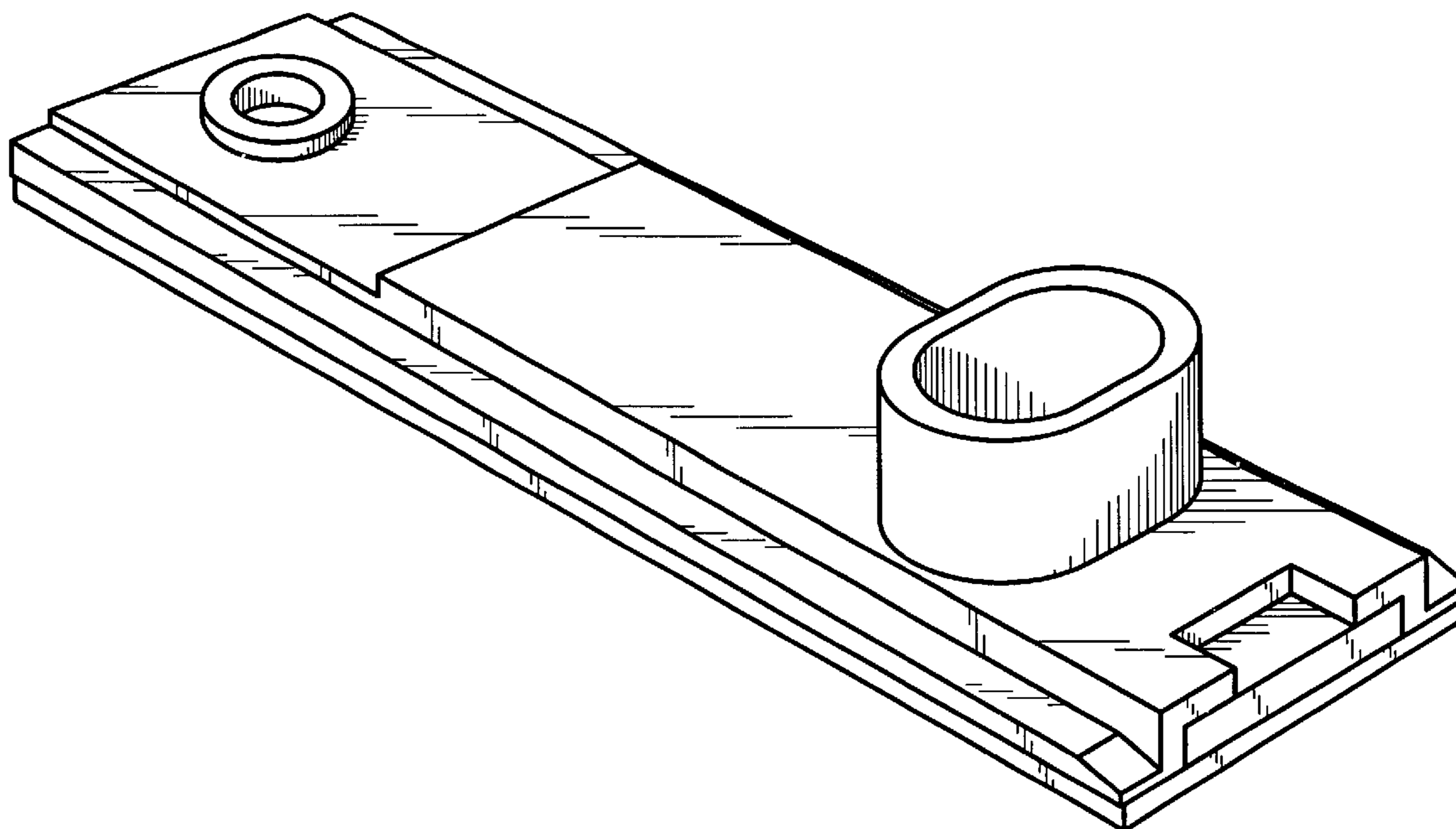
(57) **CLAIM**

The ornamental design for an assay device, as shown and described.

DESCRIPTION

FIG. 1 is a perspective view of the assay device;
FIG. 2 is an end view of a first end thereof;
FIG. 3 is an end view of a second end thereof;
FIG. 4 is a side view thereof with the opposite side view
being a mirror image thereof; and,
FIG. 5 is a plan view thereof.

1 Claim, 2 Drawing Sheets



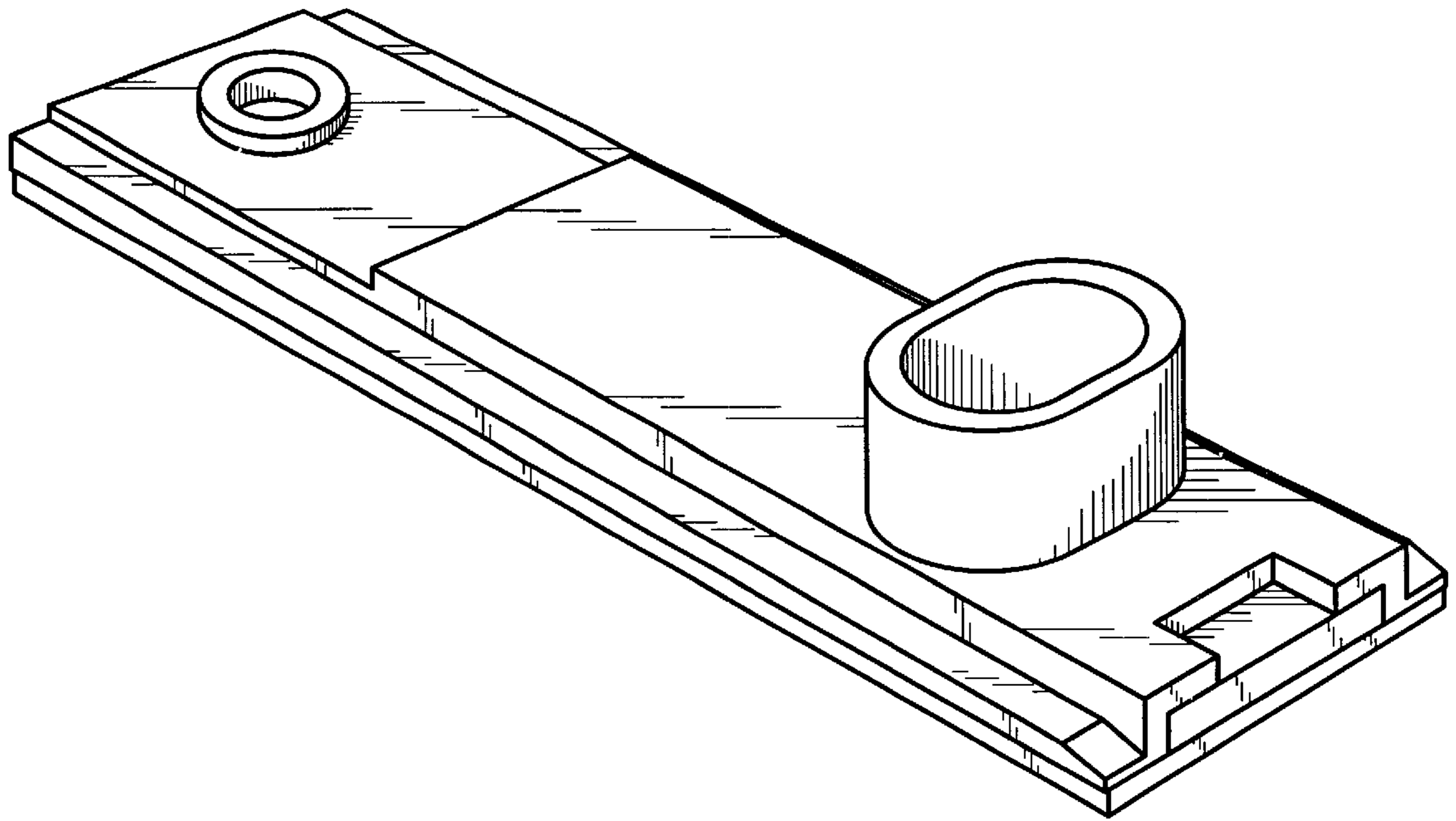


Fig. 1

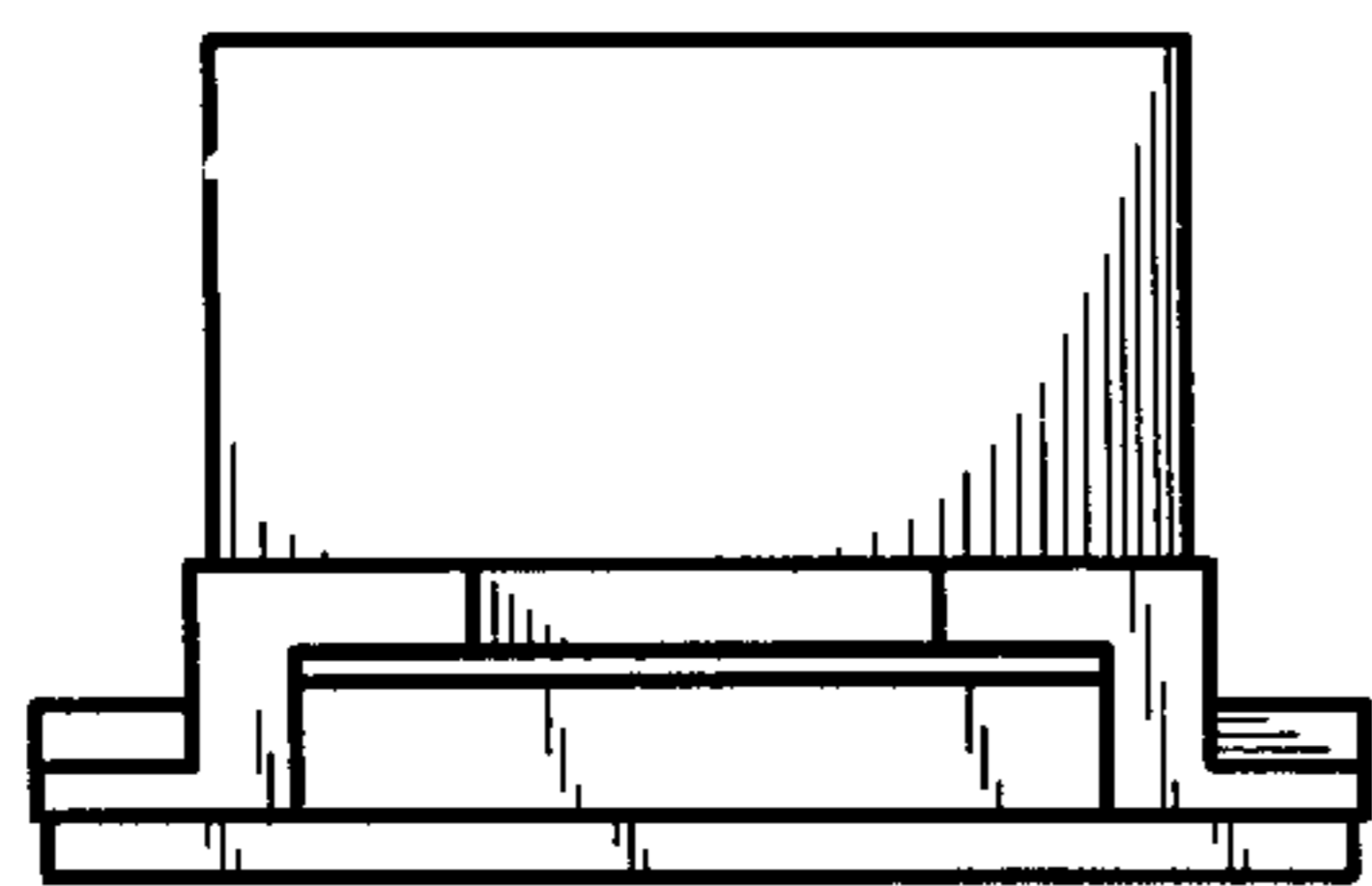


Fig. 2

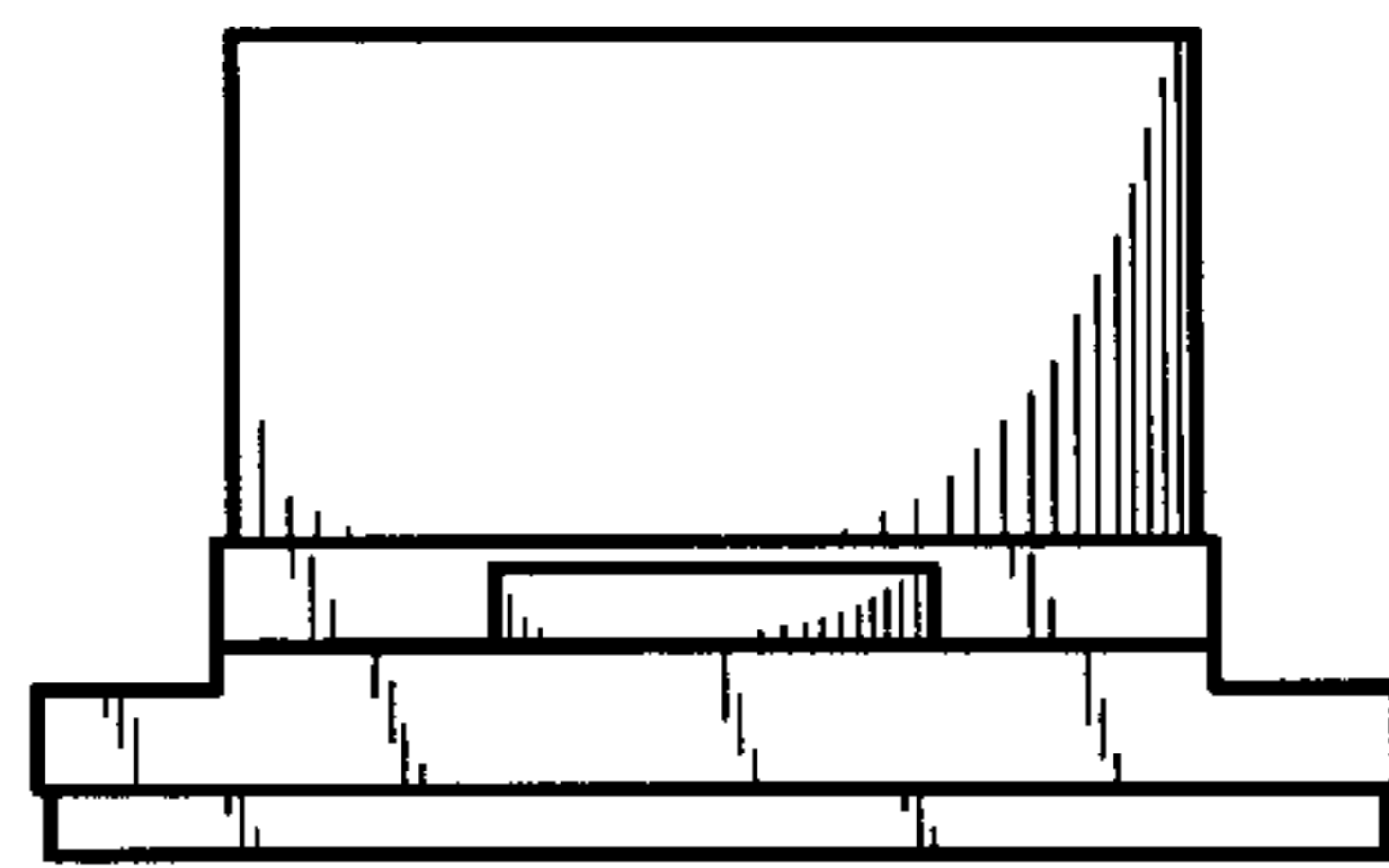


Fig. 3



Fig. 4

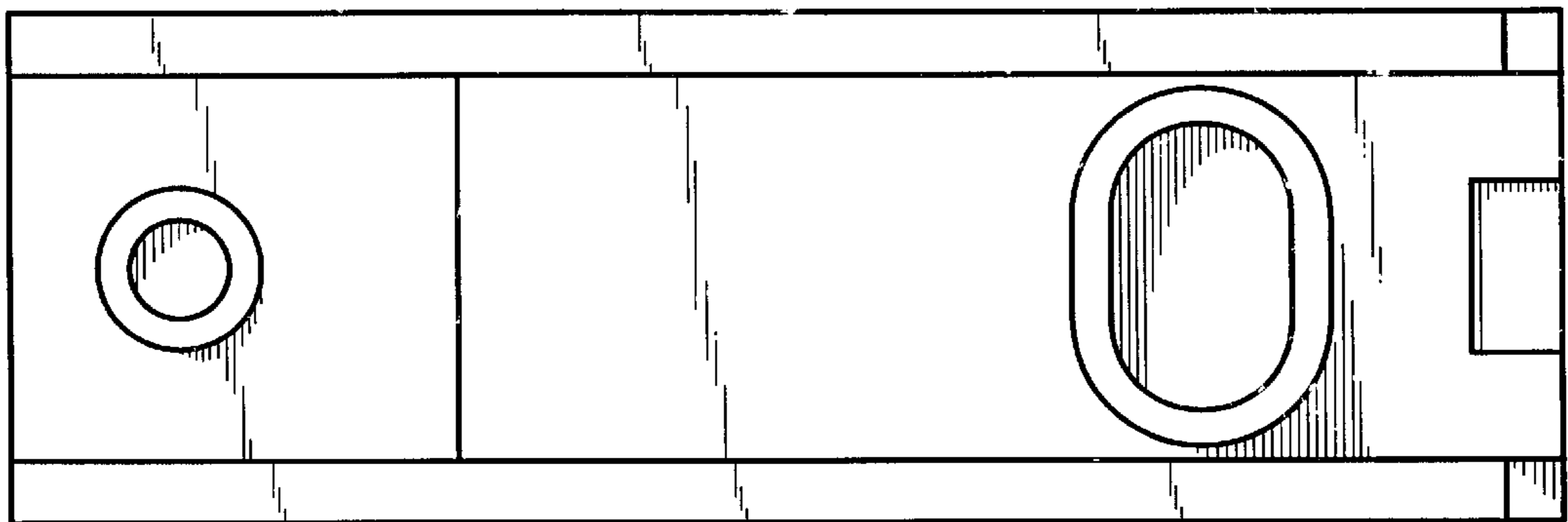


Fig. 5