



US00D470589S

(12) **United States Design Patent**  
**Choi et al.**

(10) **Patent No.:** **US D470,589 S**

(45) **Date of Patent:** **\*\* Feb. 18, 2003**

(54) **DENTAL X-RAY TUBE HEAD**

D349,160 S 7/1994 Pellegrino  
D387,163 S 12/1997 Osthues et al.  
5,835,554 A \* 11/1998 Suzuki et al. .... 378/98

(75) Inventors: **Charles Y. Choi**, Palatine, IL (US);  
**Kieron H. Tse**, Elk Grove, IL (US);  
**Arkady Kantor**, Buffalo Grove, IL (US)

\* cited by examiner

*Primary Examiner*—Stella Reid

(73) Assignee: **Progeny, Inc.**, Buffalo Grove, IL (US)

(74) *Attorney, Agent, or Firm*—Nicholas A. Kees; Godfrey & Kahn, S.C.

(\*\*) Term: **14 Years**

(57) **CLAIM**

(21) Appl. No.: **29/156,695**

The ornamental design for a dental X-ray tube head, substantially as shown and described.

(22) Filed: **Mar. 6, 2002**

**DESCRIPTION**

(51) **LOC (7) Cl.** ..... **24-01**

(52) **U.S. Cl.** ..... **D24/158**

(58) **Field of Search** ..... D24/158; 378/168,  
378/169, 170, 167, 197, 193, 98, 38

FIG. 1 is a perspective view of an embodiment of our ornamental design for a dental X-ray tube head, including, in phantom, the entire dental X-ray unit;  
FIG. 2 is a perspective view of an embodiment of our ornamental design for a dental X-ray tube head;  
FIG. 3 is a top plan view thereof;  
FIG. 4 is a bottom plan view thereof;  
FIG. 5 is a side elevational view thereof;  
FIG. 6 is a side elevational view thereof, from the opposite side;  
FIG. 7 is a front elevational view thereof; and,  
FIG. 8 is a rear elevational view thereof.

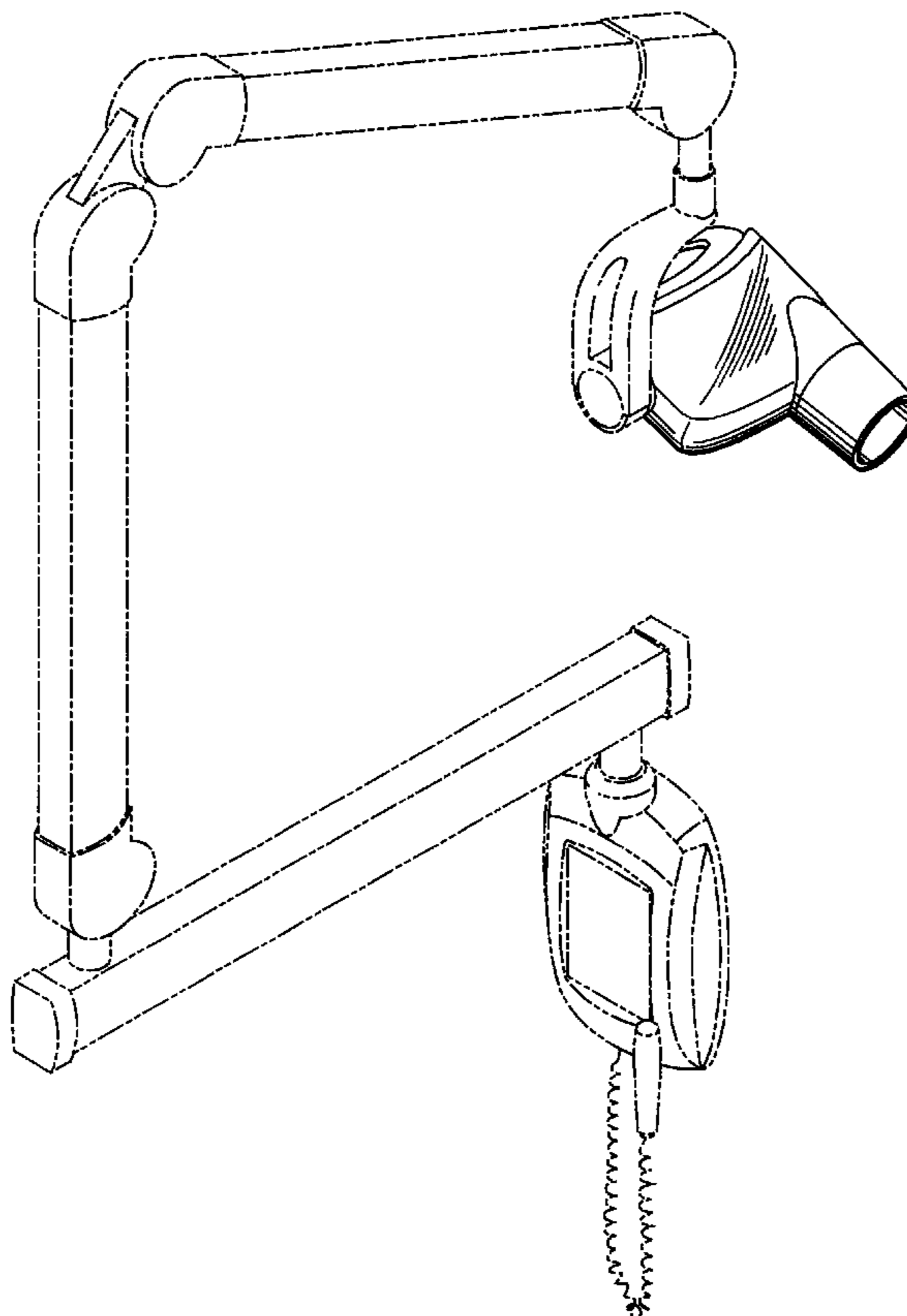
(56) **References Cited**

**U.S. PATENT DOCUMENTS**

4,057,733 A \* 11/1977 Hofmockel et al. .... 378/170  
4,060,731 A 11/1977 Rissi  
D246,665 S 12/1977 Updegrave  
4,104,530 A \* 8/1978 Weiss ..... 378/38  
4,150,296 A 4/1979 Edeland et al.  
4,157,476 A 6/1979 O'Connor  
D290,500 S 6/1987 Makas et al.  
4,829,548 A \* 5/1989 Halm et al. .... 378/38  
4,984,261 A 1/1991 Maldonado et al.  
4,993,057 A 2/1991 Runnells

The portions shown in phantom or broken lines in the figures form no part of the claimed design and are included only for the purpose of illustrating an environment.

**1 Claim, 5 Drawing Sheets**



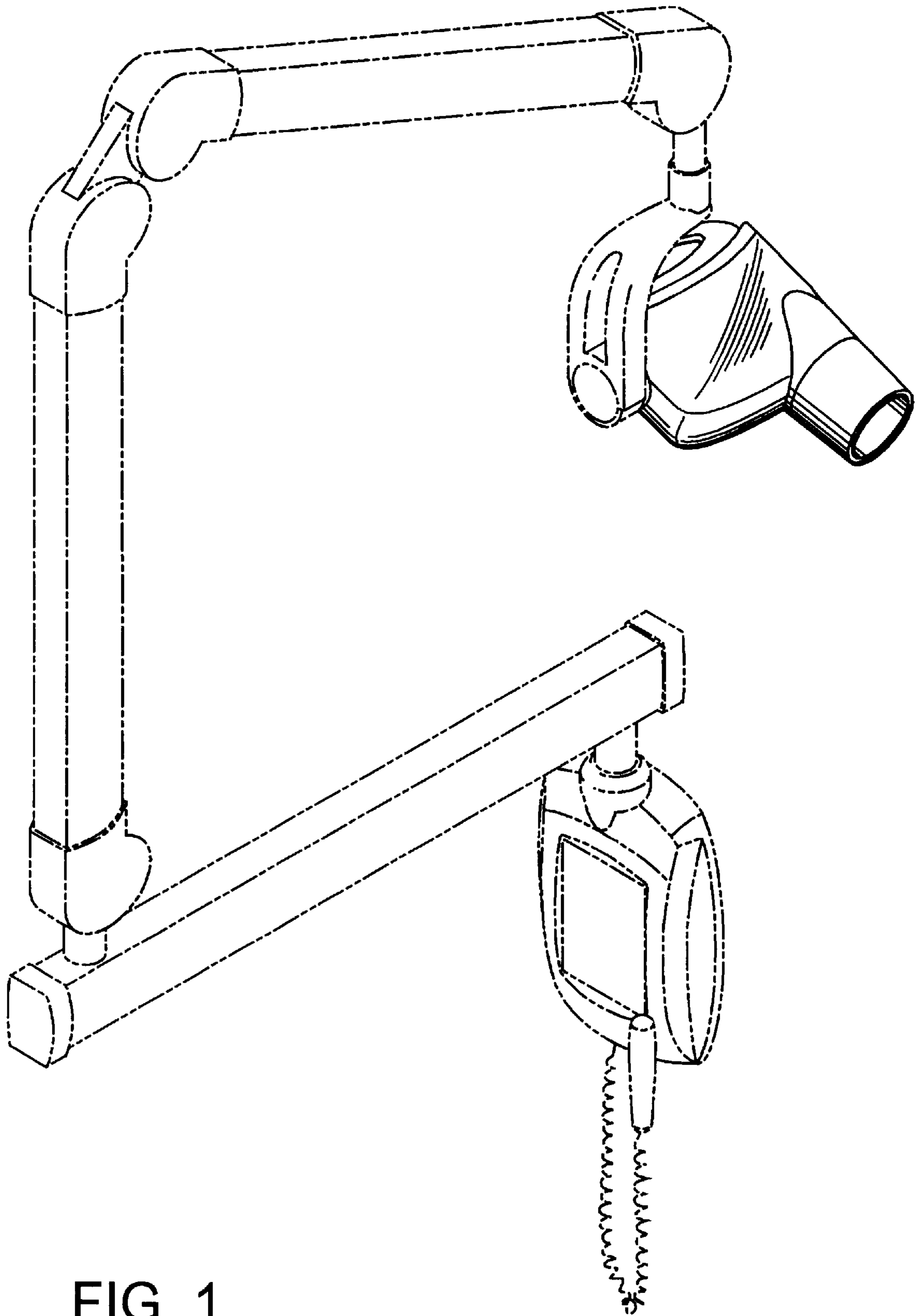


FIG. 1

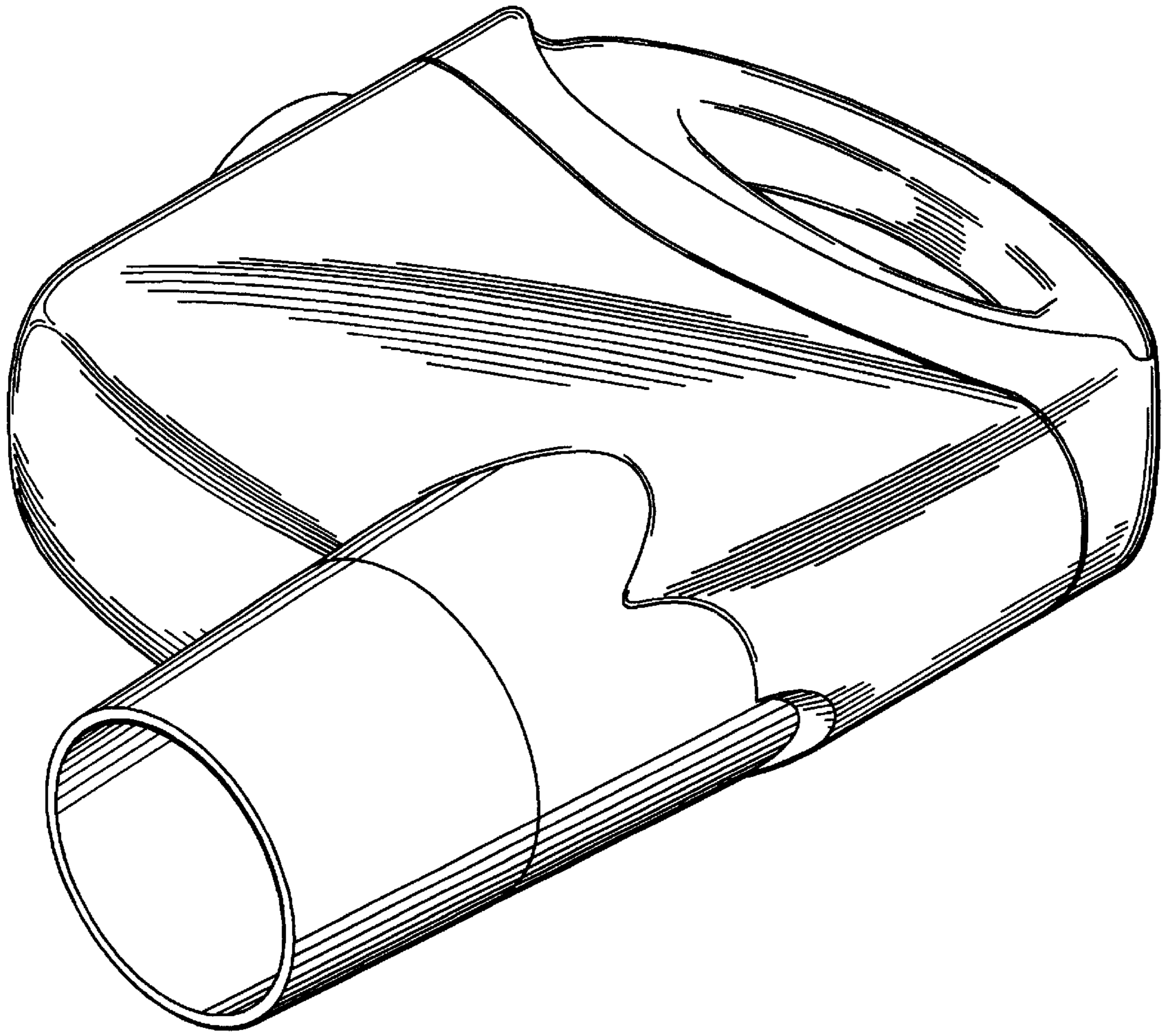


FIG. 2

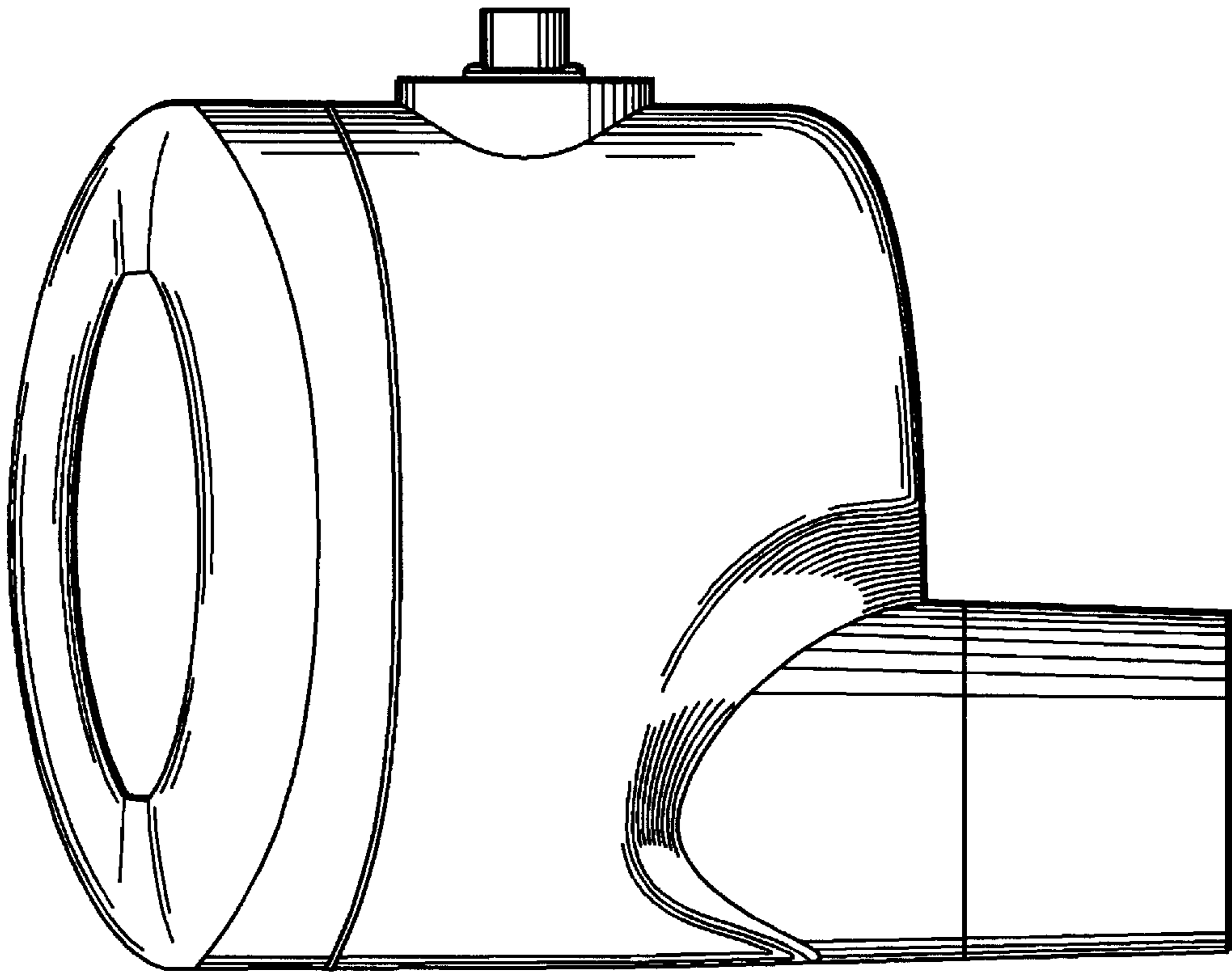


FIG. 3

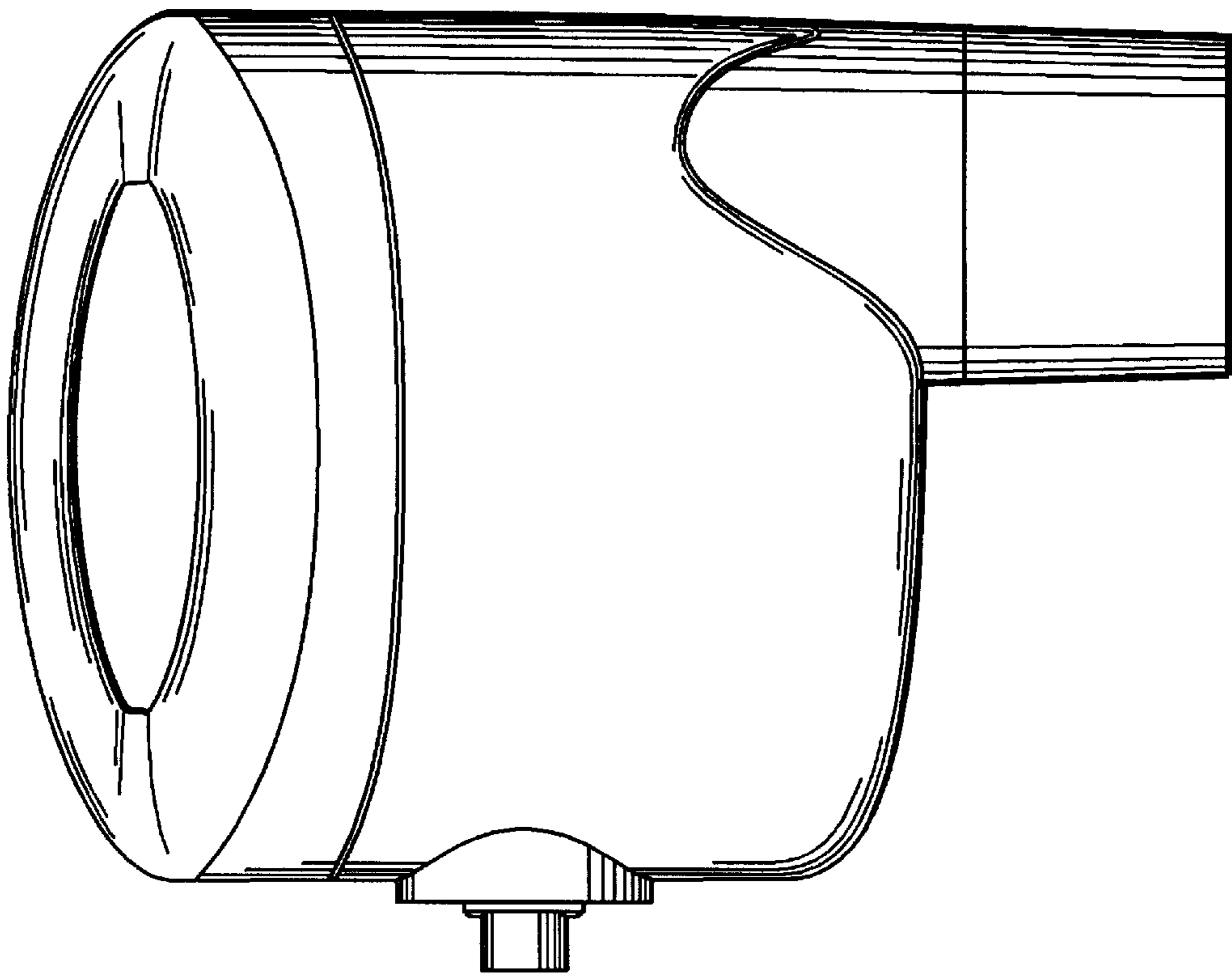


FIG. 4

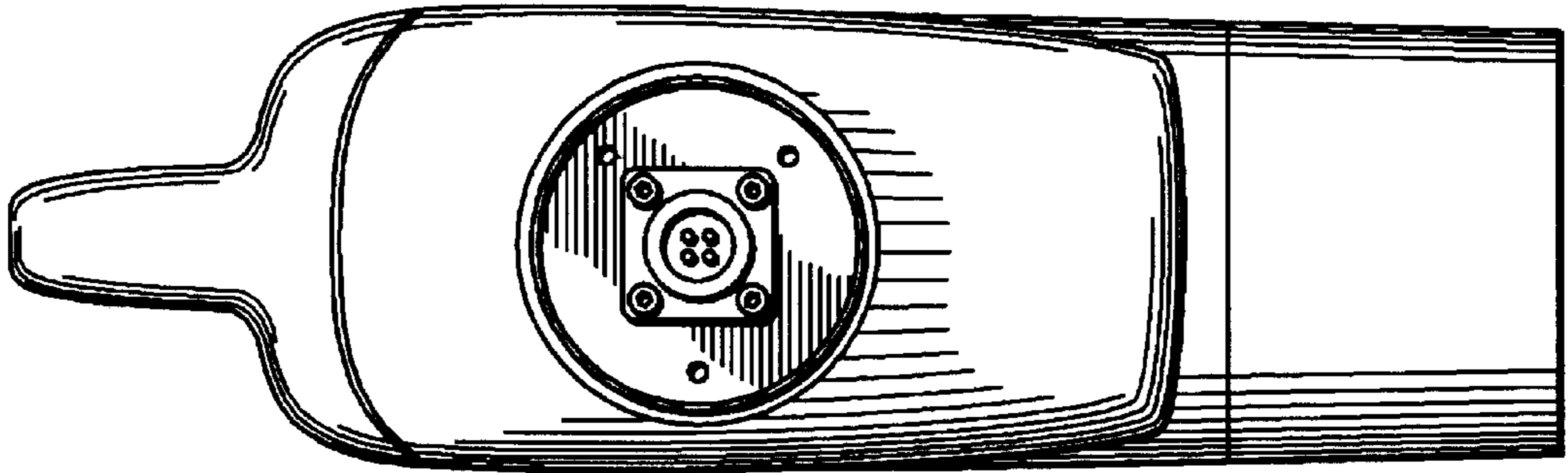


FIG. 5

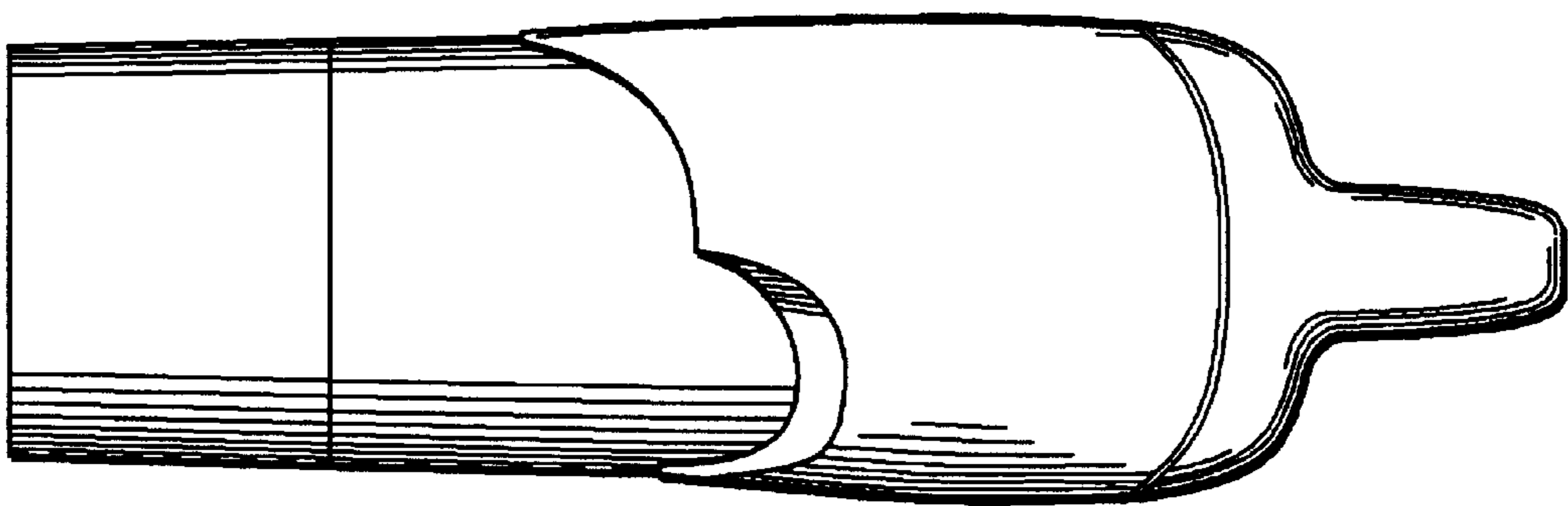


FIG. 6

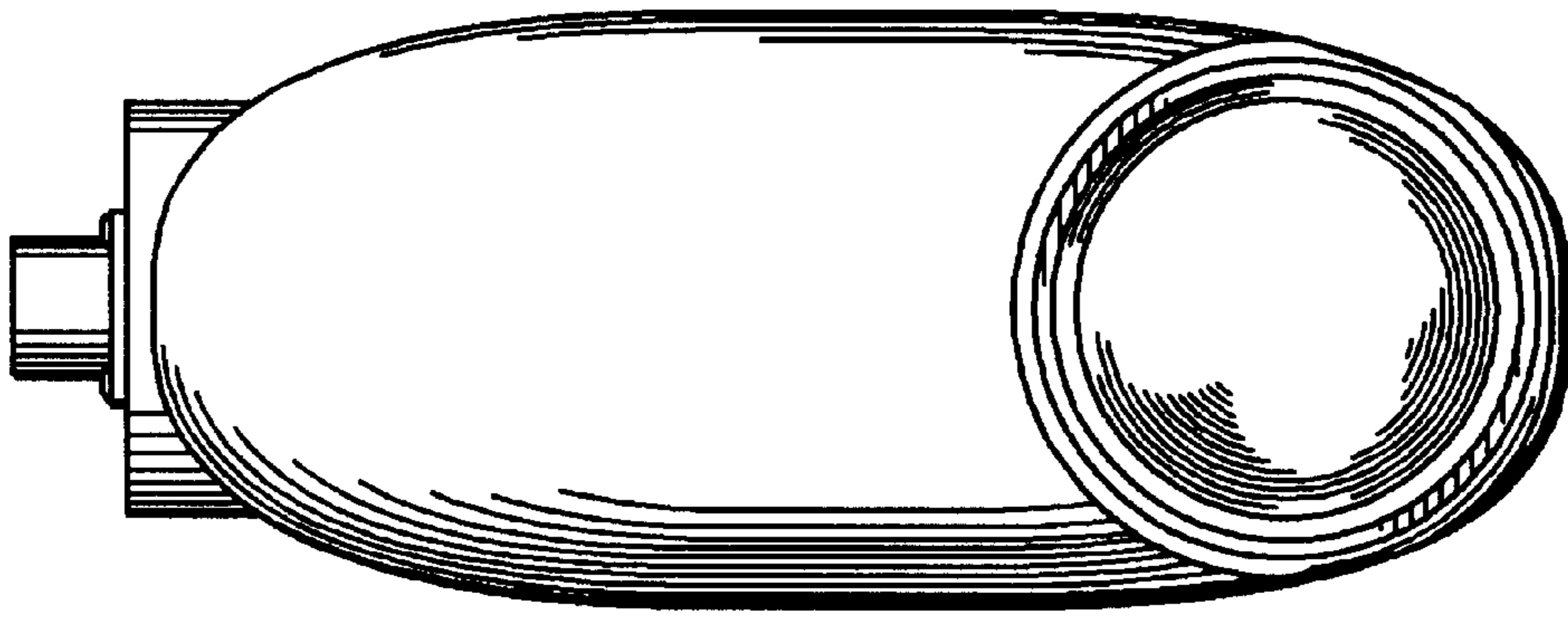


FIG. 7

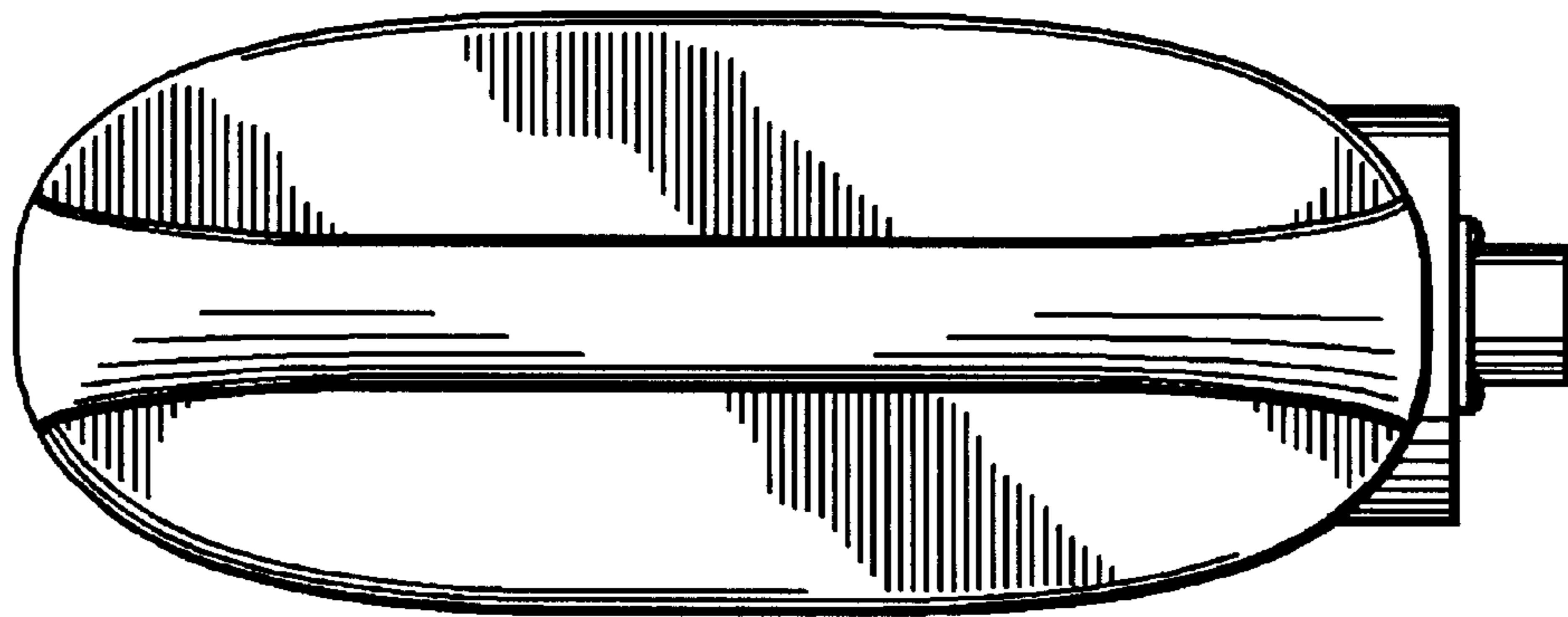


FIG. 8