



US00D470583S

(12) **United States Design Patent**  
**Klemming**

(10) **Patent No.:** **US D470,583 S**

(45) **Date of Patent:** **\*\* Feb. 18, 2003**

(54) **CHIMINEA**

(76) **Inventor:** **Ulf J. P. Klemming**, 215 Chao Hui Road, 7 Zhongshan Hua Yuan, Qiu Yue Yuan 17A, 310014 Hangzhou (CN)

(\*\*) **Term:** **14 Years**

(21) **Appl. No.:** **29/156,554**

(22) **Filed:** **Mar. 5, 2002**

(51) **LOC (7) Cl.** ..... **23-03**

(52) **U.S. Cl.** ..... **D23/348**

(58) **Field of Search** ..... D23/342, 343, D23/345, 346, 350, 404, 406, 409, 332, 348; D7/323, 332, 334; 126/500, 512, 519, 544, 547, 92 R, 92 B, 9 R, 25 R, 58, 93

(56) **References Cited**

**U.S. PATENT DOCUMENTS**

3,339,540 A	9/1967	Kreider
3,777,735 A	12/1973	Miller
4,112,913 A	9/1978	Shimek et al.
D256,500 S	8/1980	Johnson
4,252,105 A	2/1981	Johnson

D265,500 S 7/1982 Smith

5,421,321 A 6/1995 Ward

6,178,965 B1 1/2001 Sulak

D442,268 S 5/2001 Weiss

**OTHER PUBLICATIONS**

Advertisement of product embodying design, no earlier than Dec., 2001.

*Primary Examiner*—B. J. Bullock

(57) **CLAIM**

The ornamental design for a chiminea, as shown and described.

**DESCRIPTION**

FIG. 1. is a bottom view of a chiminea showing my new design;

FIG. 2 is a top view thereof;

FIG. 3 is a front elevational view thereof;

FIG. 4 is a left-side elevational view thereof;

FIG. 5 is a right-side elevational view thereof; and,

FIG. 6 is a rear elevational view thereof.

**1 Claim, 5 Drawing Sheets**

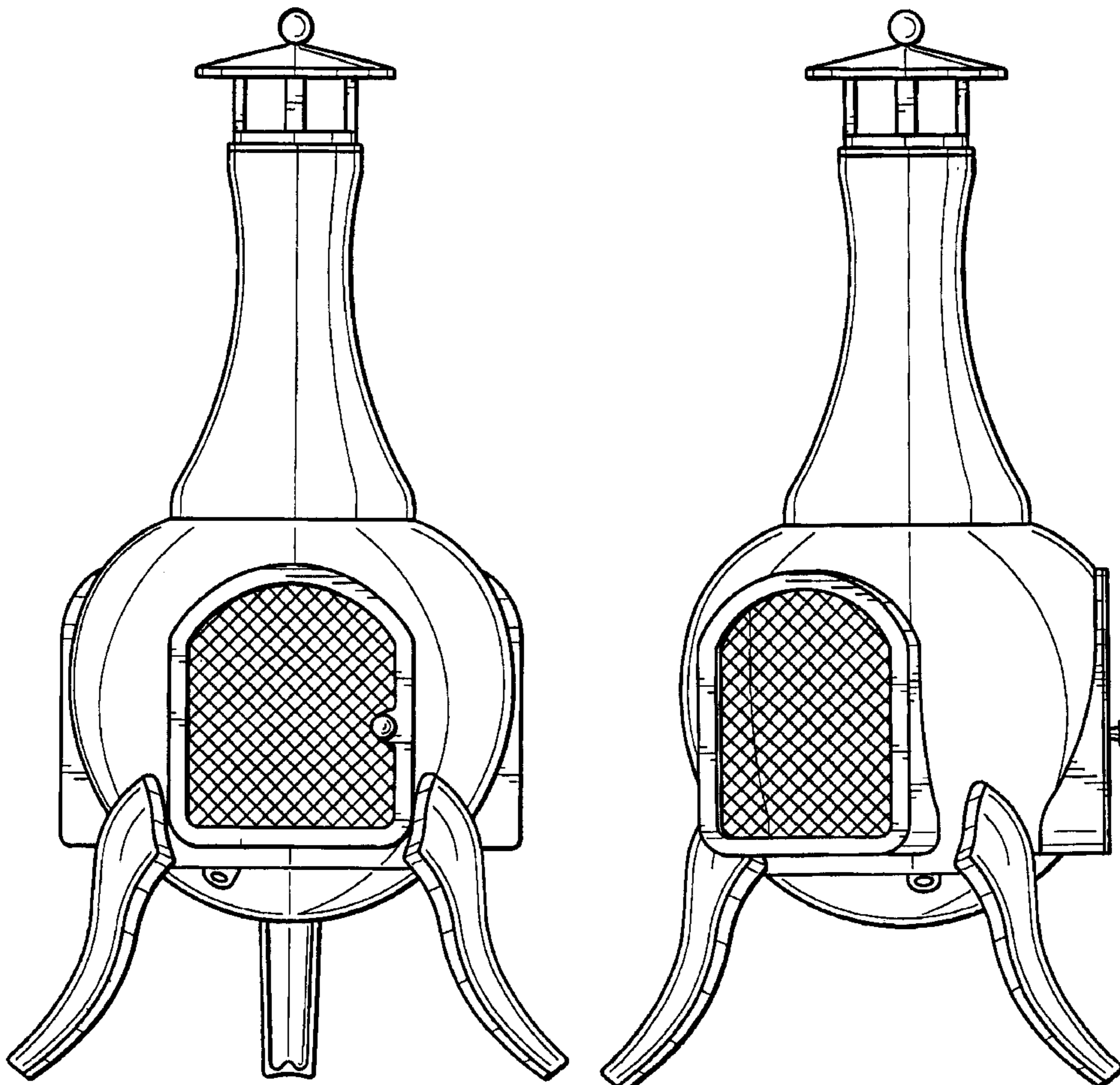


FIG.2

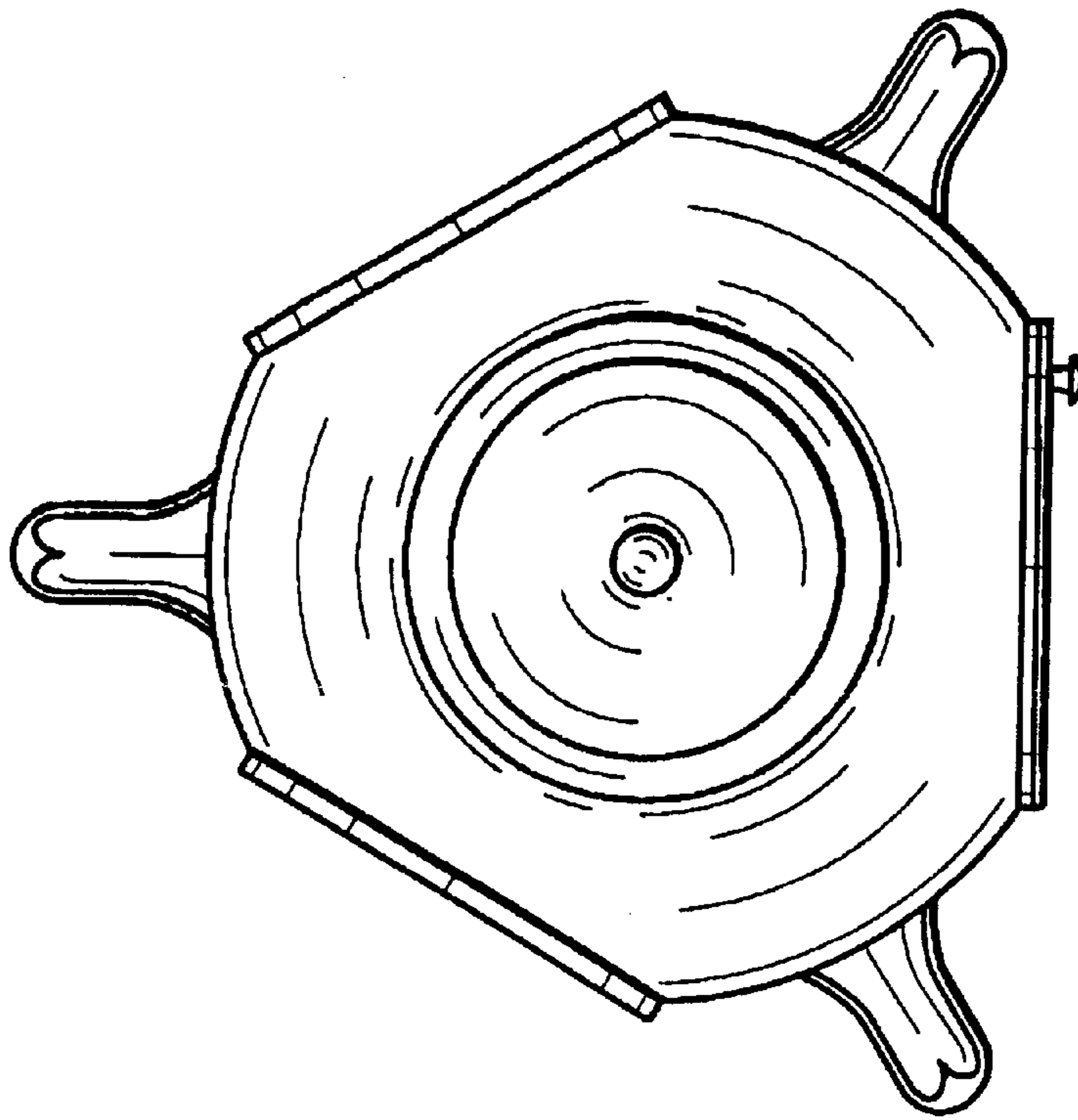
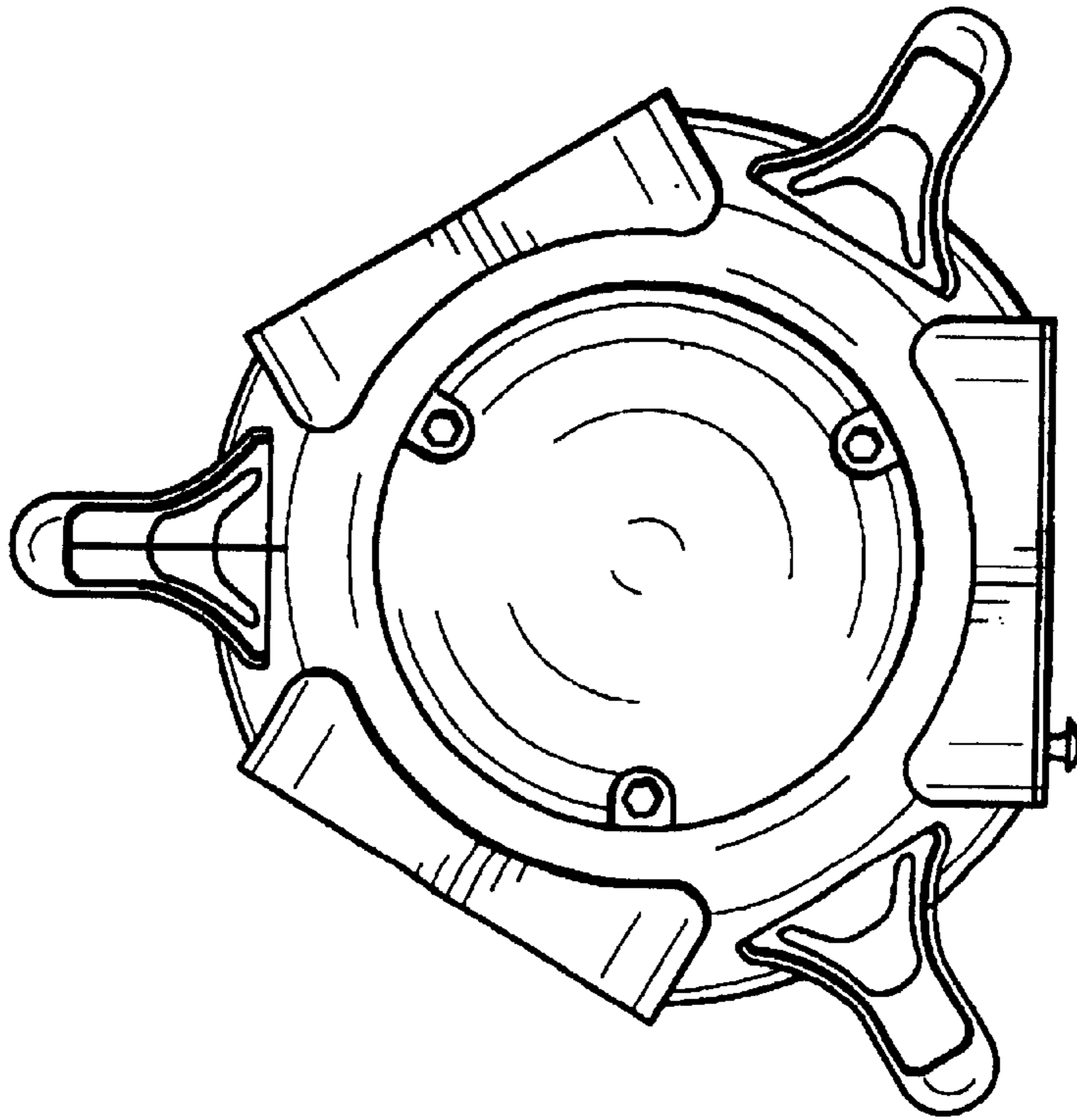
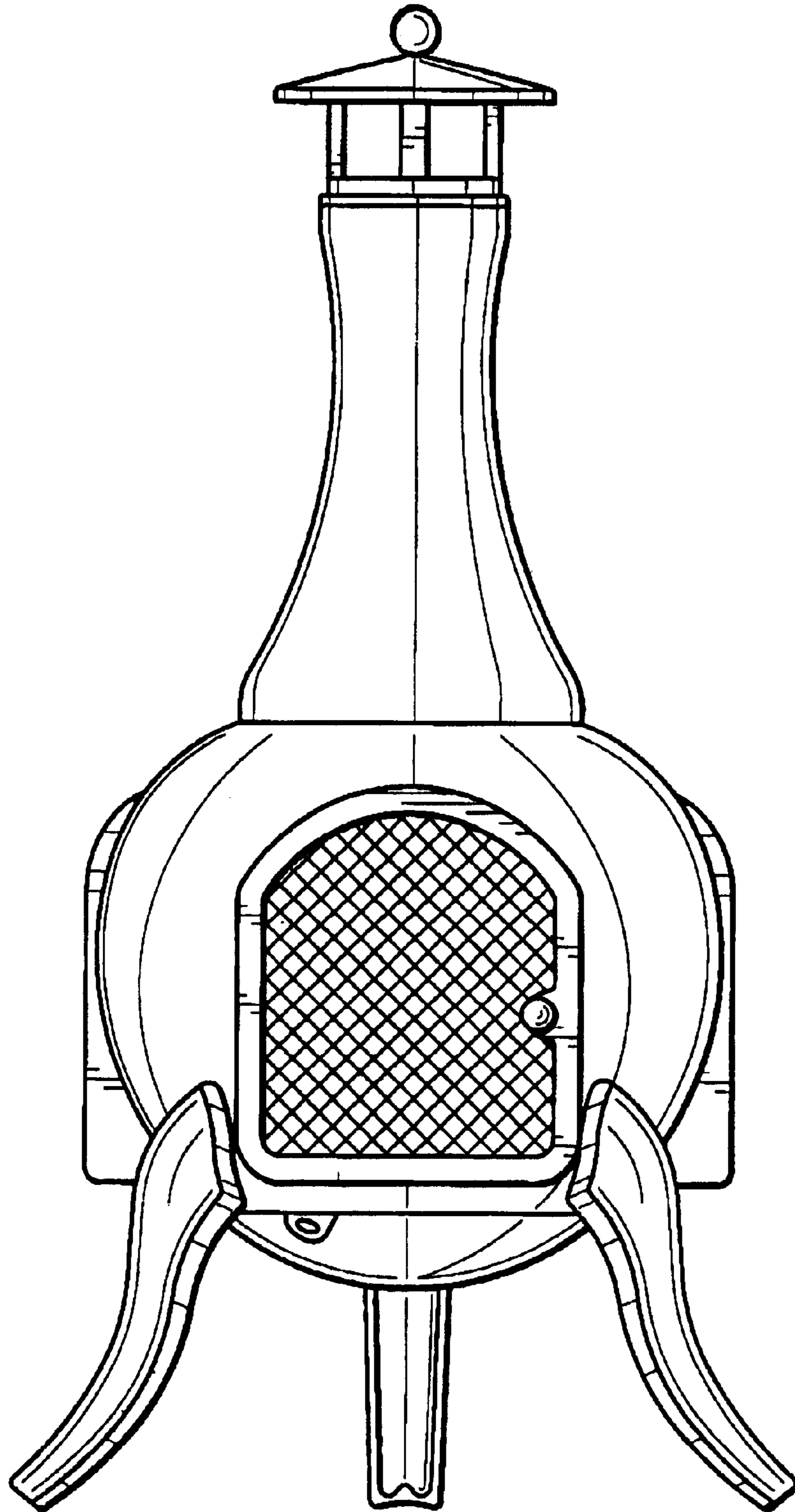


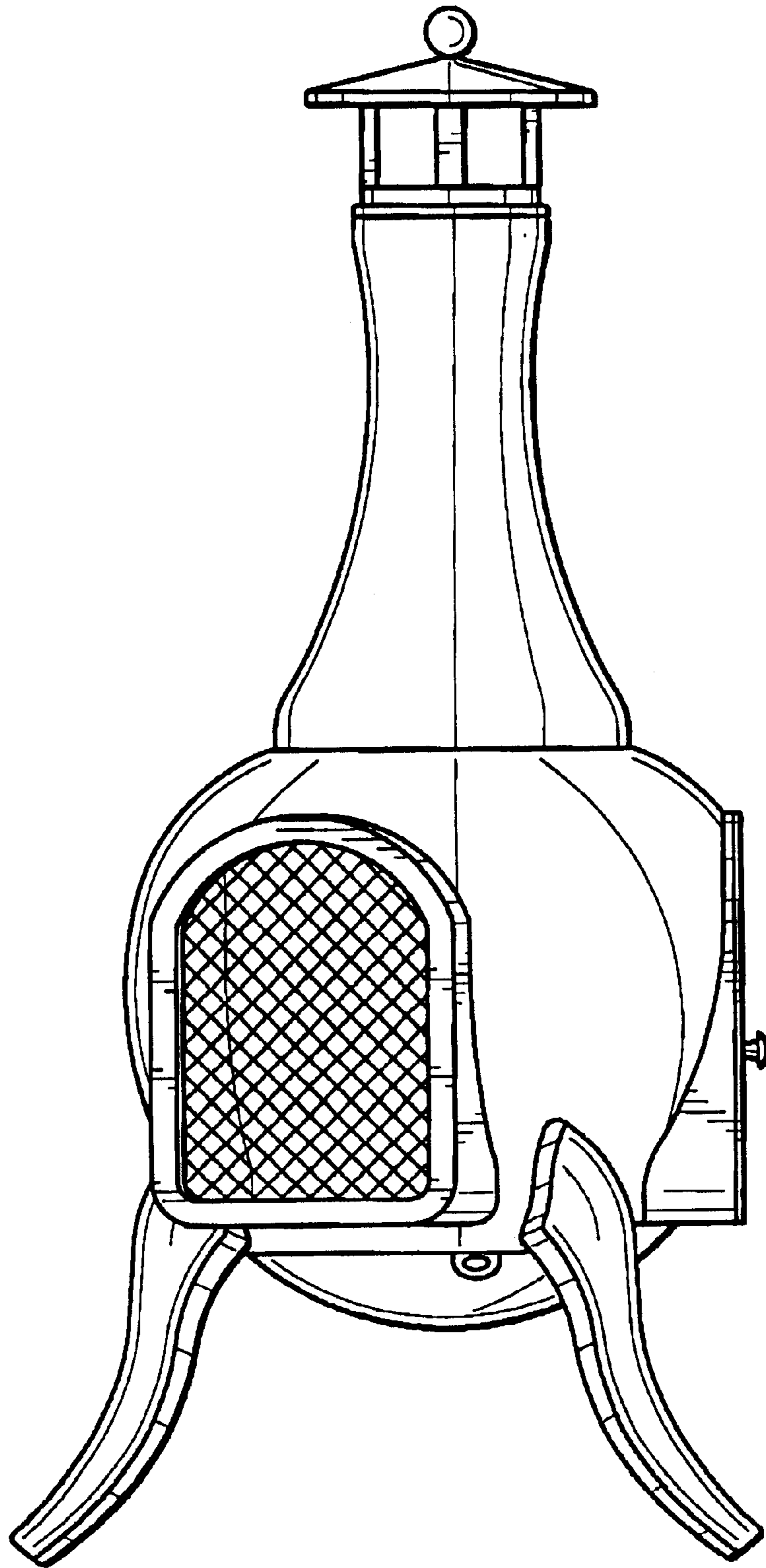
FIG.1



**FIG. 3**

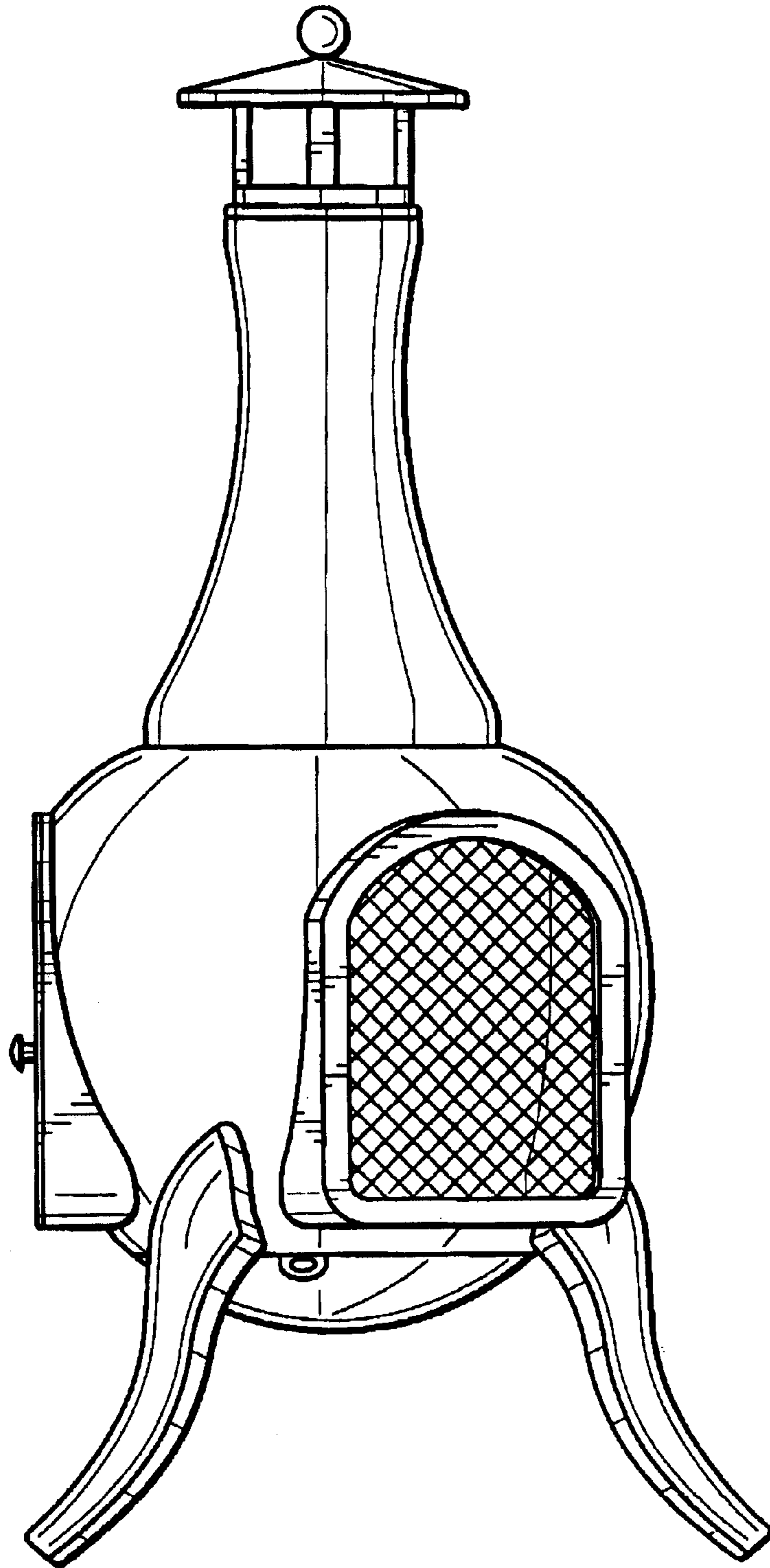


**FIG.4**





*FIG. 5*



*FIG. 6*

