



US00D470580S

(12) **United States Design Patent**
Tako

(10) **Patent No.:** **US D470,580 S**

(45) **Date of Patent:** **** Feb. 18, 2003**

(54) **WATER CLOSET**

(75) Inventor: **Hiroataka Tako**, Fukuoka (JP)

(73) Assignee: **Toto Ltd.**, Fukuoka (JP)

(**) Term: **14 Years**

(21) Appl. No.: **29/152,085**

(22) Filed: **Dec. 18, 2001**

(30) **Foreign Application Priority Data**

Oct. 15, 2001 (JP) 2001-030210

(51) **LOC (7) Cl.** **23-02**

(52) **U.S. Cl.** **D23/295**

(58) **Field of Search** D23/273, 274,
D23/295, 299, 301, 303, 309, 313; 4/663-665,
300, 328-329, 353-354, 364, 420, 443,
446, 474, 476, DIG. 15

(56) **References Cited**

U.S. PATENT DOCUMENTS

D271,326 S * 11/1983 Doman et al. D23/301

D292,431 S * 10/1987 Kohler, Jr. D23/301
D349,156 S * 7/1994 Kohler, Jr. et al. D23/301
D437,634 S * 2/2001 Hundley D23/301

* cited by examiner

Primary Examiner—Louis S. Zarfaz

Assistant Examiner—Robert A. Delehanty

(74) *Attorney, Agent, or Firm*—Birch, Stewart, Kolasch & Birch, LLP

(57) **CLAIM**

The ornamental design for water closet, as shown and described.

DESCRIPTION

FIG. 1 is a front perspective view of a water closet showing my new design;

FIG. 2 is a front elevational view thereof;

FIG. 3 is a top plan view thereof; and,

FIG. 4 is a right side elevational view thereof, the left side elevational view being a mirror image thereof.

1 Claim, 2 Drawing Sheets

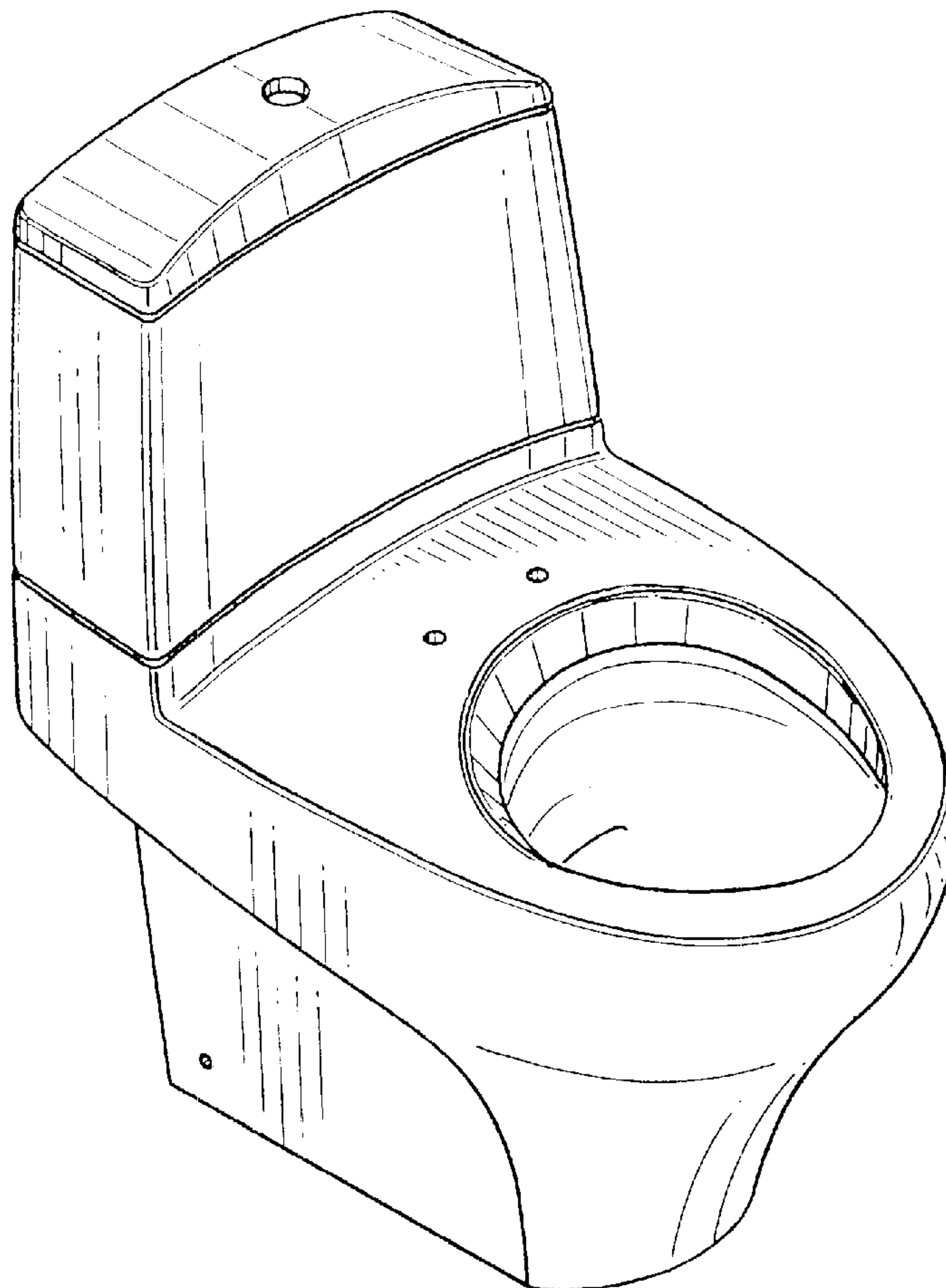


FIG. 1

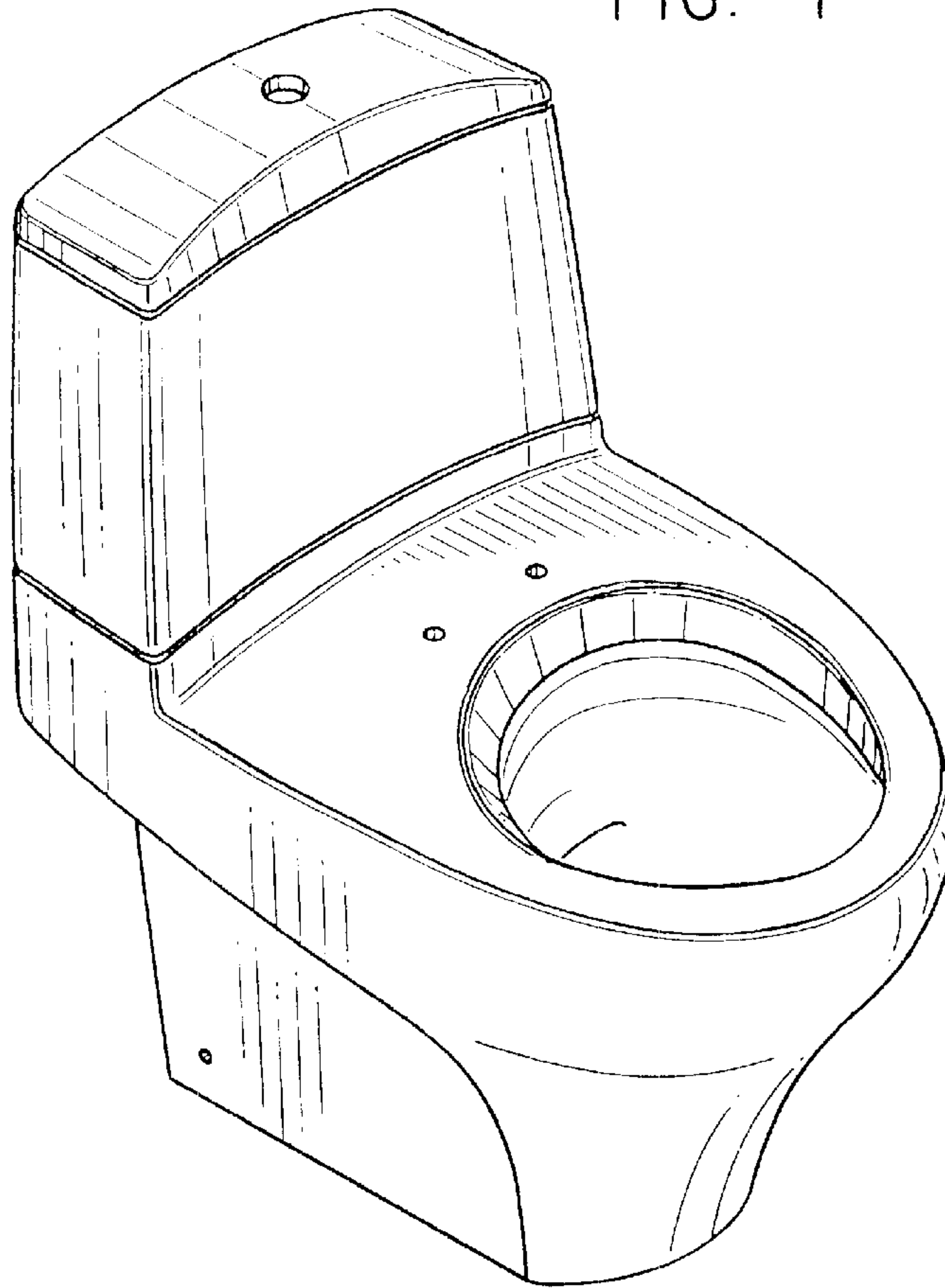


FIG. 2

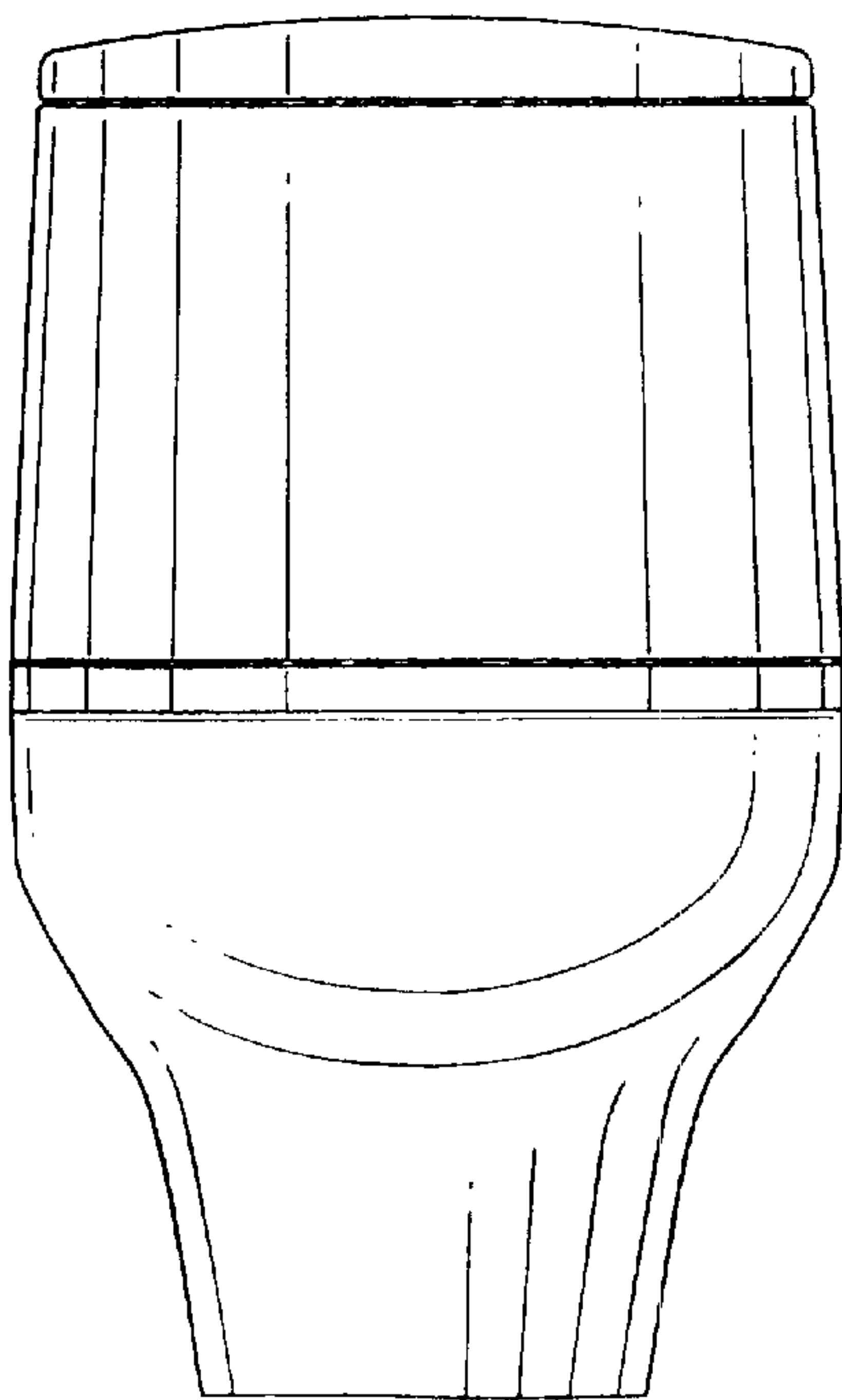


FIG. 3

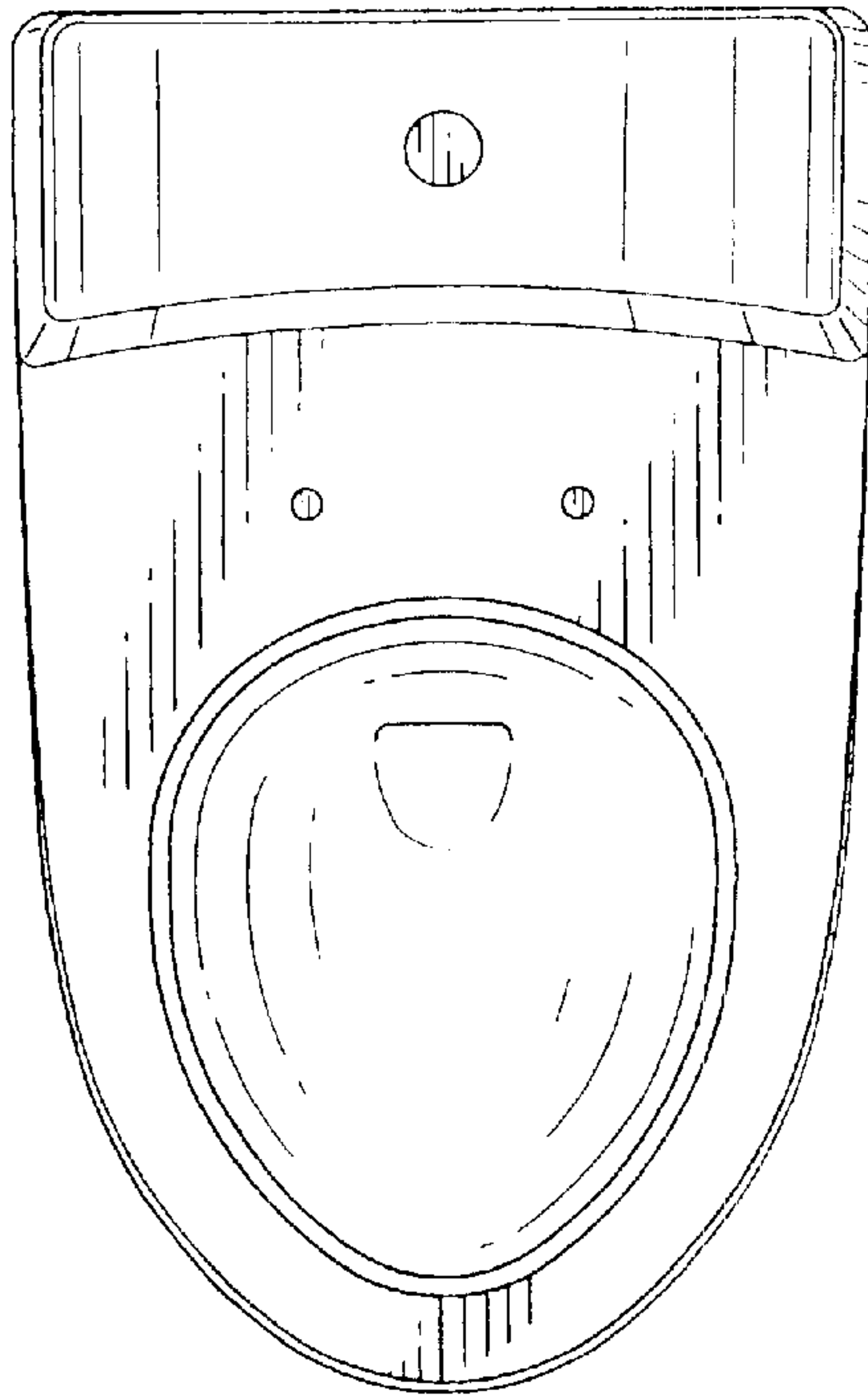


FIG. 4

