



US00D470579S

(12) **United States Design Patent**
Foster

(10) **Patent No.:** **US D470,579 S**

(45) **Date of Patent:** **** Feb. 18, 2003**

(54) **BATHTUB**

(75) Inventor: **Norman Foster**, London (GB)

(73) Assignee: **Hoesch Metall + Kunststoffwerk GmbH & Co.**, Schneidhausen (GB)

(**) Term: **14 Years**

(21) Appl. No.: **29/162,931**

(22) Filed: **Jun. 25, 2002**

Related U.S. Application Data

(62) Division of application No. 29/148,538, filed on Sep. 24, 2001.

(30) **Foreign Application Priority Data**

Mar. 23, 2001 (GB) 4 01 02 921

(51) **LOC (7) Cl.** **23-02**

(52) **U.S. Cl.** **D23/280.1**

(58) **Field of Search** D23/270, 273-278,
D23/280.1, 303-304, 306; 4/538, 541.1-541.5,
586, 663, 578.1

(56) **References Cited**

U.S. PATENT DOCUMENTS

1,325,423 A * 12/1919 Stuart 4/578.1

2,796,042 A * 6/1957 Cope D30/129 X
D219,215 S * 11/1970 Korol D23/280.1
4,535,489 A * 8/1985 Elkins 4/538 X
D374,515 S * 10/1996 Benson II D23/278 X
D451,986 S * 12/2001 Marshall et al. D23/280.1

* cited by examiner

Primary Examiner—Louis S. Zarfes

Assistant Examiner—Robert A. Delehanty

(74) *Attorney, Agent, or Firm*—Venable; Norman N. Kunitz

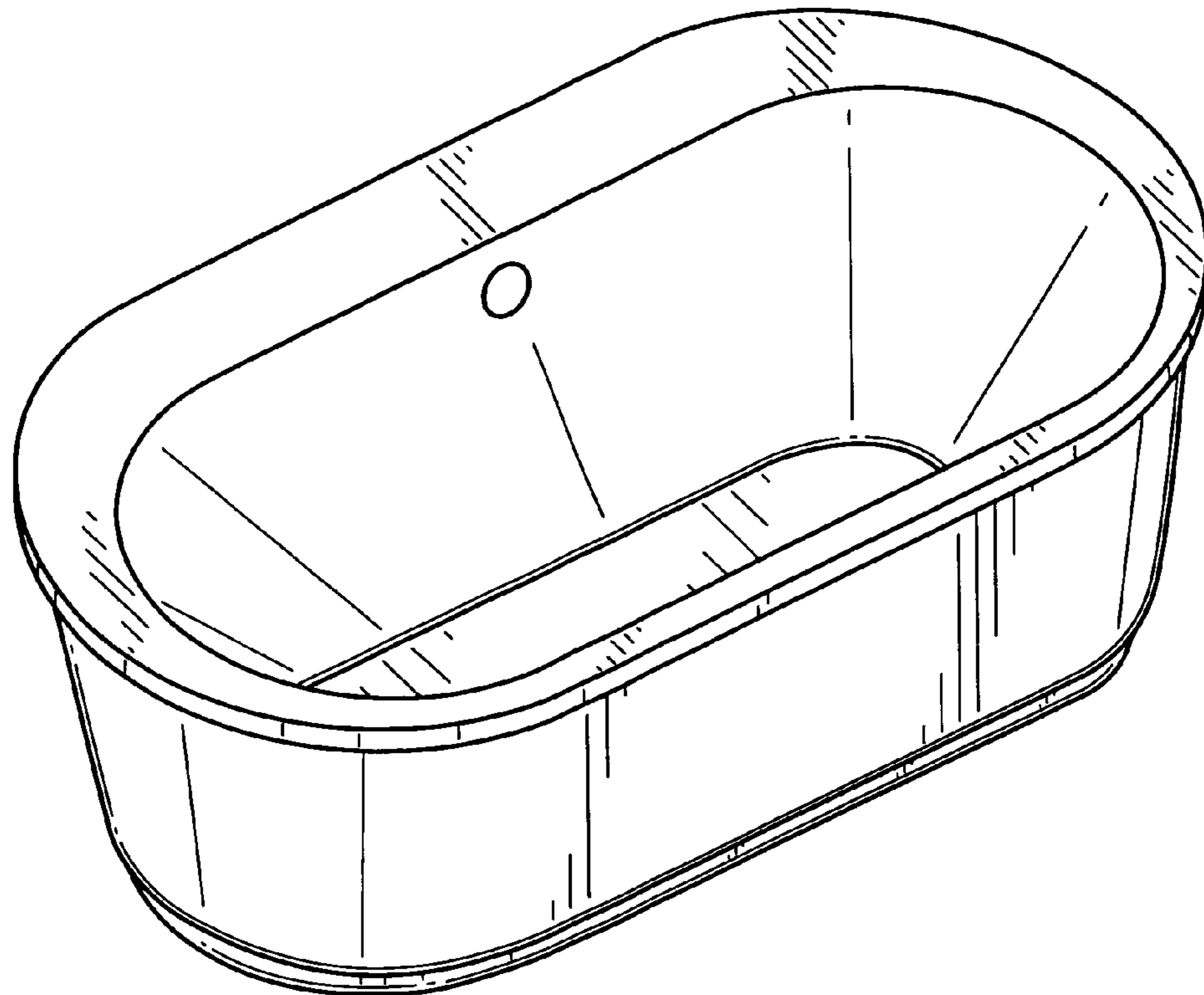
(57) **CLAIM**

The ornamental design for a bathtub, as shown and described.

DESCRIPTION

FIG. 1 is a perspective view of my new design.
FIG. 2 is a right side elevational view thereof.
FIG. 3 is a left side elevational view thereof.
FIG. 4 is a front elevational view thereof.
FIG. 5 is a rear elevational view thereof.
FIG. 6 is a top plan view thereof; and,
FIG. 7 is a bottom plan view thereof.

1 Claim, 4 Drawing Sheets



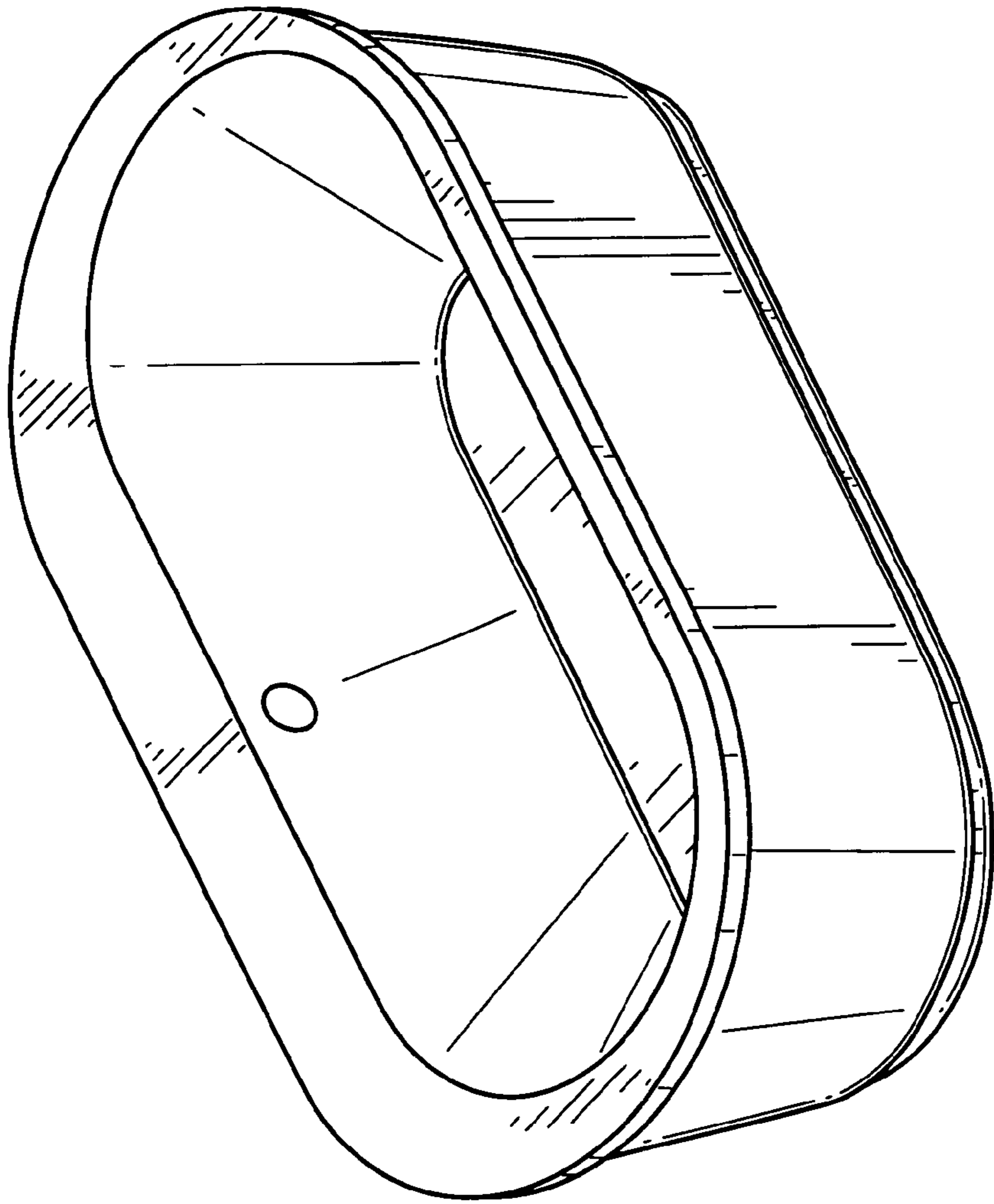


FIG. 1

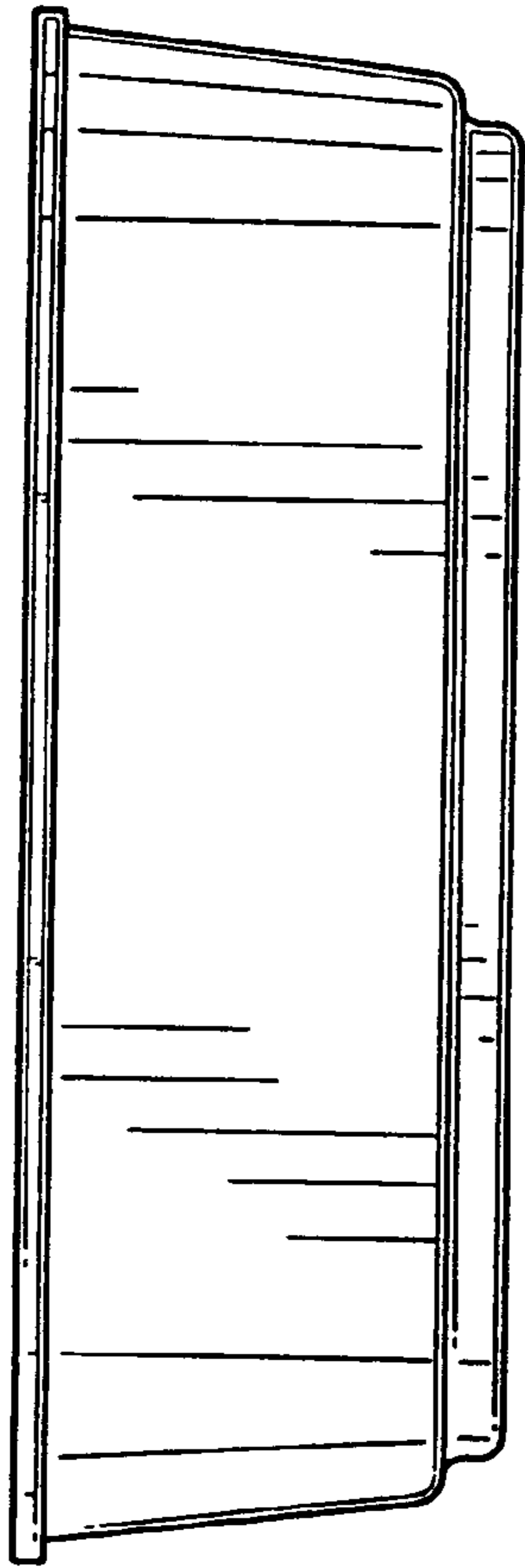


FIG. 2

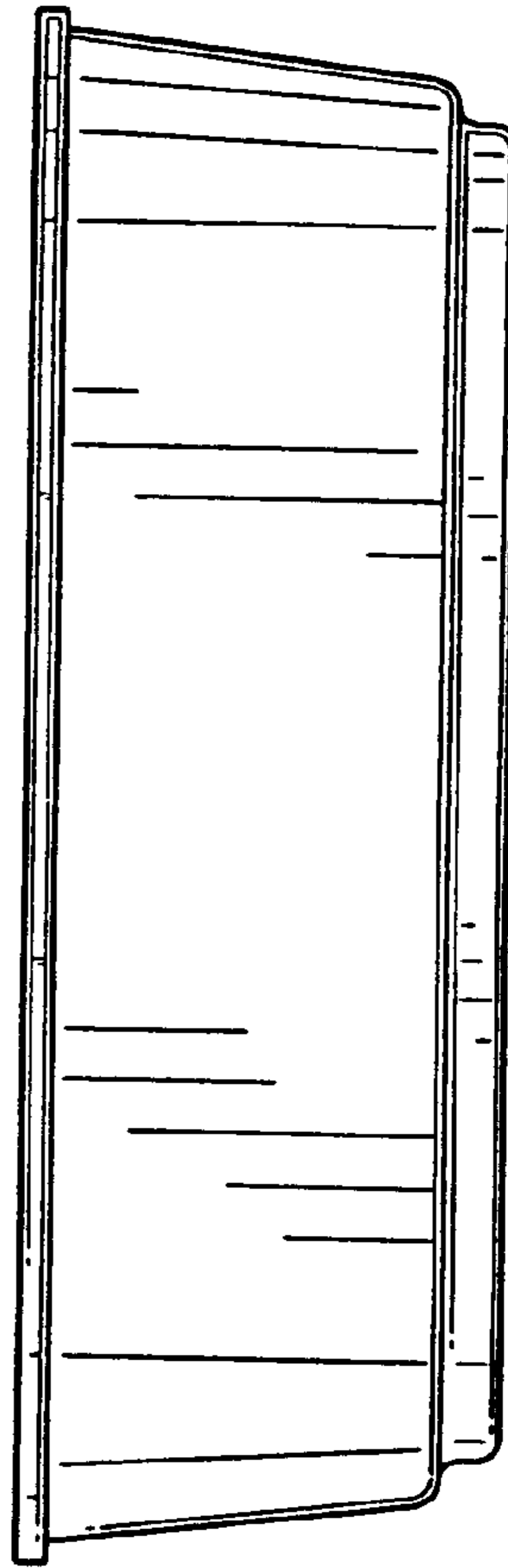


FIG. 3

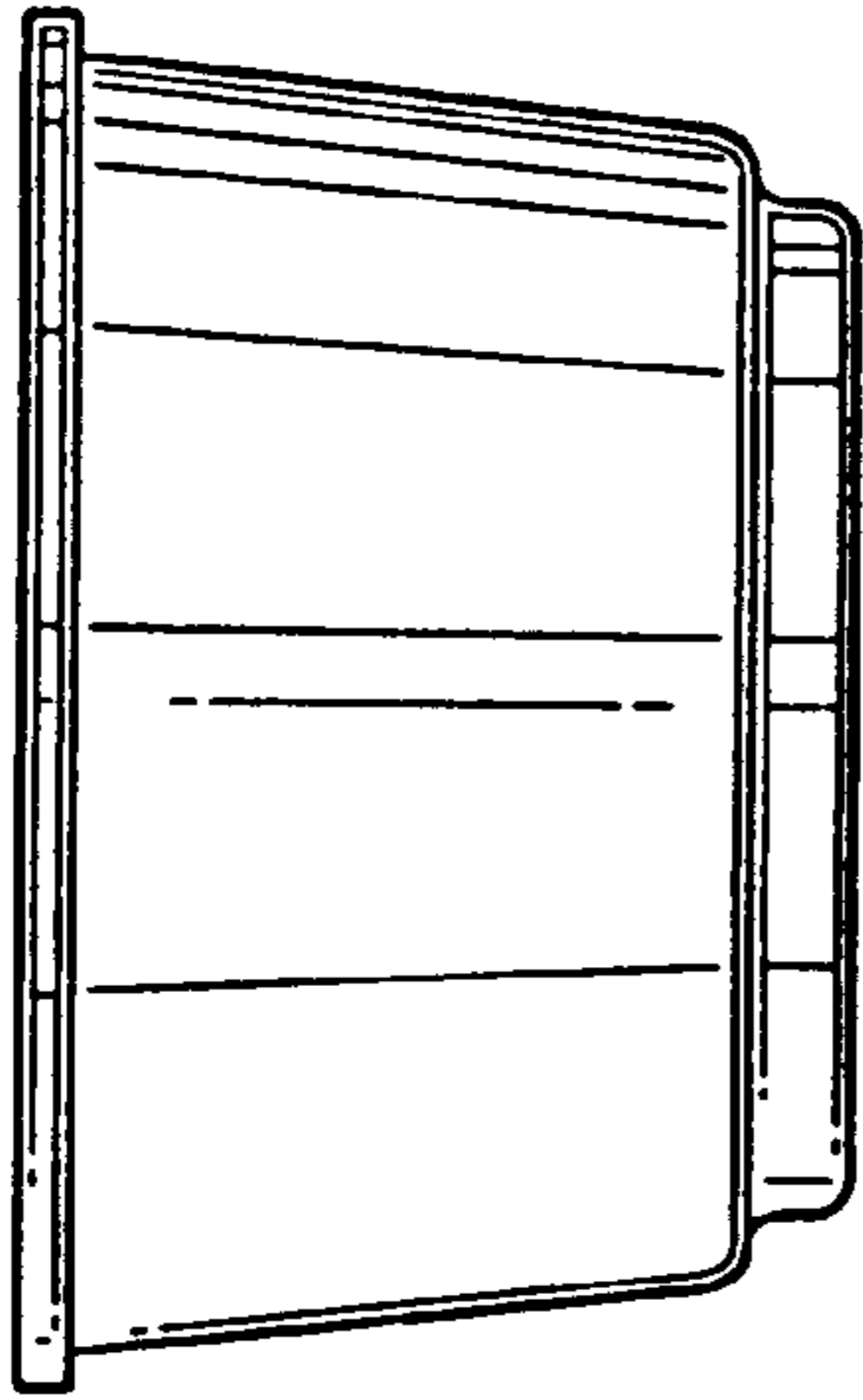


FIG. 4

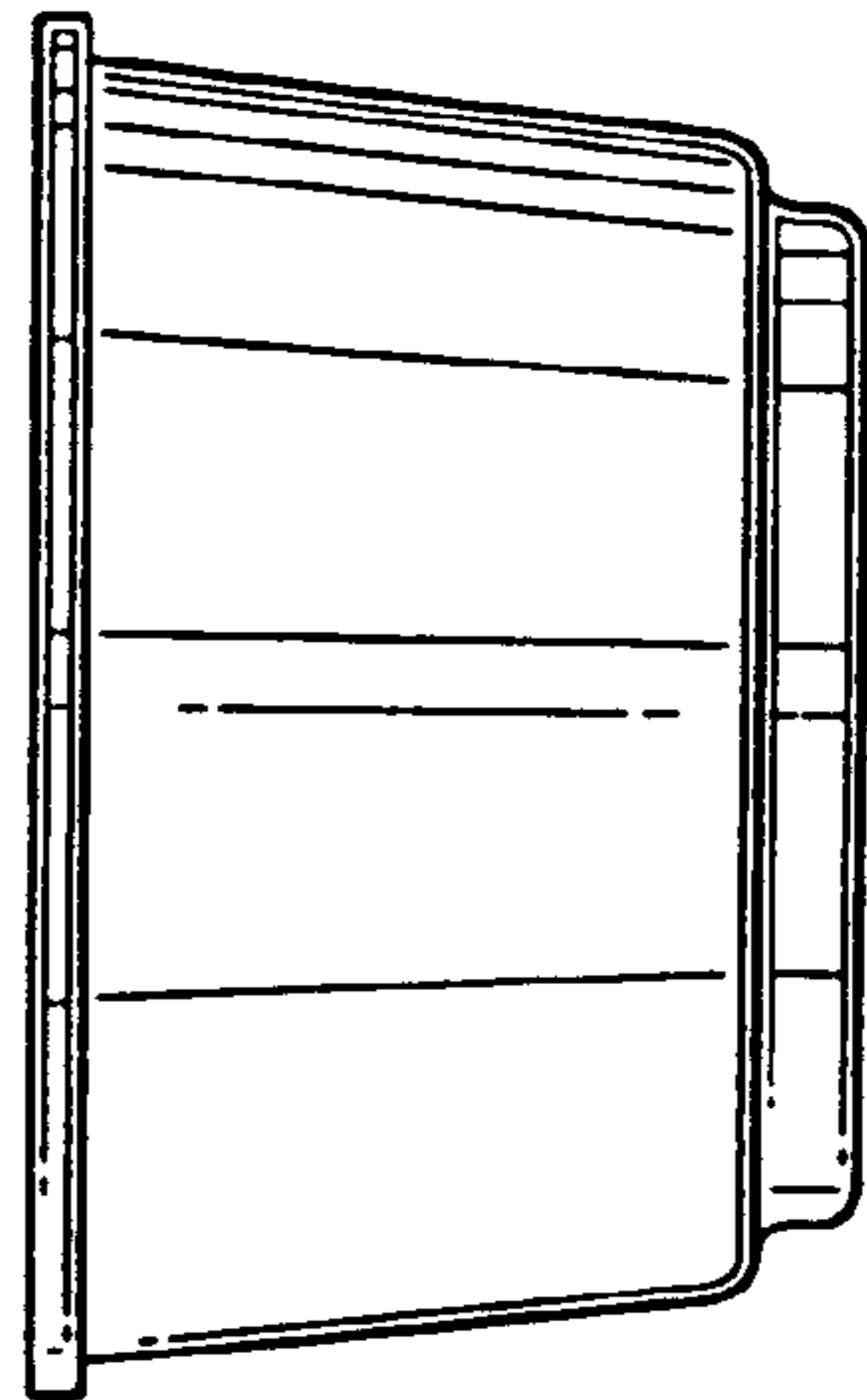


FIG. 5

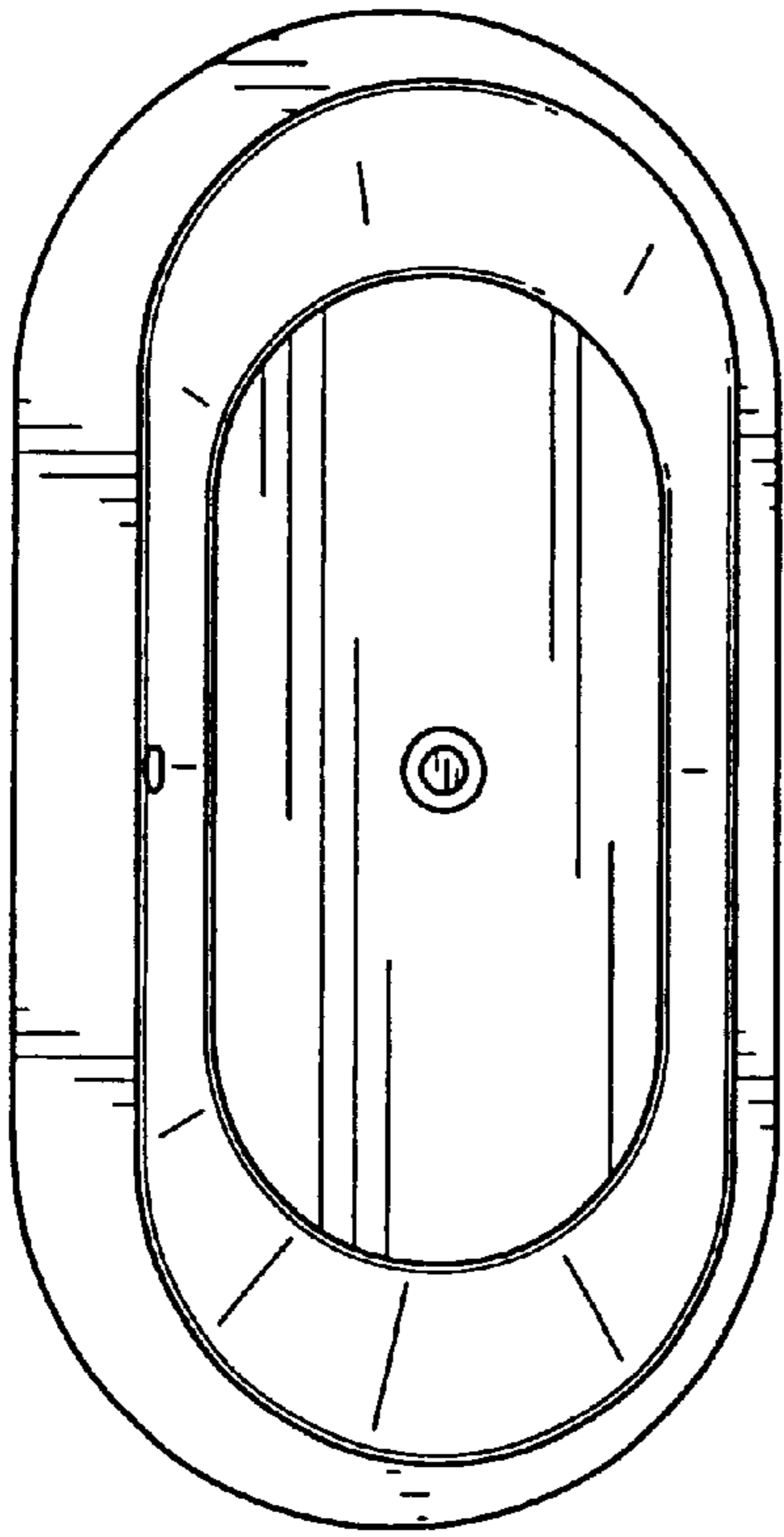


FIG. 6

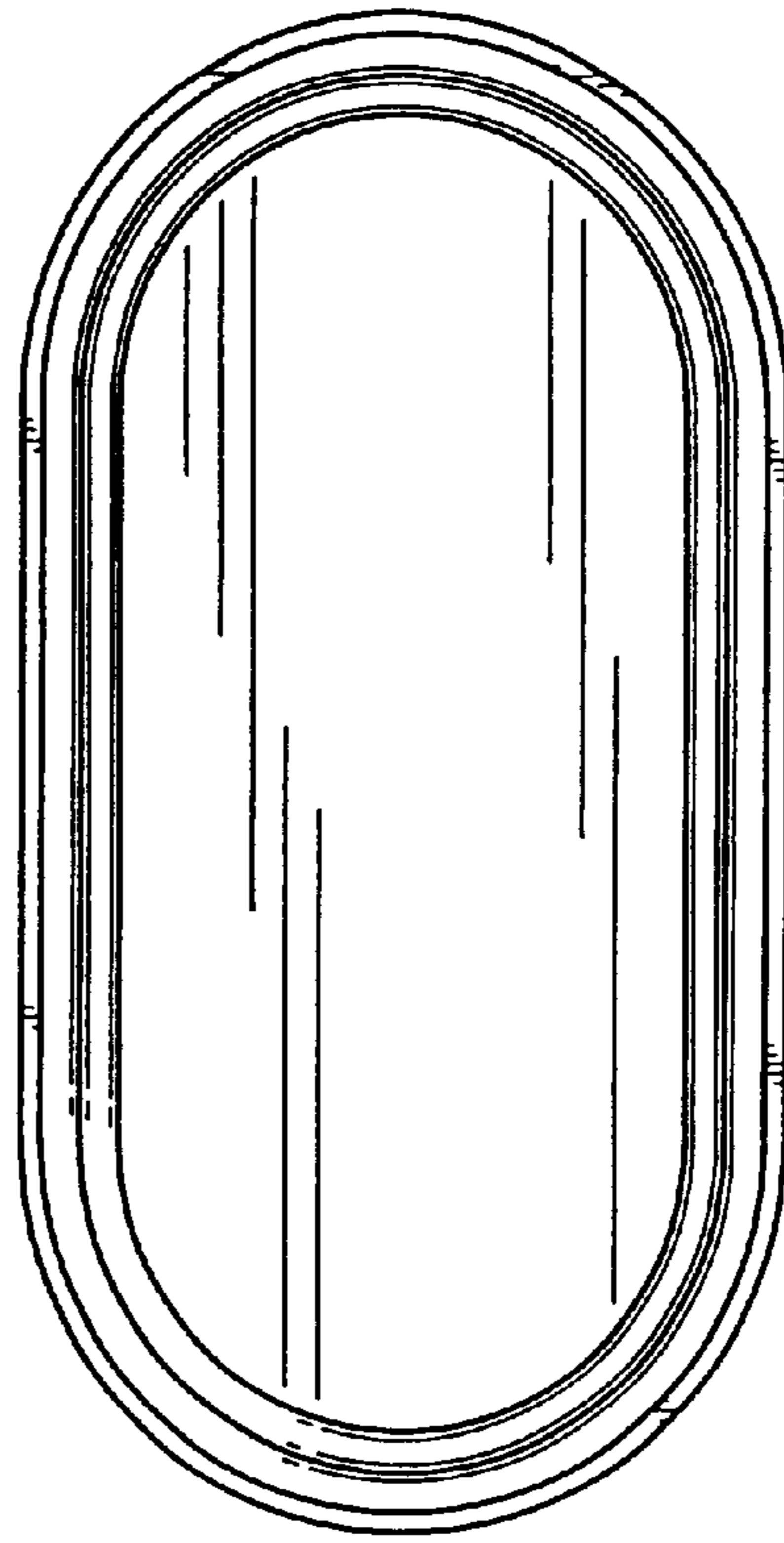


FIG. 7

UNITED STATES PATENT AND TRADEMARK OFFICE
CERTIFICATE OF CORRECTION

PATENT NO. : Des. 470,579 S
DATED : February 18, 2003
INVENTOR(S) : Norman Foster

Page 1 of 1

It is certified that error appears in the above-identified patent and that said Letters Patent is hereby corrected as shown below:

Title page,

Item [73], delete “(GB)” and insert -- (DE) --;

Item [60], delete “(GB)” and insert -- (DE) --.

Signed and Sealed this

Seventeenth Day of June, 2003

A handwritten signature in black ink, appearing to read "James E. Rogan", with a horizontal line underneath it.

JAMES E. ROGAN
Director of the United States Patent and Trademark Office

UNITED STATES PATENT AND TRADEMARK OFFICE
CERTIFICATE OF CORRECTION

PATENT NO. : Des. 470,579 S
DATED : February 18, 2003
INVENTOR(S) : Norman Foster

Page 1 of 1


It is certified that error appears in the above-identified patent and that said Letters Patent is hereby corrected as shown below:

Title page,

Item [73], delete "Schneidhausen (GB)" and insert -- Kreuzau (DE) --.

Signed and Sealed this

Twelfth Day of August, 2003

A handwritten signature in black ink, appearing to read "James E. Rogan", with a horizontal line drawn underneath it.

JAMES E. ROGAN
Director of the United States Patent and Trademark Office