



US00D470578S

(12) **United States Design Patent**
Boeltl

(10) **Patent No.:** **US D470,578 S**

(45) **Date of Patent:** **** Feb. 18, 2003**

(54) **TRAPWAY FOR A TOILET**

(75) Inventor: **Darryl Boeltl**, Whittier, CA (US)

(73) Assignee: **Acorn Engineering Company**, City of Industry, CA (US)

(**) Term: **14 Years**

(21) Appl. No.: **29/161,475**

(22) Filed: **May 30, 2002**

(51) **LOC (7) Cl.** **23-01**

(52) **U.S. Cl.** **D23/268**

(58) **Field of Search** D23/266, 268;
288/134.1, 135.2, 181; 4/351, 679, 681,
DIG. 16

(56) **References Cited**

U.S. PATENT DOCUMENTS

2,484,031	A	*	10/1949	Havrenius	4/679
2,593,734	A	*	4/1952	Davis	4/679
D202,096	S	*	8/1965	Parks	D23/268
D231,930	S	*	6/1974	Danks	D23/268
3,994,031	A	*	11/1976	Bishop	4/679
4,597,404	A	*	7/1986	Van Marcke	4/679
D386,569	S	*	11/1997	Trueb et al.	D23/268

* cited by examiner

Primary Examiner—Robin V. Taylor

(74) *Attorney, Agent, or Firm*—Michael Best & Friedrich LLP

(57) **CLAIM**

I claim the ornamental design for trapway for a toilet, as shown and described.

DESCRIPTION

FIG. 1 is a left perspective view of a trapway for a toilet embodying the invention.

FIG. 2 is a right perspective view of the trapway for a toilet shown in FIG. 1.

FIG. 3 is a front view of the trapway for a toilet shown in FIG. 1.

FIG. 4 is a bottom view of the trapway for a toilet shown in FIG. 1.

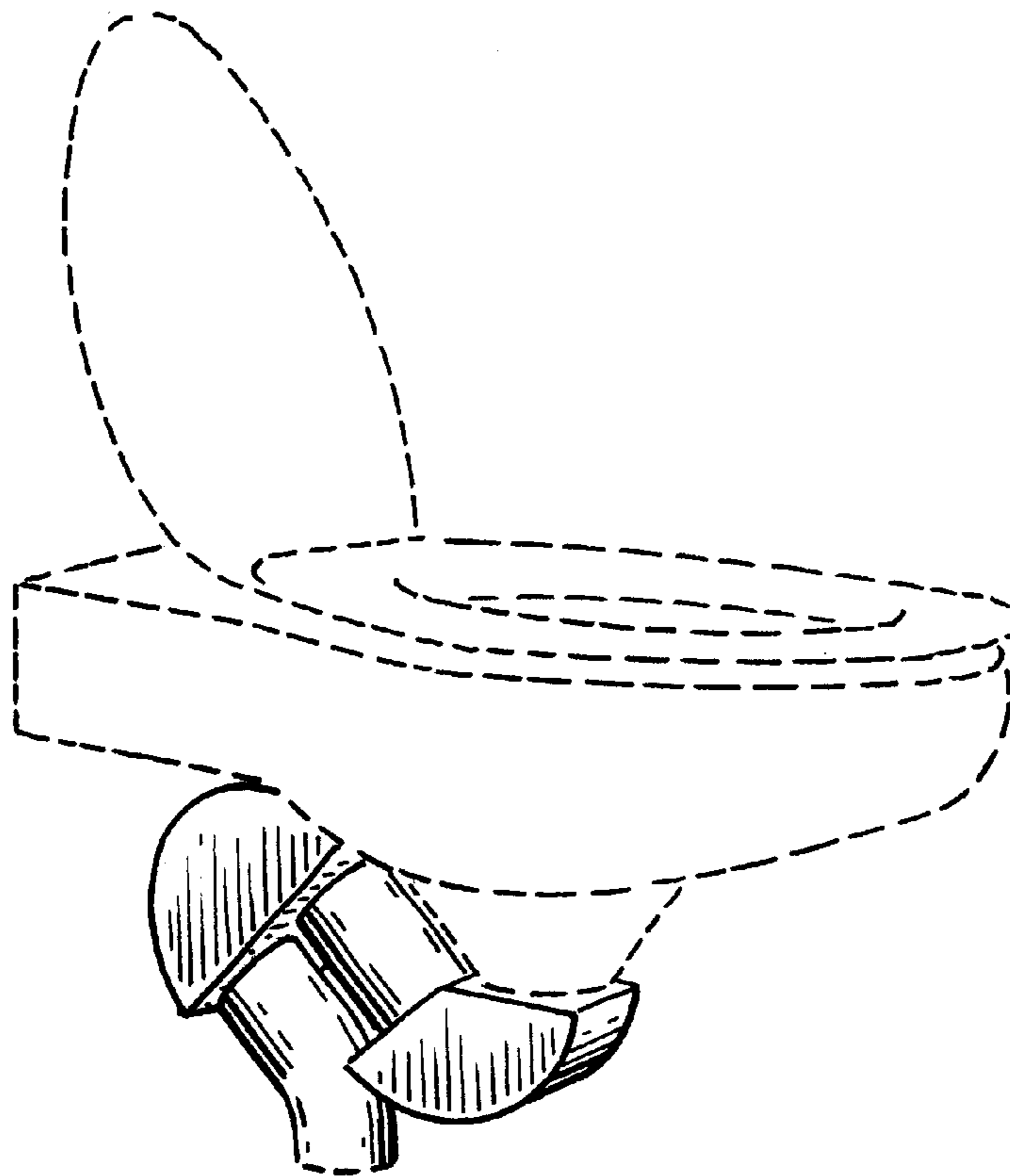
FIG. 5 is a rear view of the trapway for a toilet shown in FIG. 1.

FIG. 6 is a left side view of the trapway for a toilet shown in FIG. 1; and,

FIG. 7 is a right side view of the trapway for a toilet shown in FIG. 1.

The broken line showing of the environment is for illustrative purposes only and forms no part of the claimed design. The broken lines which define the boundaries of the claimed design form no part thereof.

1 Claim, 3 Drawing Sheets



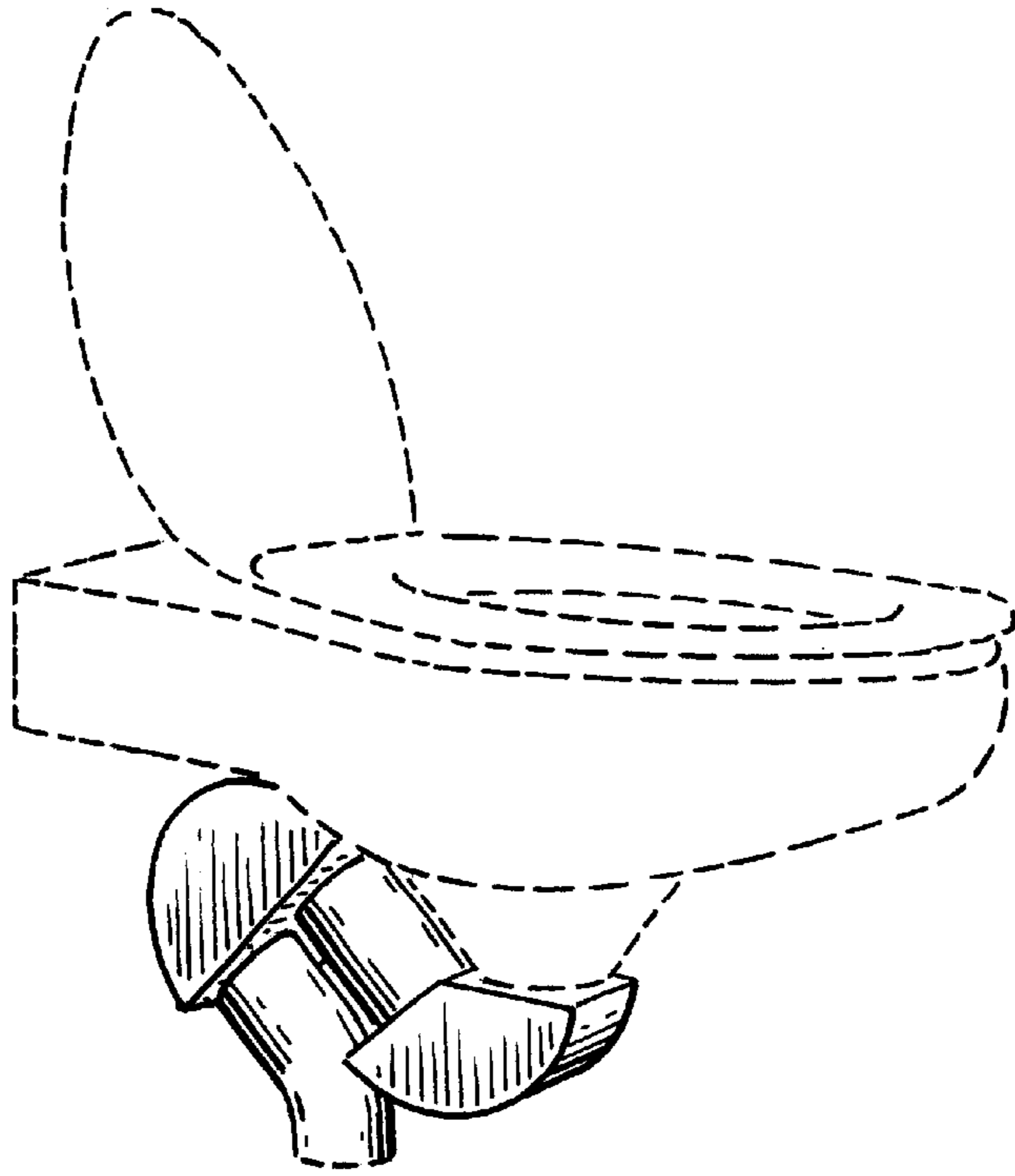


Fig. 2

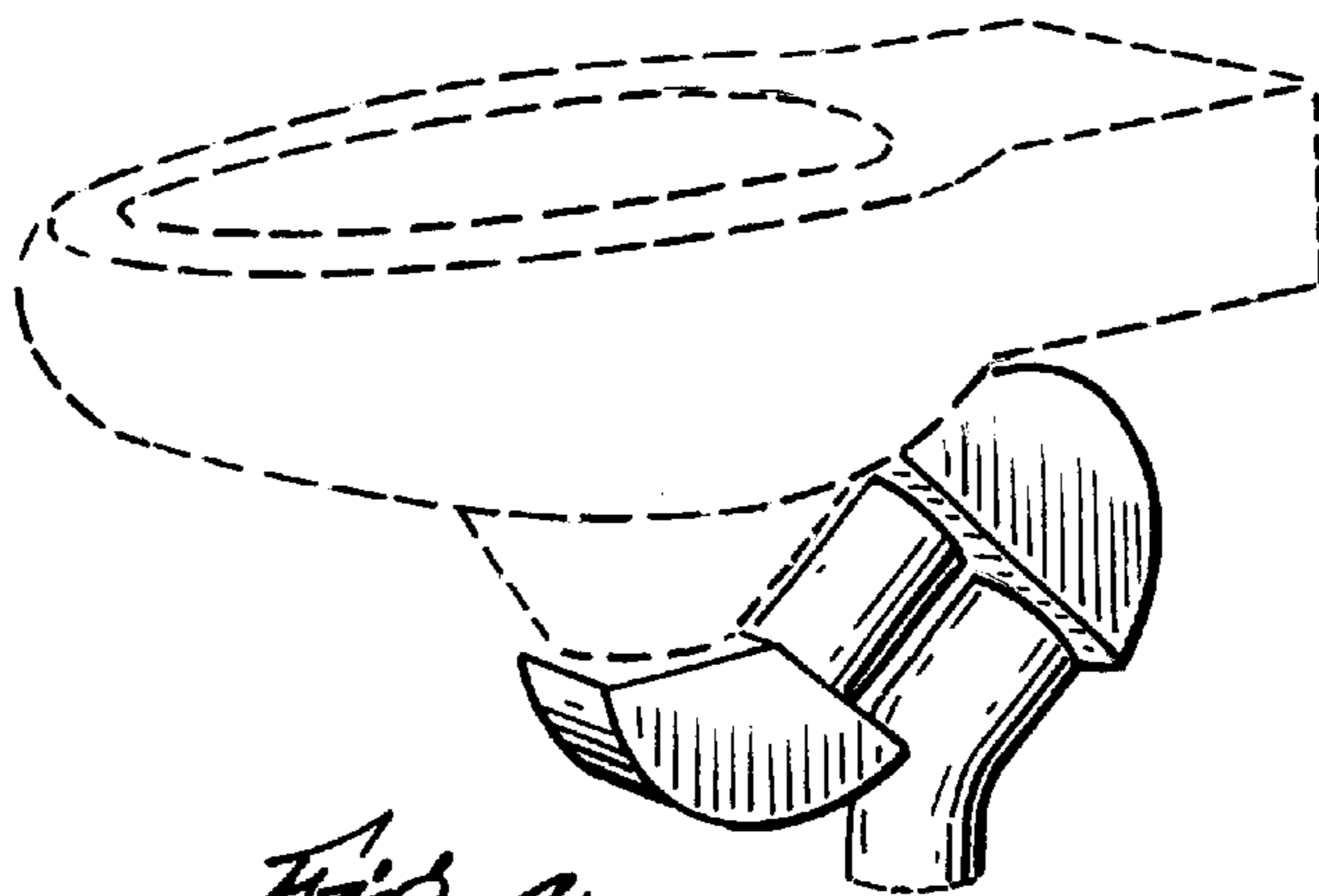


Fig. 2'

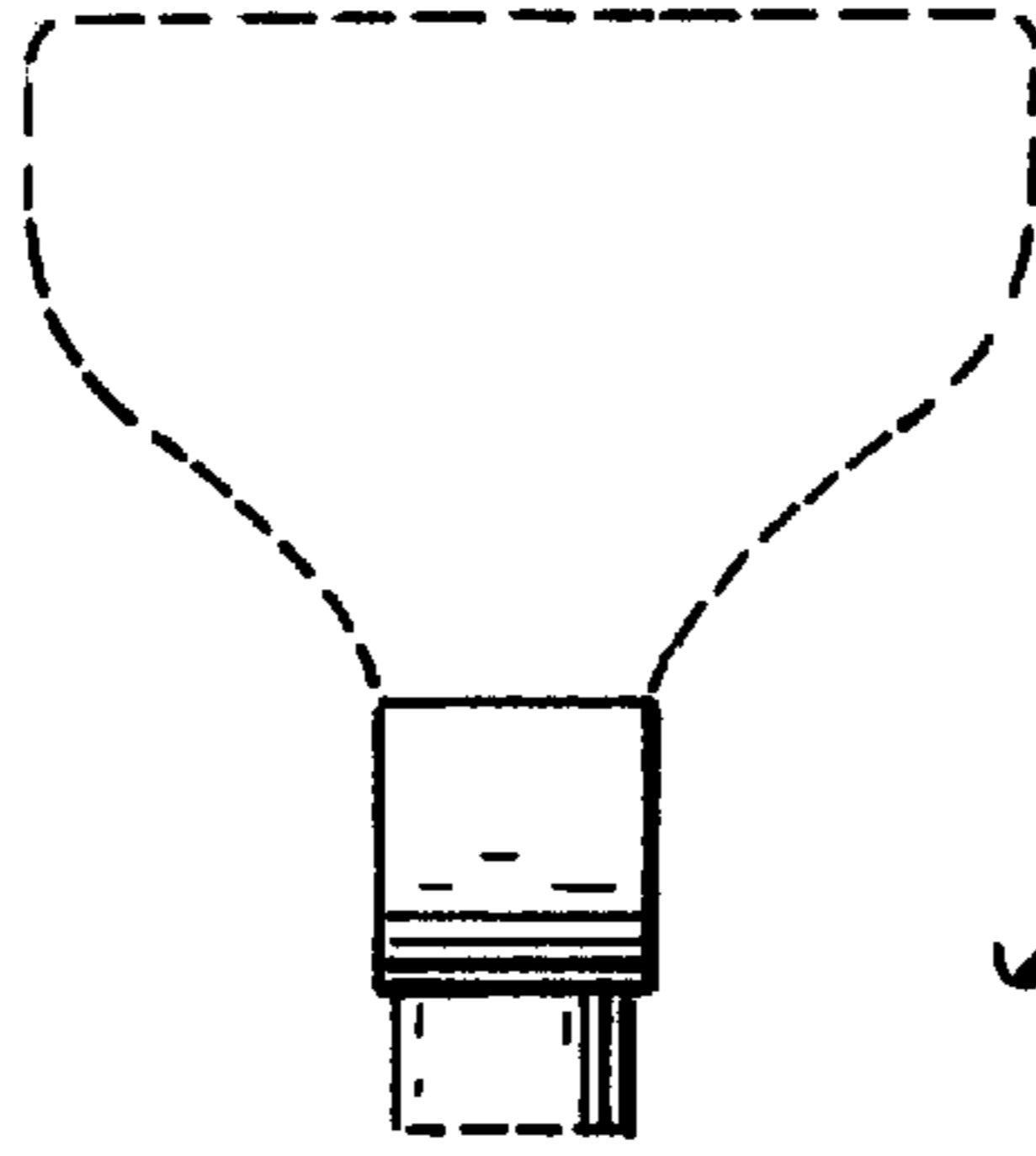


Fig. 3

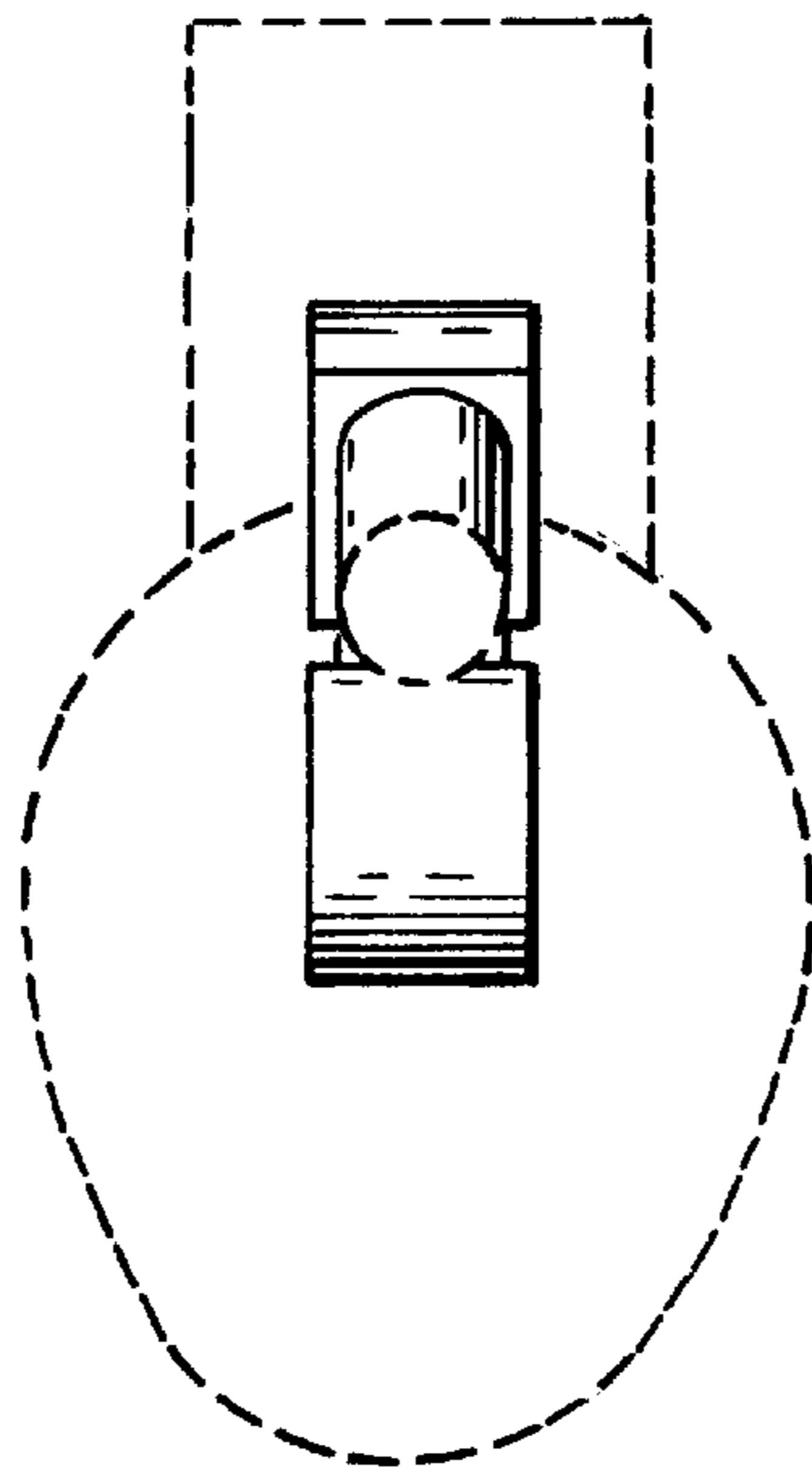


Fig. 4

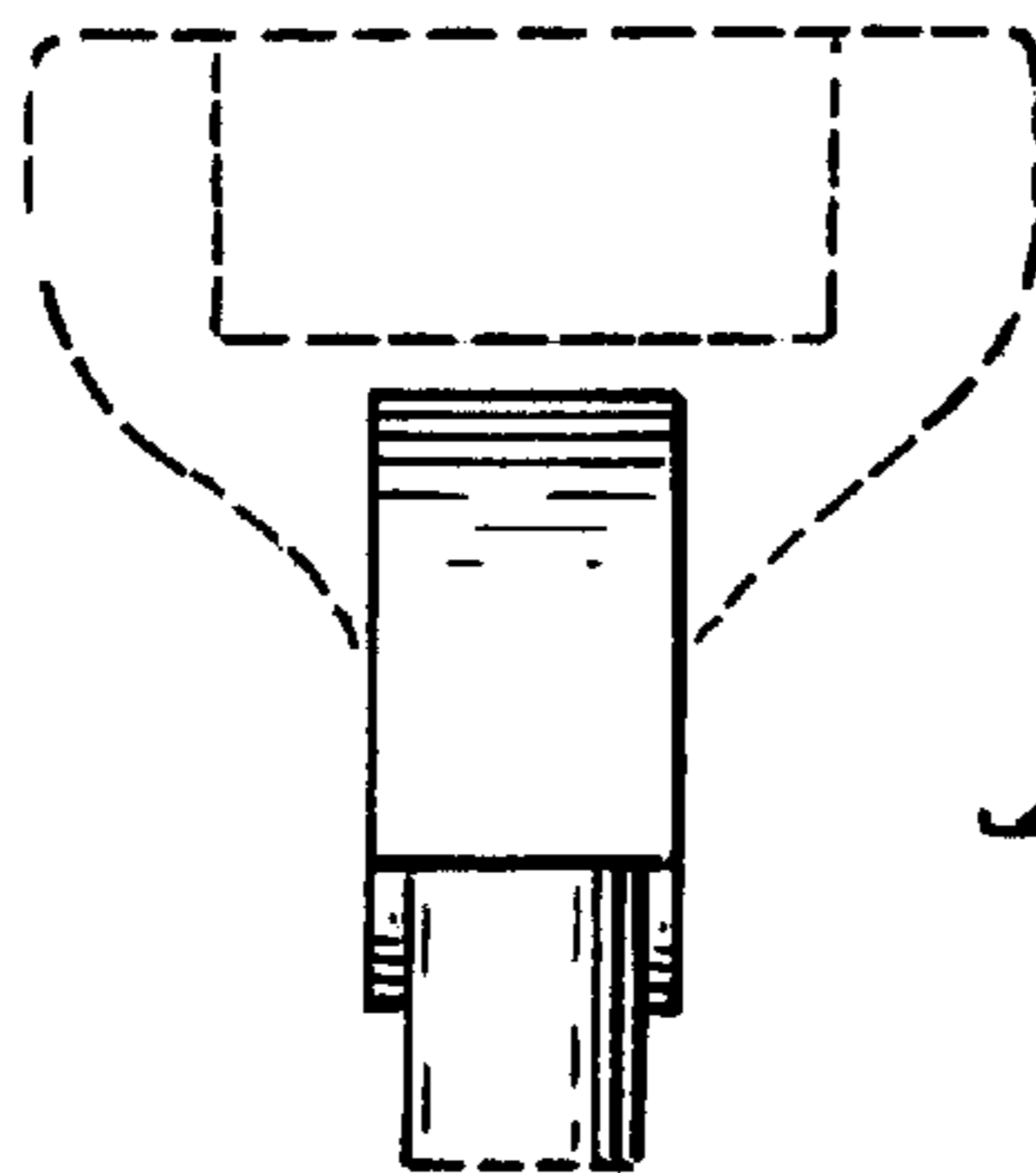


Fig. 5

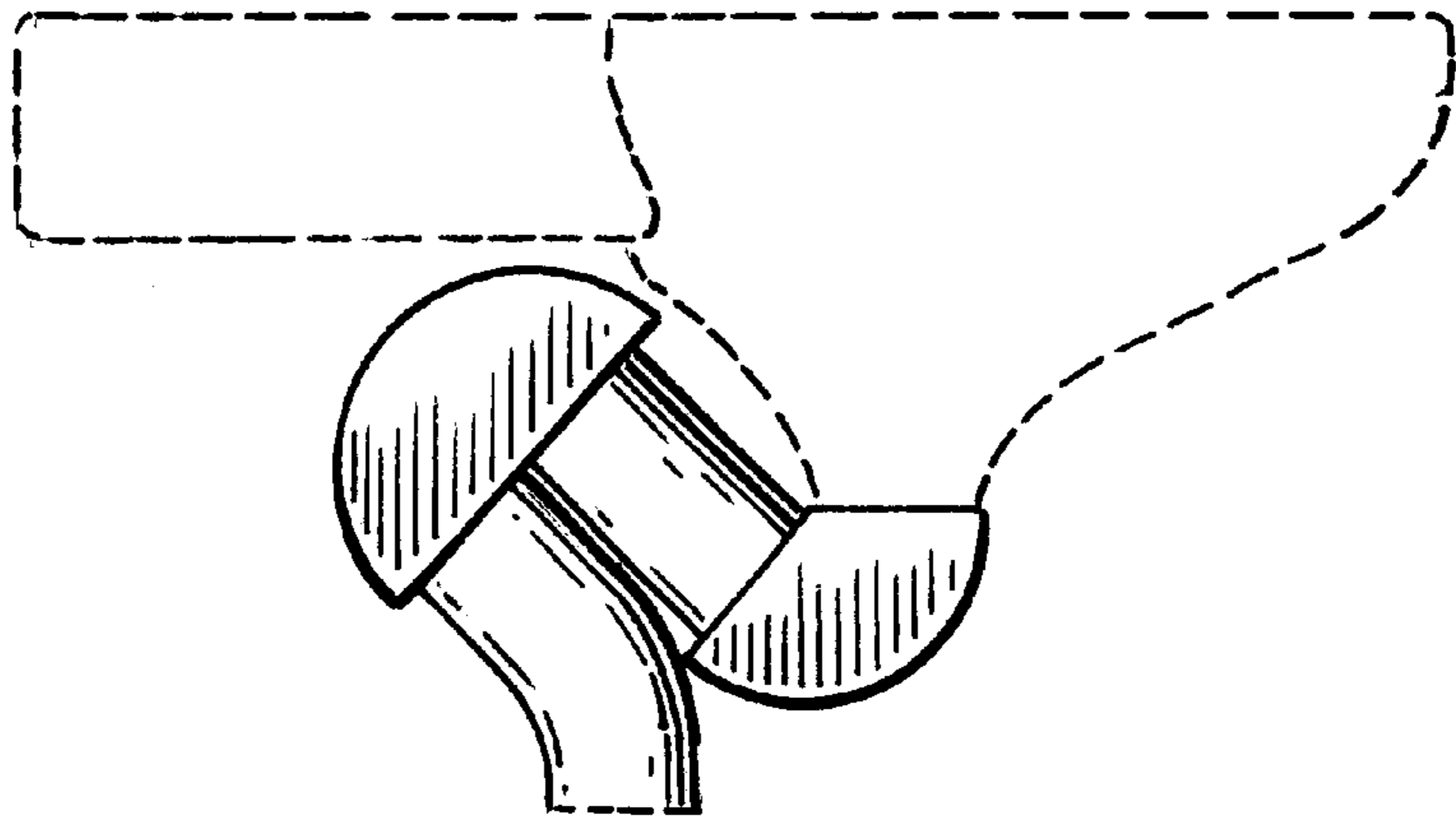


Fig. 6

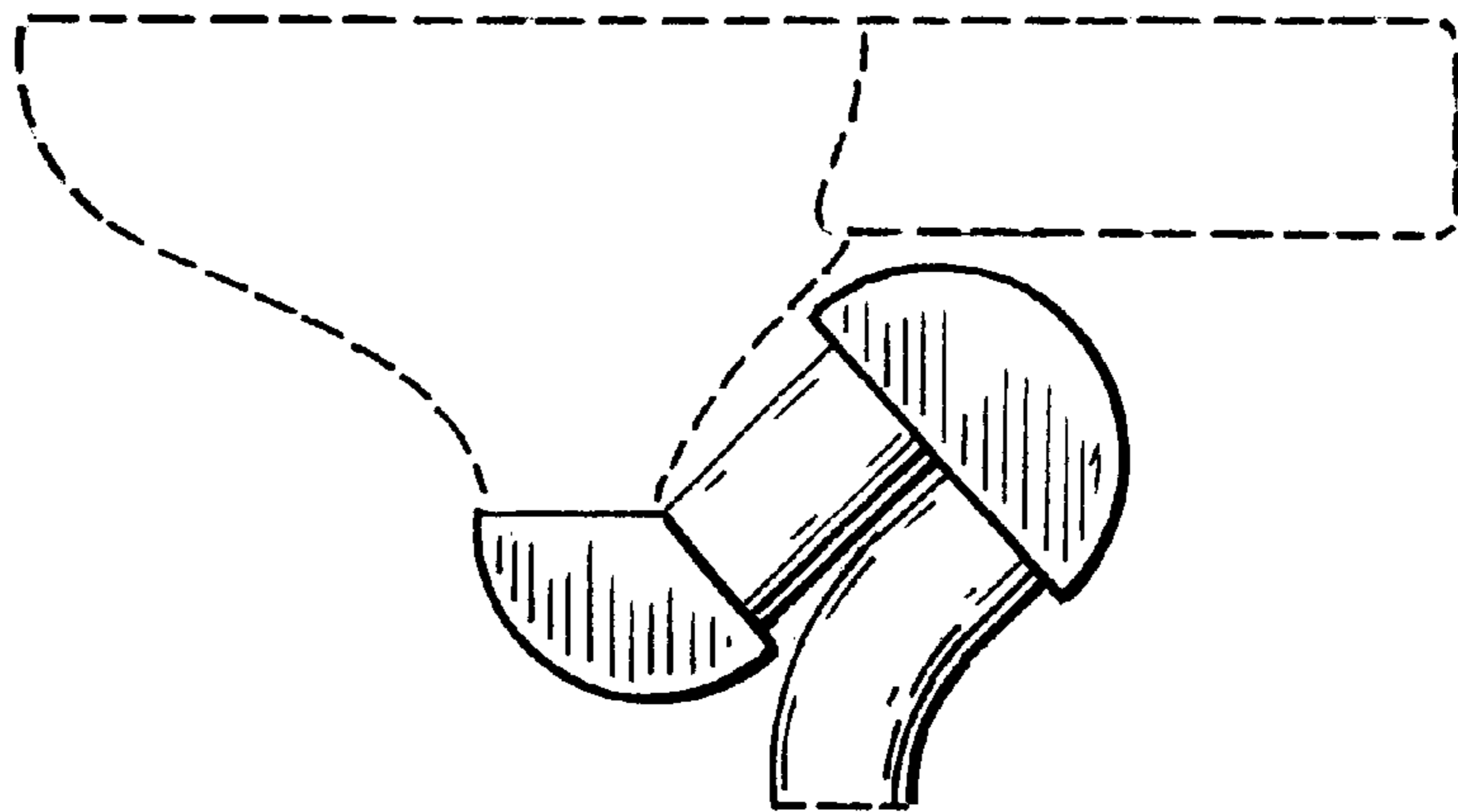


Fig. 7