



US00D470572S

(12) **United States Design Patent**
Parrette

(10) **Patent No.:** **US D470,572 S**

(45) **Date of Patent:** **** Feb. 18, 2003**

(54) **FAUCET**

(76) **Inventor:** **Robert N. Parrette**, 52 Bergandahl Dr.,
Griswold, CT (US) 06351

(**) **Term:** **14 Years**

(21) **Appl. No.:** **29/161,243**

(22) **Filed:** **May 24, 2002**

(51) **LOC (7) Cl.** **23-01**

(52) **U.S. Cl.** **D23/242; D23/241; D23/238;**
D23/251; D23/256

(58) **Field of Search** D7/300-304, 312-317,
D7/398; D21/538, 432; D23/215, 222, 251,
256, 241, 238, 242; 4/675-678; 137/801

(56) **References Cited**

U.S. PATENT DOCUMENTS

D298,161 S	*	10/1988	Garcia	D23/241
D389,536 S	*	1/1998	Mira Verdu	D21/538
D428,068 S	*	7/2000	Lerch	D21/432
6,226,812 B1	*	5/2001	Ker	4/615
D461,223 S	*	8/2002	Duncan et al.	D23/215

OTHER PUBLICATIONS

Custom Chrome Parts Catalog, 2000, Sec. 2, 2.06, Sec. 5,
pp. 5.01, 5.04-5.05, 5.21-5.28, 5.35-5.40, 5.42 Sec. 16, p.
16.01-16.06, 16.08-16.11, 16.30, 16.42-16.46, 16.48.

Chrome Specialties Catalog, 2000, pp. 148, 150.

Mr. Lucky Flier—"The Jammer Digger", 2000.

Rack'em Up—"The Jammer Chopper", 2000.

* cited by examiner

Primary Examiner—Louis S. Zarfes

Assistant Examiner—Gregory Andoll

(74) *Attorney, Agent, or Firm*—McCormick, Paulding &
Huber LLP

(57) **CLAIM**

The ornamental design for a faucet, as shown and described.

DESCRIPTION

FIG. 1 is a front view of my faucet;

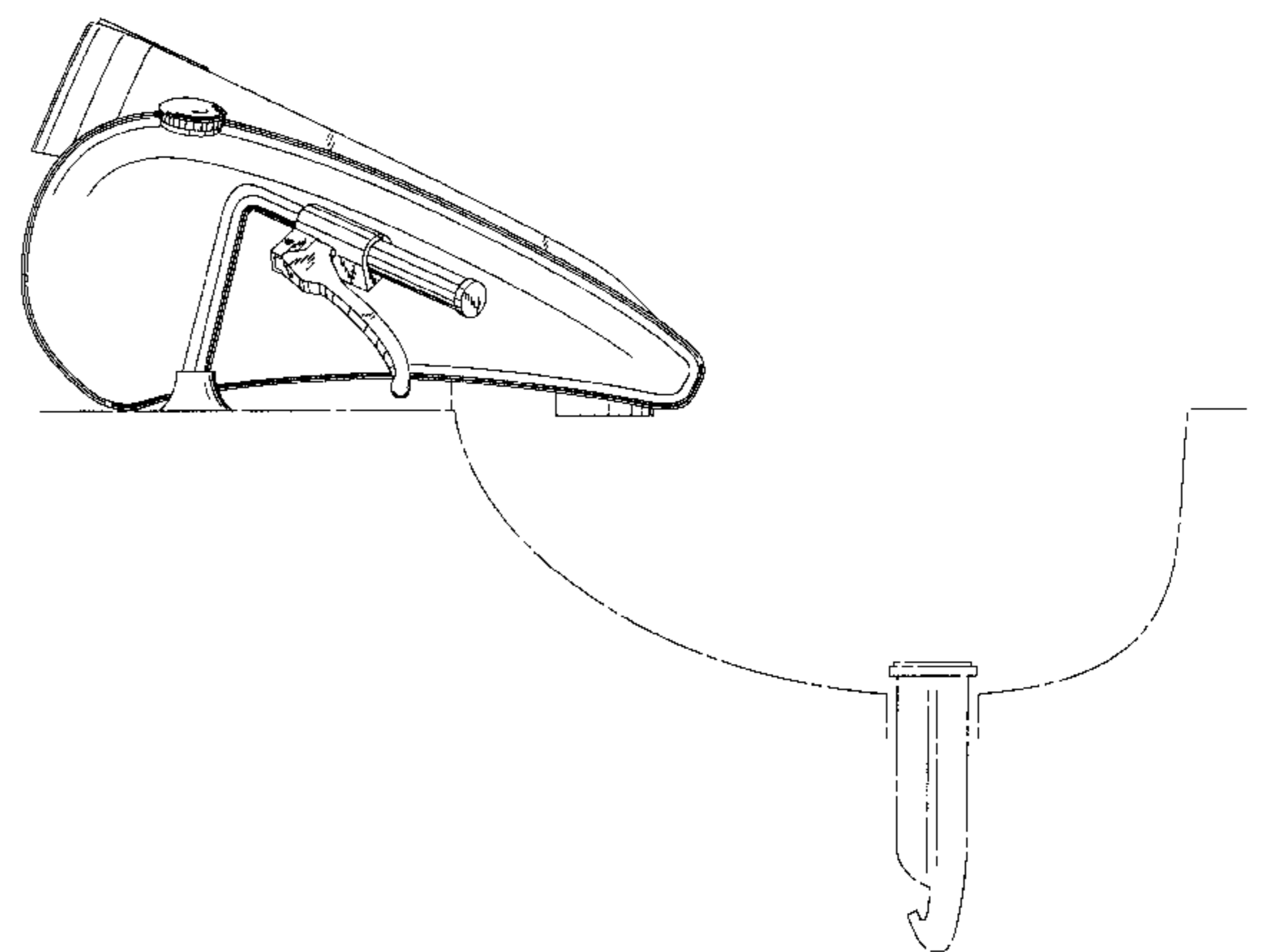
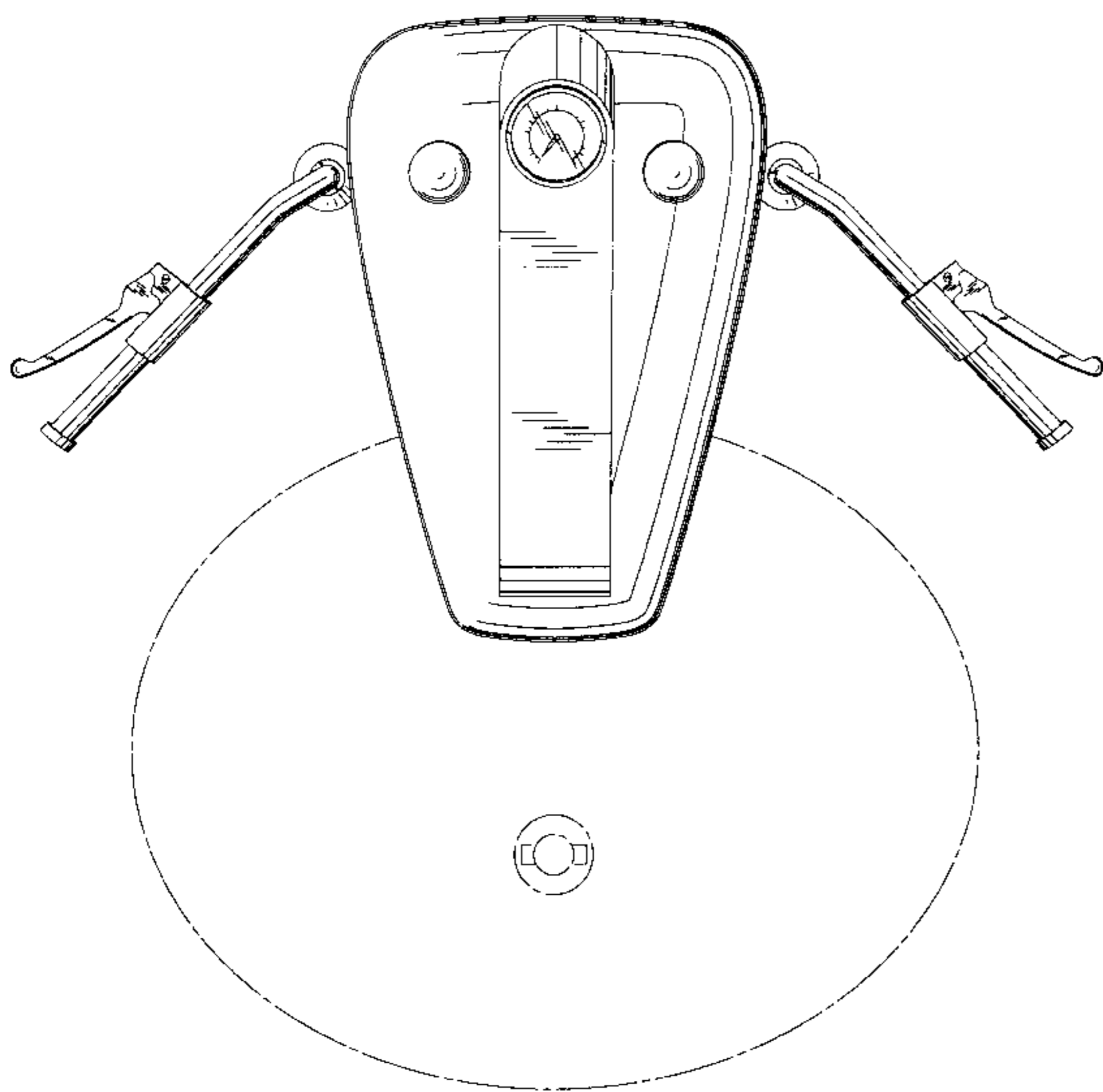
FIG. 2 is a rear view of my faucet as shown in FIG. 1;

FIG. 3 is a top view of my faucet as shown in FIG. 1; and,

FIG. 4 is a left side view of my faucet as shown in FIG. 1,
the right side view being a mirror image.

The broken lines in the Figures are for illustrative purposes
only and form no part of the claimed design.

1 Claim, 4 Drawing Sheets



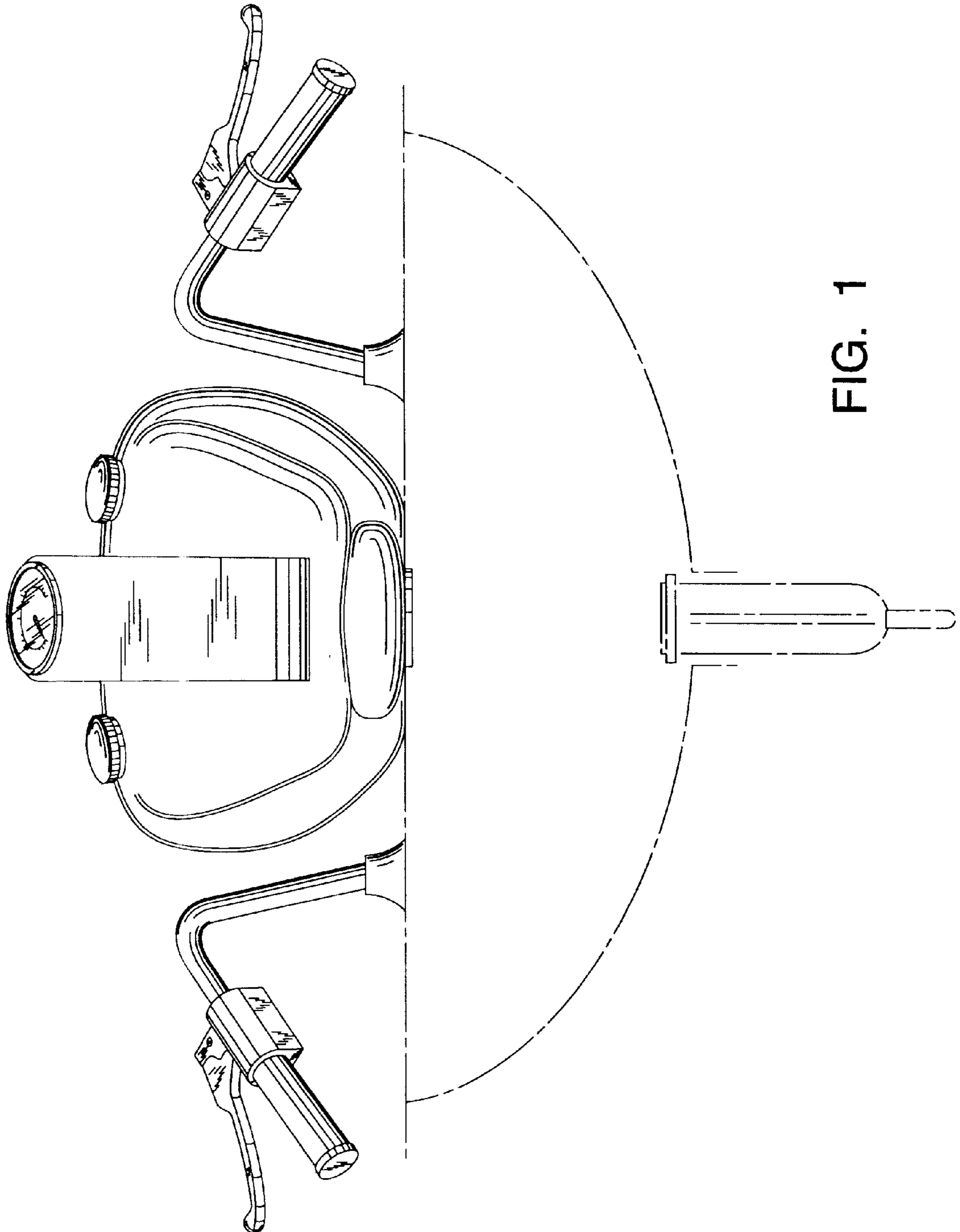


FIG. 1

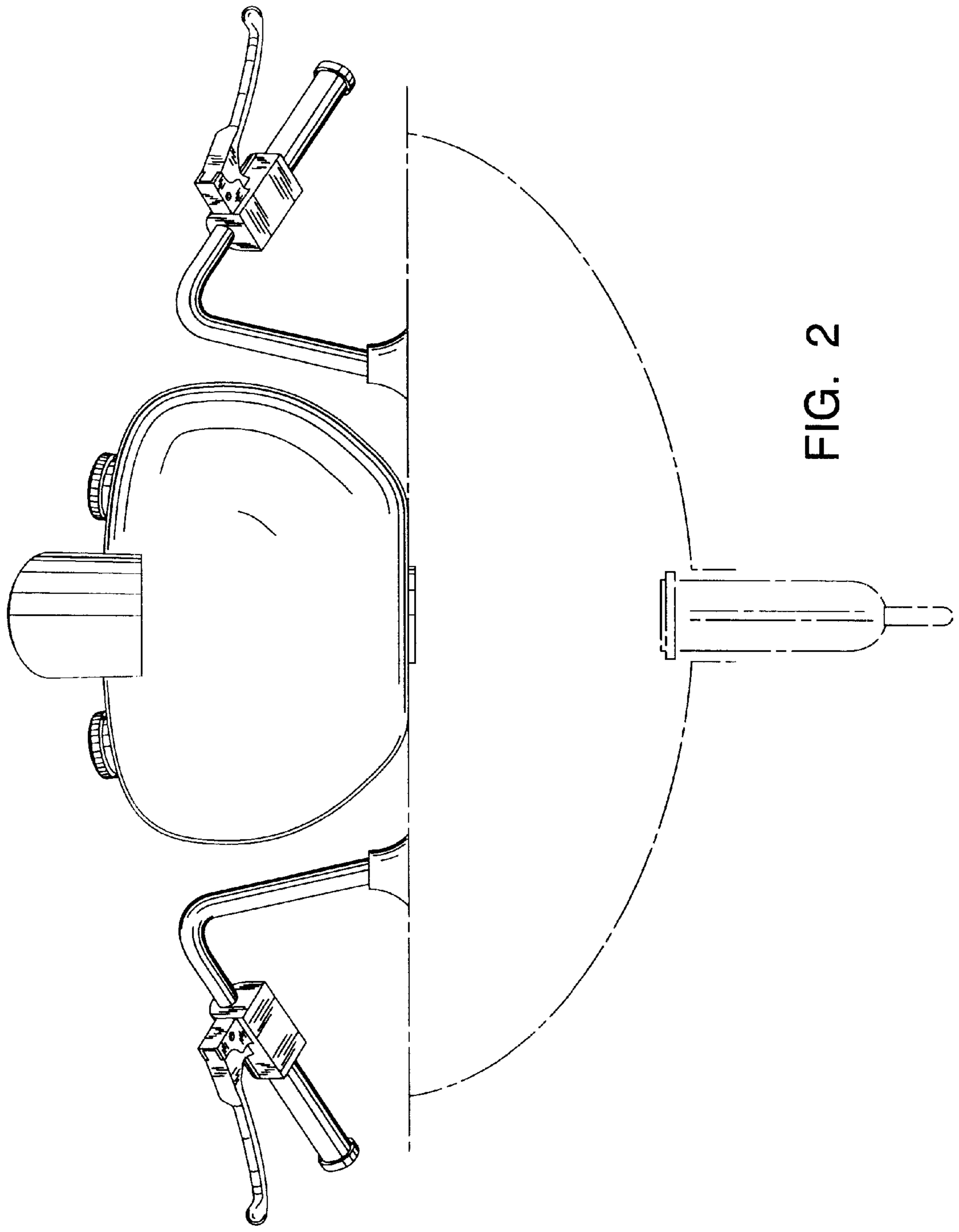


FIG. 2

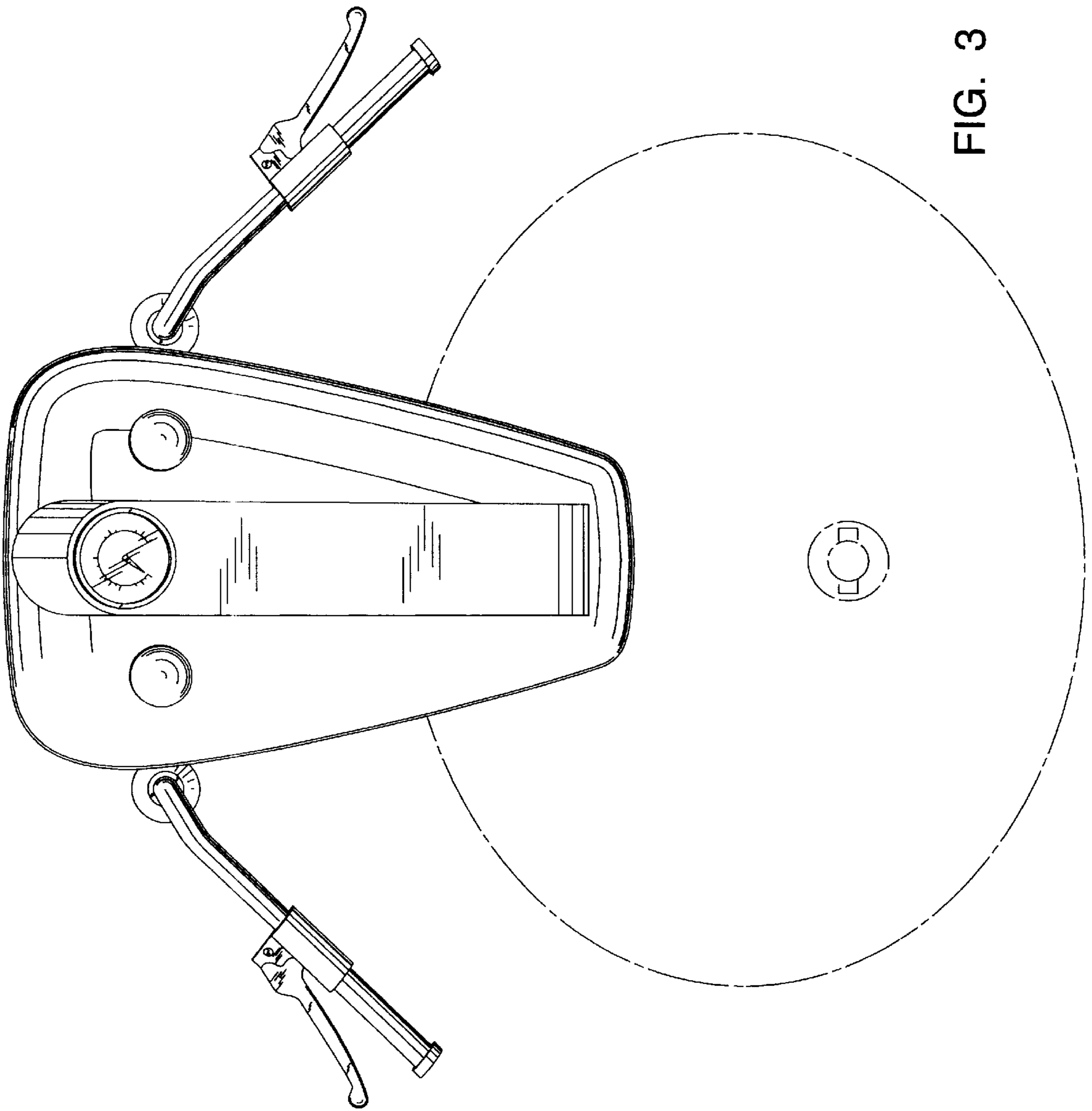


FIG. 3

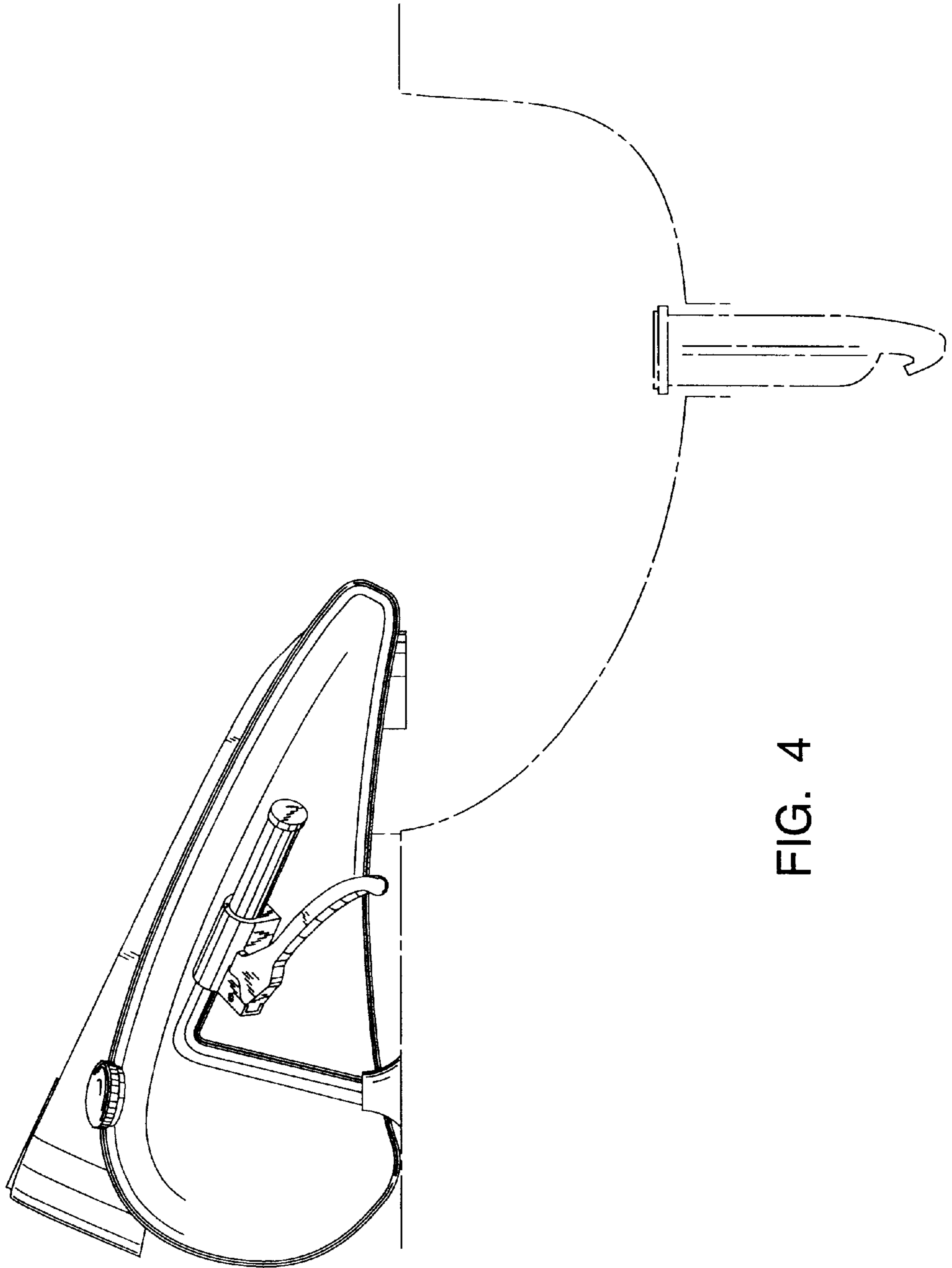


FIG. 4