



US00D470569S

(12) **United States Design Patent**
Chen

(10) **Patent No.:** **US D470,569 S**

(45) **Date of Patent:** **** Feb. 18, 2003**

(54) **SQUIRT GUN**

(76) **Inventor:** **Zhi-Ren Chen**, P.O. Box No. 6-57,
Chung-Ho, Taipei 235 (TW)

(**) **Term:** **14 Years**

(21) **Appl. No.:** **29/162,285**

(22) **Filed:** **Jun. 14, 2002**

(51) **LOC (7) Cl.** **23-01**

(52) **U.S. Cl.** **D23/225; D23/226**

(58) **Field of Search** **D23/213, 223,**
D23/226, 225; 239/525-528, 302, 308,
310, 316, 317

(56) **References Cited**

U.S. PATENT DOCUMENTS

D318,317 S * 7/1991 Norman D23/225
5,875,971 A * 3/1999 Morck 239/526

D419,641 S * 1/2000 Wilson D23/223
D442,671 S * 5/2001 Chih D23/223

* cited by examiner

Primary Examiner—Robin V. Taylor

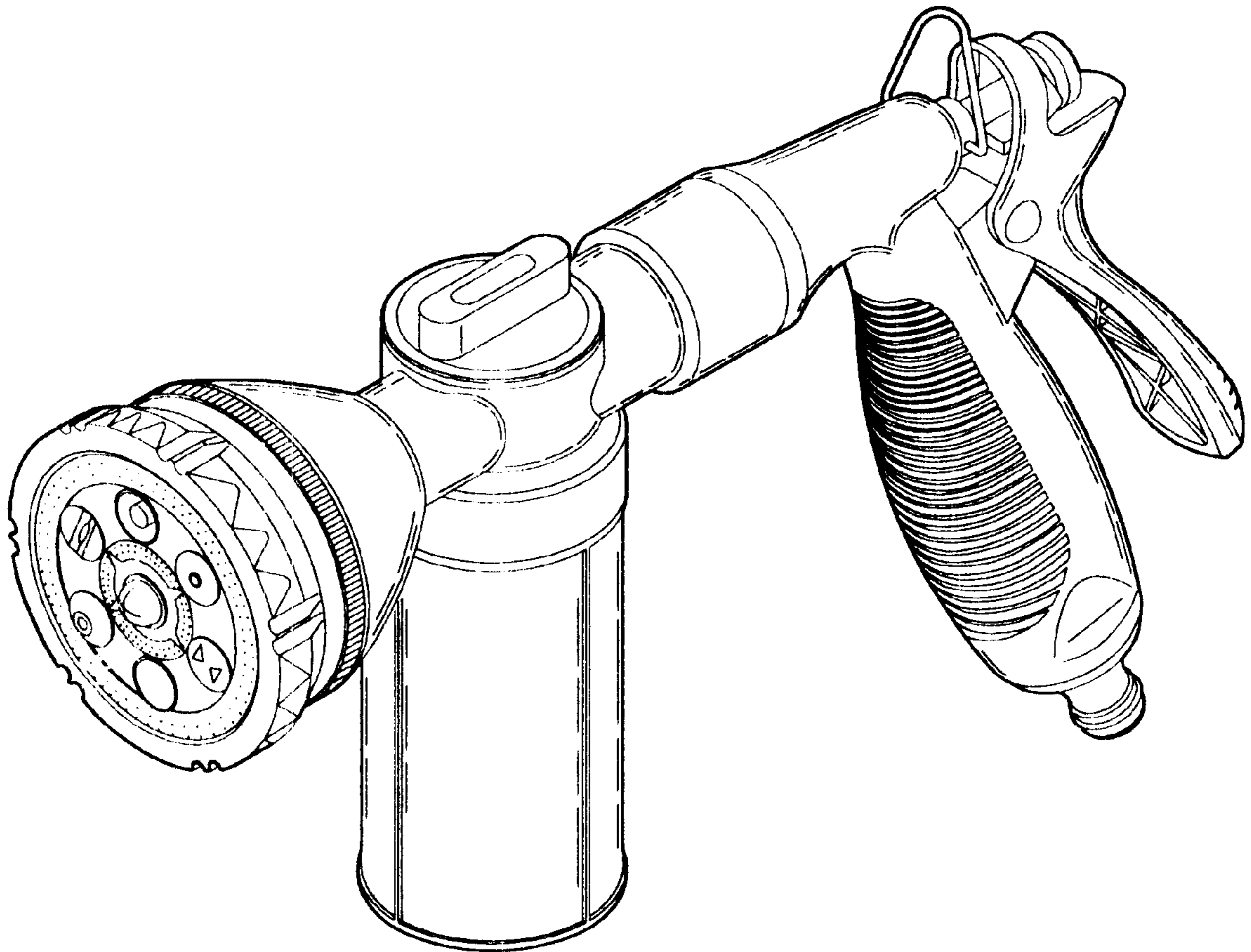
(57) **CLAIM**

The ornamental design for a squirt gun, as shown and described.

DESCRIPTION

FIG. 1 is a perspective view thereof;
FIG. 2 is a front view thereof;
FIG. 3 is a back view thereof;
FIG. 4 is a right side view thereof;
FIG. 5 is a left side view thereof;
FIG. 6 is a top view thereof; and,
FIG. 7 is a bottom view thereof.

1 Claim, 4 Drawing Sheets



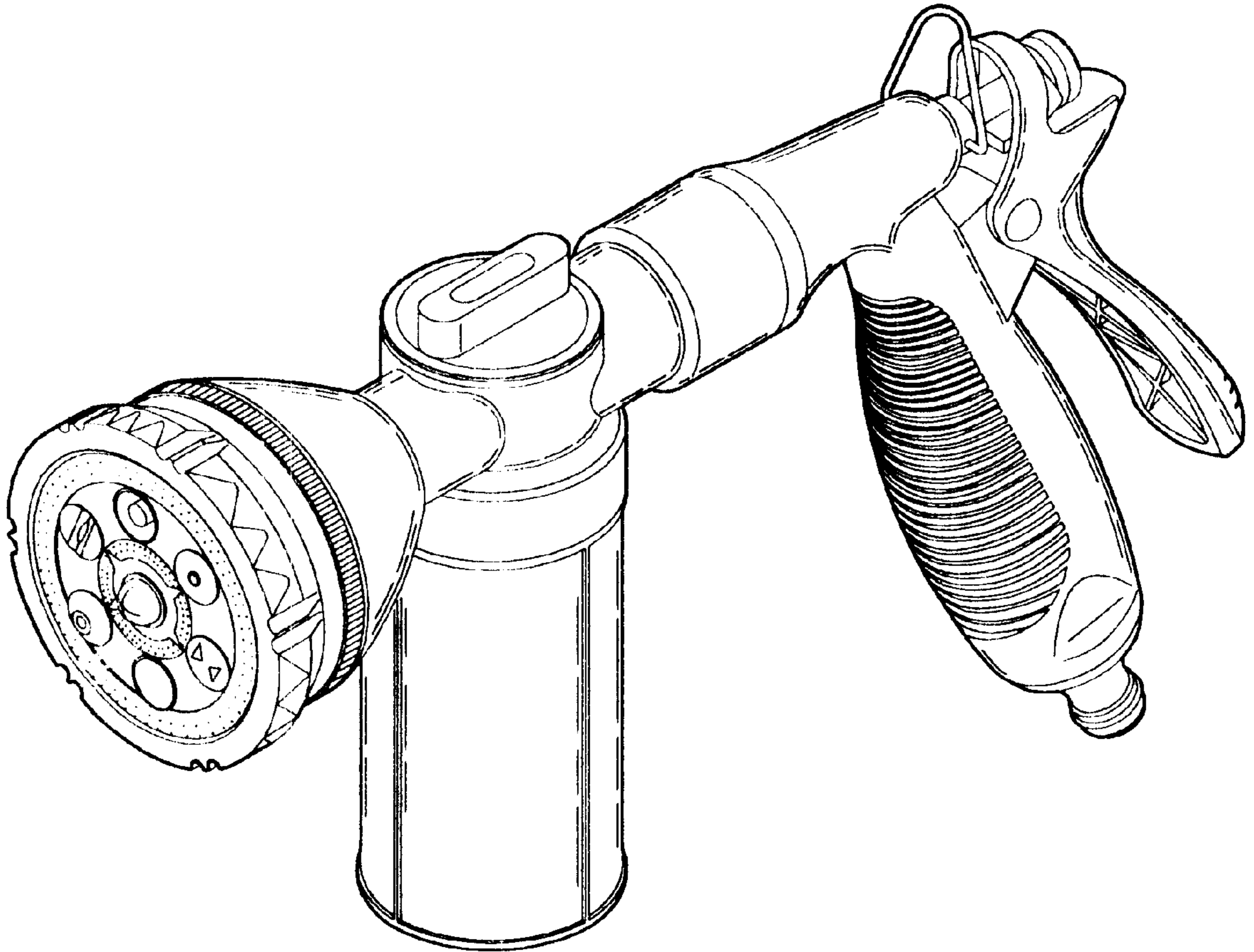


FIG 1

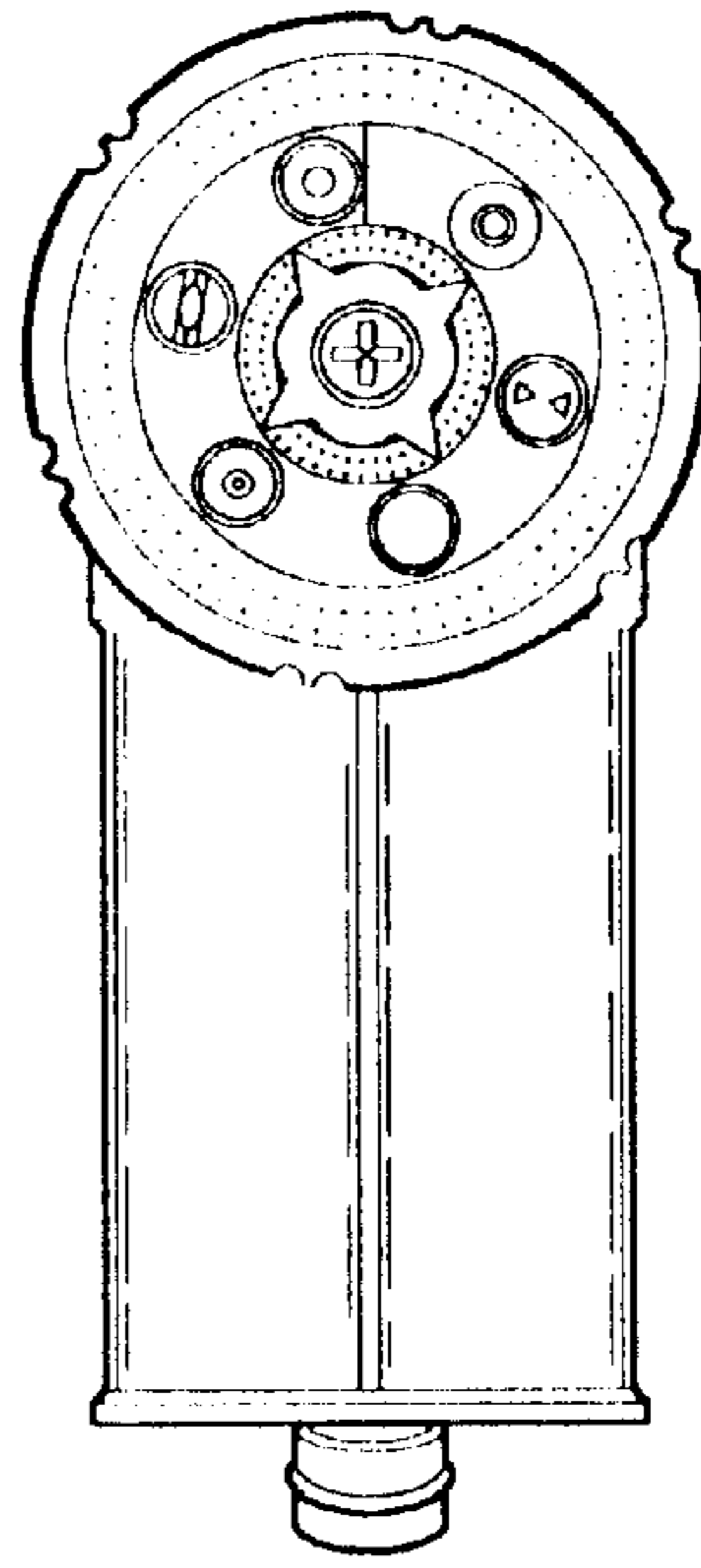


FIG 2

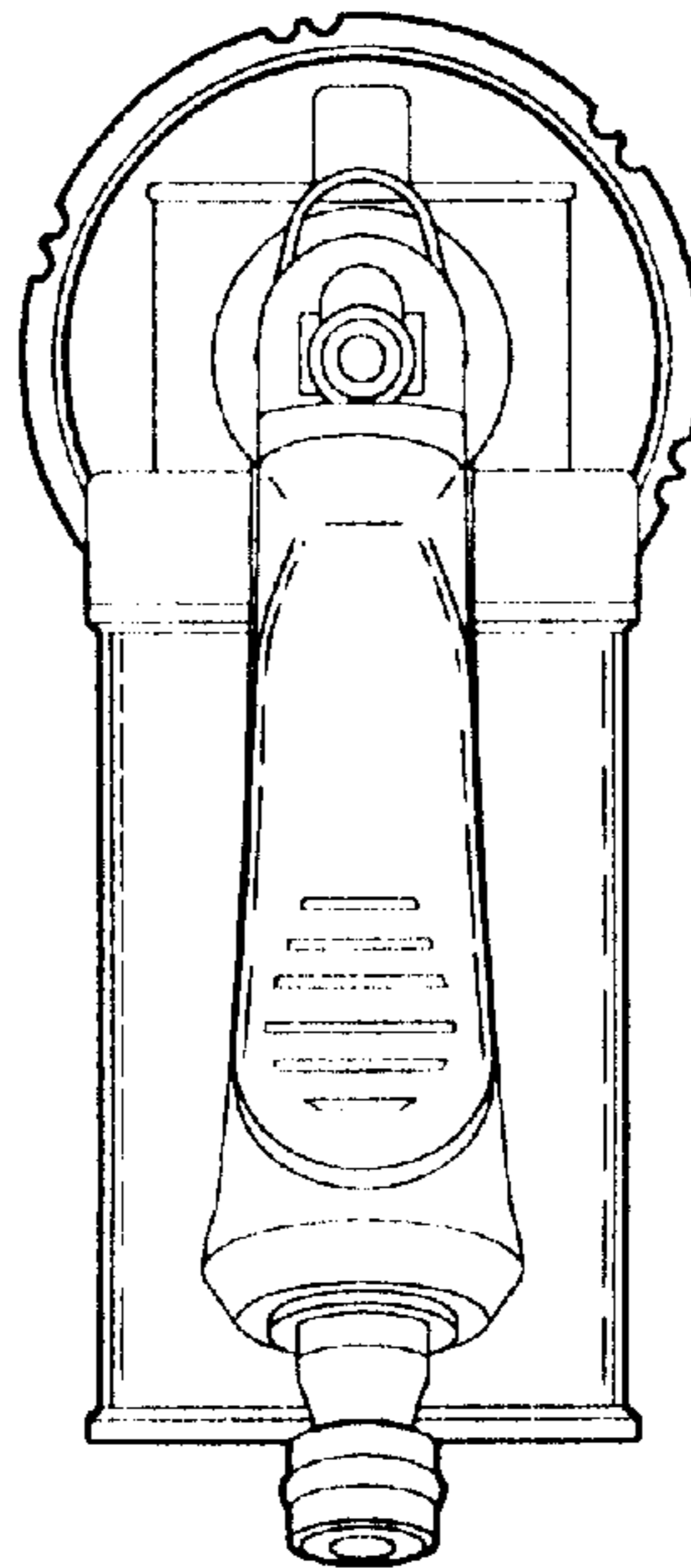


FIG 3

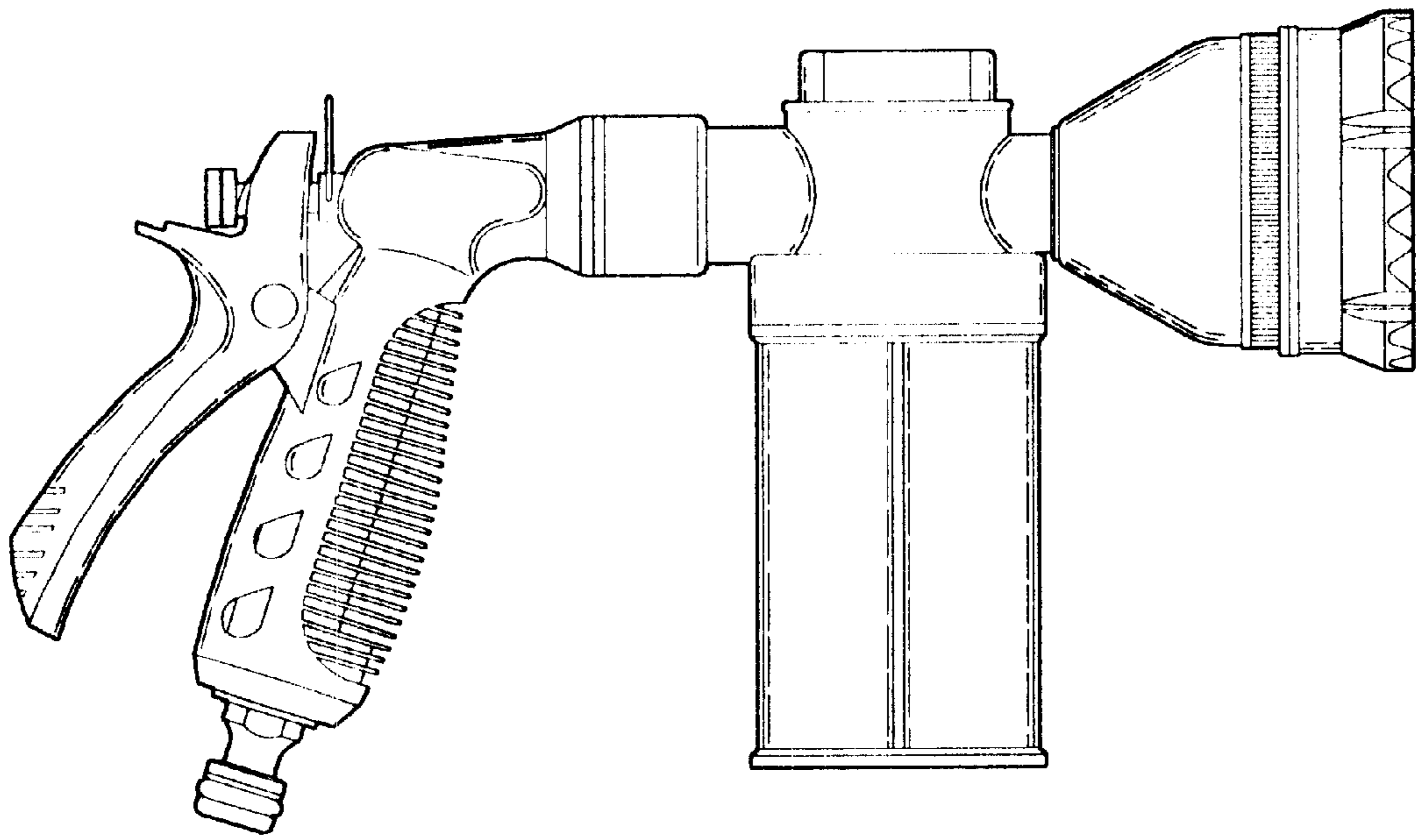


FIG 4

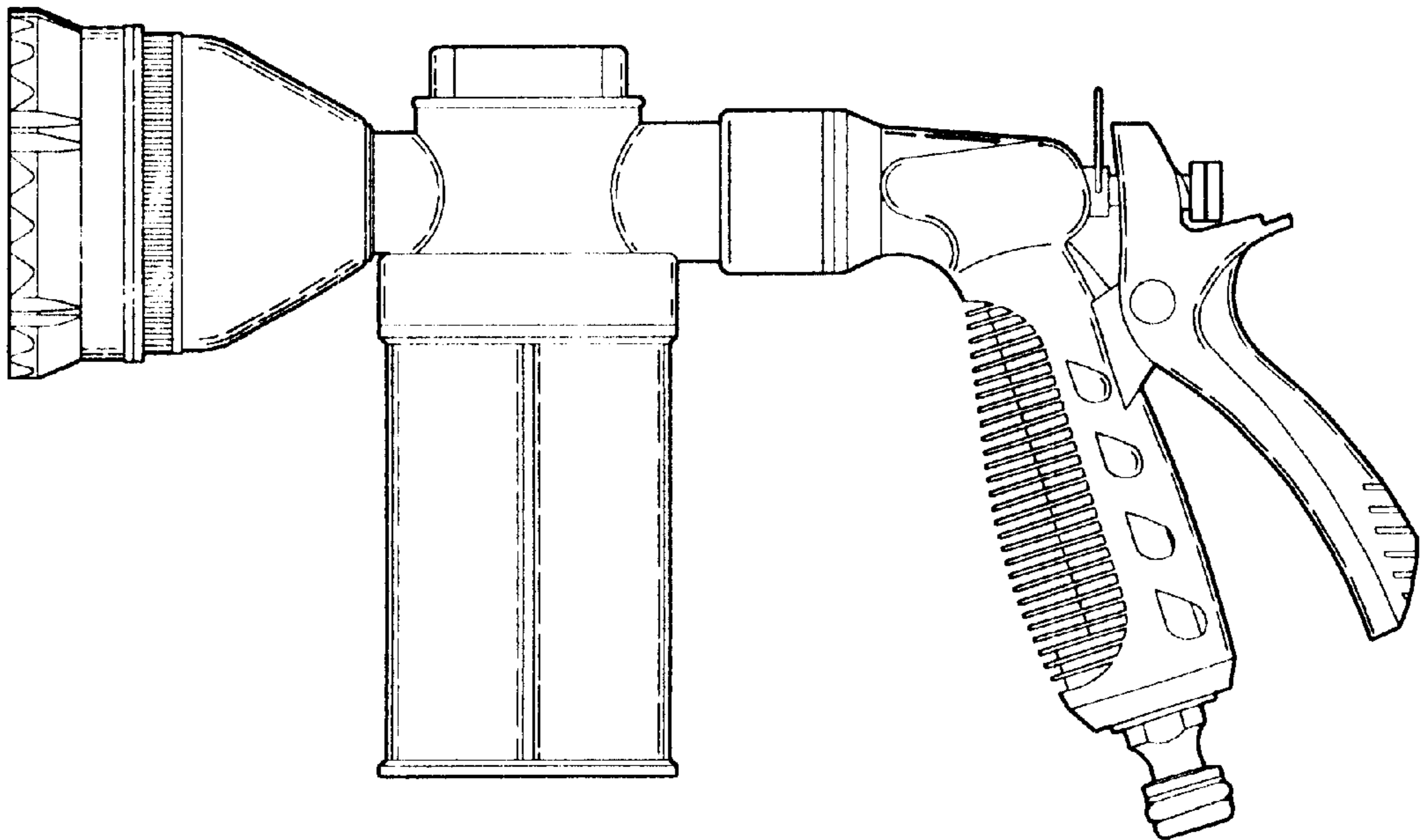


FIG 5

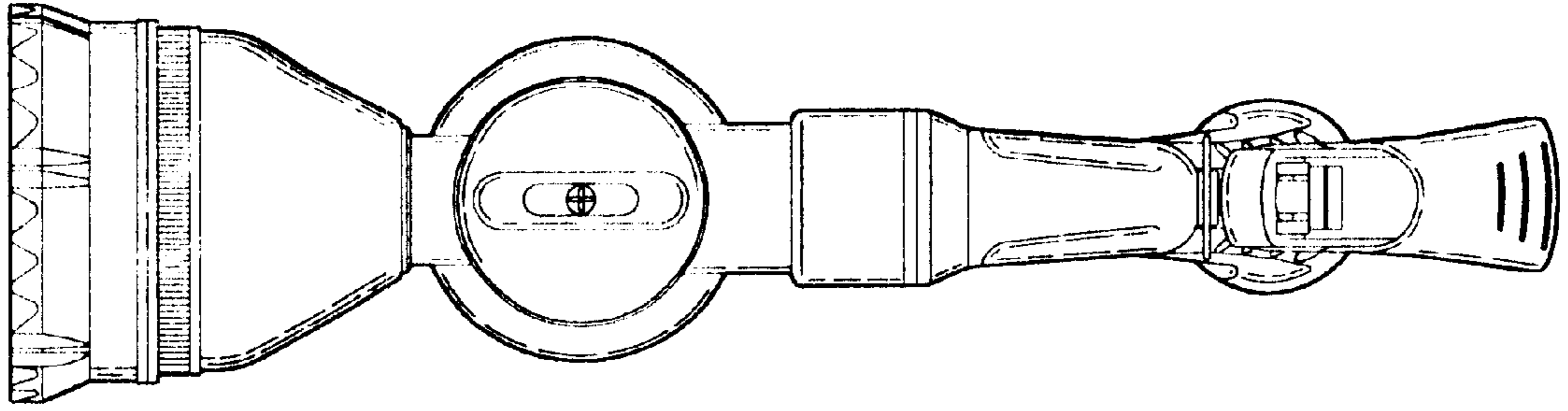


FIG 6

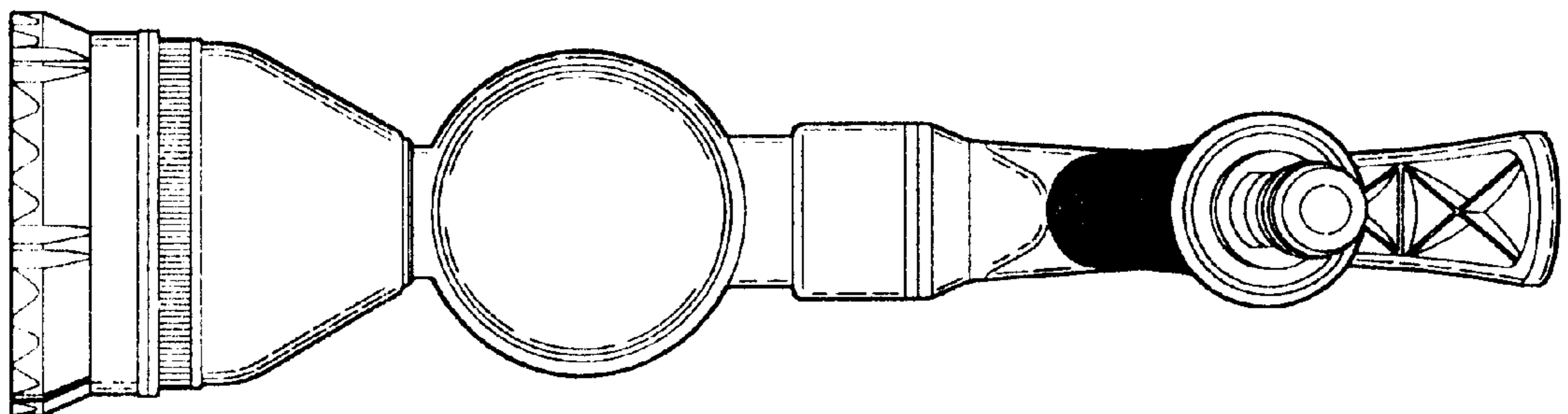


FIG 7