



US00D470566S

(12) **United States Design Patent** (10) **Patent No.:** **US D470,566 S**
Sciulli et al. (45) **Date of Patent:** **** Feb. 18, 2003**

(54) **ORIFICE MOUNT FOR HIGH-PRESSURE FLUID JET SYSTEM**

FOREIGN PATENT DOCUMENTS

DE G 94 02 938.5 5/1994

(75) Inventors: **Felix M. Sciulli**, Issaquah, WA (US);
Mohamed A. Hashish, Bellevue, WA (US);
Steven J. Craigen, Auburn, WA (US);
Bruce M. Schuman, Kent, WA (US)

OTHER PUBLICATIONS

Ramulu et al., "Abrasive Waterjet Drilling and Cutting Mechanisms in Continuous-Fiber Ceramic Composites," in *Proceedings of the 9th American Waterjet Conference*, WaterJet Technology Association, Dearborn, MI, Aug. 23-26, 1997, pp. 109-132.

(73) Assignee: **Flow International Corporation**, Kent, WA (US)

Sheridan et al., "Microstructural and Mechanical Characterization of Threaded Composite Tubes Machined Using AWJ Cutting," in *Proceedings of the 8th American Water Jet Conference*, WaterJet Technology Association, Houston, TX, Aug. 26-29, 1995, pp. 245-258.

(**) Term: **14 Years**

* cited by examiner

(21) Appl. No.: **29/158,317**

Primary Examiner—Robin V. Taylor

(22) Filed: **Apr. 1, 2002**

(74) *Attorney, Agent, or Firm*—Seed Intellectual Property Law Group PLLC

(51) **LOC (7) Cl.** **23-01**

(52) **U.S. Cl.** **D23/213; D15/126**

(58) **Field of Search** D23/213; 4/541.3,
4/541.5, 541.6; 239/589, 596, 433, 434;
D15/124, 126

(57) **CLAIM**

The ornamental design for an orifice mount for high-pressure fluid jet systems, as shown and described.

(56) **References Cited**

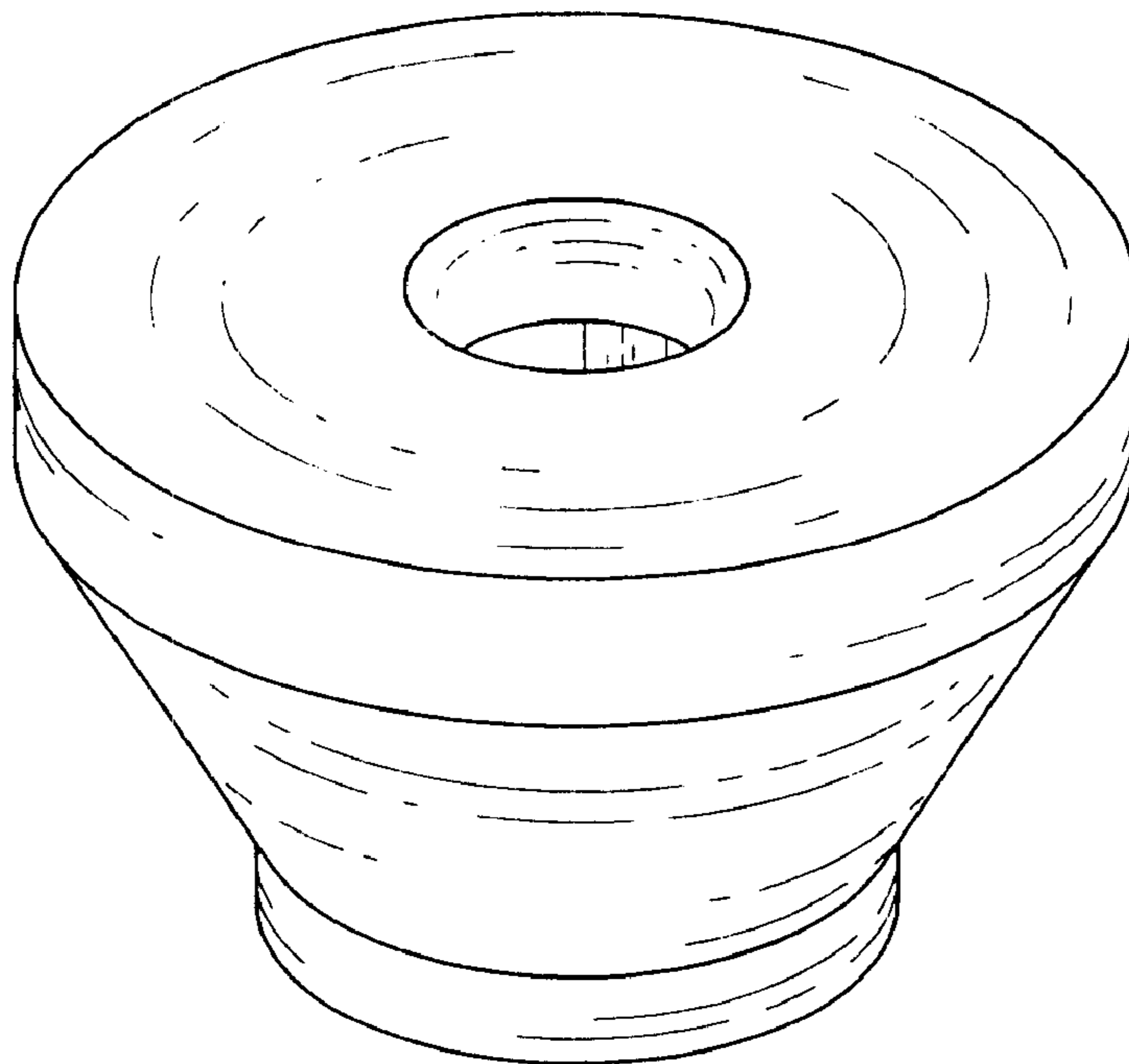
U.S. PATENT DOCUMENTS

D285,333 S *	8/1986	Enk	D23/213
4,951,429 A	8/1990	Hashish et al.	51/439
5,018,670 A	5/1991	Chalmers	239/433
5,144,766 A	9/1992	Hashish et al.	51/439
5,320,289 A	6/1994	Hashish et al.	239/434
5,643,058 A	7/1997	Erichsen et al.	451/99
6,267,788 B1 *	7/2001	Anderson	239/589
6,283,832 B1	9/2001	Shepherd	451/40
6,299,078 B1 *	10/2001	Fugere	239/596

DESCRIPTION

FIG. 1 is a front perspective view of an orifice mount for high-pressure fluid jet systems, showing our new design. FIG. 2 is a side elevational view thereof, all other side, front, and rear elevational views being identical. FIG. 3 is a top plan view thereof; and, FIG. 4 is a bottom plan view thereof.

1 Claim, 2 Drawing Sheets



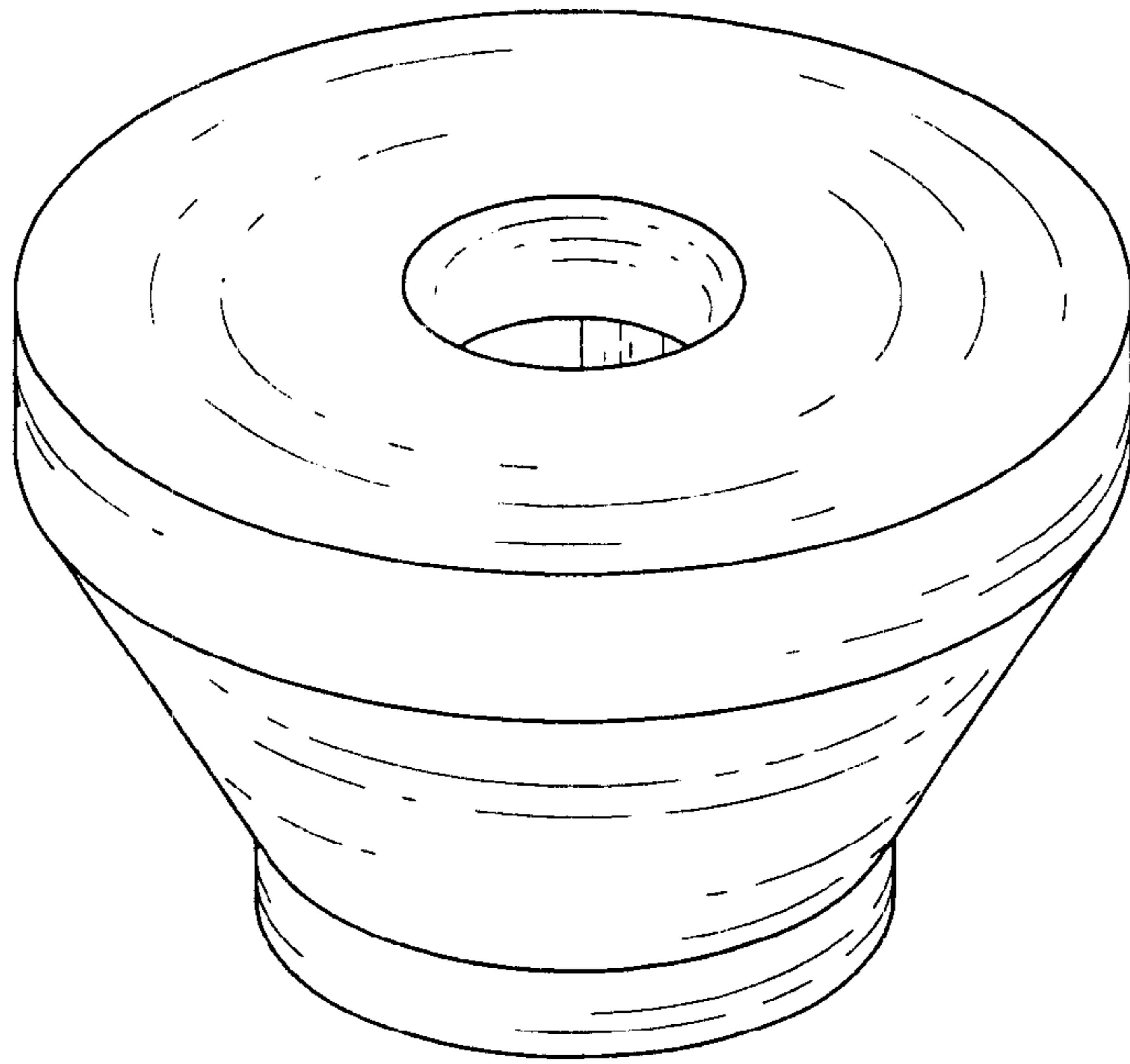


Fig. 1

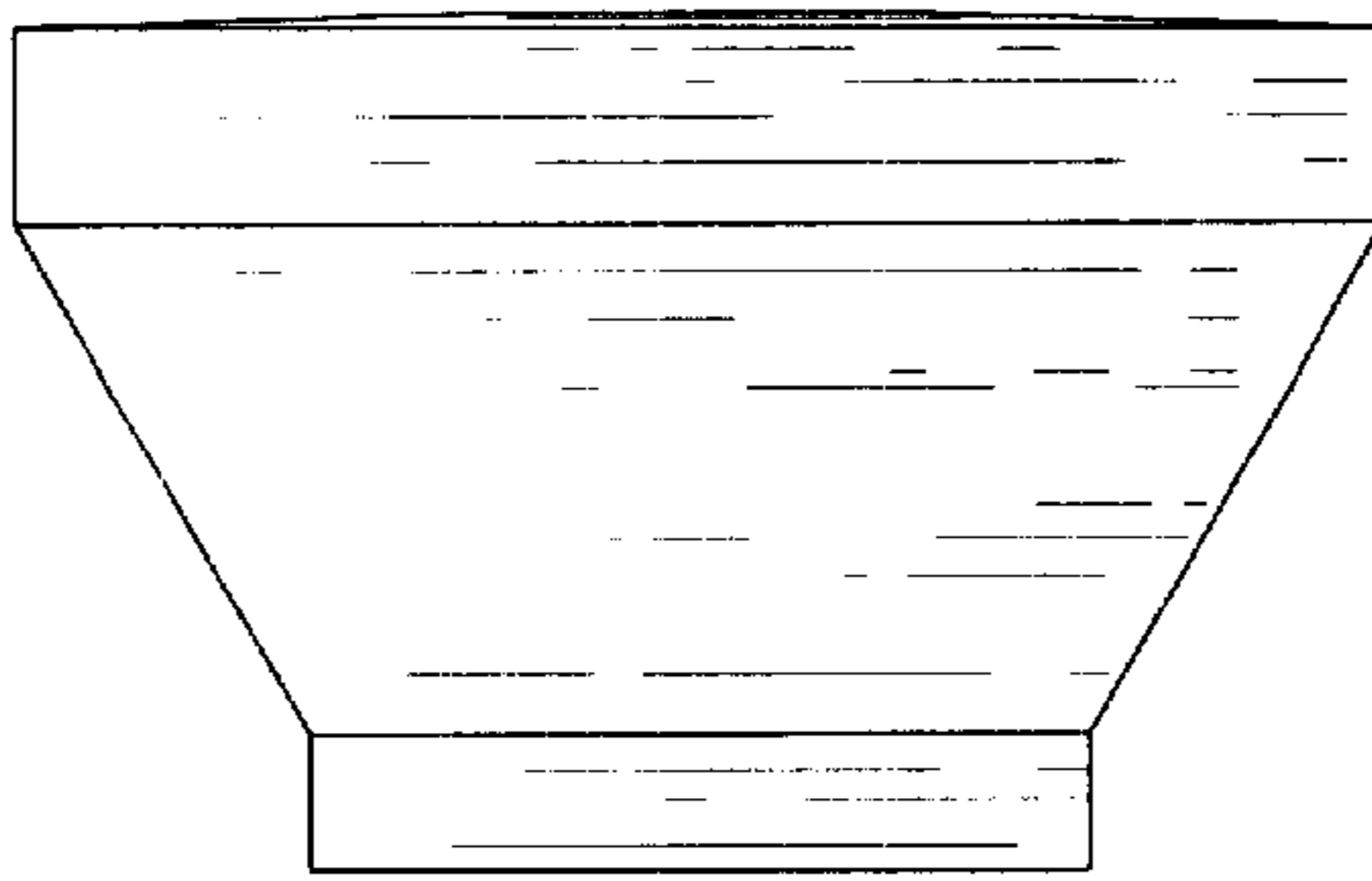


Fig. 2

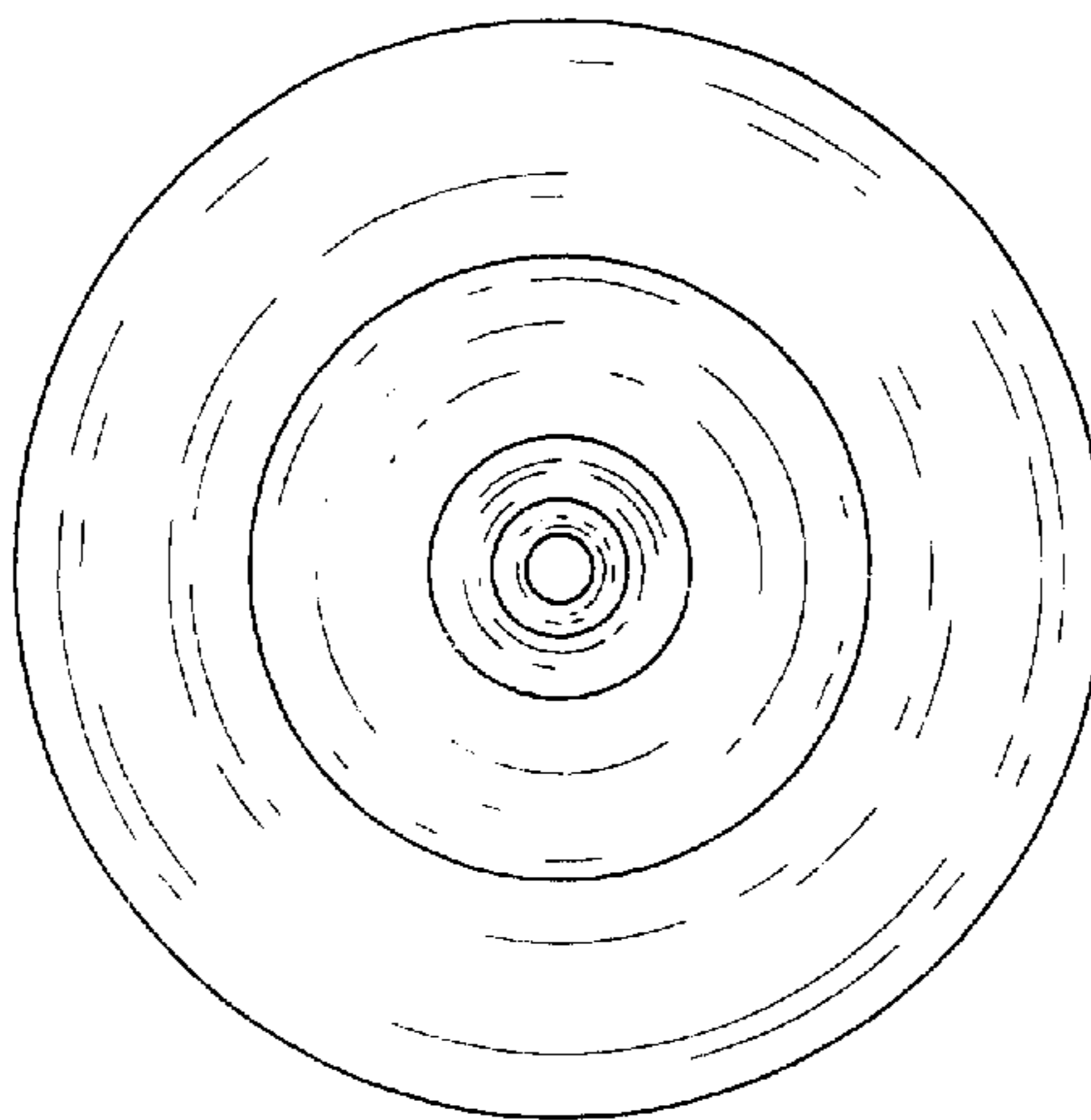


Fig. 3

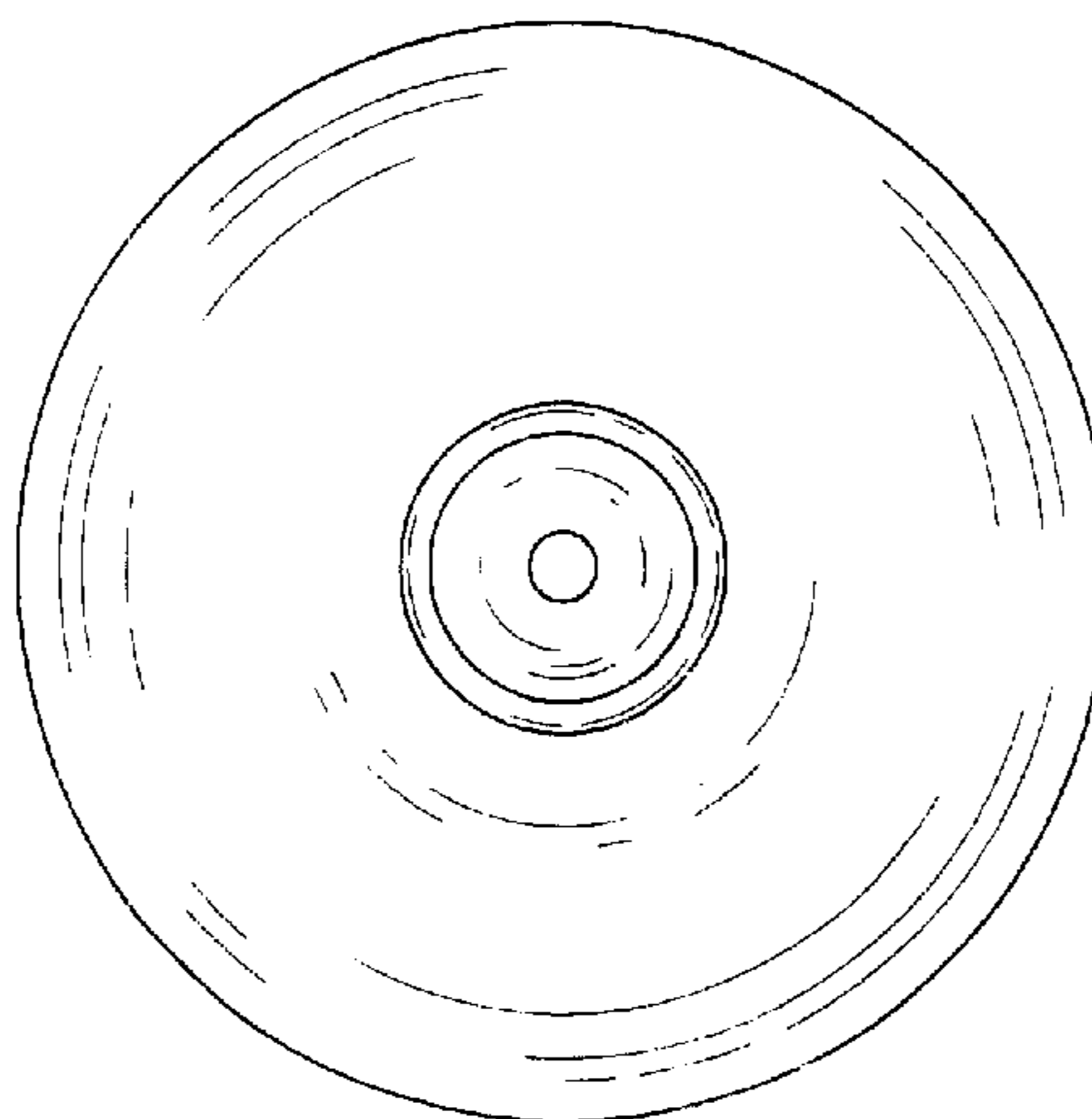


Fig. 4