



US00D470563S

(12) **United States Design Patent**
Arai

(10) **Patent No.:** **US D470,563 S**

(45) **Date of Patent:** **** Feb. 18, 2003**

(54) **RAT GUARD DEVICE**

1,178,811 A * 4/1916 Liberth 114/221 R
6,363,653 B1 * 4/2002 Wong 43/58

(75) Inventor: **Yoshihisa Arai**, Kyoto (JP)

* cited by examiner

(73) Assignee: **Touyou Yakugyou Co., Ltd.**, Kyoto (JP)

Primary Examiner—Catherine R. Oliver
(74) *Attorney, Agent, or Firm*—Snider & Associates;
Ronald R. Snider

(**) Term: **14 Years**

(21) Appl. No.: **29/160,862**

(57) **CLAIM**

(22) Filed: **May 20, 2002**

The ornamental design for a rat guard device, as shown and described.

(30) **Foreign Application Priority Data**

DESCRIPTION

Dec. 14, 2001 (JP) 2001-036855

(51) **LOC (7) Cl.** **22-06**

(52) **U.S. Cl.** **D22/119**

(58) **Field of Search** D22/119-125,
D22/199; 43/1, 58, 59, 124; 114/221 R;
294/131

FIG. 1 is a front view of the rat guard device.
FIG. 2 is a rear view of the rat guard device.
FIG. 3 is a side view of the rat guard device taken from the left side.
FIG. 4 is a plan view of the rat guard device.
FIG. 5 is a cross-sectional view of the rat guard device taken from line 5—5 of FIG. 3; and,
FIG. 6 a perspective view of the rat guard device.

(56) **References Cited**

U.S. PATENT DOCUMENTS

1,160,634 A * 11/1915 Maynard 114/221 R

1 Claim, 3 Drawing Sheets

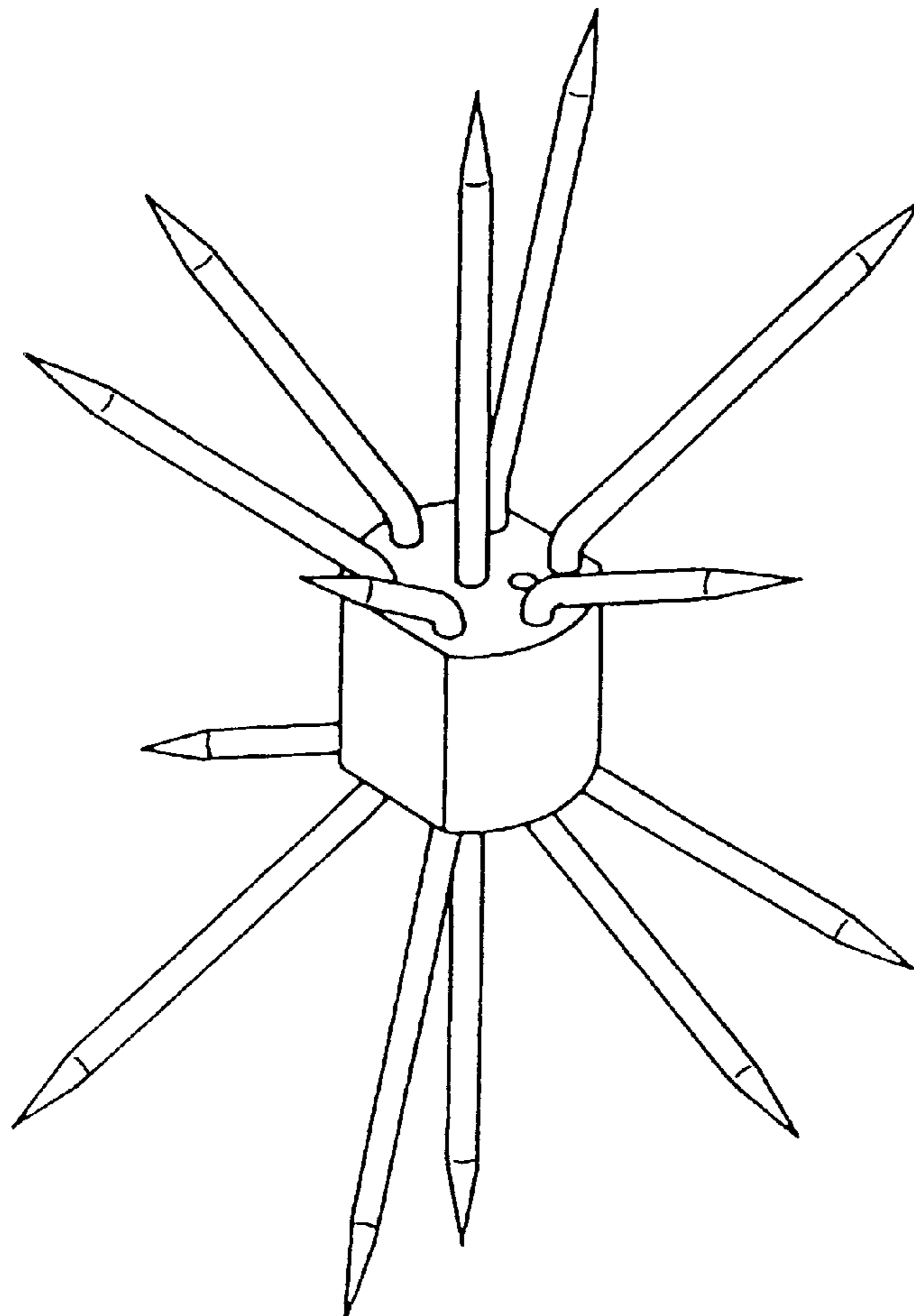


Fig. 1

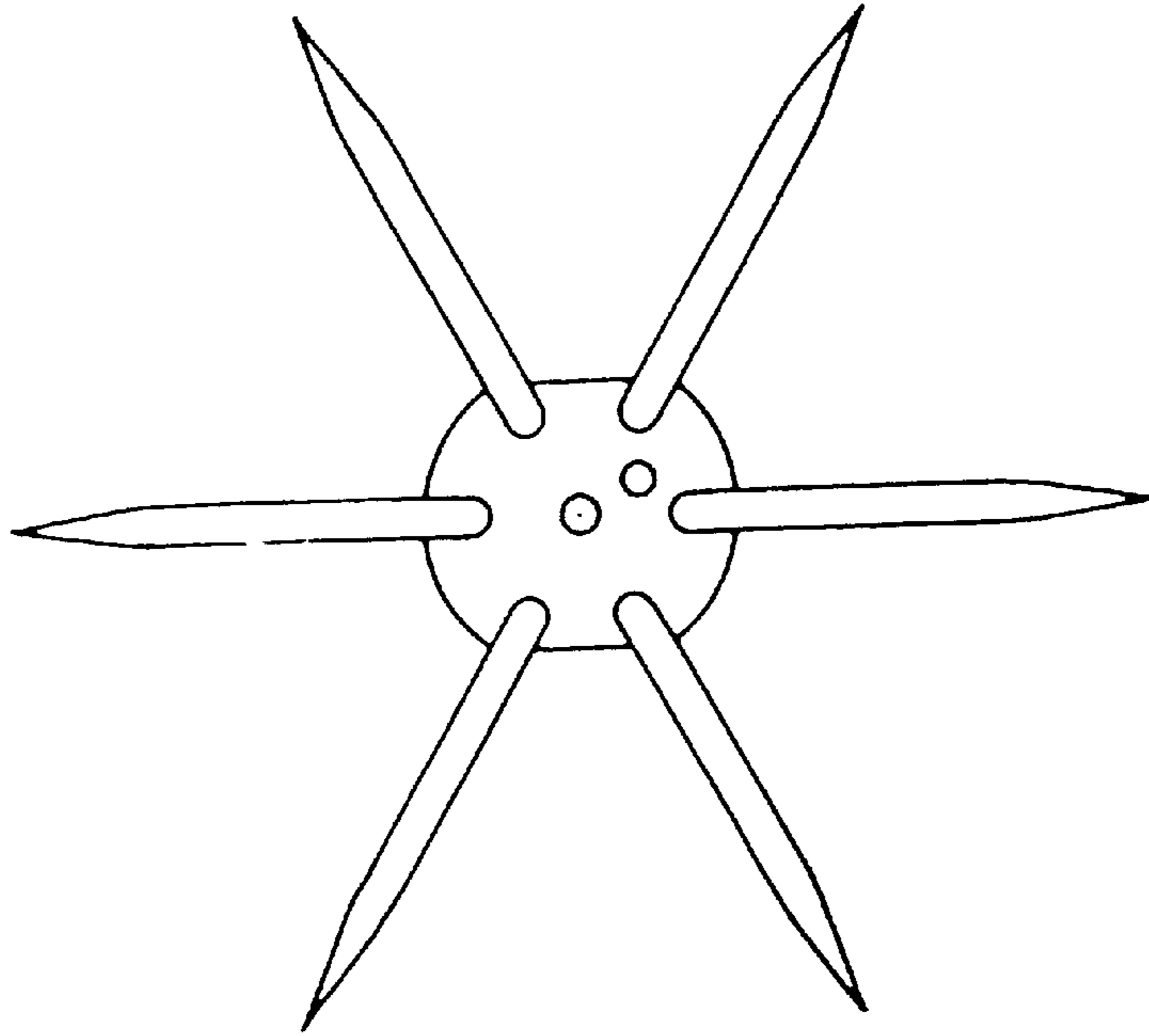
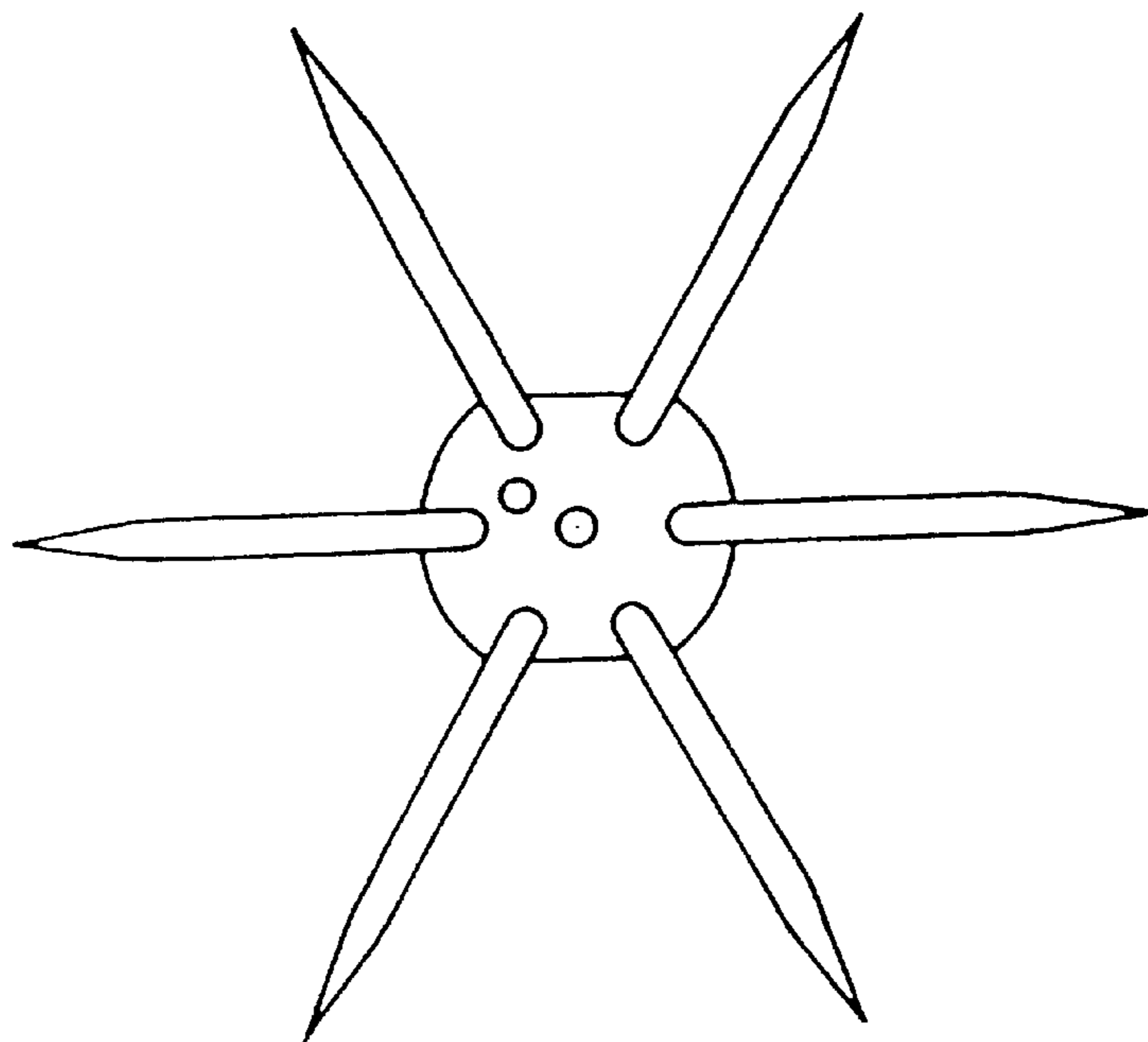


Fig. 2



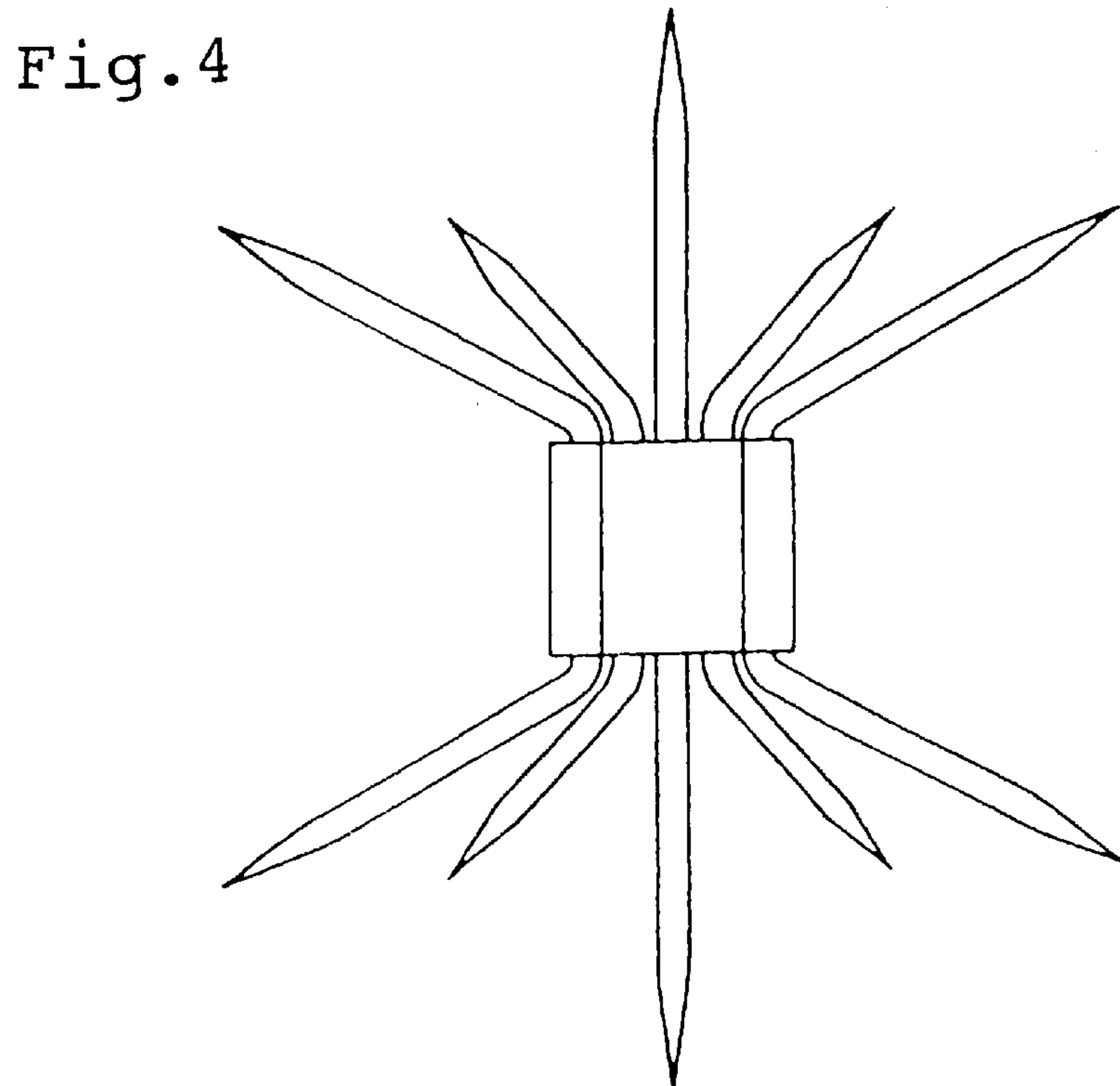
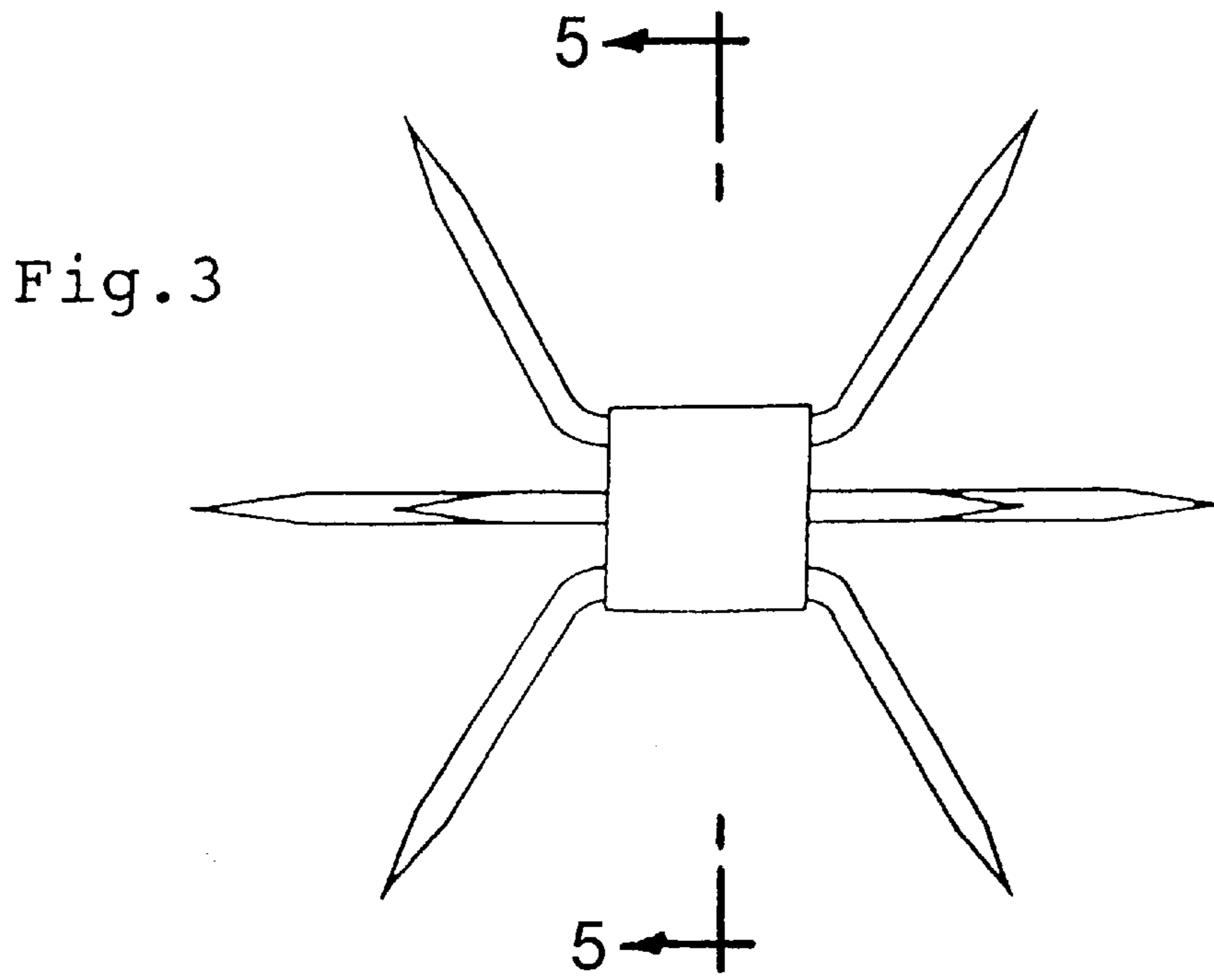


Fig. 5

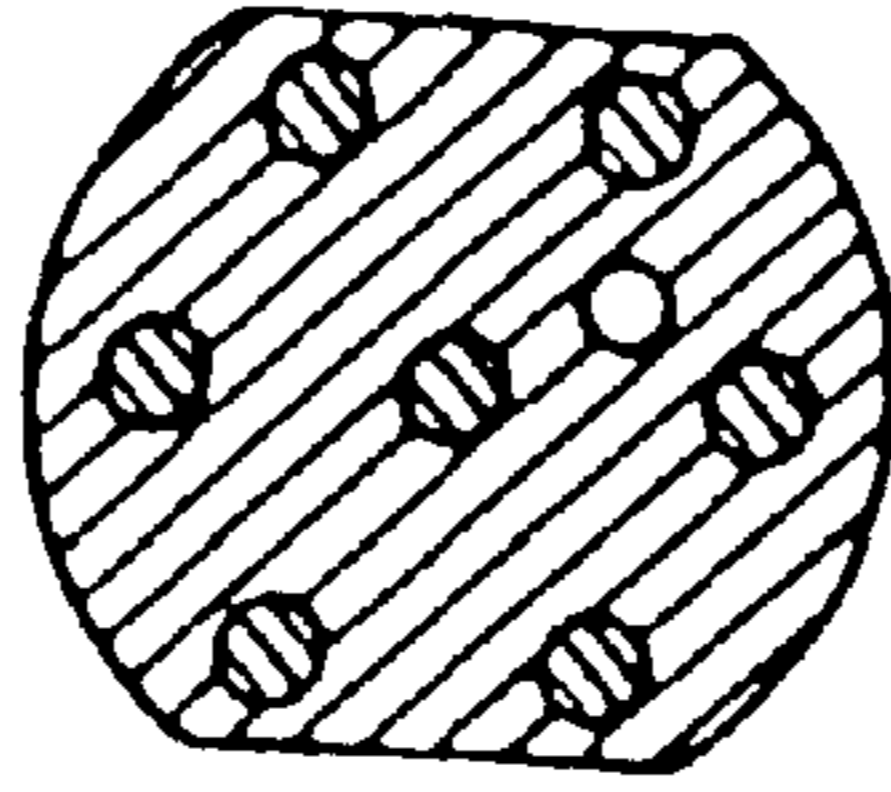


Fig. 6

