



US00D470562S

(12) **United States Design Patent**
Lafforthun

(10) **Patent No.:** **US D470,562 S**

(45) **Date of Patent:** **** Feb. 18, 2003**

(54) **COFFIN SHAPED ANIMAL TRAP**

(76) Inventor: **David W. Lafforthun**, P.O. Box 174,
Galway, NY (US) 12074-0174

(**) Term: **14 Years**

(21) Appl. No.: **29/158,723**

(22) Filed: **Apr. 8, 2002**

(51) **LOC (7) Cl.** **22-06**

(52) **U.S. Cl.** **D22/119**

(58) **Field of Search** D22/119-125;
43/60, 61, 65, 66; D9/307; D99/1, 2, 3;
D7/502

(56) **References Cited**

U.S. PATENT DOCUMENTS

2,475,462 A	7/1949	Rosen	43/61
3,398,478 A	8/1968	Pearsall	43/60
4,244,134 A	1/1981	Otterson	43/58
4,385,465 A	5/1983	Palmeri	43/58
4,425,731 A	1/1984	Orlando	43/58
4,578,892 A	4/1986	Melton	43/60
D286,207 S	10/1986	Colliver	D27/50
D291,588 S	8/1987	Melton	D22/119
4,829,700 A *	5/1989	Ha	43/61
4,908,976 A	3/1990	Dagenais	43/58
5,094,027 A *	3/1992	Smotherman	43/60
D346,199 S	4/1994	Spragins et al.	D22/119
D353,994 S *	1/1995	Kohler	D9/307
5,477,636 A	12/1995	Musket	43/114
5,673,509 A	10/1997	Gatewood, Jr.	43/58
D420,193 S *	2/2000	Cummings	D99/1
D423,631 S *	4/2000	Shultz	D22/119

* cited by examiner

Primary Examiner—Catherine R. Oliver

(74) *Attorney, Agent, or Firm*—Heslin Rothenberg Farley
& Mesiti P.C.; Victor A. Cardona, Esq.

(57) **CLAIM**

The ornamental design for the coffin shaped animal trap, as shown and described.

DESCRIPTION

FIG. 1 is a perspective view of the coffin shaped animal trap comprising my new design;

FIG. 2 is a top view thereof;

FIG. 3 is a side view identical to the mirror image of the other side thereof;

FIG. 4 is a front view thereof;

FIG. 5 is a rear view thereof; and

FIG. 6 is a bottom view thereof;

FIG. 7 is a perspective view of a second embodiment of a coffin shaped animal trap shown with a reclosable tab, which is the sole difference between it and FIG. 1;

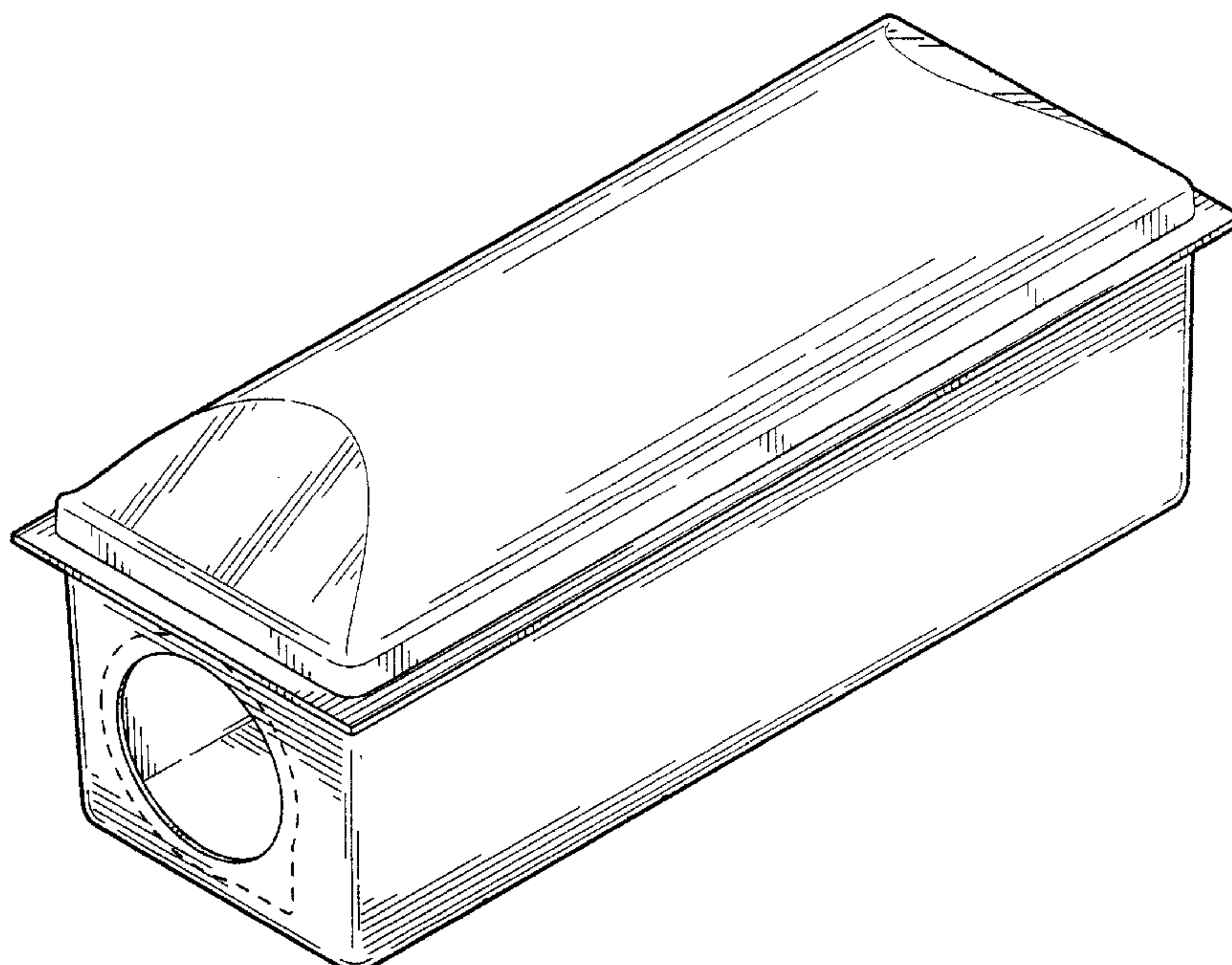
FIG. 8 is an exploded perspective view of a third embodiment of a coffin shaped animal trap shown with a clear top and a recloseable tab which are the sole differences between it and FIG. 1;

FIG. 9 is a perspective view of a fourth embodiment of a coffin shaped animal trap shown with a clear top, which is the sole difference between it and FIG. 1; and,

FIG. 10 is a perspective view of a fifth embodiment of a coffin shaped animal trap shown with a recloseable tab, which is the sole difference between it and FIG. 1.

The broken lines in the drawing figures are for illustrative purposes only and form no part of the claimed design.

1 Claim, 5 Drawing Sheets



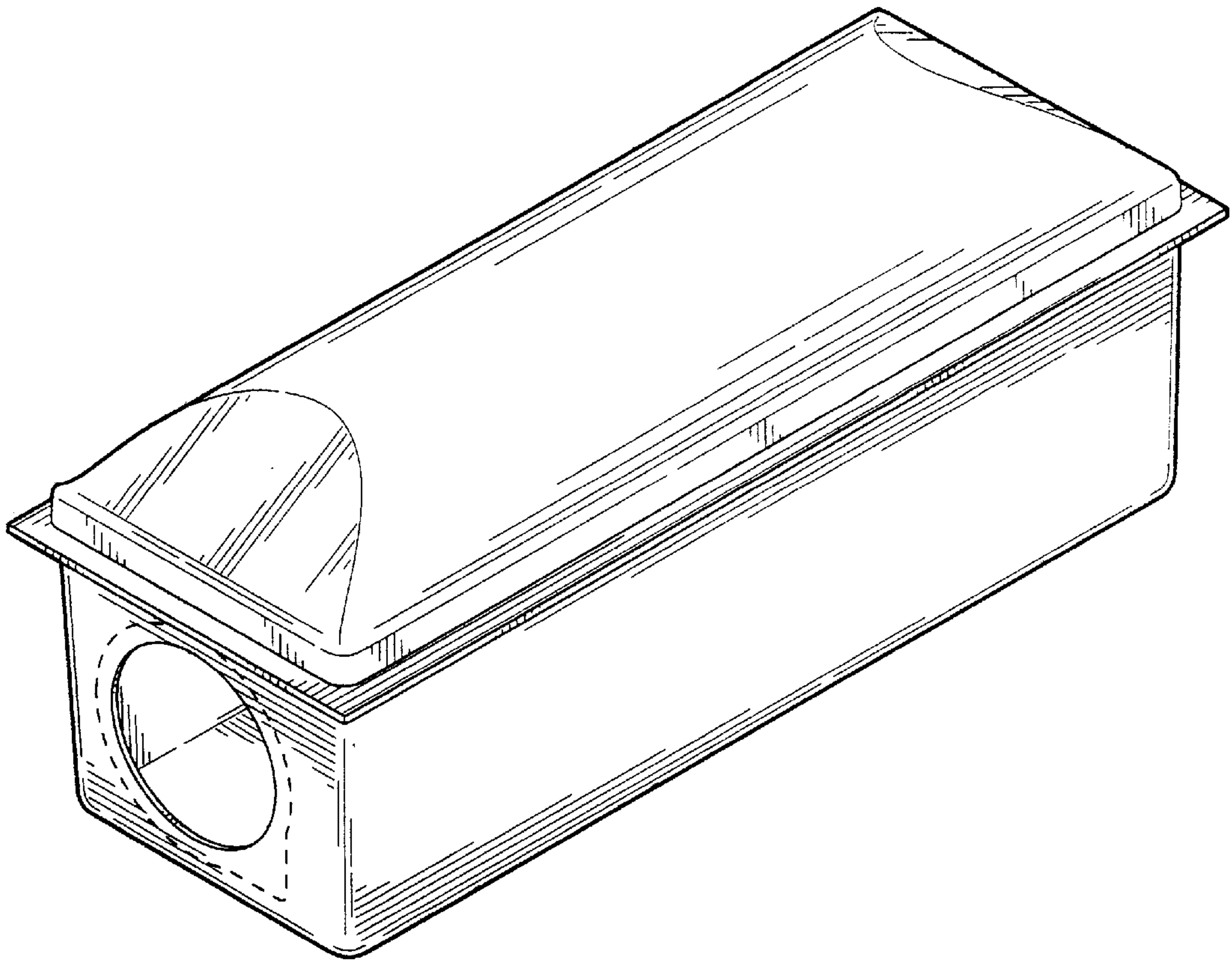


FIG. 1

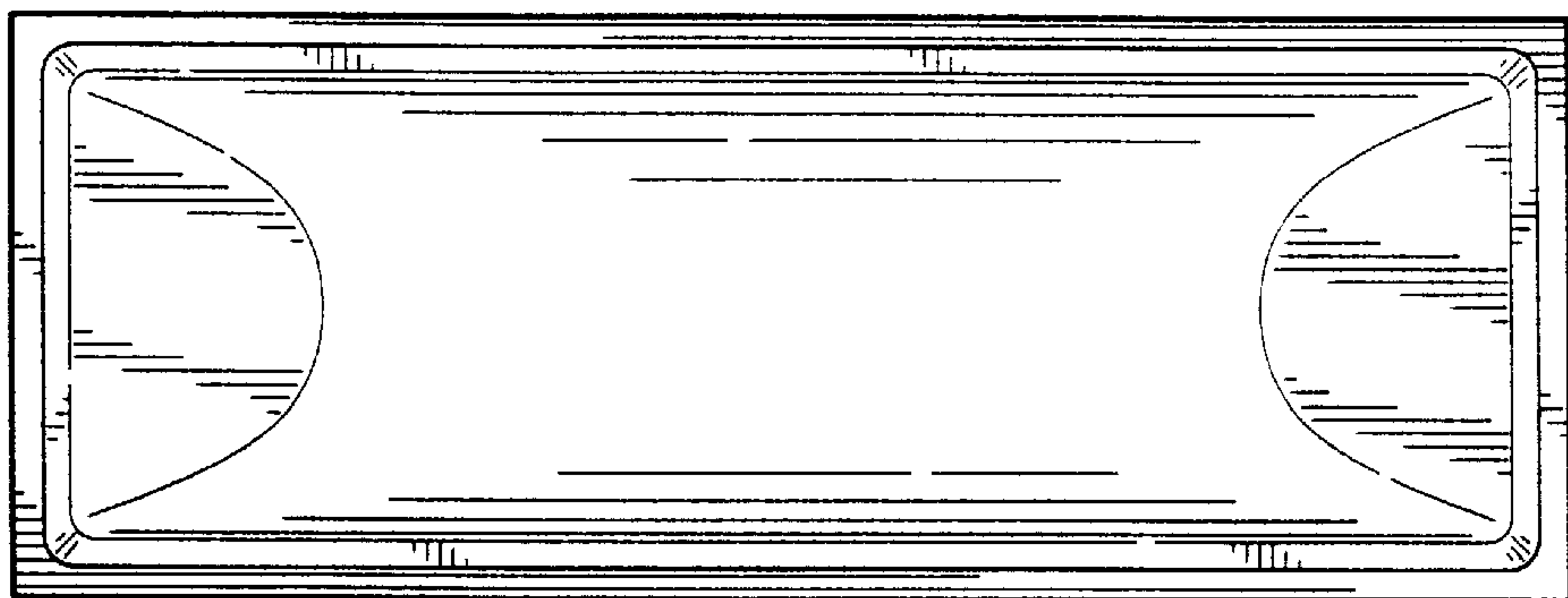


FIG. 2

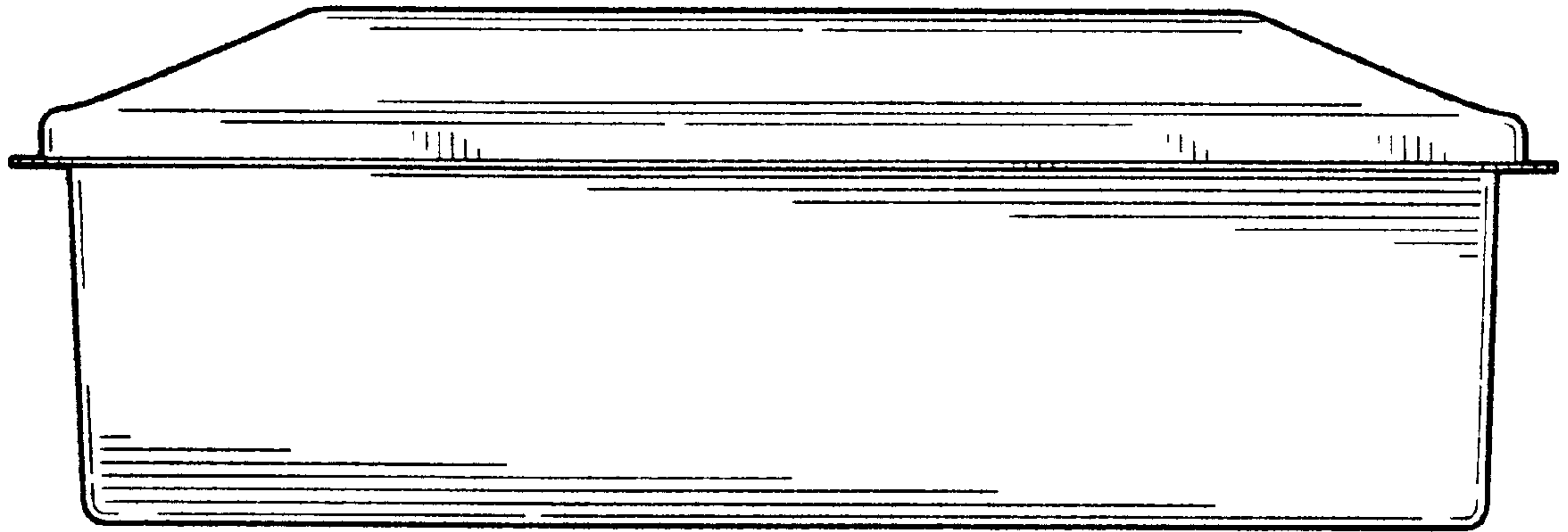


FIG. 3

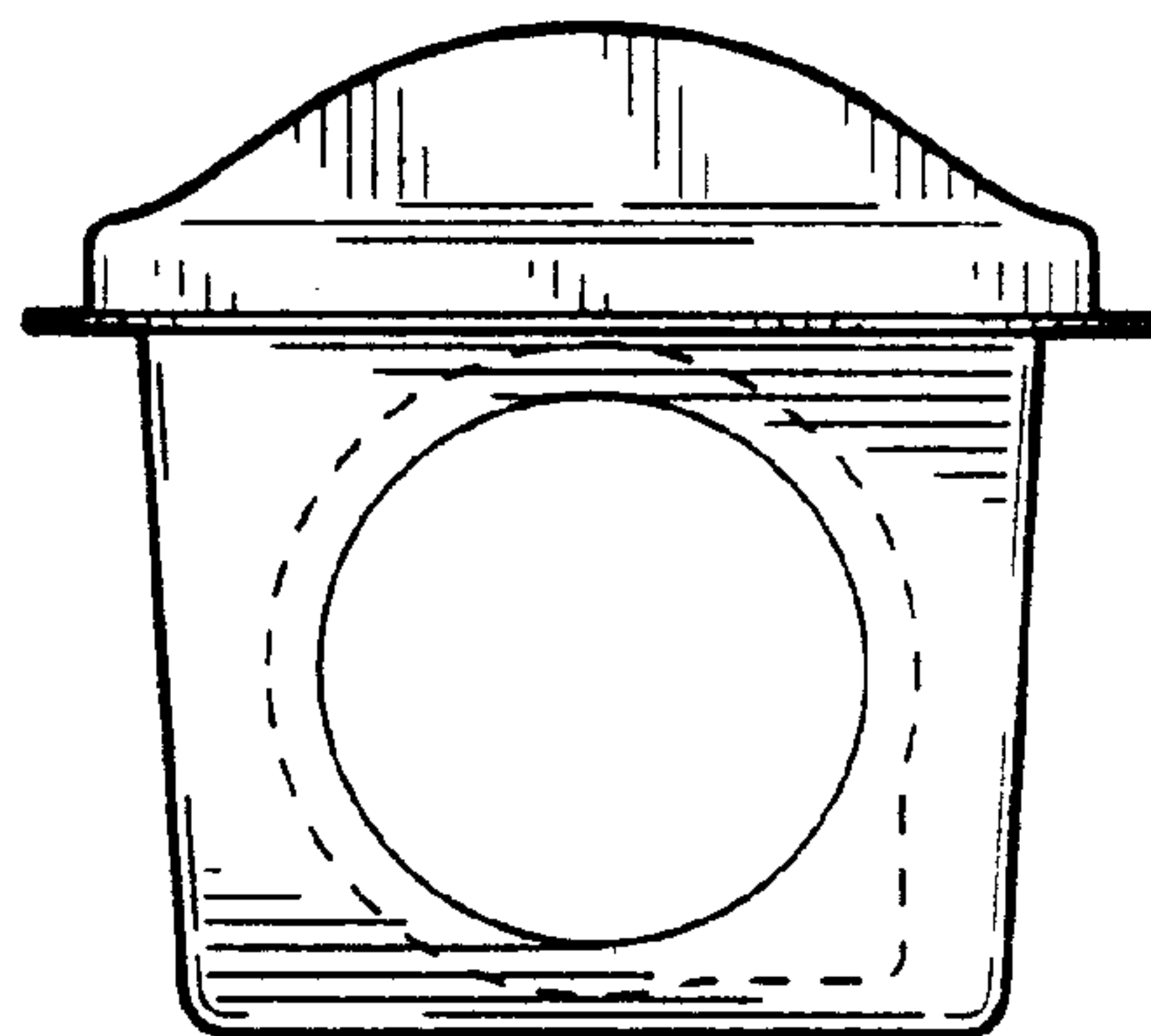


FIG. 4

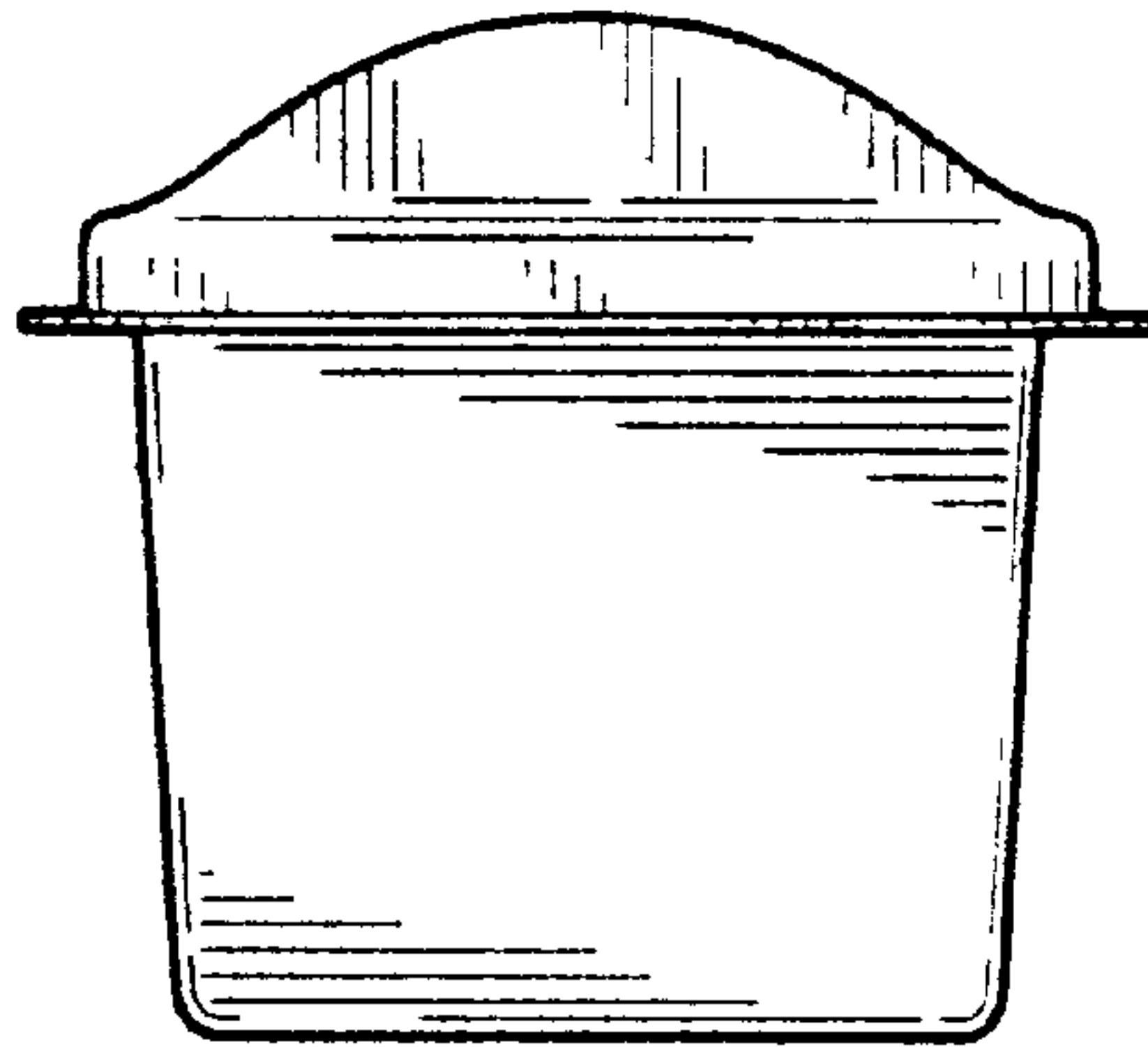


FIG. 5

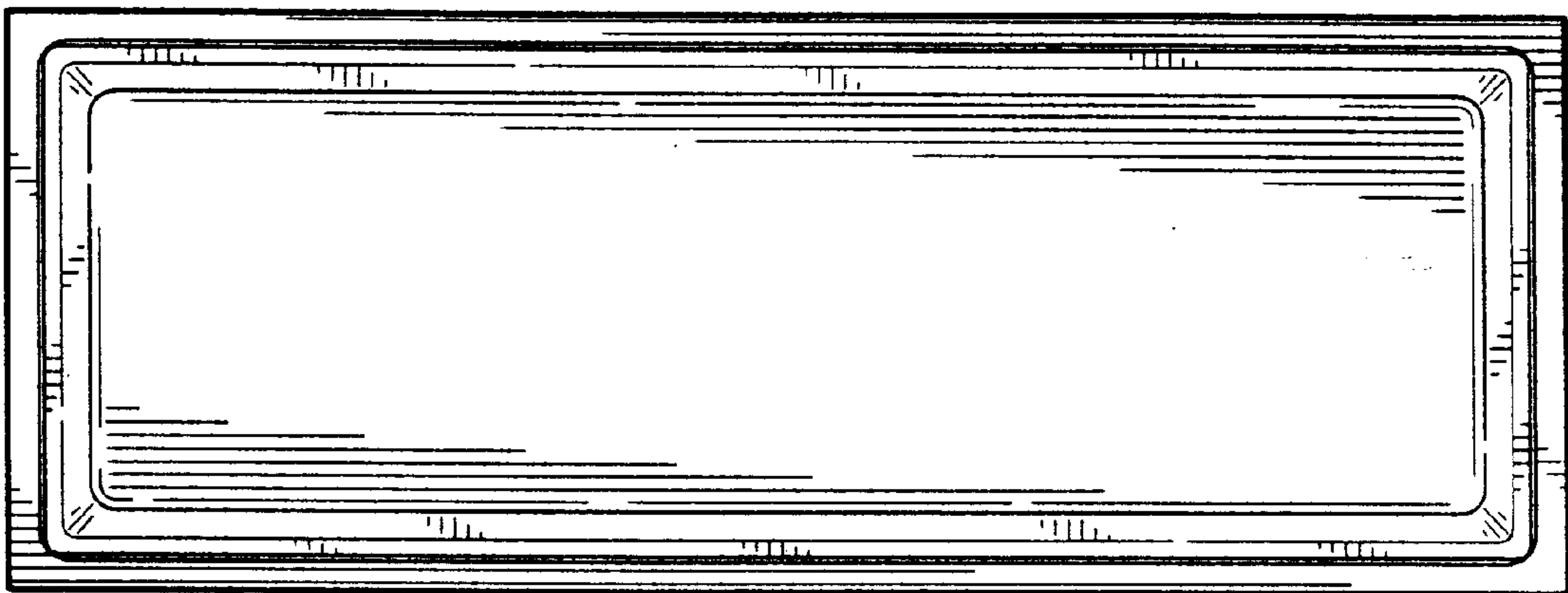


FIG. 6

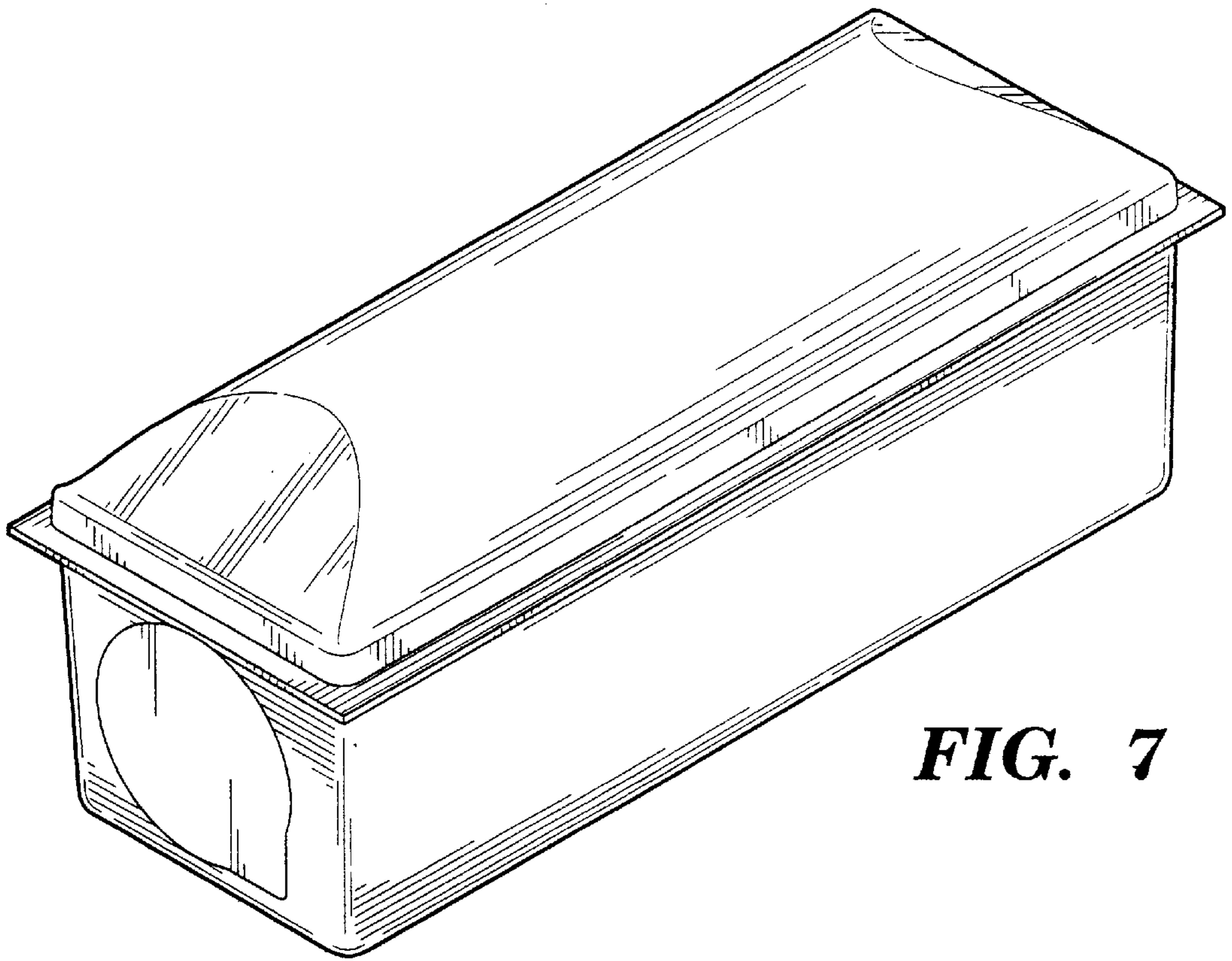


FIG. 7

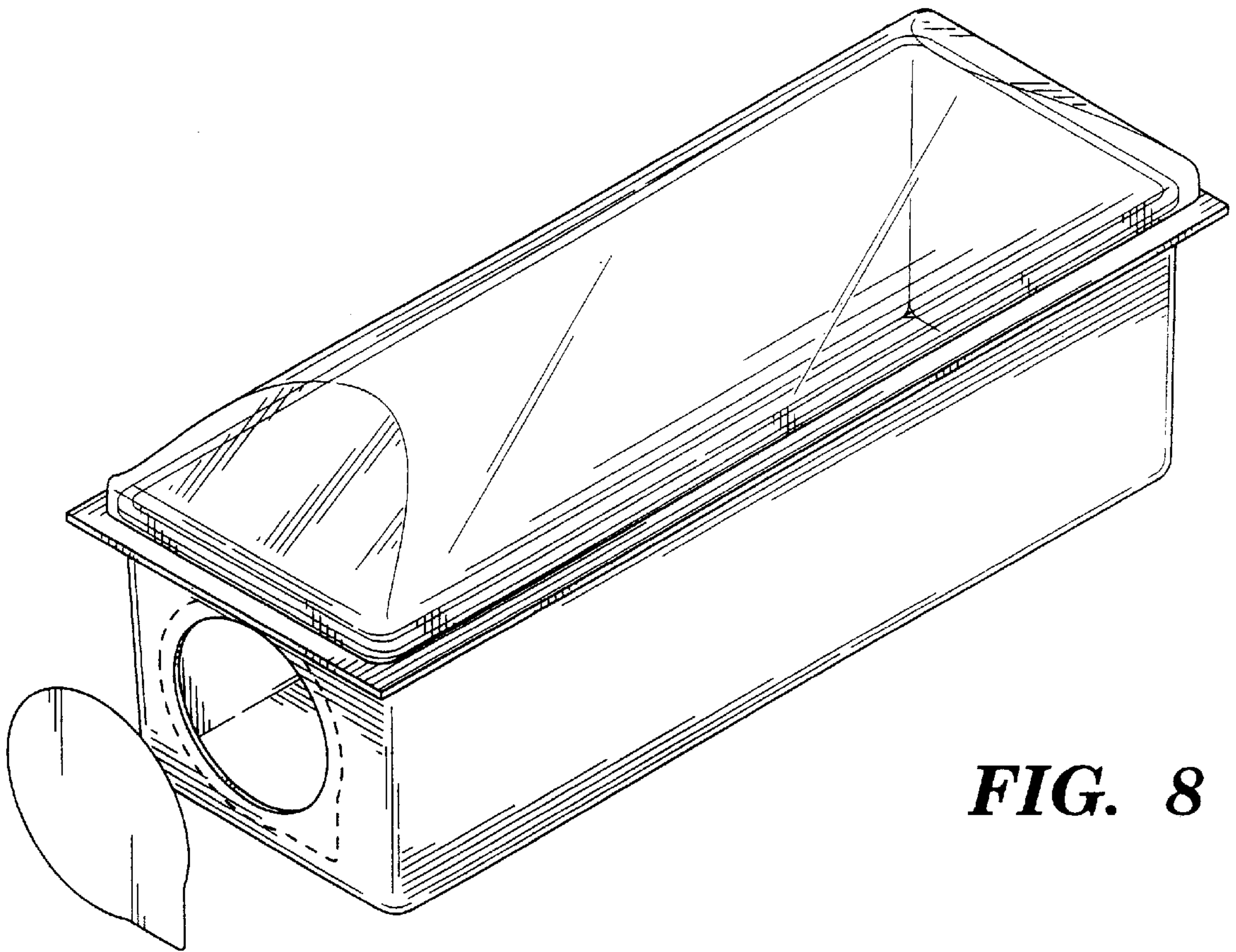


FIG. 8

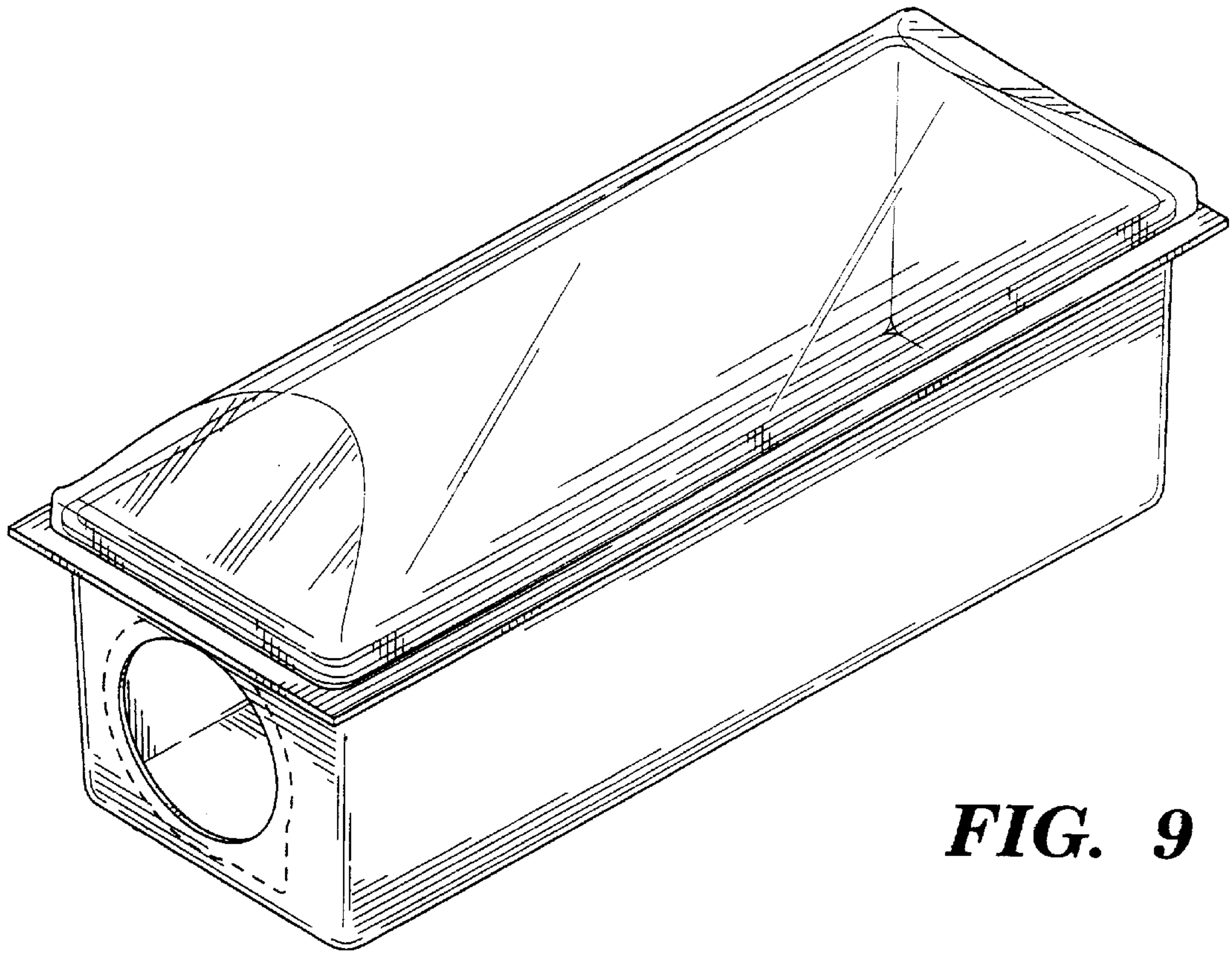


FIG. 9

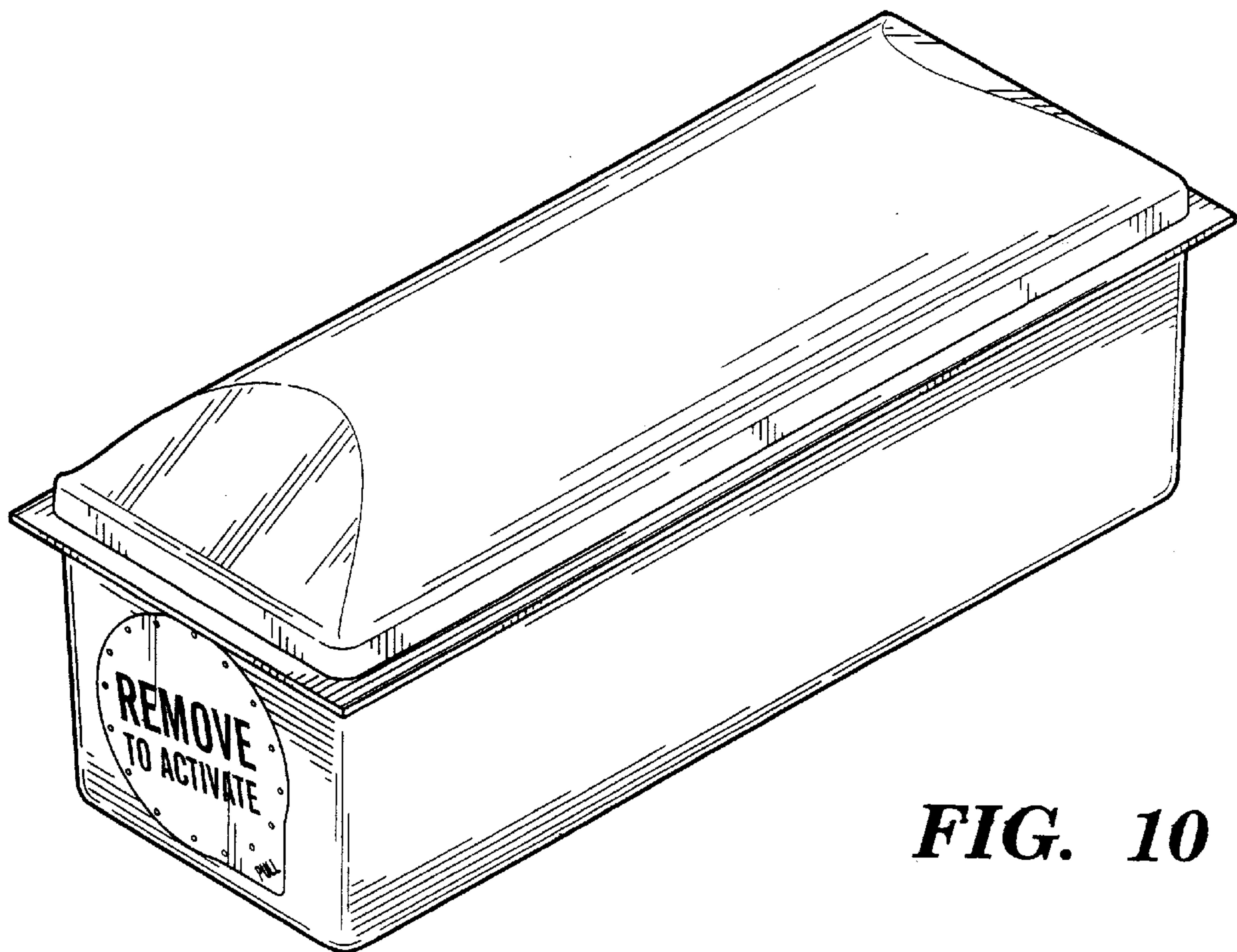


FIG. 10