



US00D470561S

(12) **United States Design Patent**  
**Salib**

(10) **Patent No.:** **US D470,561 S**

(45) **Date of Patent:** **\*\* Feb. 18, 2003**

(54) **DISPENSER FOR COUNTER MEANS**

(75) Inventor: **Ramses Salib, Solna (SE)**

(73) Assignee: **Saab AB, Linkoping (SE)**

(\*\*) Term: **14 Years**

(21) Appl. No.: **29/152,492**

(22) Filed: **Dec. 26, 2001**

**Related U.S. Application Data**

(62) Division of application No. 29/111,469, filed on Sep. 29, 1999, now Pat. No. Des. 453,547.

(30) **Foreign Application Priority Data**

Apr. 1, 1999 (SE) ..... 990617

(51) **LOC (7) Cl.** ..... **22-03**

(52) **U.S. Cl.** ..... **D22/116**

(58) **Field of Search** ..... D22/100, 108,  
D22/116, 115, 112, 199; 89/1.51, 1.53,  
1.54, 1.58, 1.59; 102/505

(56) **References Cited**

**U.S. PATENT DOCUMENTS**

2,741,159 A \* 4/1956 Procos ..... 89/1.51  
3,023,703 A \* 3/1962 Beatty ..... 102/505

3,088,404 A \* 5/1963 Brown et al. .... 89/1.51  
3,137,231 A \* 6/1964 Johnson ..... 102/505  
3,430,533 A \* 3/1969 Kifor et al. .... 89/1.51  
4,679,483 A 7/1987 Wranå  
5,763,811 A \* 6/1998 Ruzicka ..... 89/1.51

**FOREIGN PATENT DOCUMENTS**

GB 2 133 864 8/1984

\* cited by examiner

*Primary Examiner*—Louis S. Zarfes

*Assistant Examiner*—Monica A. Weingart

(74) *Attorney, Agent, or Firm*—Connolly Bove Lodge & Hutz LLP

(57) **CLAIM**

The ornamental design for a dispenser for counter means, as shown and described.

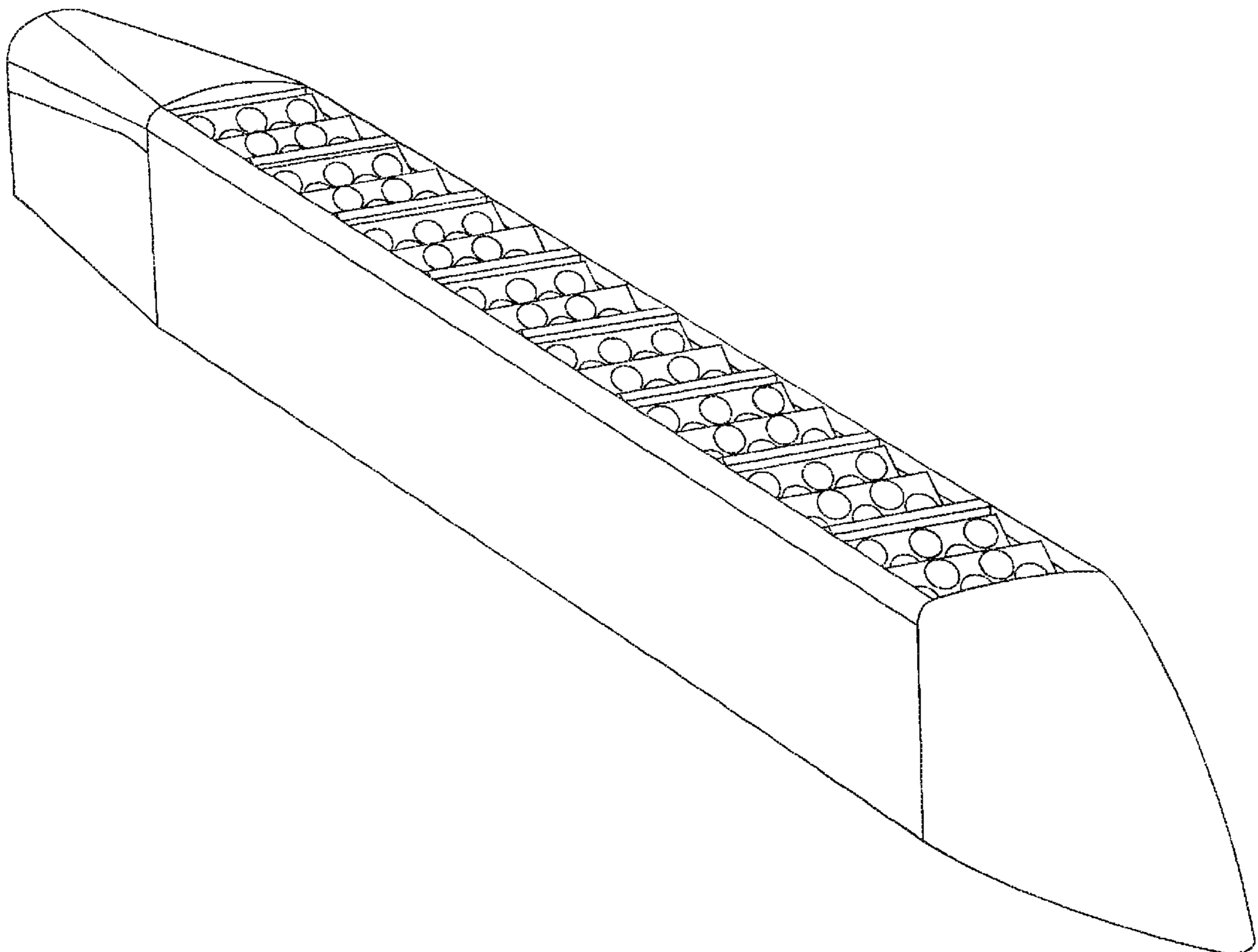
**DESCRIPTION**

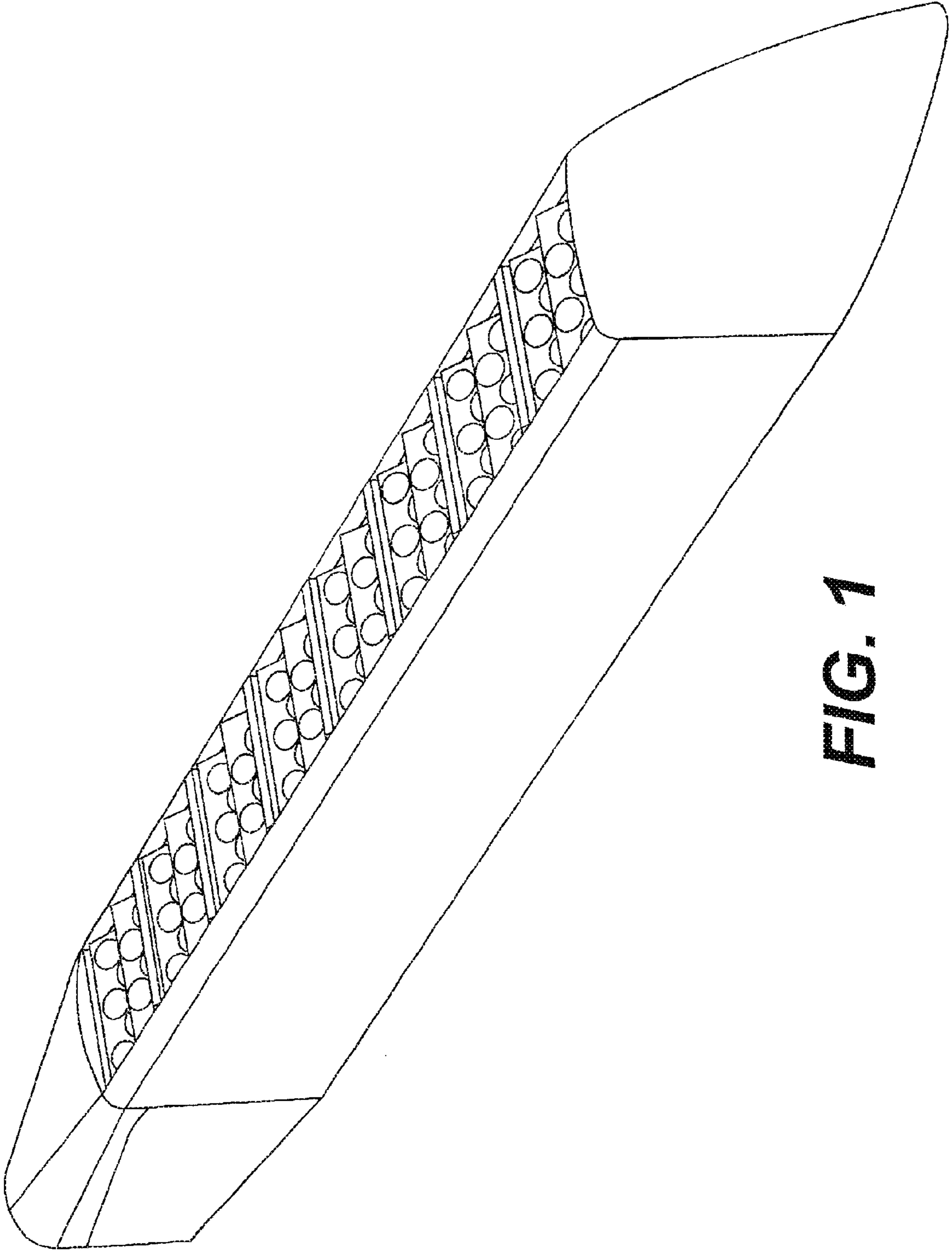
FIG. 1 is a top, front perspective view of a dispenser for counter means for ammunition units having circular shaped end sections showing my new design;

FIG. 2 is a top rear perspective view of the emodiment illustrated in FIG. 1; and,

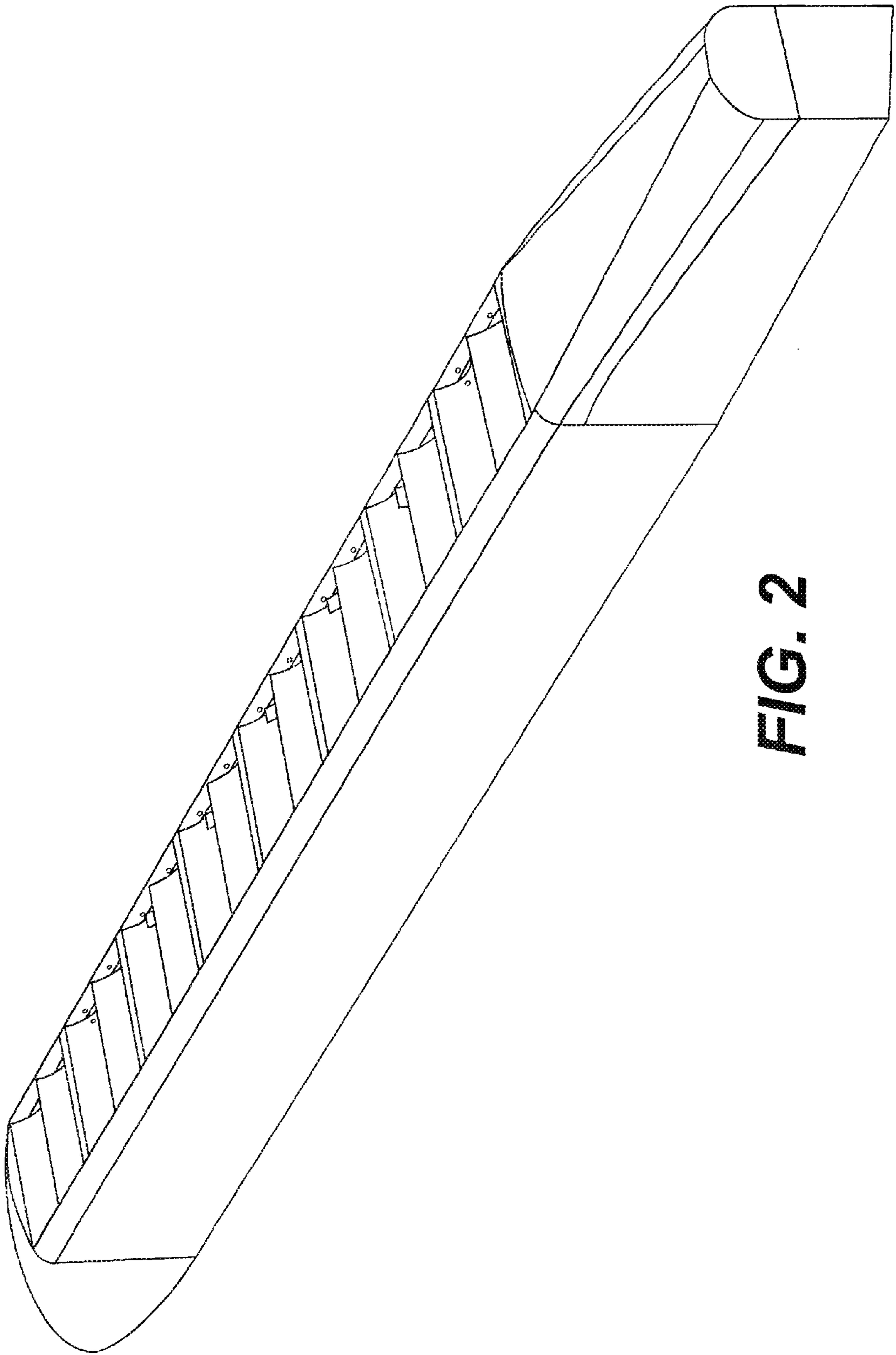
FIG. 3 is a bottom front perspective view of the emodiment illustrated in FIG. 2.

**1 Claim, 3 Drawing Sheets**

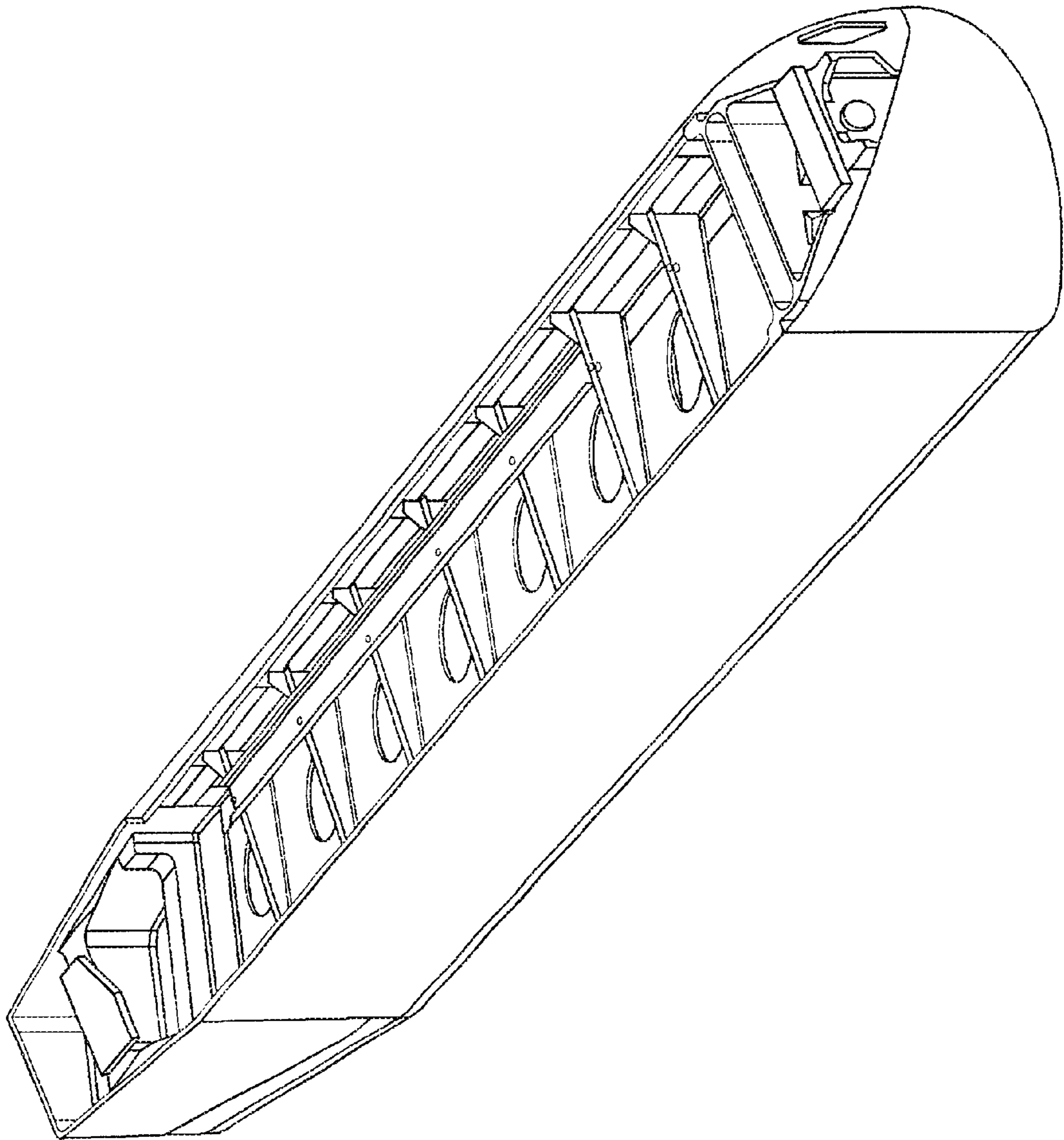




**FIG. 1**



**FIG. 2**



**FIG. 3**