



US00D470557S

(12) **United States Design Patent**  
**Godoy**

(10) **Patent No.:** **US D470,557 S**

(45) **Date of Patent:** **\*\* Feb. 18, 2003**

(54) **SWIMMING FIN**

5,813,889 A \* 9/1998 Perry et al. .... 441/64  
6,053,788 A \* 4/2000 Garofalo ..... 441/64

(75) Inventor: **Carlos Alberto Godoy**, Genoa (IT)

\* cited by examiner

(73) Assignee: **Cressi-Sub S.p.A.**, Genoa (IT)

*Primary Examiner*—Lucy Lieberman  
(74) *Attorney, Agent, or Firm*—Browdy and Neimark,  
P.L.L.C.

(\*\*) Term: **14 Years**

(21) Appl. No.: **29/152,497**

(57) **CLAIM**

(22) Filed: **Dec. 26, 2001**

The ornamental design for a swimming fin, as shown and described.

(30) **Foreign Application Priority Data**

Jun. 26, 2001 (IT) ..... FI0100051

**DESCRIPTION**

(51) **LOC (7) Cl.** ..... **21-01**

FIG. 1 is a top perspective view of a swimming fin in accordance with the present design;

(52) **U.S. Cl.** ..... **D21/806**

FIG. 2 is a top plan view thereof;

(58) **Field of Search** ..... D21/806, 801,  
D21/803, 807; 441/64, 61, 62, 63

FIG. 3 is a bottom plan view thereof;

FIG. 4 is a right side elevation view, the left side elevation view is a mirror image thereto;

(56) **References Cited**

**U.S. PATENT DOCUMENTS**

2,737,668 A \* 3/1956 Cressi et al. .... 441/64  
3,112,503 A \* 12/1963 Girden ..... 441/64  
D357,965 S \* 5/1995 Maggi ..... D21/806  
D382,322 S \* 8/1997 Cressi ..... D21/806

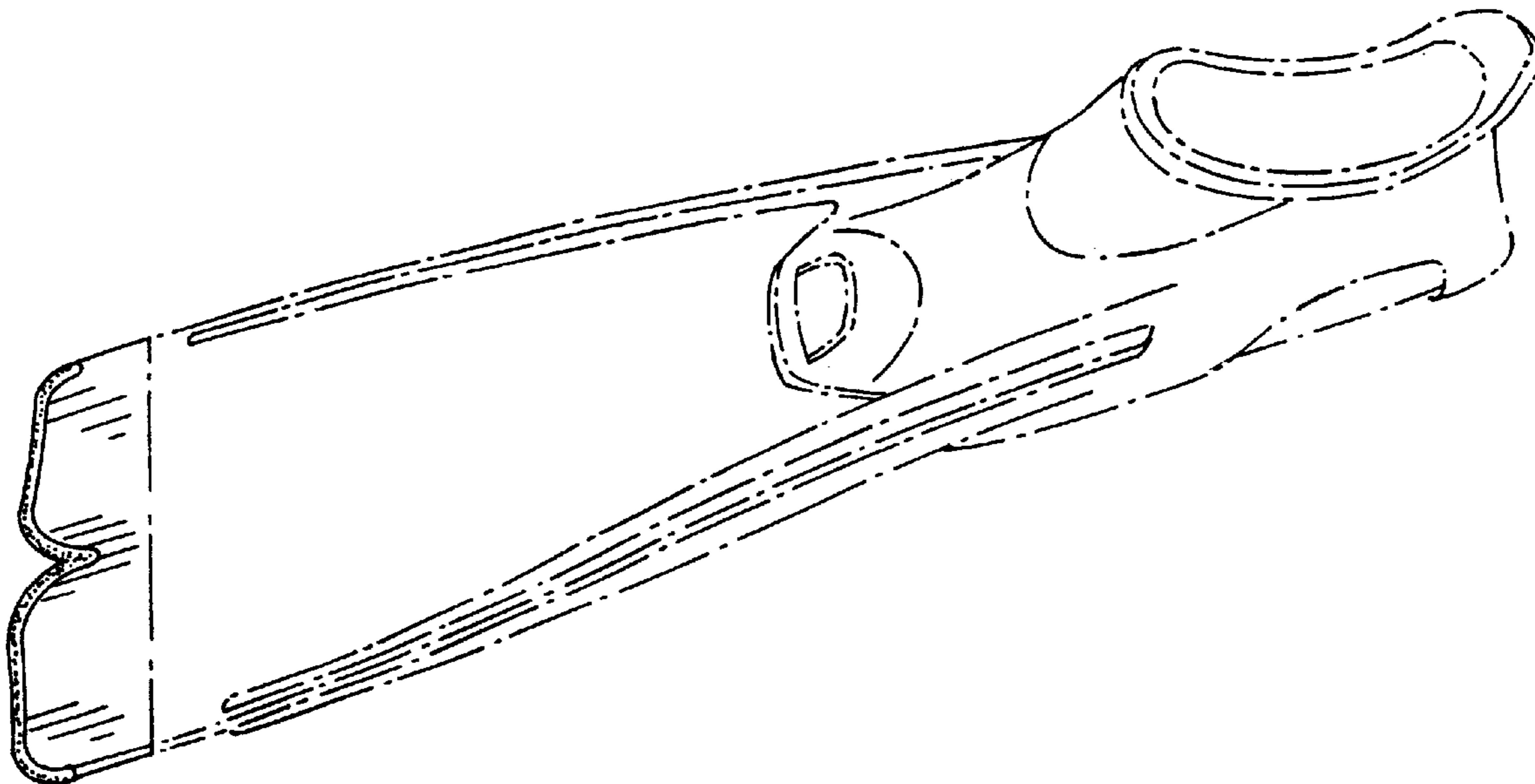
FIG. 5 is a front elevation view thereof; and,

FIG. 6 is a rear elevation view thereof.

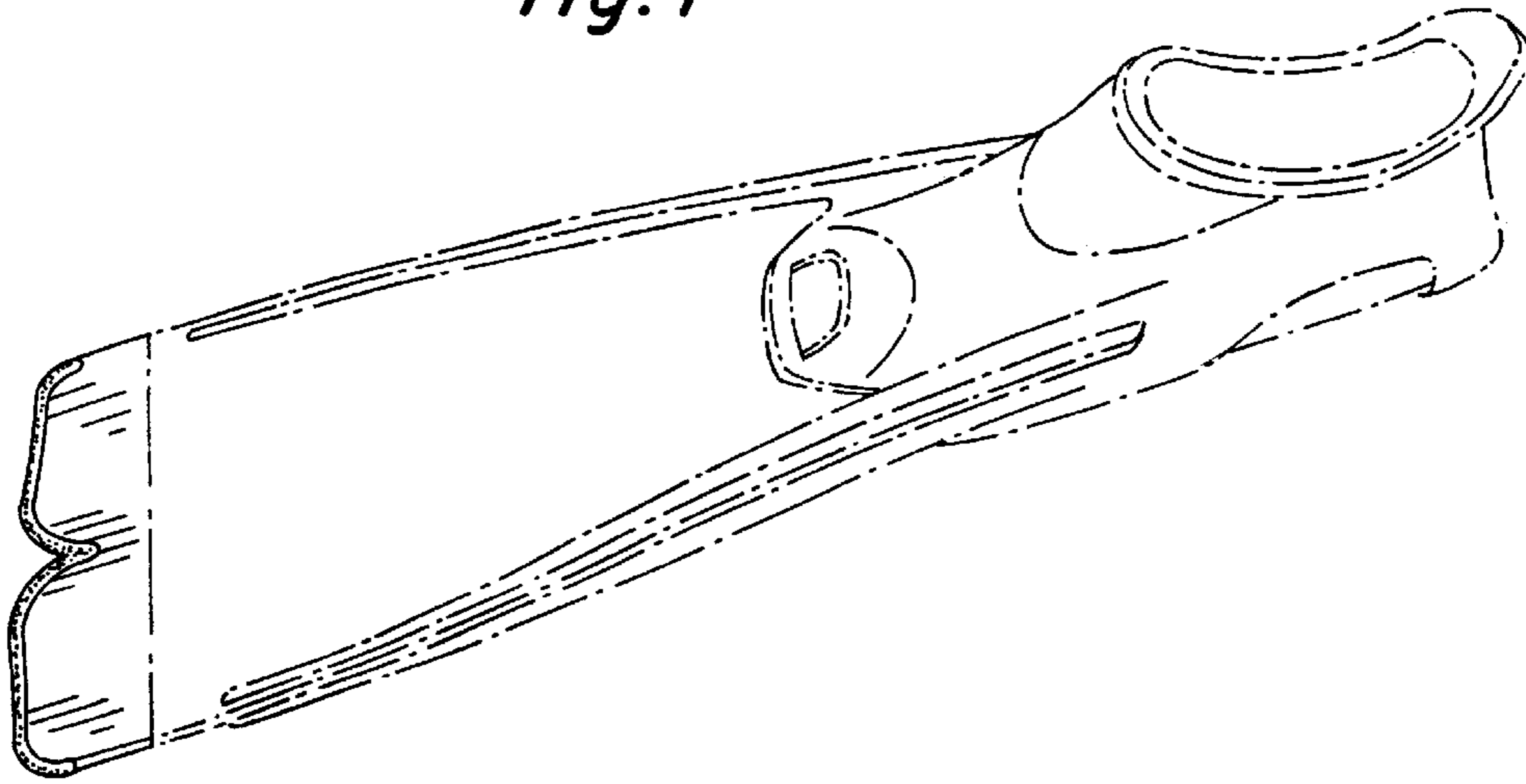
The broken lines shown in FIGS. 1–6 are for illustrative purposes only and form no part of the claimed design.

FIGS. 5 and 6 in the drawings are shown on a reduced scale.

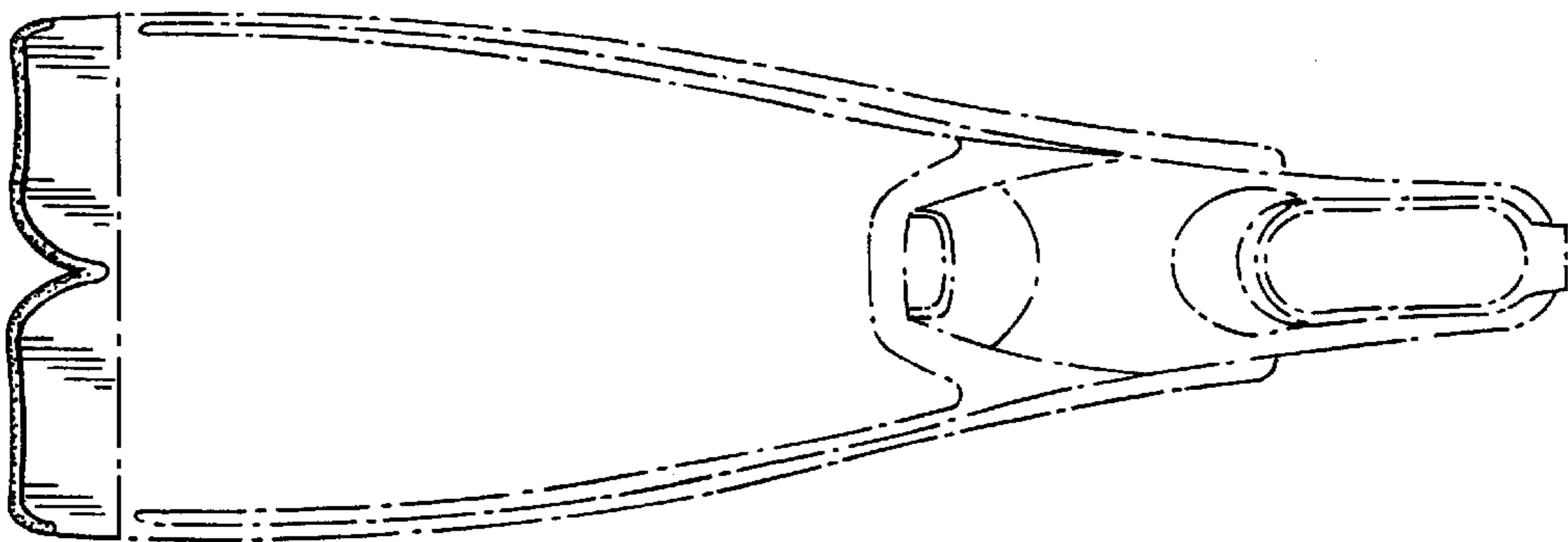
**1 Claim, 2 Drawing Sheets**



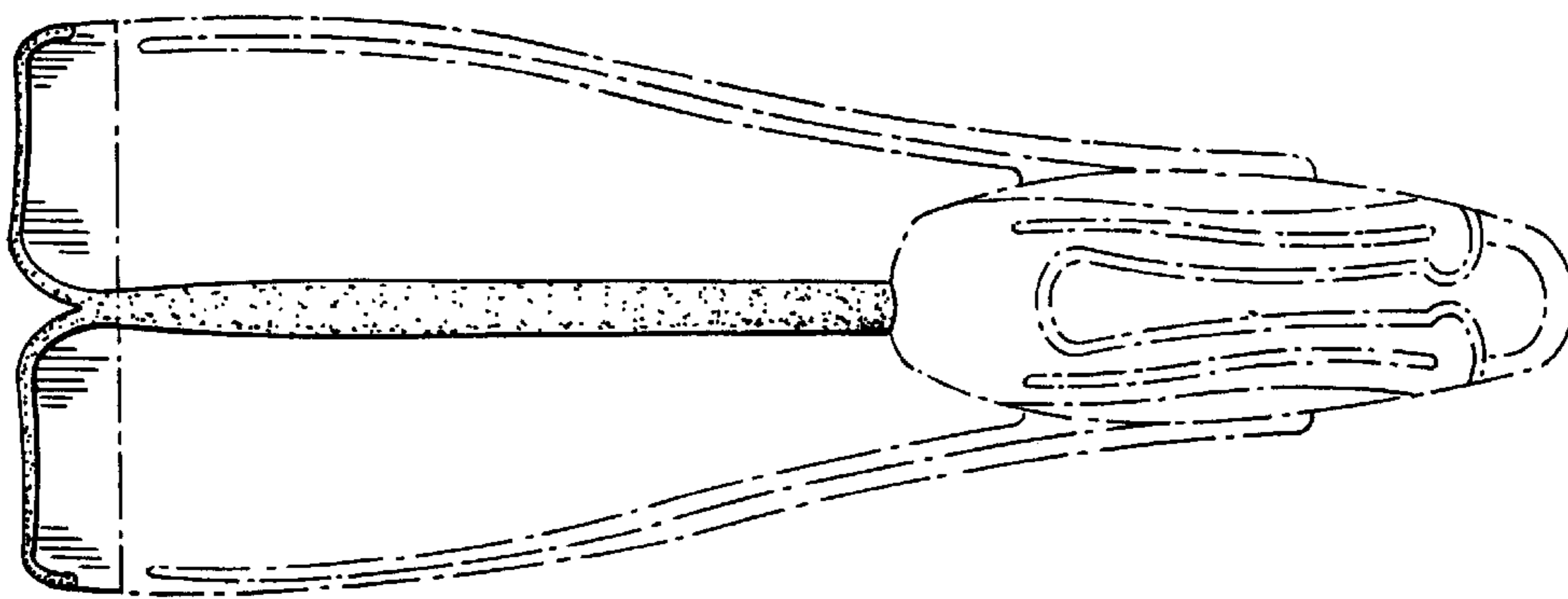
*fig. 1*



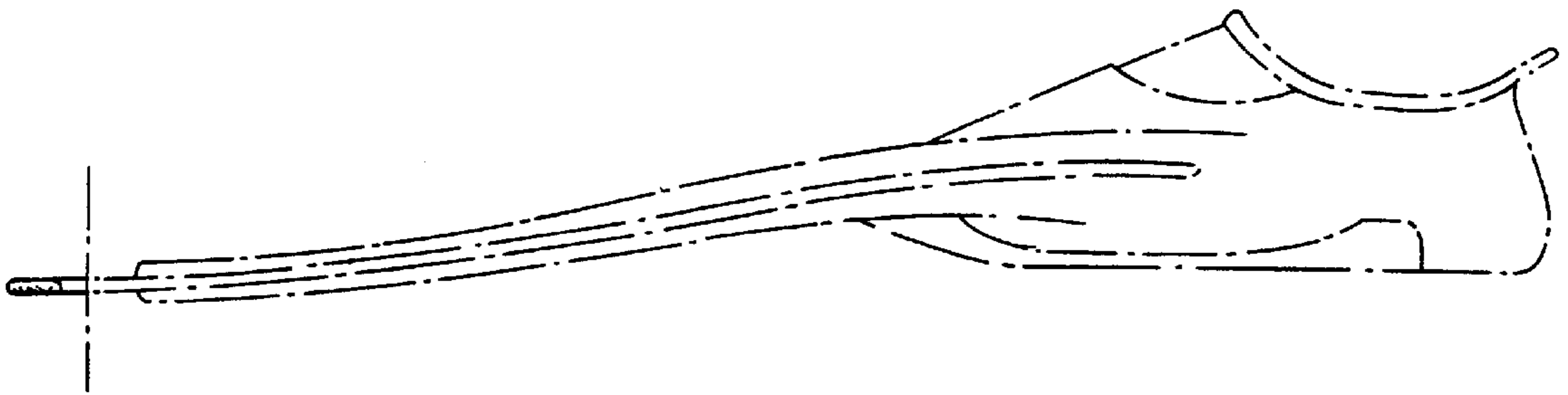
*fig. 2*



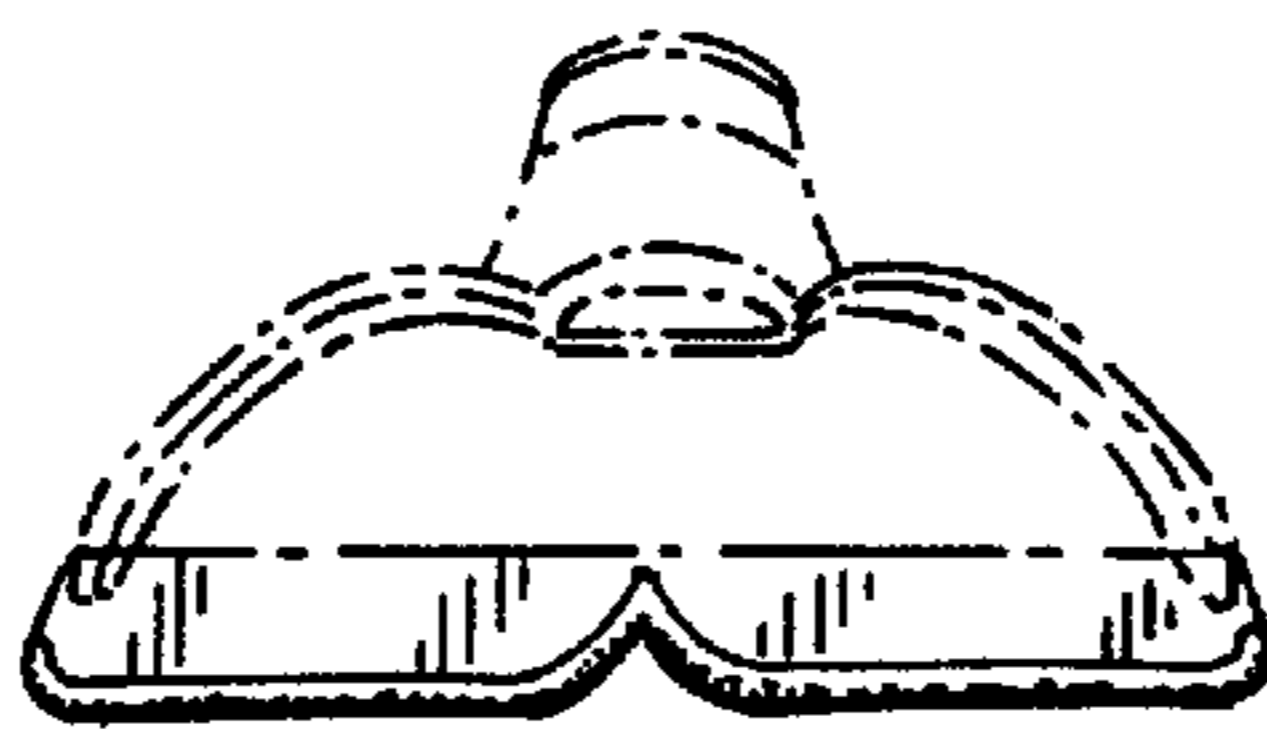
*fig. 3*



*fig. 4*



*fig. 5*



*fig. 6*

