



US00D470550S

(12) **United States Design Patent**
Wyatt

(10) **Patent No.:** **US D470,550 S**

(45) **Date of Patent:** **** Feb. 18, 2003**

(54) **HANDICAPPED ACCESSORY KIT FOR A DOLL**

D372,504 S * 8/1996 Jacobsen D21/658
D376,690 S * 12/1996 Lockerby D3/274
D382,917 S * 8/1997 Brodoski D21/425

(76) Inventor: **Lisa M. Wyatt**, 63 Dogwalk La., Afton, TN (US) 37616

OTHER PUBLICATIONS

“People of Every Stripe” Doll catalog, copy printed from web page www.shellab.com on Aug. 14, 1997, dolls with handicapped accessories.*

(**) Term: **14 Years**

* cited by examiner

(21) Appl. No.: **29/156,067**

(22) Filed: **Feb. 25, 2002**

Primary Examiner—Lucy Lieberman
(74) *Attorney, Agent, or Firm*—Donald R. Schoonover

(51) **LOC (7) Cl.** **21-01**

(52) **U.S. Cl.** **D21/658; D21/529**

(58) **Field of Search** D21/658, 529, D21/521, 483, 621, 631, 424; D3/203, 273, 274, 294, 295; D9/347; 434/262; 446/472, 296, 268, 269

(57) **CLAIM**

I claim the ornamental design for a handicapped accessory kit for a doll, as shown and described.

(56) **References Cited**

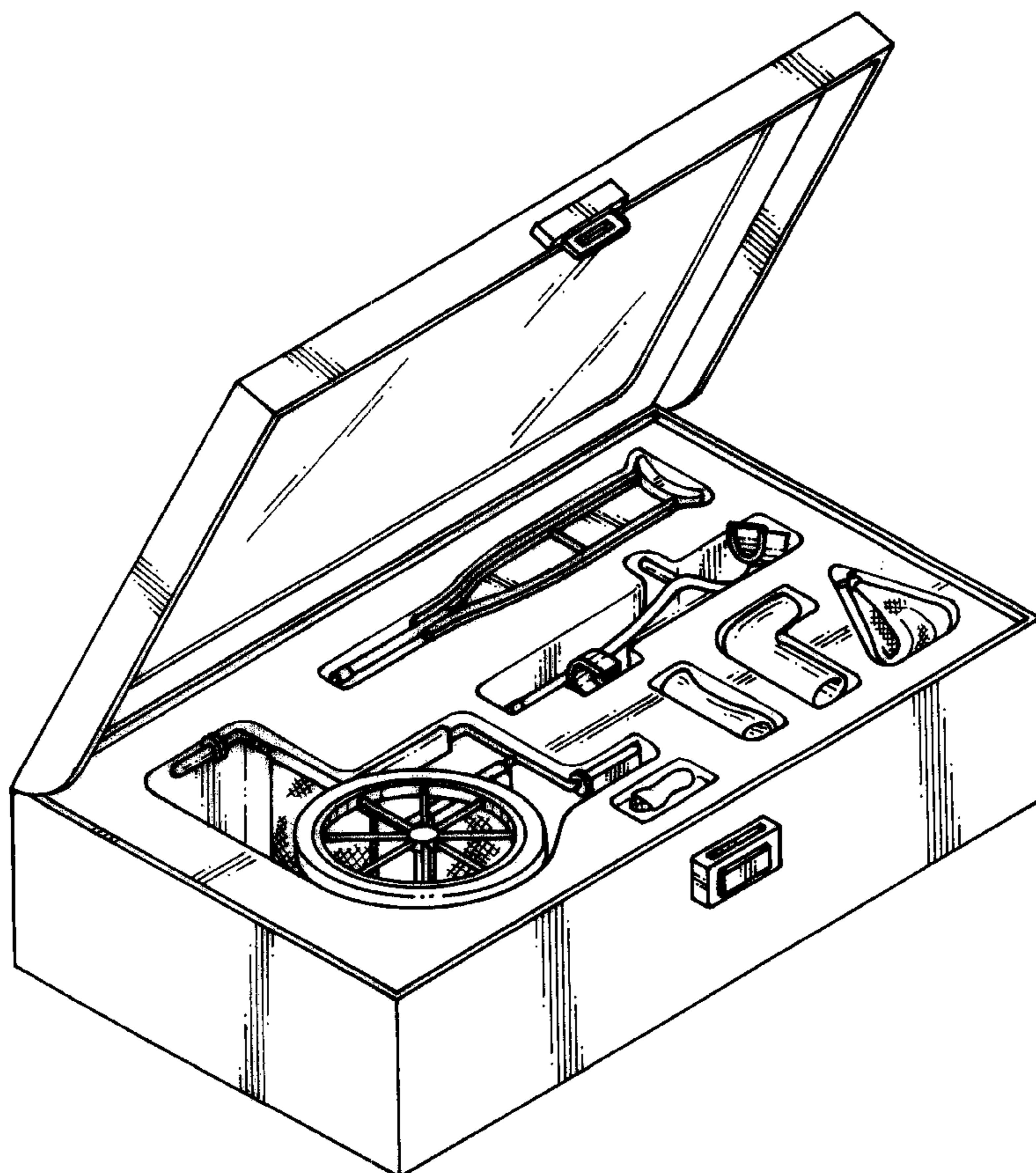
DESCRIPTION

U.S. PATENT DOCUMENTS

3,977,122	A	8/1976	Meyer et al.	
4,307,539	A	* 12/1981	Klein	446/472
4,573,927	A	3/1986	Newman	
4,664,396	A	5/1987	Pistrafesa	
D337,886	S	* 8/1993	Feinbloom	D3/295
5,232,369	A	8/1993	Mavrikis	434/262
D341,388	S	* 11/1993	Rocco	D21/483
5,415,580	A	5/1995	Ferri	
5,439,407	A	8/1995	Friedel	

FIG. 1 is a perspective view of a handicapped accessory kit for a doll embodying the design of the present invention. FIG. 2 is a front elevational view thereof; FIG. 3 is a rear elevational view thereof; FIG. 4 is a left side elevational view thereof, the right side being identical but a mirror image thereof; FIG. 5 is a top plan view thereof; and, FIG. 6 is a bottom plan view thereof.

1 Claim, 5 Drawing Sheets



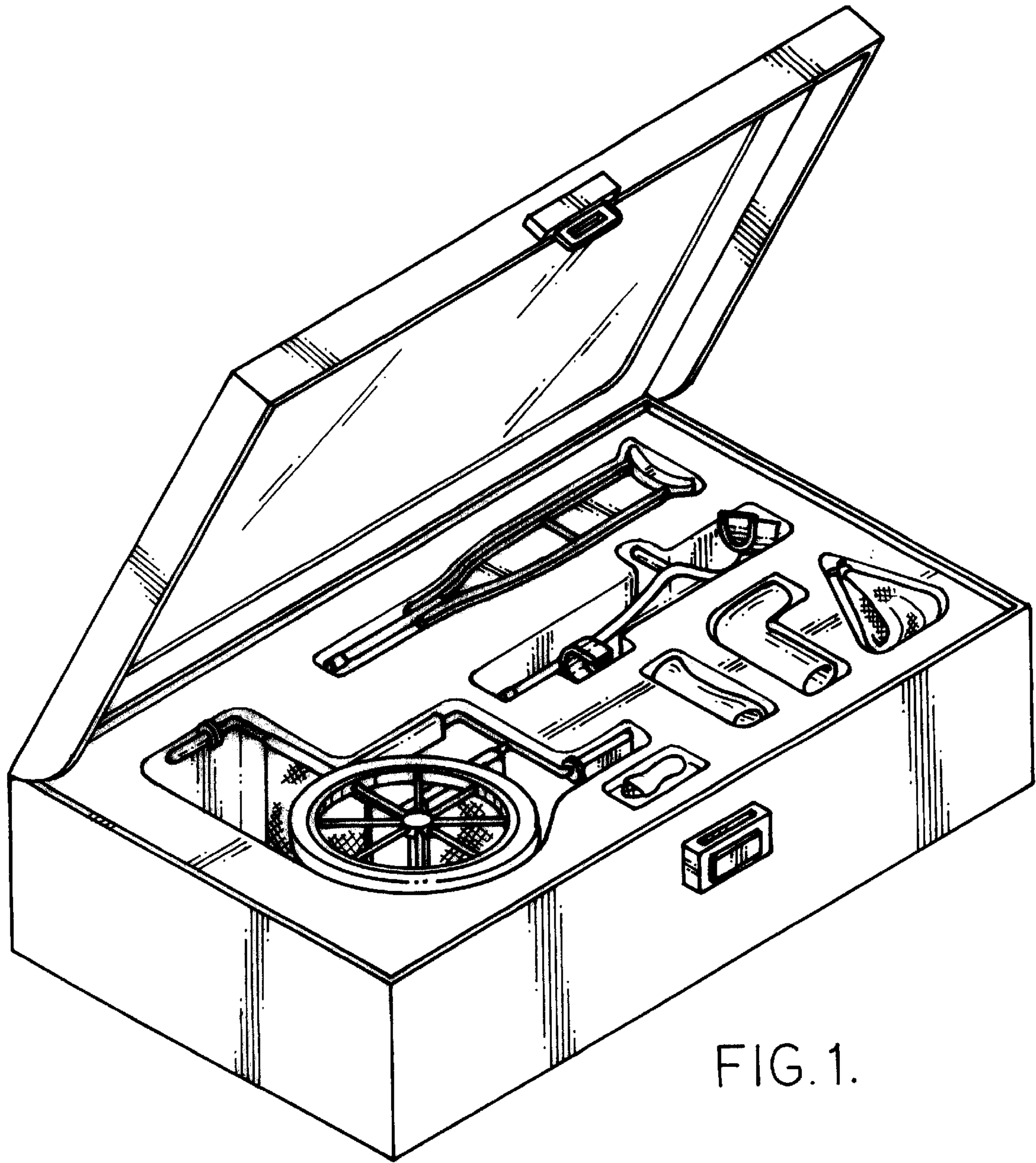


FIG. 1.

FIG.2.

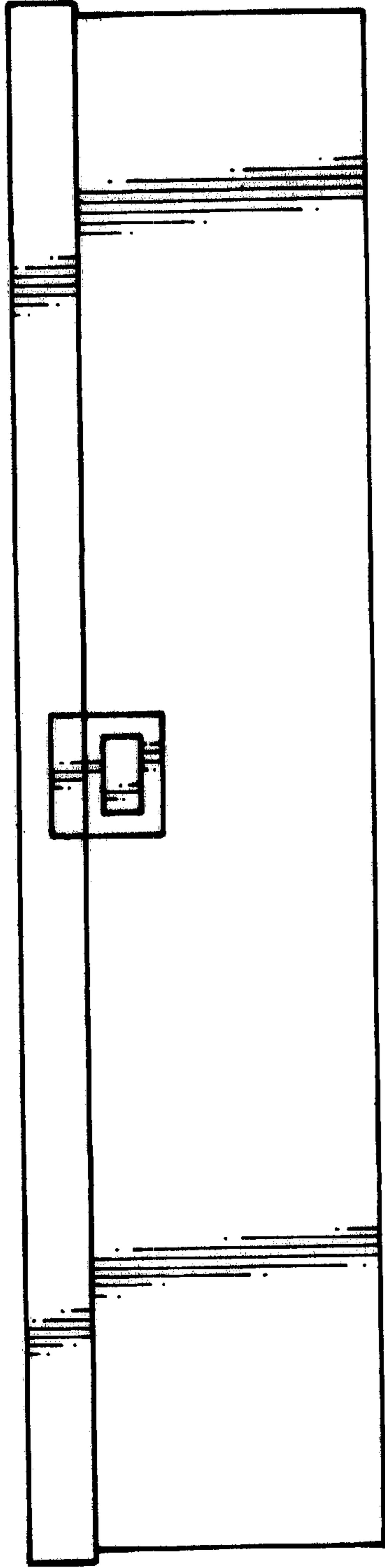
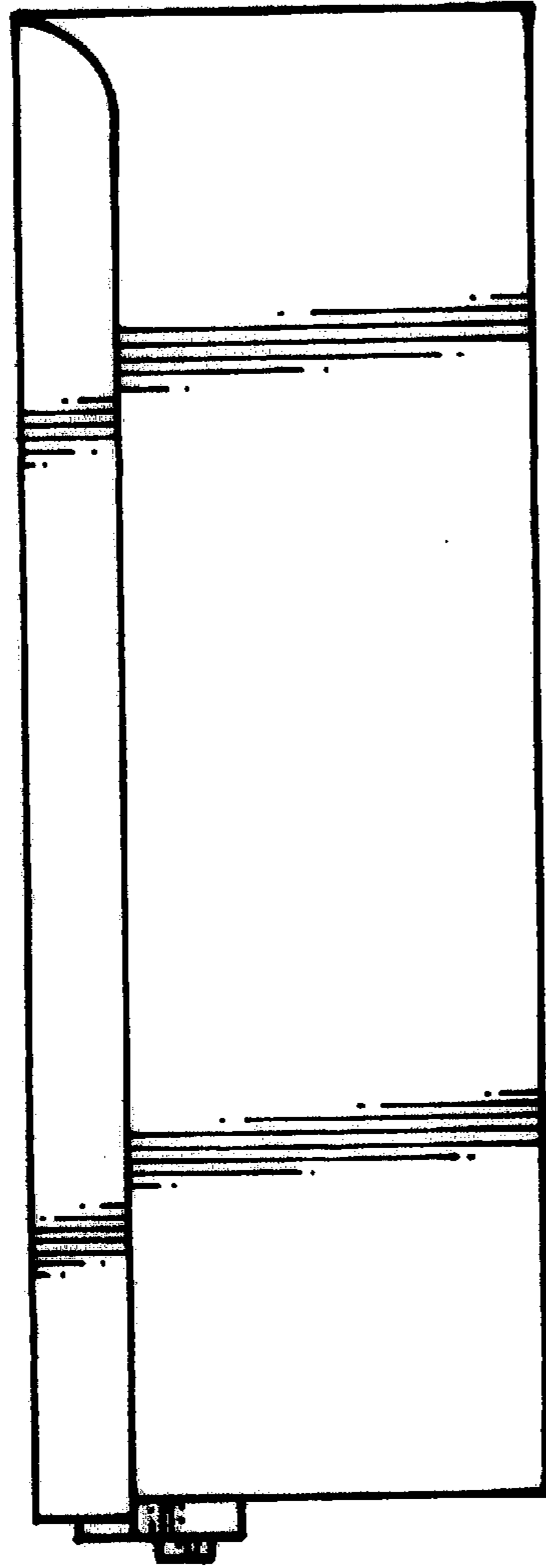


FIG.4.



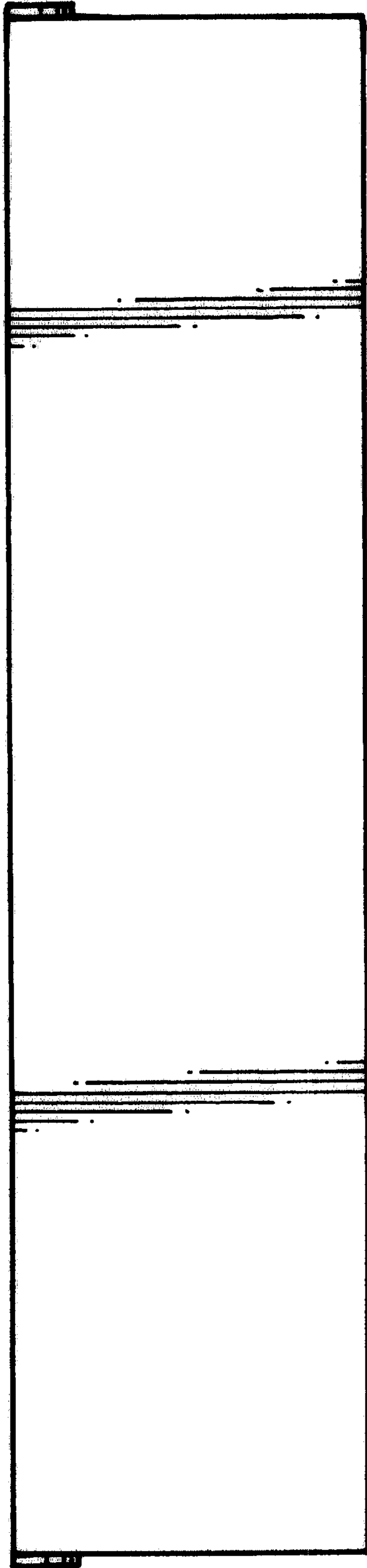


FIG. 3.

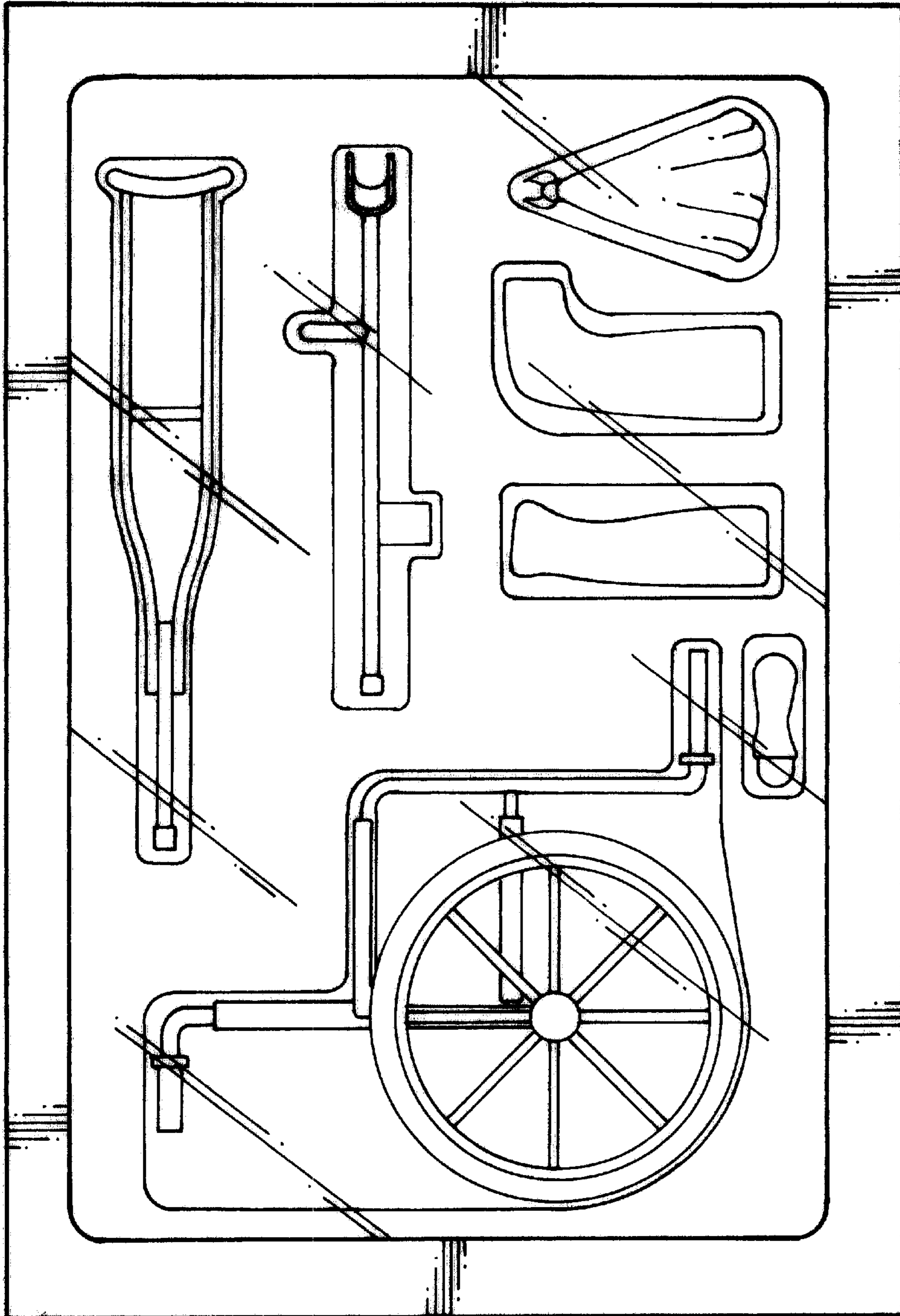


FIG. 5.

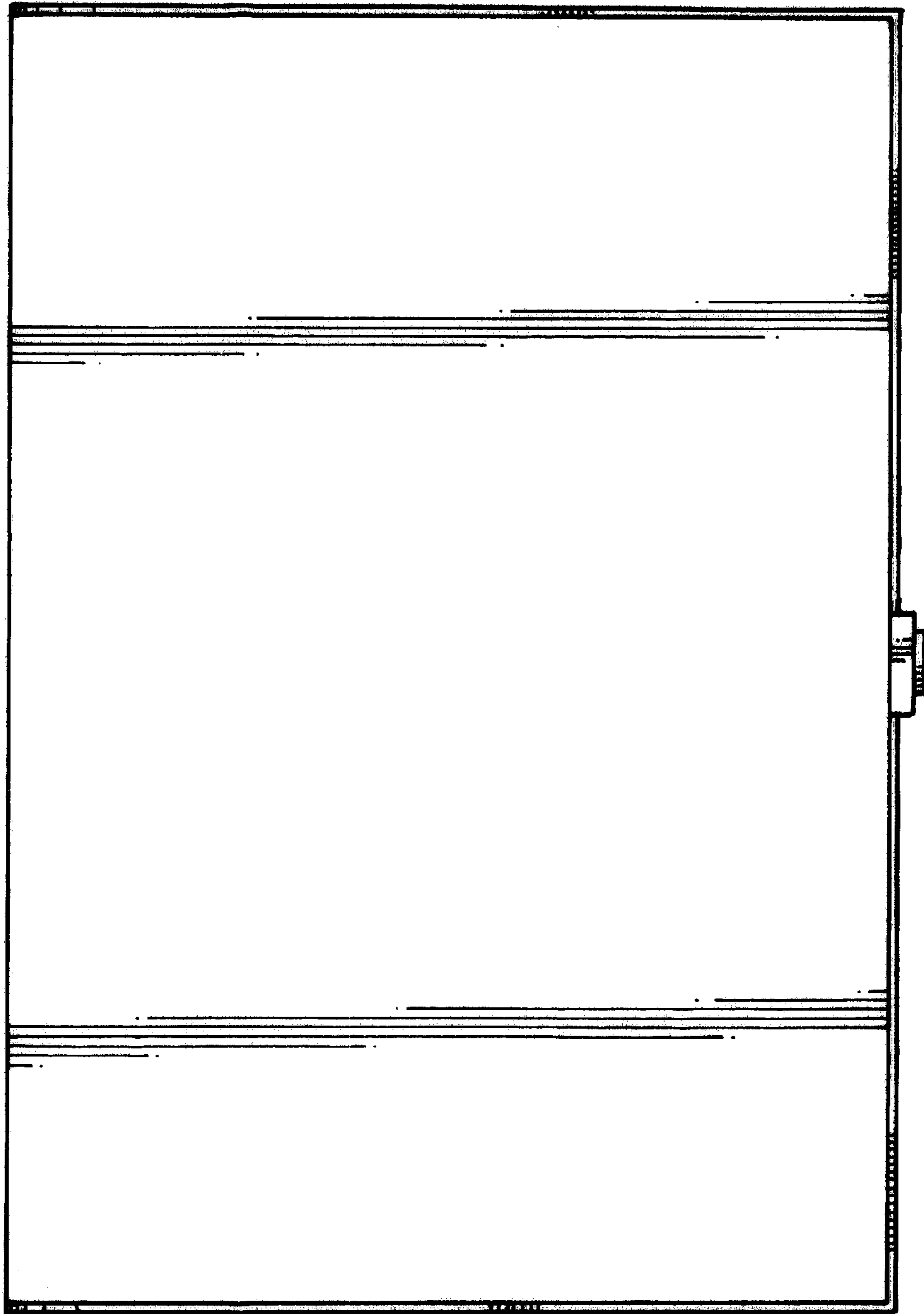


FIG. 6.