



US00D470544S

(12) **United States Design Patent**  
**Uetake**

(10) **Patent No.:** **US D470,544 S**

(45) **Date of Patent:** **\*\* Feb. 18, 2003**

(54) **REMOTE CONTROLLED TOY**

(75) Inventor: **Tsugio Uetake**, Tokyo (JP)

(73) Assignee: **Nikko Co., Ltd.**, Tokyo (JP)

(\*\*) Term: **14 Years**

(21) Appl. No.: **29/159,310**

(22) Filed: **Apr. 19, 2002**

(51) **LOC (7) Cl.** ..... **21-01**

(52) **U.S. Cl.** ..... **D21/545**

(58) **Field of Search** ..... D21/542-547;  
D12/300-318; 114/331, 332; 446/154, 153,  
155, 160-165

(56) **References Cited**

**U.S. PATENT DOCUMENTS**

2,214,270	A	*	9/1940	Buehler	.....	446/162
D245,529	S	*	8/1977	Hudson et al.	.....	D21/545
D326,692	S	*	6/1992	Taylor et al.	.....	D21/545
D415,464	S	*	10/1999	Frechette	.....	D12/308

\* cited by examiner

*Primary Examiner*—Raphael Barkai

(74) *Attorney, Agent, or Firm*—Young & Thompson

(57) **CLAIM**

The ornamental design for a remote controlled toy, as shown.

**DESCRIPTION**

FIG. 1 is a top, front and side perspective view of a remote controlled toy, showing my new design;

FIG. 2 is a side elevational view thereof;

FIG. 3 is a side elevational view thereof from the side opposite that shown in FIG. 2;

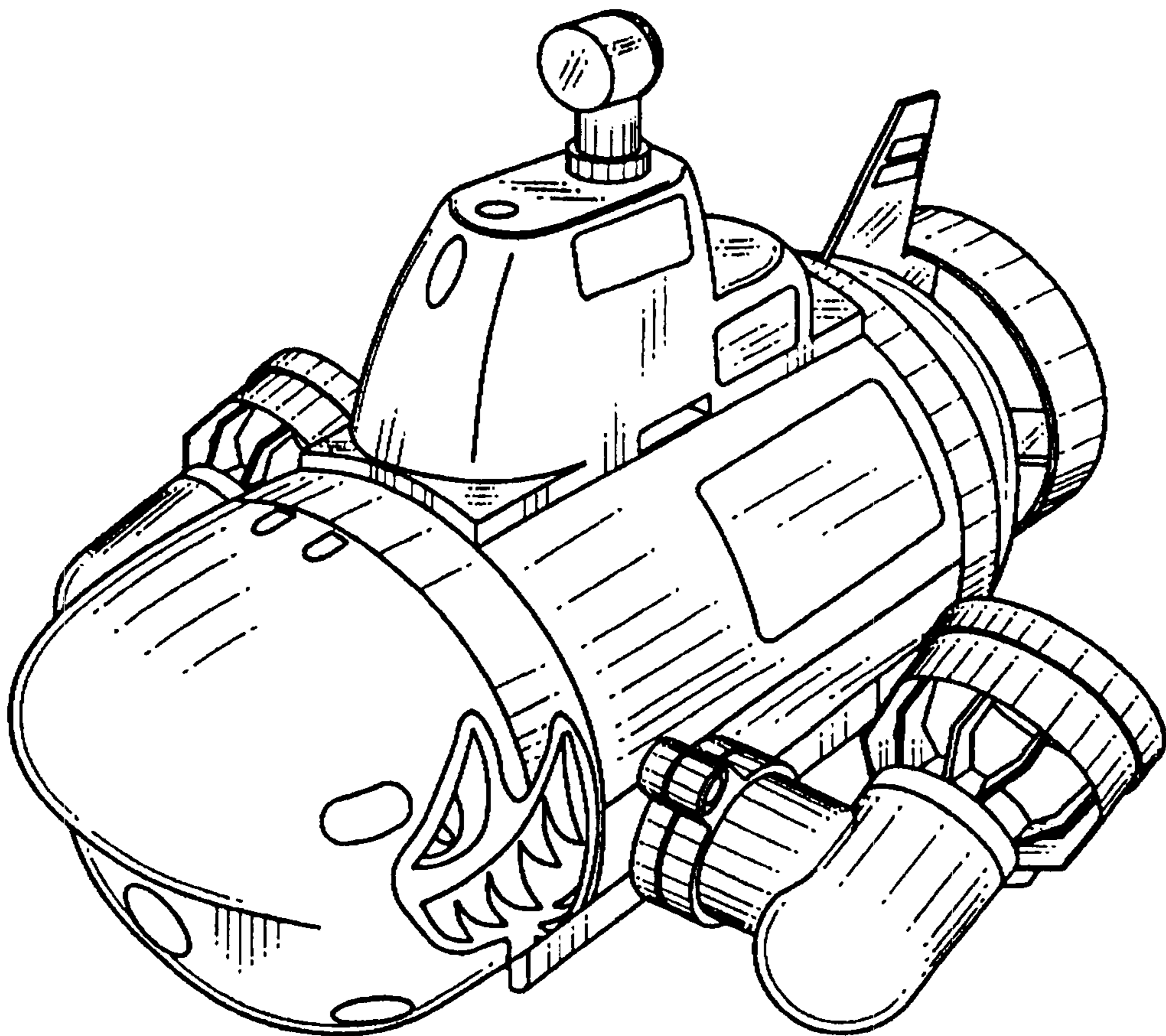
FIG. 4 is a rear elevational view thereof from the right of FIG. 2;

FIG. 5 is a front elevational view thereof from the left of FIG. 2;

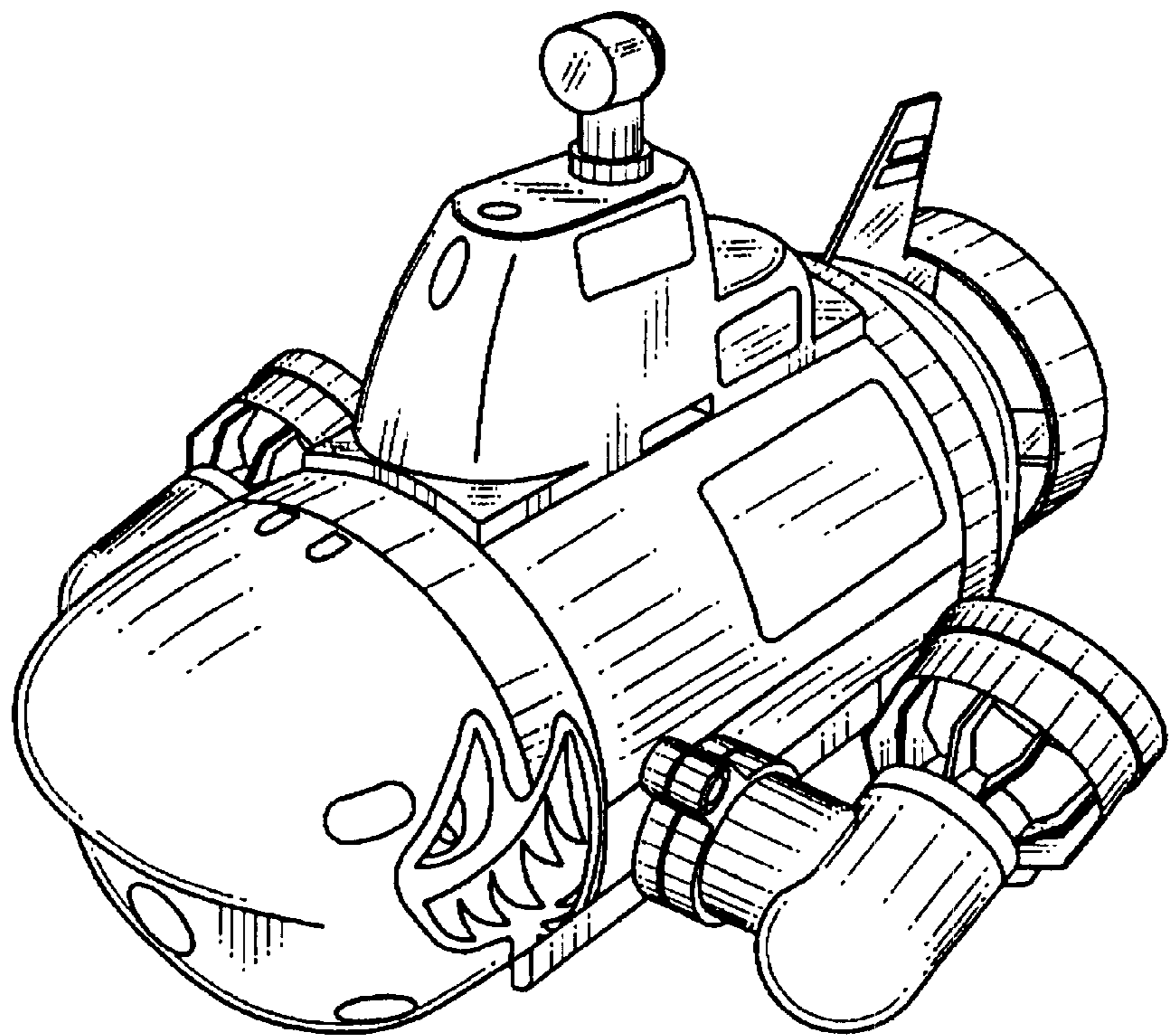
FIG. 6 is a top plan view thereof; and,

FIG. 7 is a bottom plan view thereof.

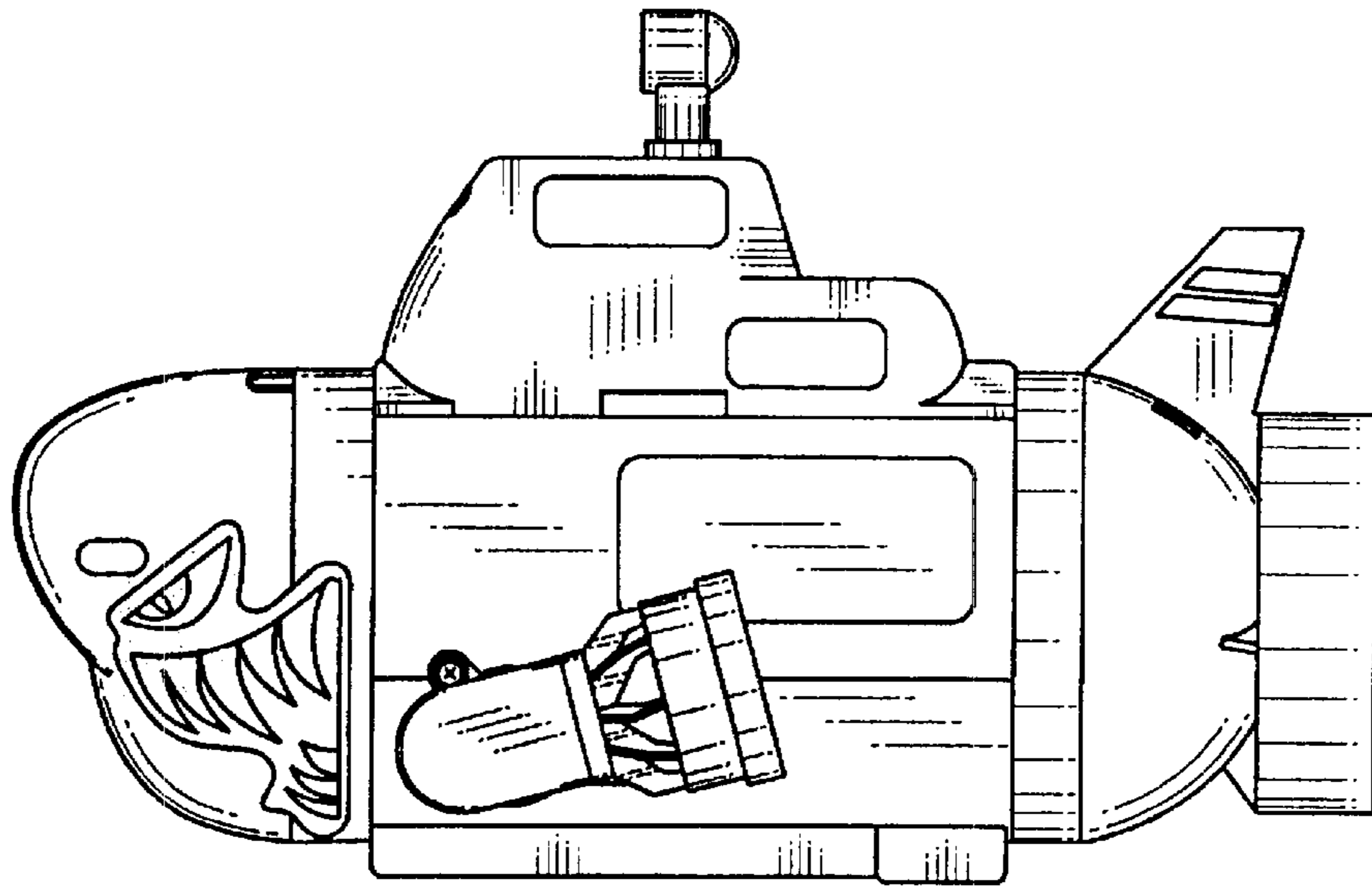
**1 Claim, 4 Drawing Sheets**



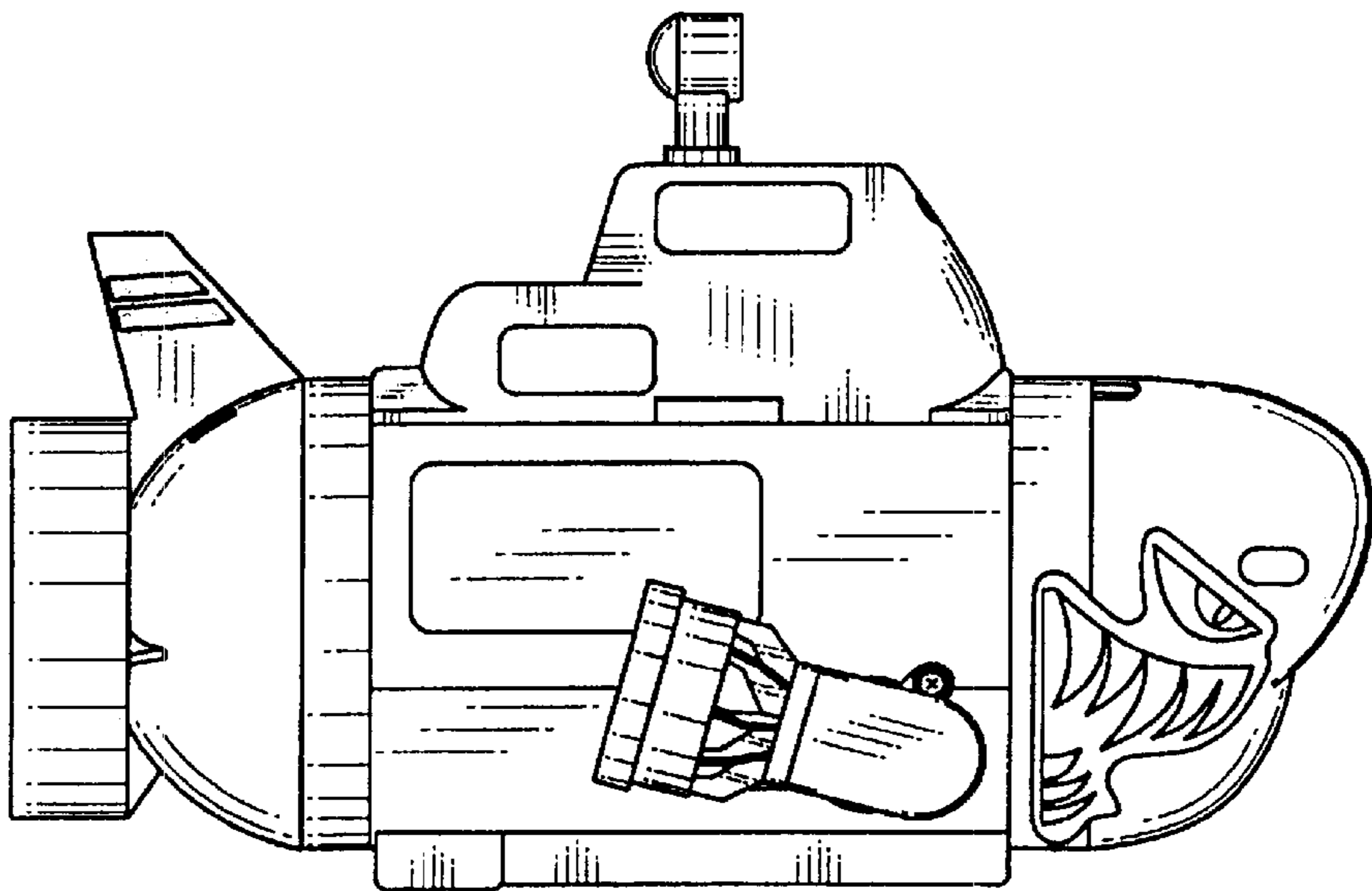
*FIG. 1*



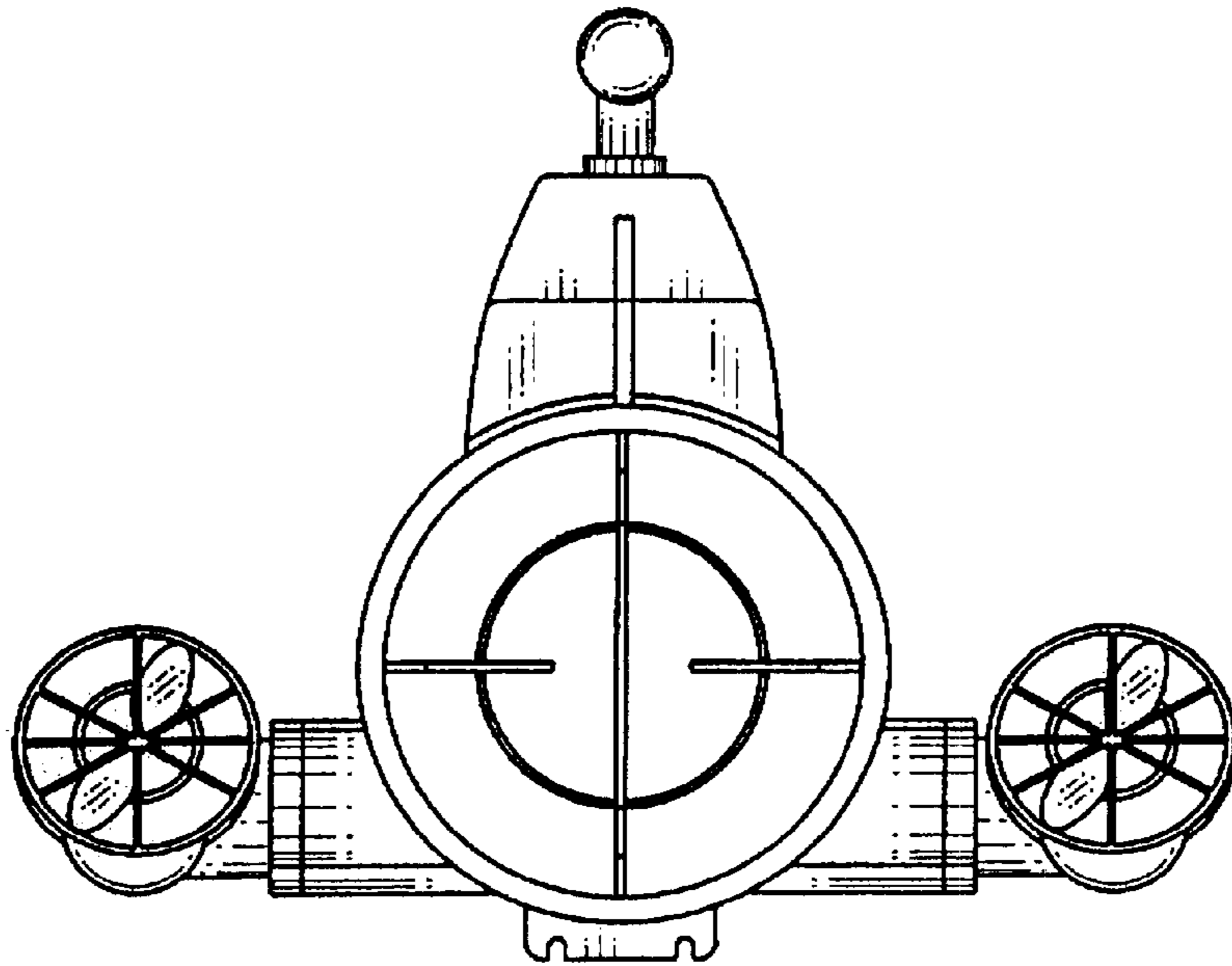
*FIG. 2*



*FIG. 3*



*FIG. 4*



*FIG. 5*

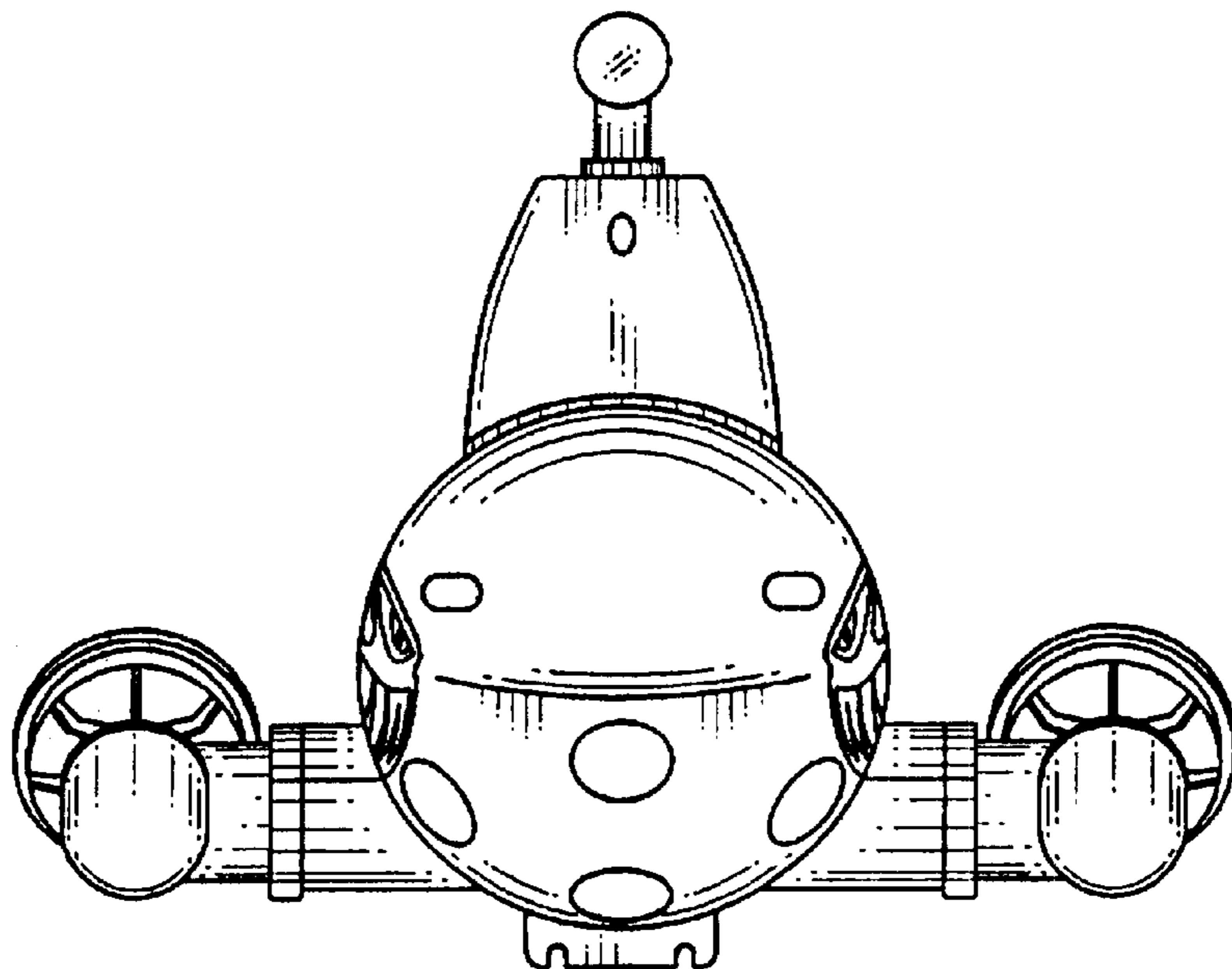


FIG. 6

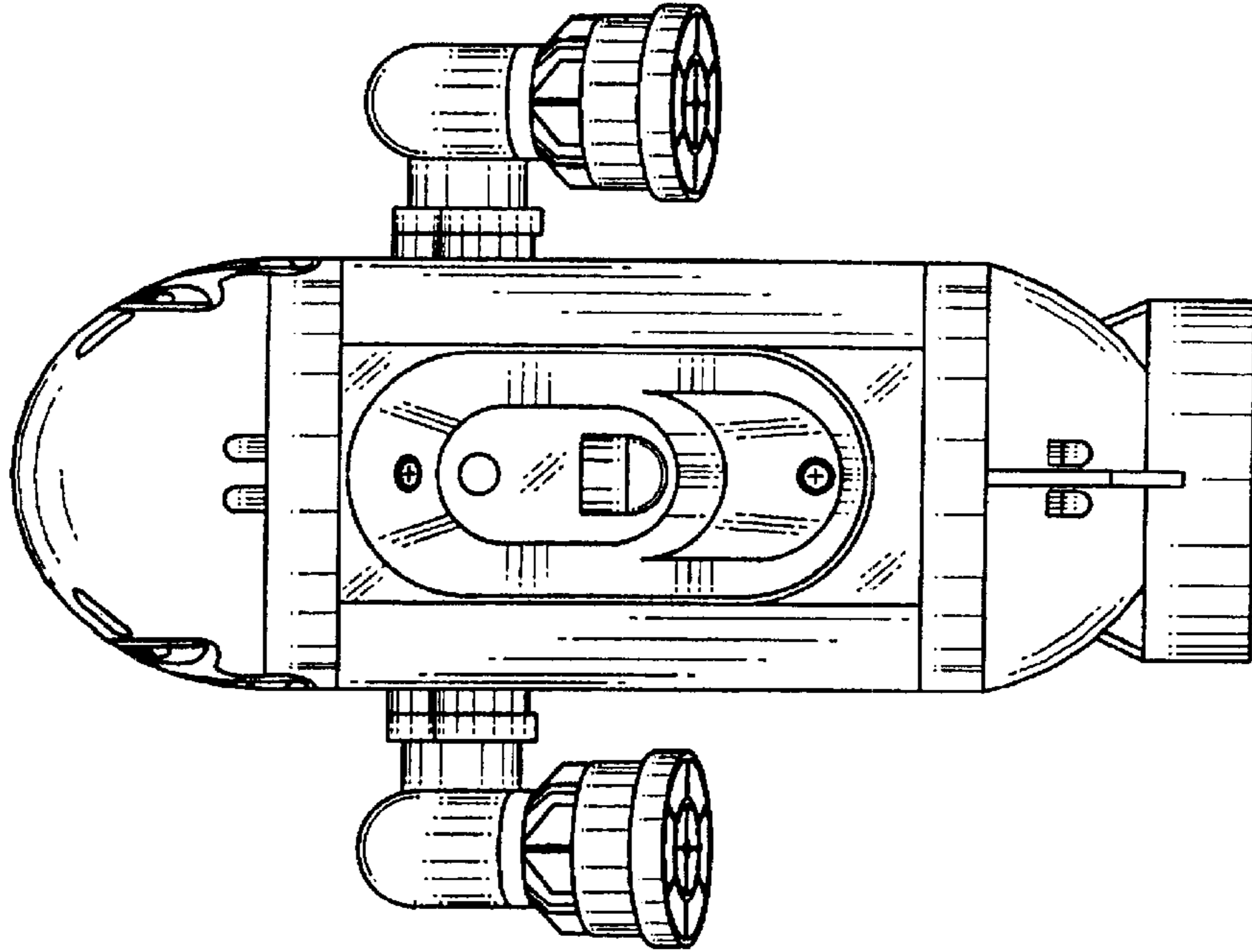


FIG. 7

