



US00D470540S

(12) **United States Design Patent**
Seelig et al.

(10) **Patent No.:** **US D470,540 S**

(45) **Date of Patent:** **** Feb. 18, 2003**

(54) **GAMING DEVICE DISPLAY**

OTHER PUBLICATIONS

(75) Inventors: **Jerald C. Seelig**, Absecon, NJ (US);
Lawrence M. Henshaw, Hammonton,
NJ (US)

Slot Machine Buyer's Handbook, copyright 1998. p. 39, slot
machine.*

* cited by examiner

(73) Assignee: **Atlantic City Coin & Slot Service
Company, Inc.**, Pleasantville, NJ (US)

Primary Examiner—Sandra L. Morris

(74) *Attorney, Agent, or Firm*—Ian F. Burns & Associates;
Rolando J. Tong

(**) Term: **14 Years**

(21) Appl. No.: **29/167,127**

(22) Filed: **Sep. 9, 2002**

(51) **LOC (7) Cl.** **21-03**

(52) **U.S. Cl.** **D21/385; D21/370**

(58) **Field of Search** D21/369–371,
D21/375, 385; 273/274; 463/17, 20, 46–47

(56) **References Cited**

U.S. PATENT DOCUMENTS

D243,375 S	*	2/1977	DiOrio	D21/370
D461,207 S	*	8/2002	Seelig et al.	D21/370
D462,399 S	*	9/2002	Seelig et al.	D21/370

(57) **CLAIM**

The ornamental design for a gaming device display, as
shown and described.

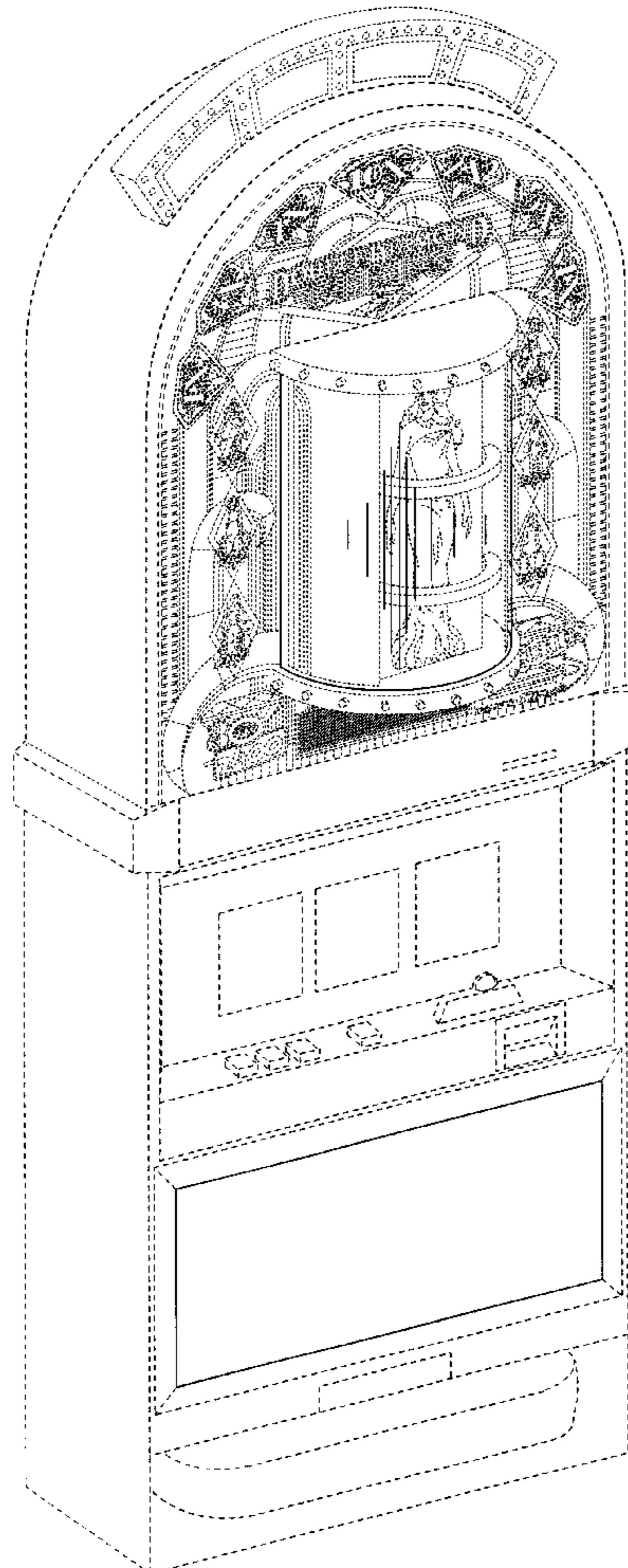
DESCRIPTION

FIG. 1 is a perspective view of the gaming device display.
FIG. 2 is a front elevational view of the gaming device
display; and,

FIG. 3 is a right side view of the gaming device display.

Broken lines illustrate features or environmental compo-
nents that are not part of the design sought to be patented.

1 Claim, 3 Drawing Sheets



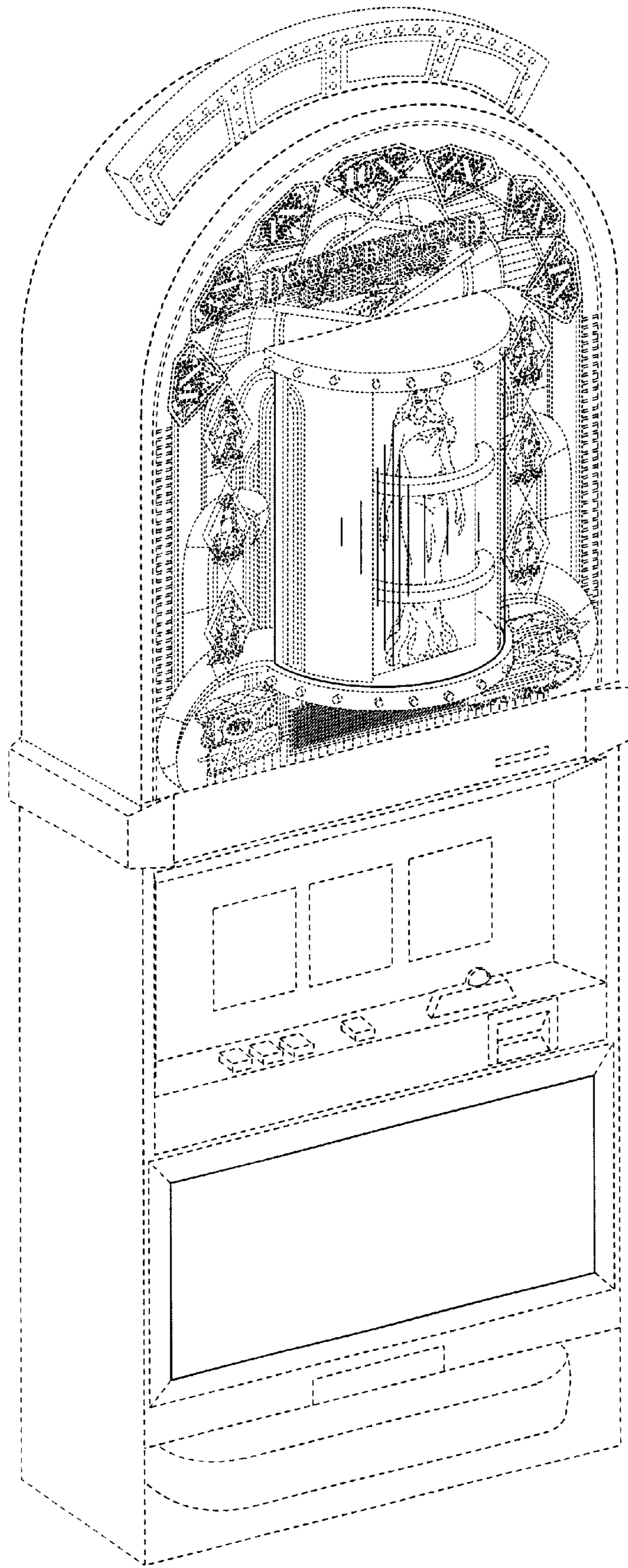


FIG. 1.

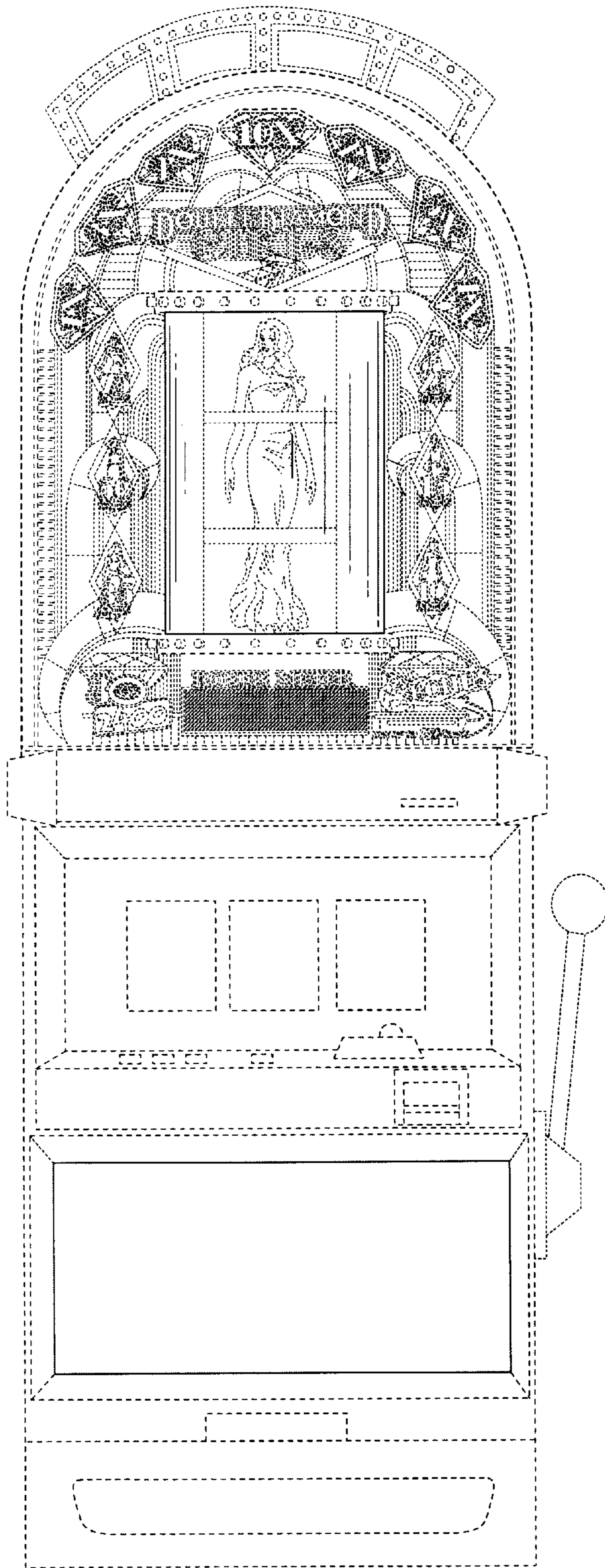


FIG. 2.

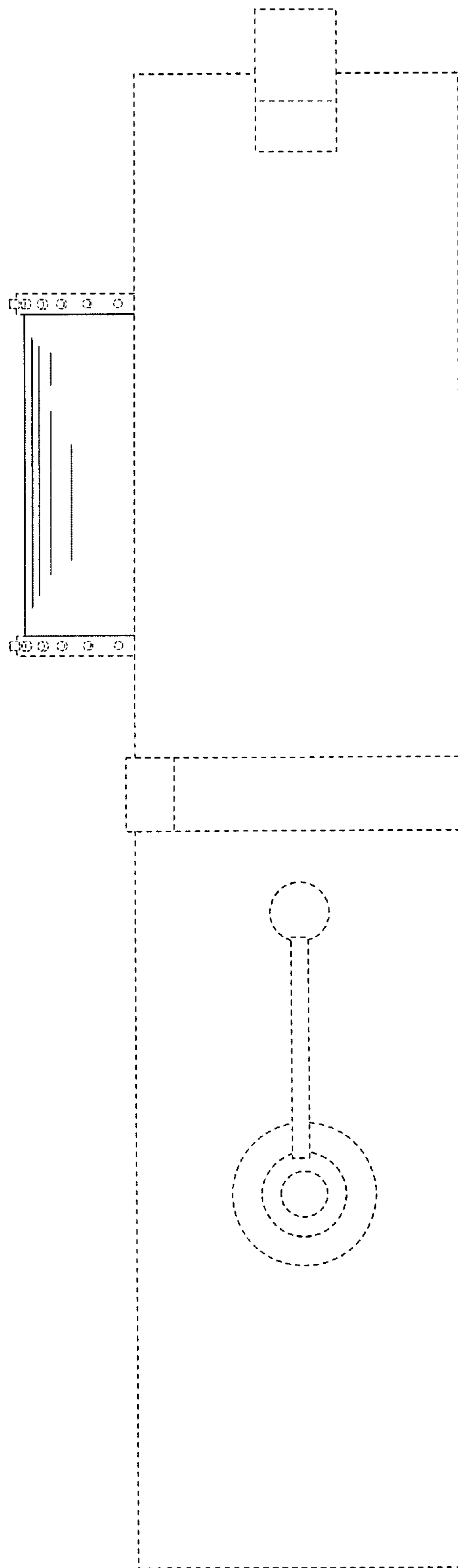


FIG. 3.