



US00D470537S

(12) **United States Design Patent**  
**Kinzer**

(10) **Patent No.:** **US D470,537 S**

(45) **Date of Patent:** **\*\* Feb. 18, 2003**

(54) **GAMEBOARD**

(76) Inventor: **Craig E Kinzer**, 1201 Third Ave.,  
Seattle, WA (US) 98101

(\*\*) Term: **14 Years**

(21) Appl. No.: **29/151,857**

(22) Filed: **Dec. 7, 2001**

(51) **LOC (7) Cl.** ..... **21-01**

(52) **U.S. Cl.** ..... **D21/335; D21/362**

(58) **Field of Search** ..... **D21/334-368;**  
**273/236-285**

(56) **References Cited**

**U.S. PATENT DOCUMENTS**

2,531,510	A	*	11/1950	Heacock	.....	D21/335
3,734,508	A	*	5/1973	Snyder	.....	273/249
4,887,819	A	*	12/1989	Walker	.....	273/256
D340,953	S	*	11/1993	Langlotz	.....	D21/335
6,402,143	B1	*	6/2002	Brindley	.....	273/236

\* cited by examiner

*Primary Examiner*—Sandra L. Morris

(74) *Attorney, Agent, or Firm*—Vita G. Conforti; Davis  
Wright Tremaine LLP

(57) **CLAIM**

The ornamental design for a gameboard, as shown and  
described.

**DESCRIPTION**

FIG. 1 is a perspective view of a first embodiment of the  
gameboard.

FIG. 2 is a perspective view of a partially folded first  
embodiment of the gameboard.

FIG. 3 is a perspective view of a completely folded first  
embodiment of the gameboard.

FIG. 4 is a top view of a first embodiment of the gameboard.  
A bottom view would be an identical image of the top view.

FIG. 5 is a top view of a partially folded first embodiment  
of the gameboard.

FIG. 6 is a top view of a completely folded first embodiment  
of the gameboard.

FIG. 7 is a side view of an embodiment of the gameboard.

FIG. 8 is a side view of an embodiment of a partially folded  
gameboard.

FIG. 9 is a side view of an embodiment of a completely  
folded gameboard.

FIG. 10 is a perspective view of a second embodiment of the  
gameboard.

FIG. 11 is a perspective view of a partially folded second  
embodiment of the gameboard.

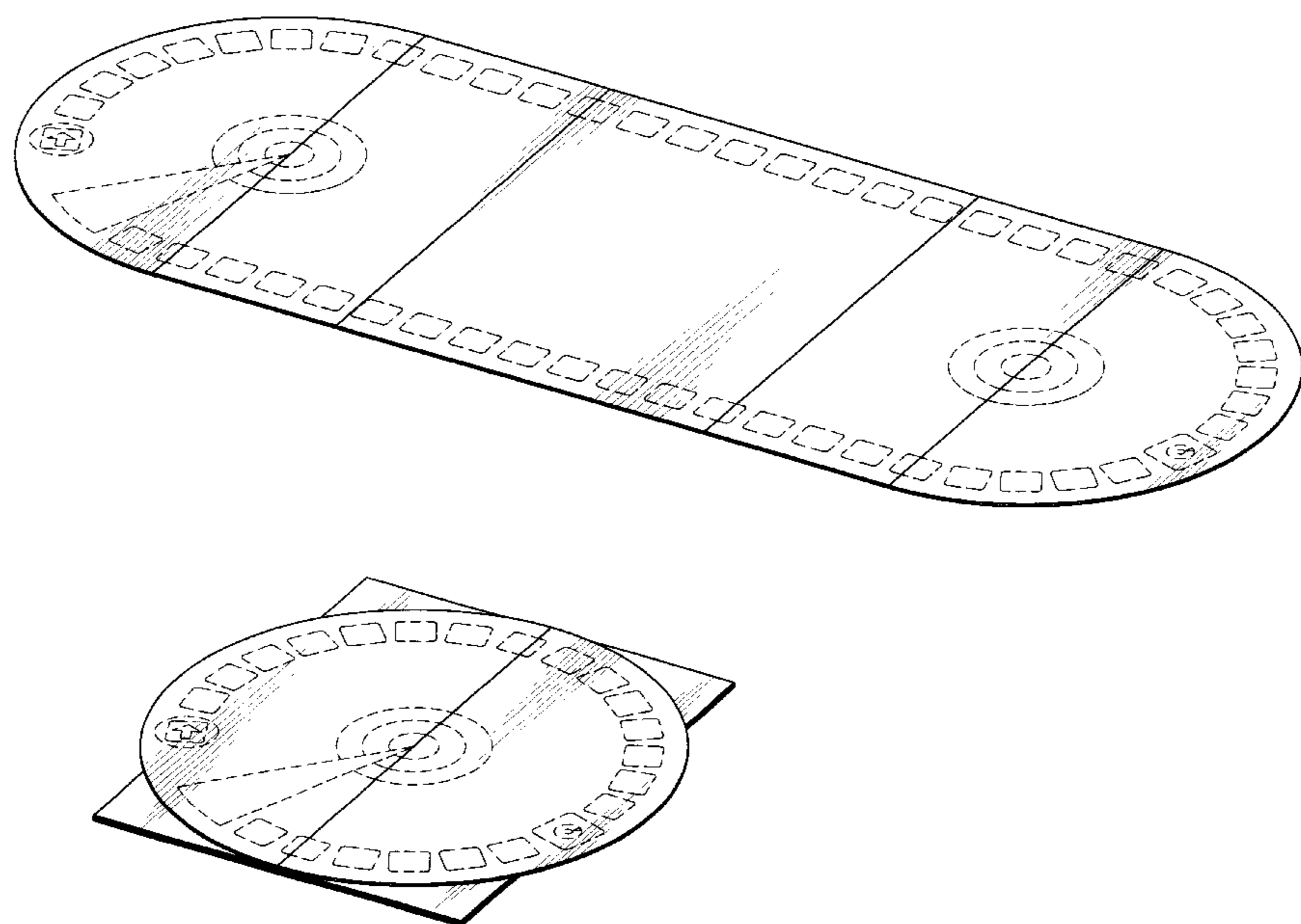
FIG. 12 is a perspective view of a completely folded second  
embodiment of the gameboard.

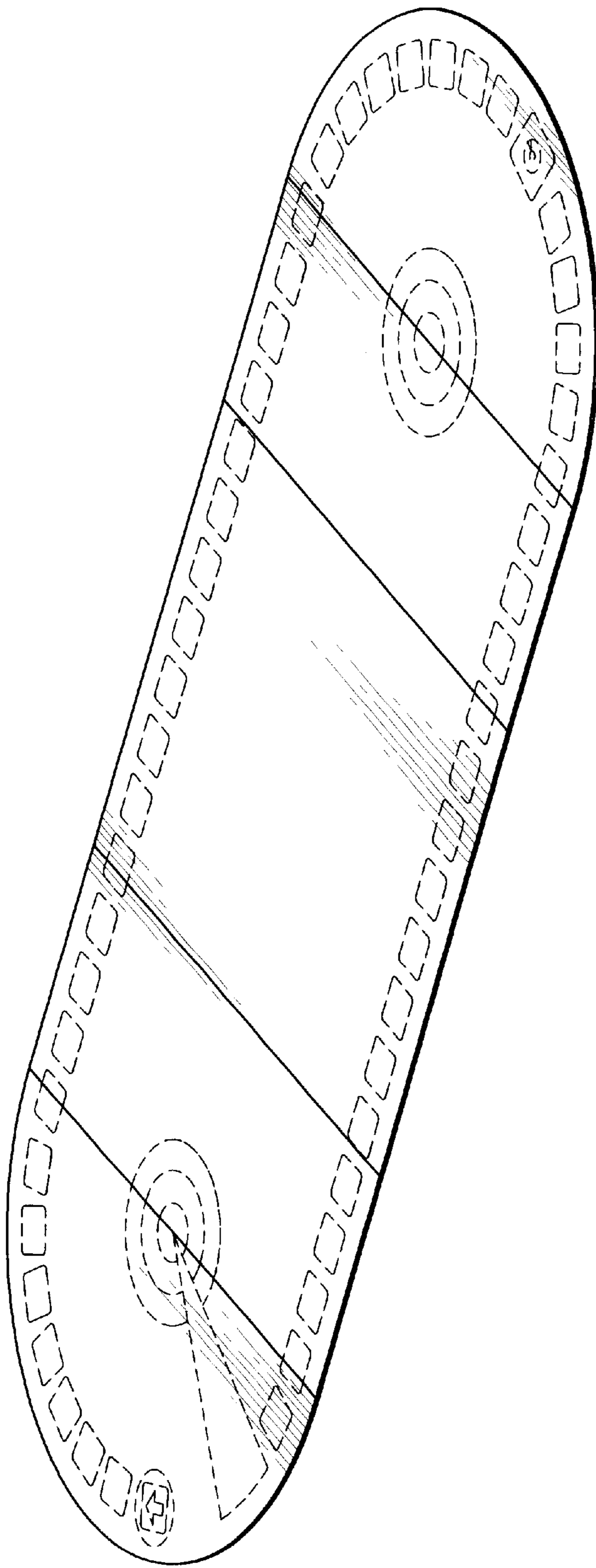
FIG. 13 is a top view of a second embodiment of the  
gameboard. A bottom view would be an identical image of  
the top view.

FIG. 14 is a top view of a partially folded second embodi-  
ment of the gameboard; and,

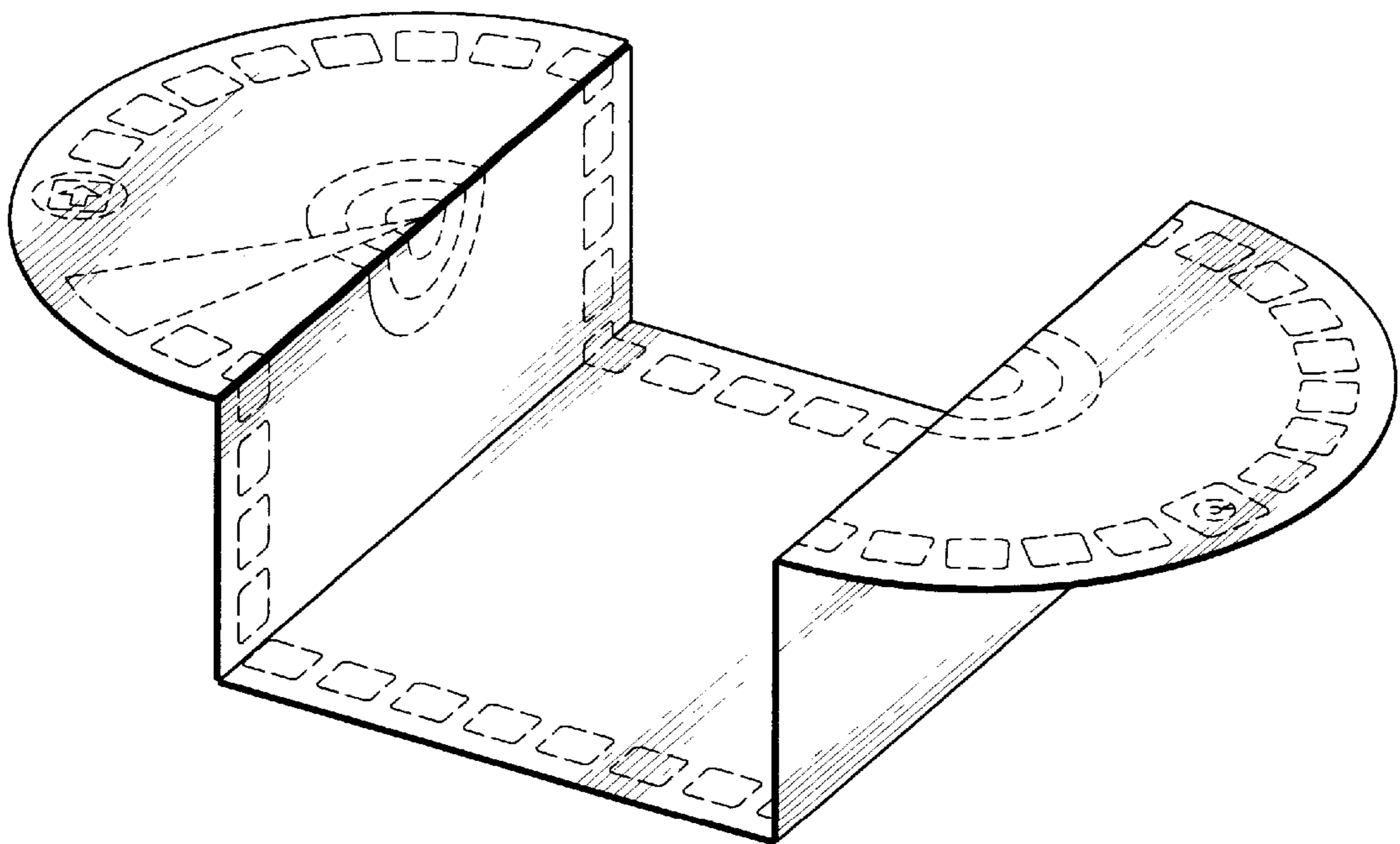
FIG. 15 is a top view of a completely folded second  
embodiment of the gameboard.

**1 Claim, 15 Drawing Sheets**

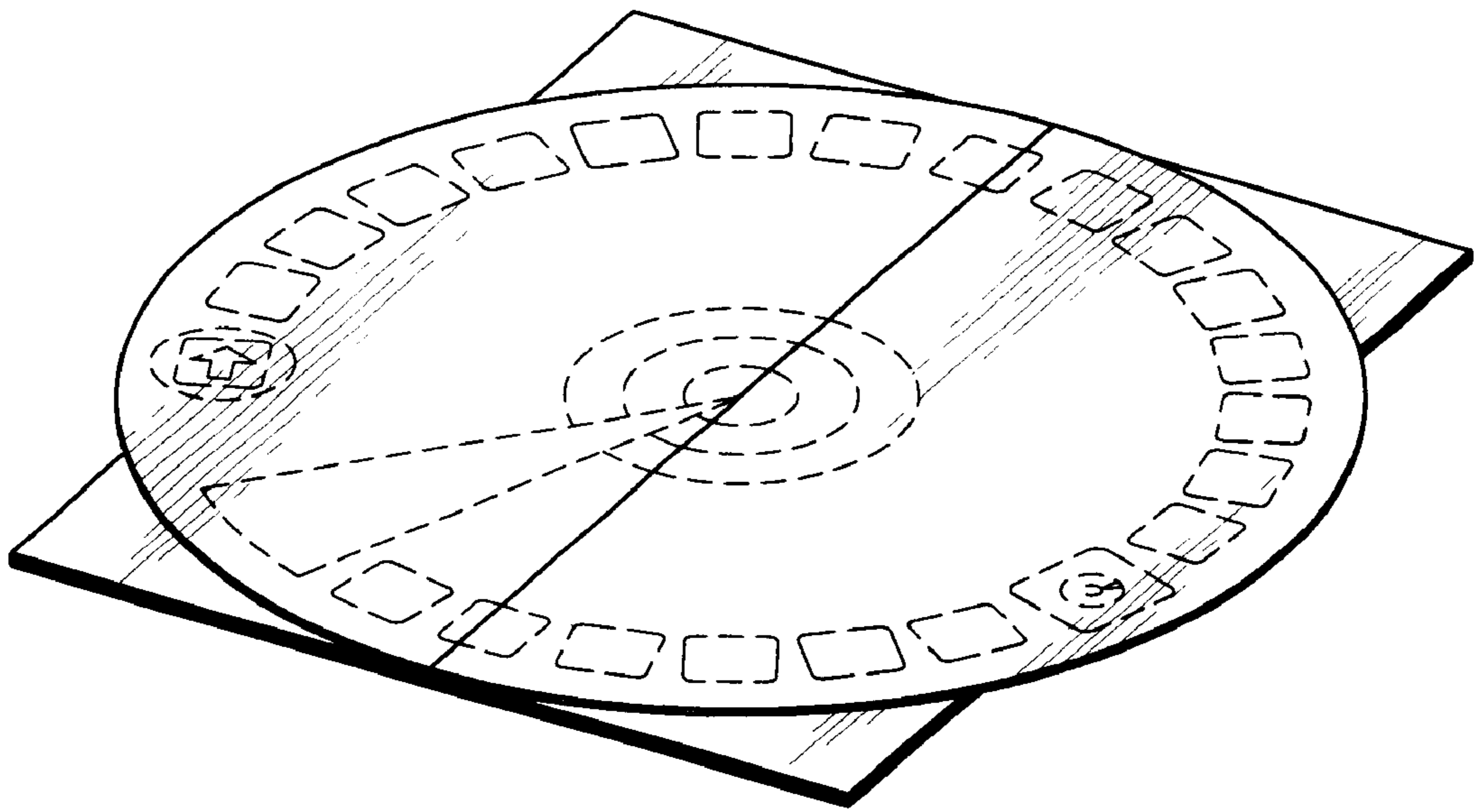




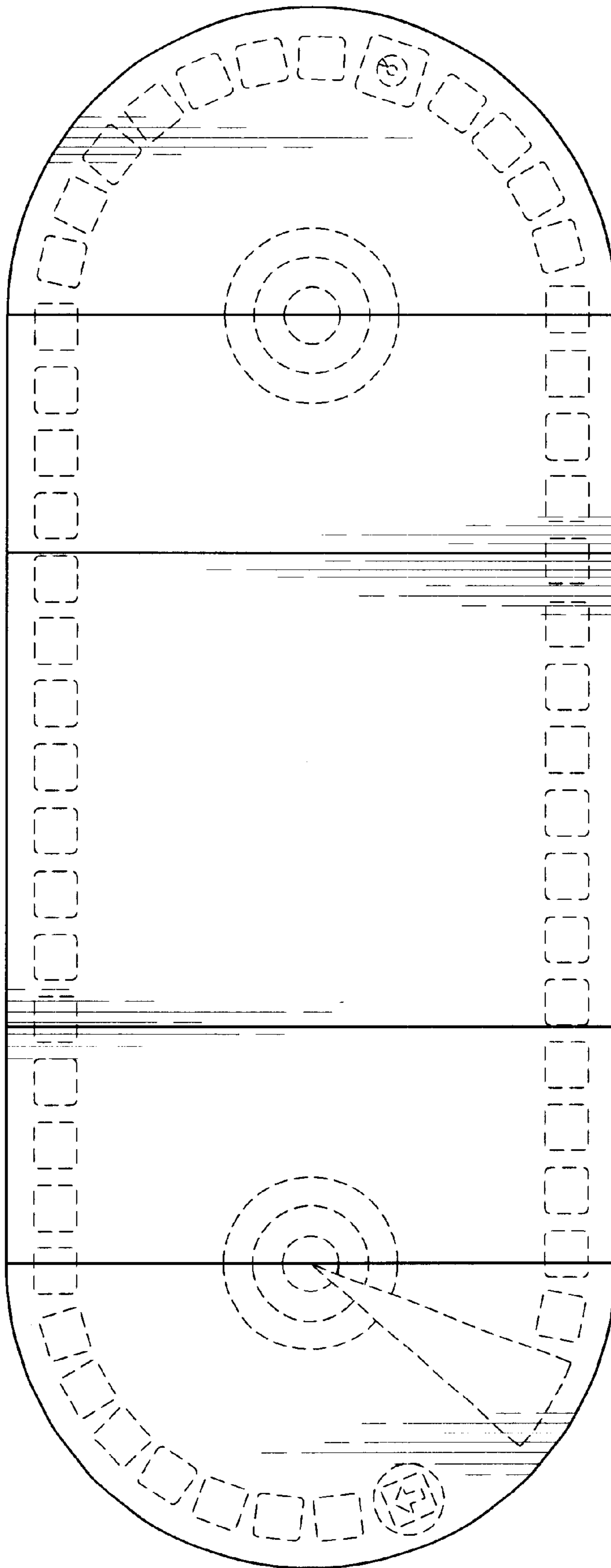
*Fig. 1*



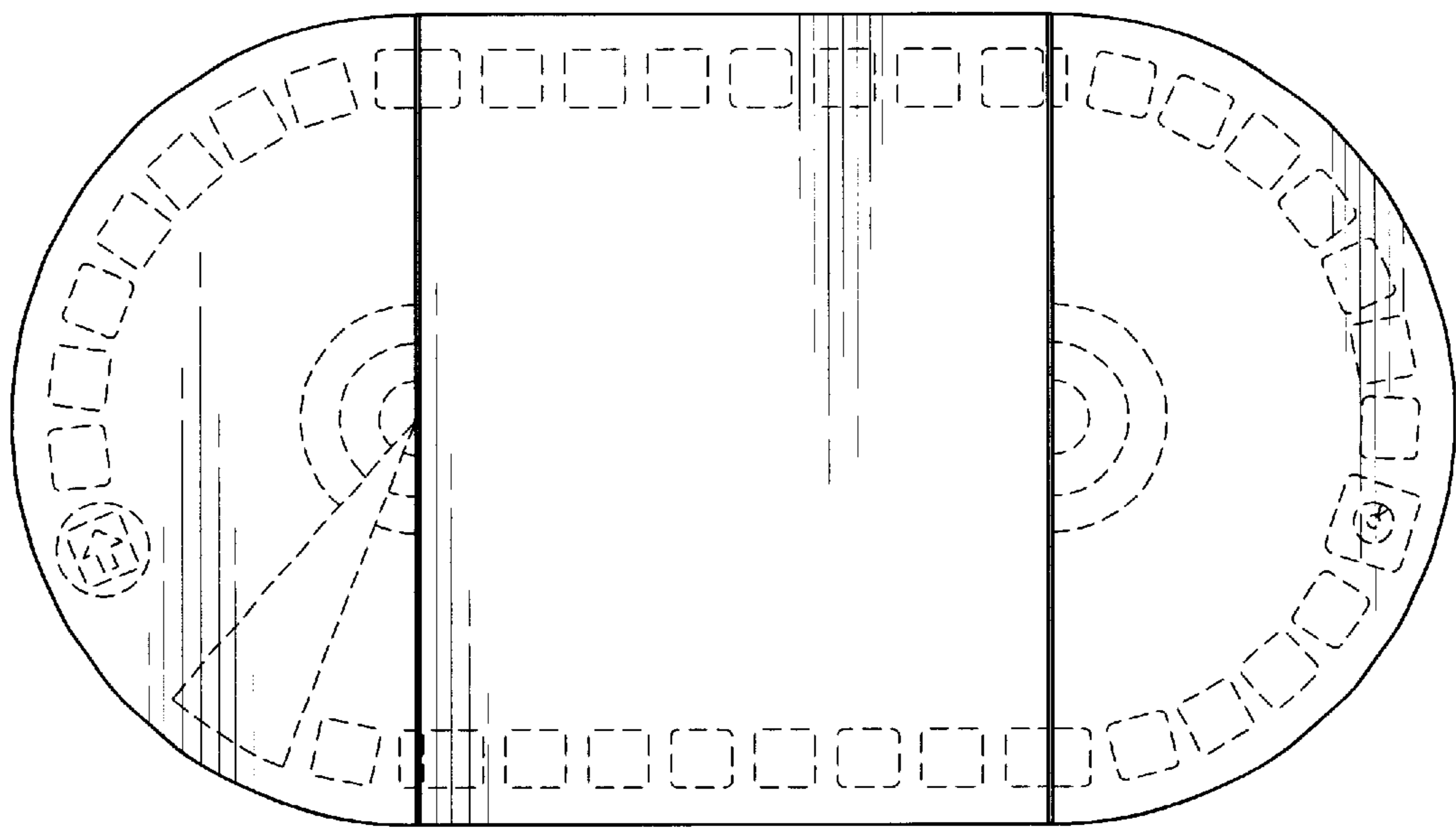
*Fig. 2*



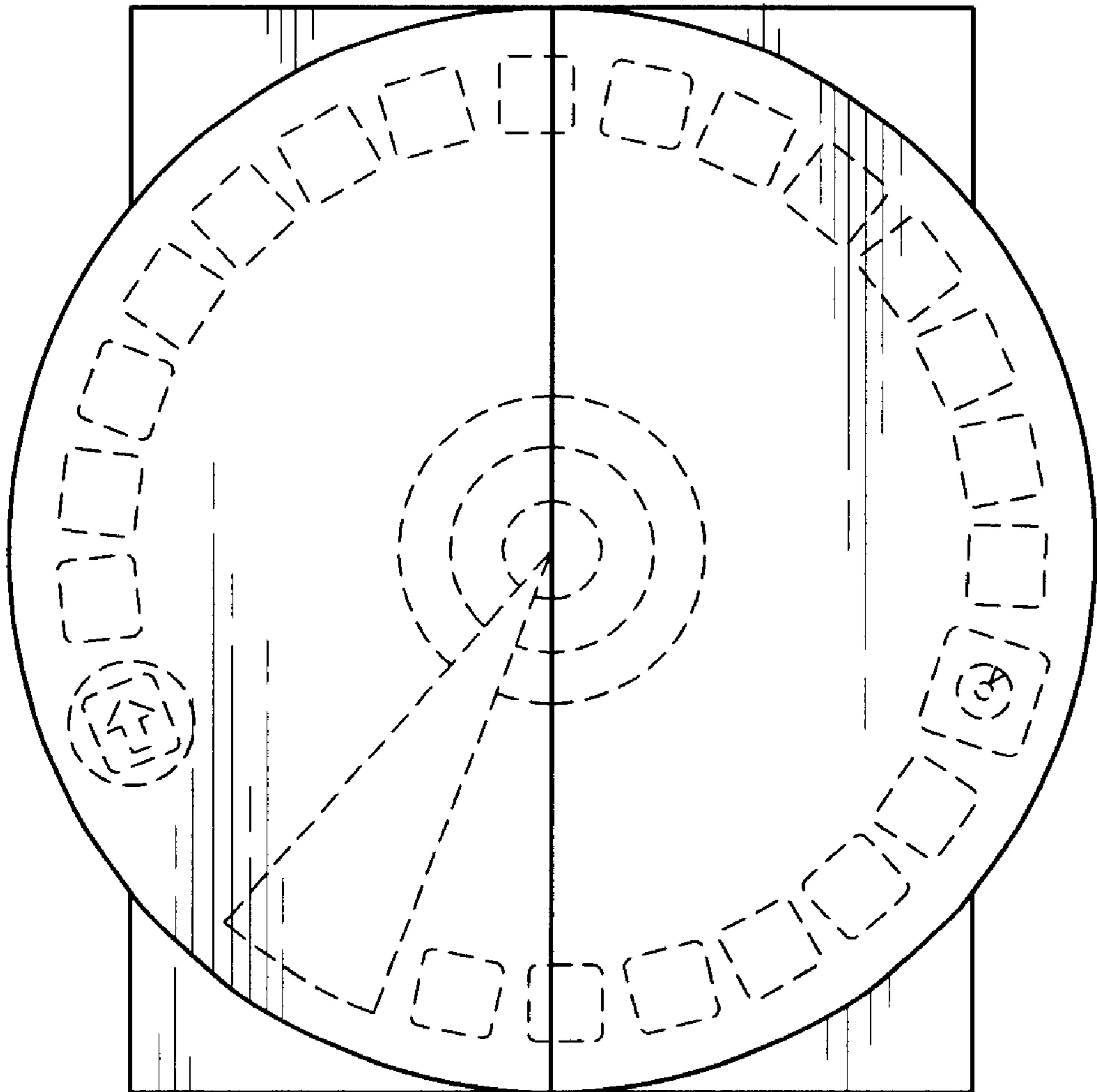
*Fig. 3*



*Fig. 4*



*Fig. 5*

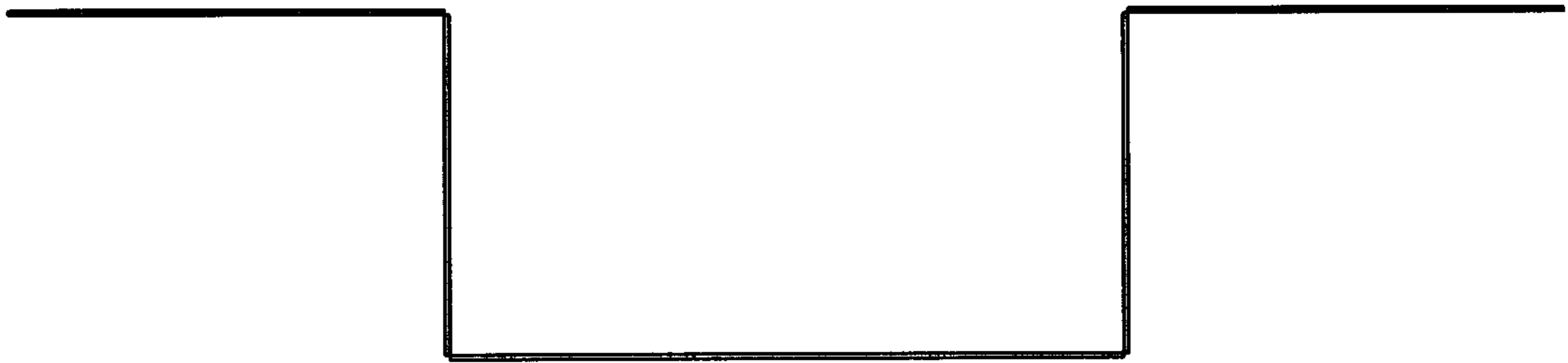


*Fig. 6*



*Fig. 7*





*Fig. 8*



*Fig. 9*

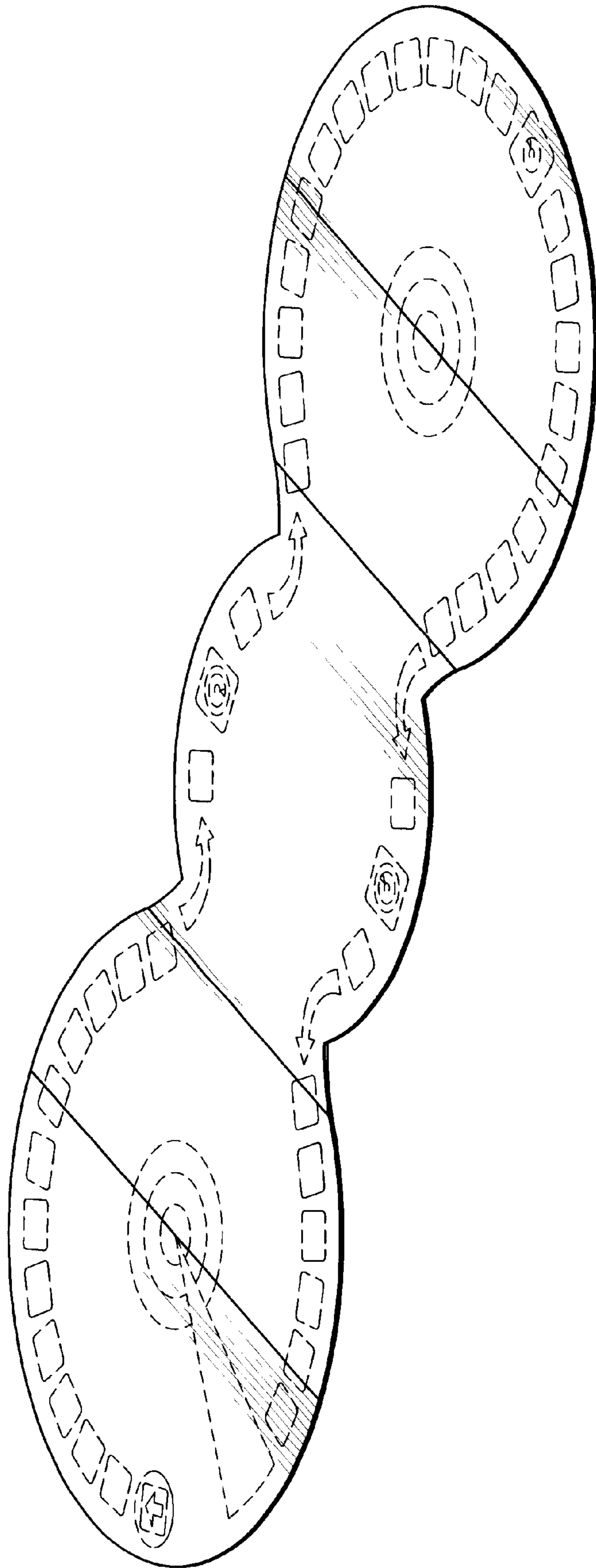
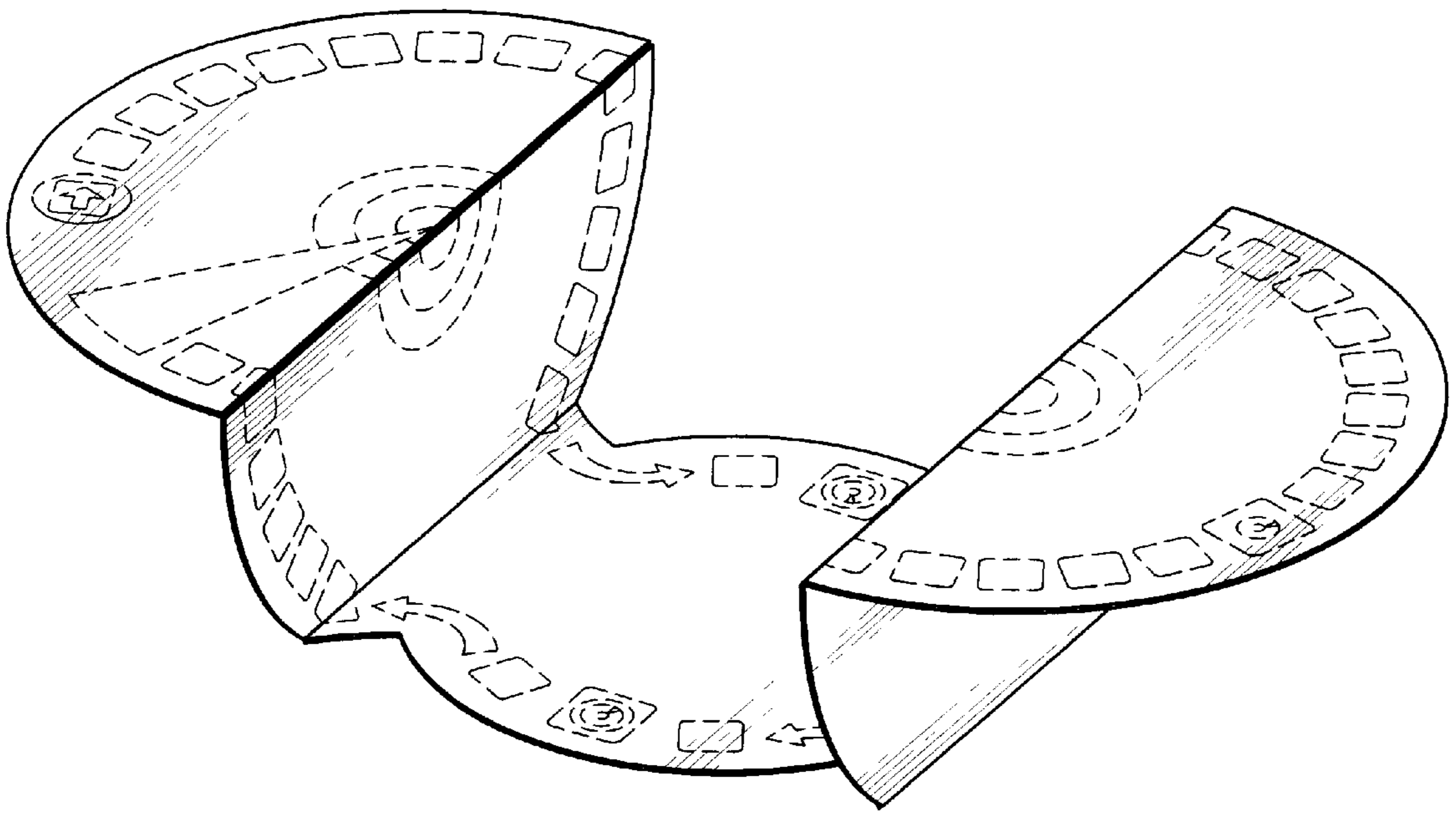
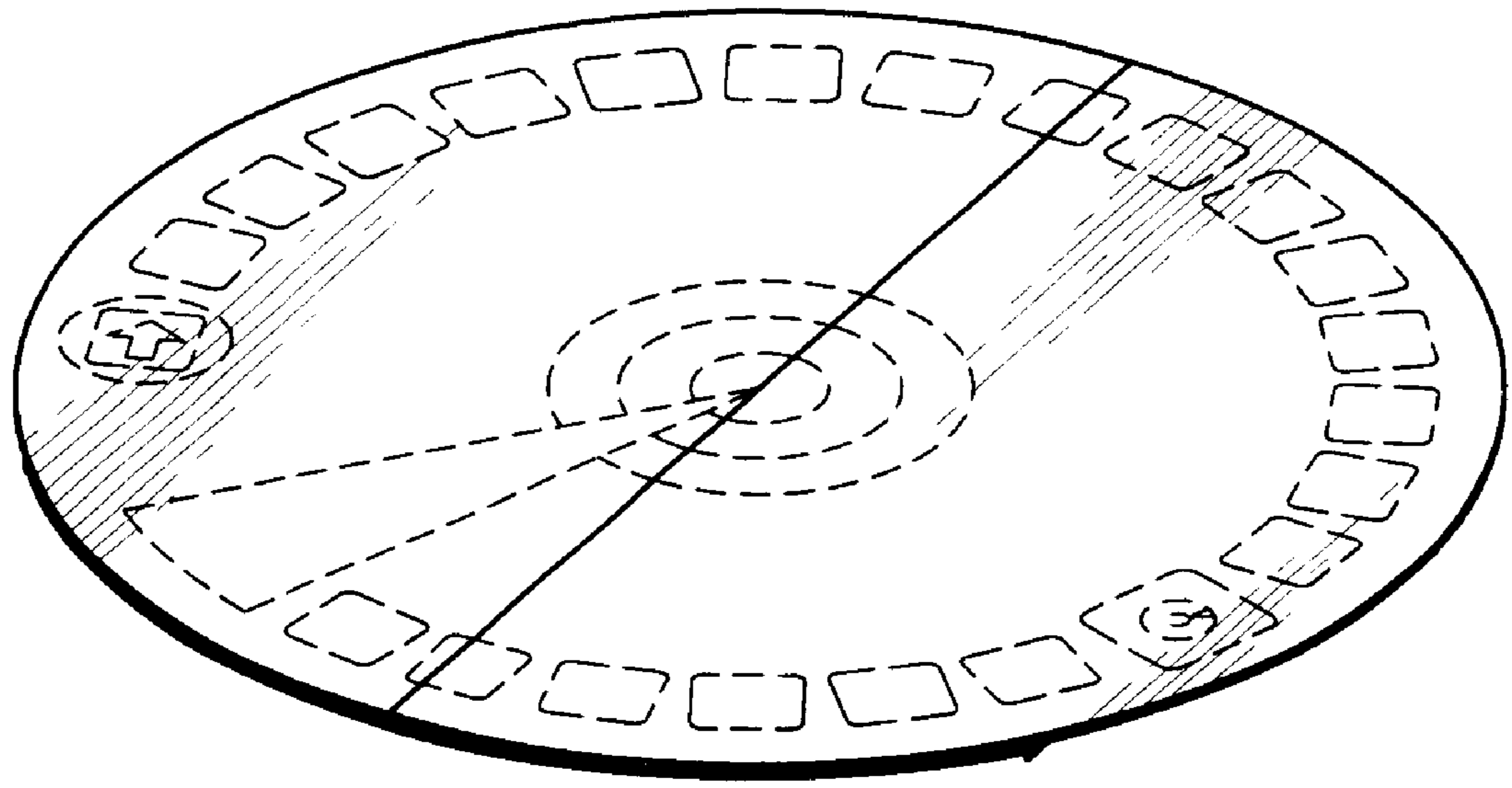


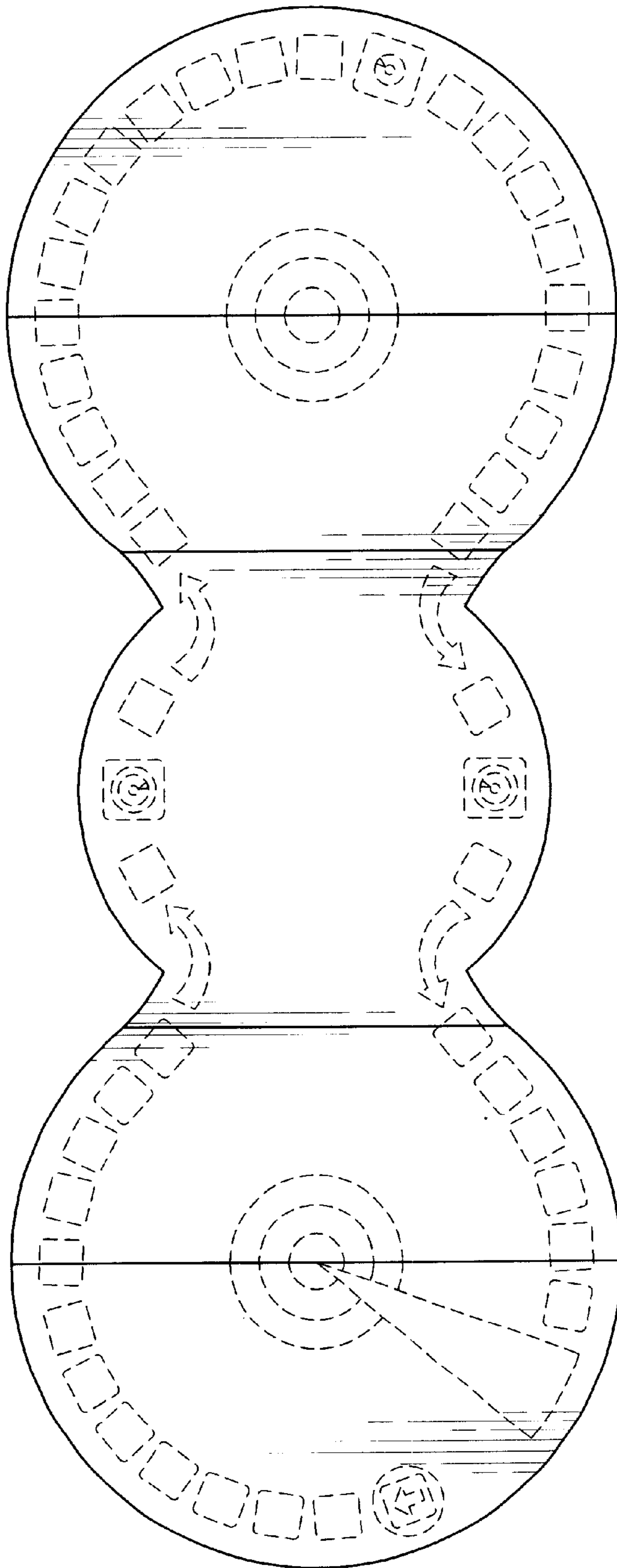
Fig. 10



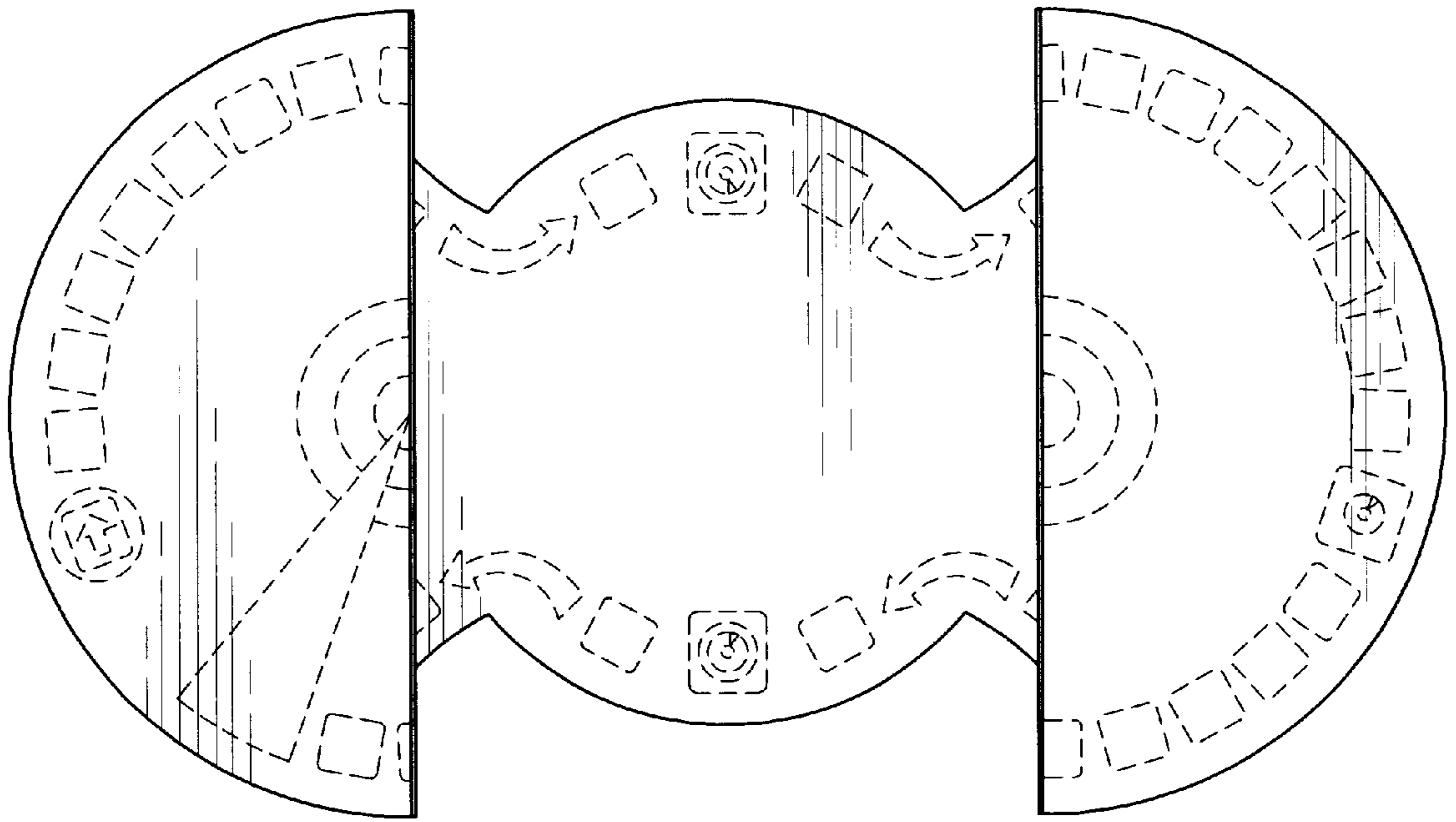
*Fig. 11*



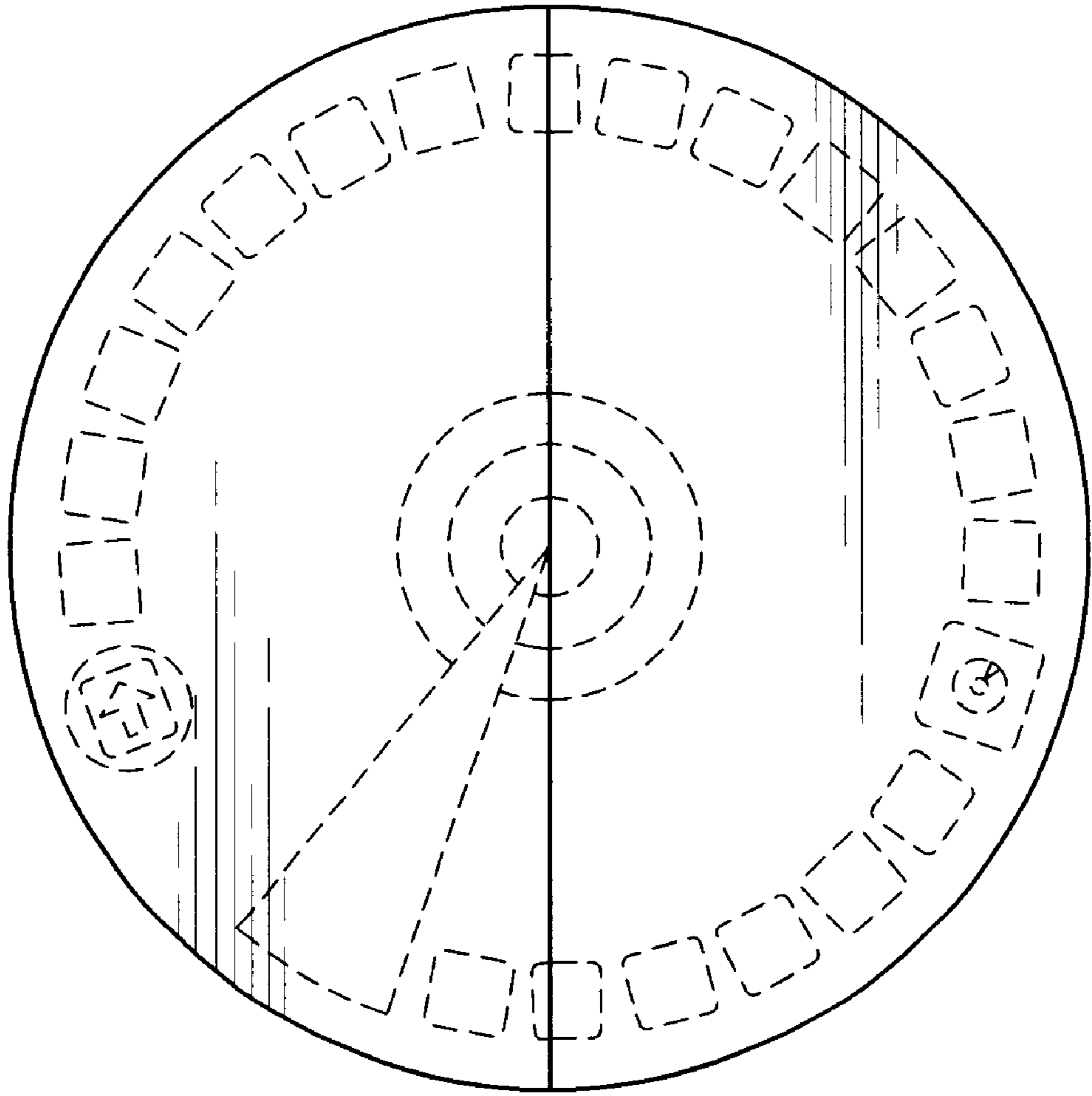
*Fig. 12*



*Fig. 13*



*Fig. 14*



*Fig. 15*



**UNITED STATES PATENT AND TRADEMARK OFFICE**  
**Certificate**

Patent No. D470,537 S

Patented: February 18, 2003

On petition requesting issuance of a certificate for correction of inventorship pursuant to 35 U.S.C. 256, it has been found that the above identified patent, through error and without any deceptive intent, improperly sets forth the inventorship.

Accordingly, it is hereby certified that the correct inventorship of this patent is: Craig E. Kinzer, Issaquah, WA (US); David Long, Issaquah, WA (US); Mathew J. Griesse, Seattle, WA (US); and Michael J. Ausich, Seattle, WA (US).

Signed and Sealed this Fifth Day of February 2008.

STELLA M. REID  
*Supervisory Patent Examiner*  
Art Unit 2912