



US00D470528S

(12) **United States Design Patent**  
**Nägele**

(10) **Patent No.:** **US D470,528 S**

(45) **Date of Patent:** **\*\* Feb. 18, 2003**

(54) **CONTROL CONSOLE FOR A PRINTING MACHINE**

(75) Inventor: **Rudolf Nägele**, Friedberg (DE)

(73) Assignee: **MAN Roland Druckmaschinen AG**,  
Offenbach am Main (DE)

(\*\*) Term: **14 Years**

(21) Appl. No.: **29/157,899**

(22) Filed: **Mar. 26, 2002**

**Related U.S. Application Data**

(62) Division of application No. 29/132,499, filed on Nov. 9, 2000.

(30) **Foreign Application Priority Data**

May 13, 2000 (DE) ..... 4 00 04 929

(51) **LOC (7) Cl.** ..... **18-02**

(52) **U.S. Cl.** ..... **D18/56**

(58) **Field of Search** ..... D18/56, 53, 54;  
108/7, 20, 64, 66, 99, 147, 150; 101/148,  
407.1, 474; 435/42; D6/486, 495

(56) **References Cited**

**U.S. PATENT DOCUMENTS**

2,907,616 A 10/1959 Sullivan  
D233,718 S 11/1974 Panzica

4,365,561 A 12/1982 Tellier et al.  
D278,249 S 4/1985 Schott et al.  
4,615,279 A 10/1986 Haye  
D302,682 S 8/1989 Bloom et al.  
D335,054 S 4/1993 Hollington  
D336,575 S 6/1993 Hasuike  
5,353,716 A 10/1994 Wilbert  
5,363,772 A \* 11/1994 Adamidis ..... 108/66  
D401,791 S 12/1998 Schwab  
D421,769 S 3/2000 Dubson  
6,095,476 A \* 8/2000 Mathis ..... 108/7

\* cited by examiner

*Primary Examiner*—Cathy Anne MacCormac

(74) *Attorney, Agent, or Firm*—Cohen, Pontani, Lieberman & Pavane

(57) **CLAIM**

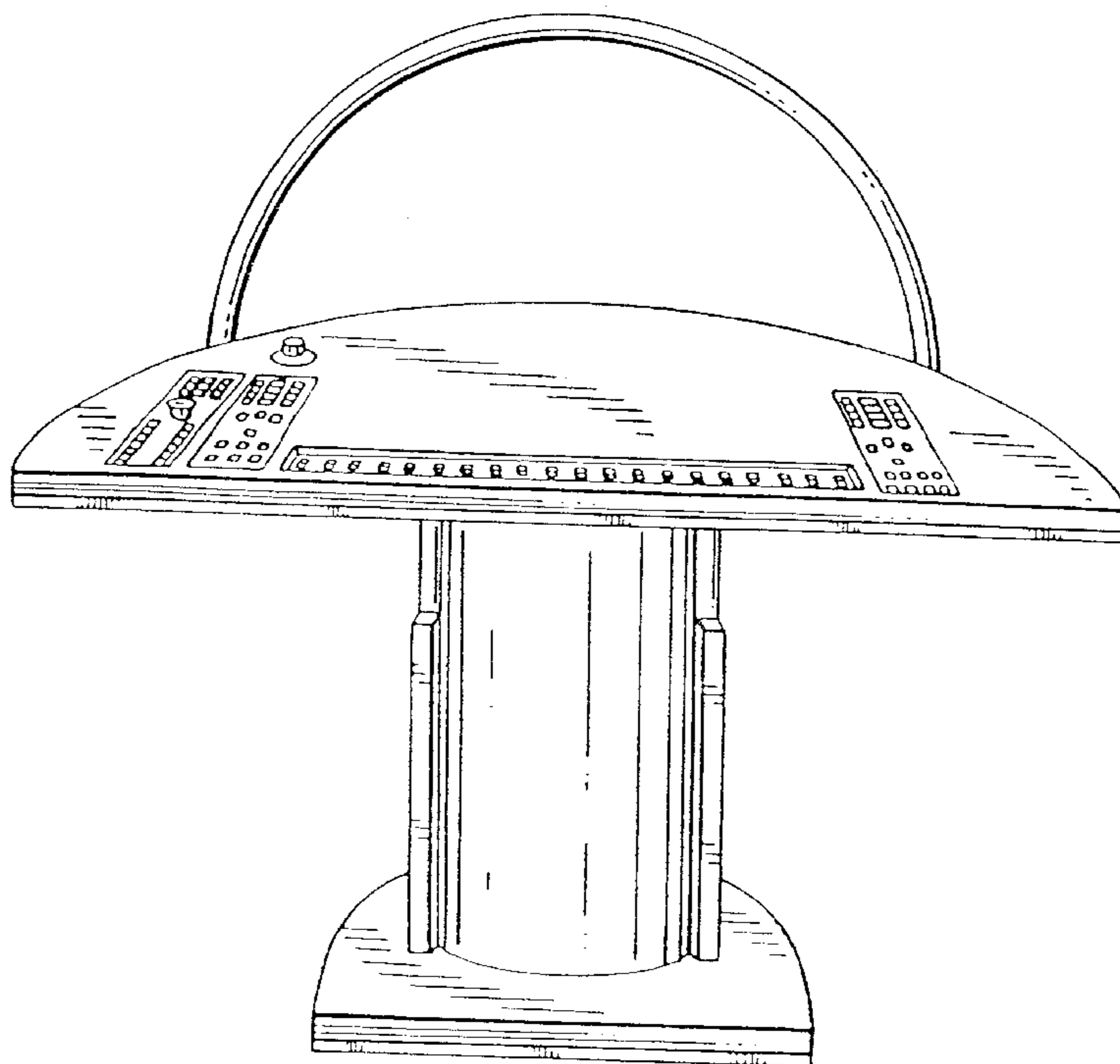
The ornamental design for a control console for a printing machine, as shown and described.

**DESCRIPTION**

FIG. 1 is a front perspective view of a control console for a printing machine according to the present invention; FIG. 2 is a front elevational view thereof; and, FIG. 3 is a left side elevational view thereof, the right side is a mirror image.

The bottom of the control console for a printing machine is flat and unadorned.

**1 Claim, 2 Drawing Sheets**



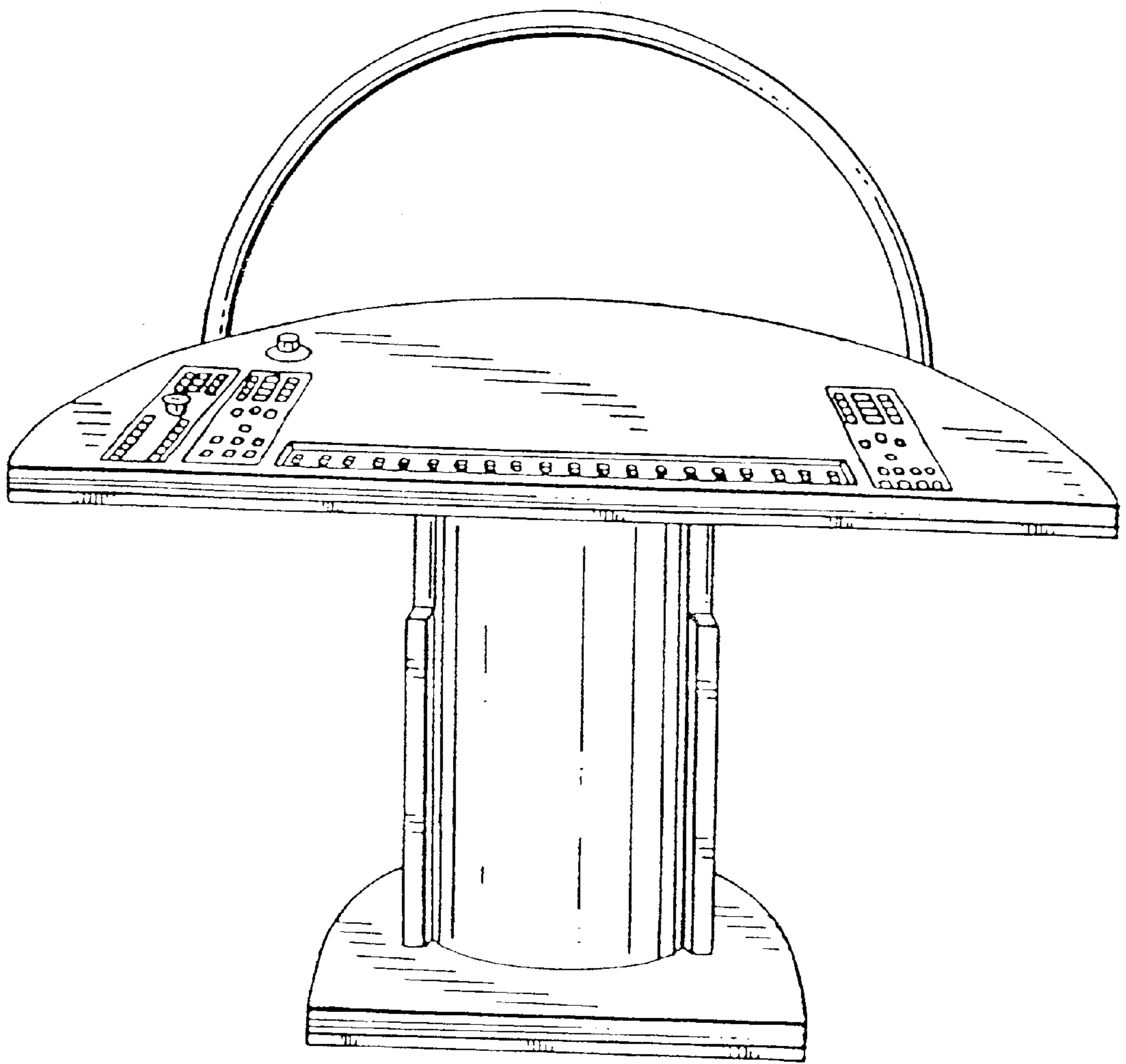


FIG. 1

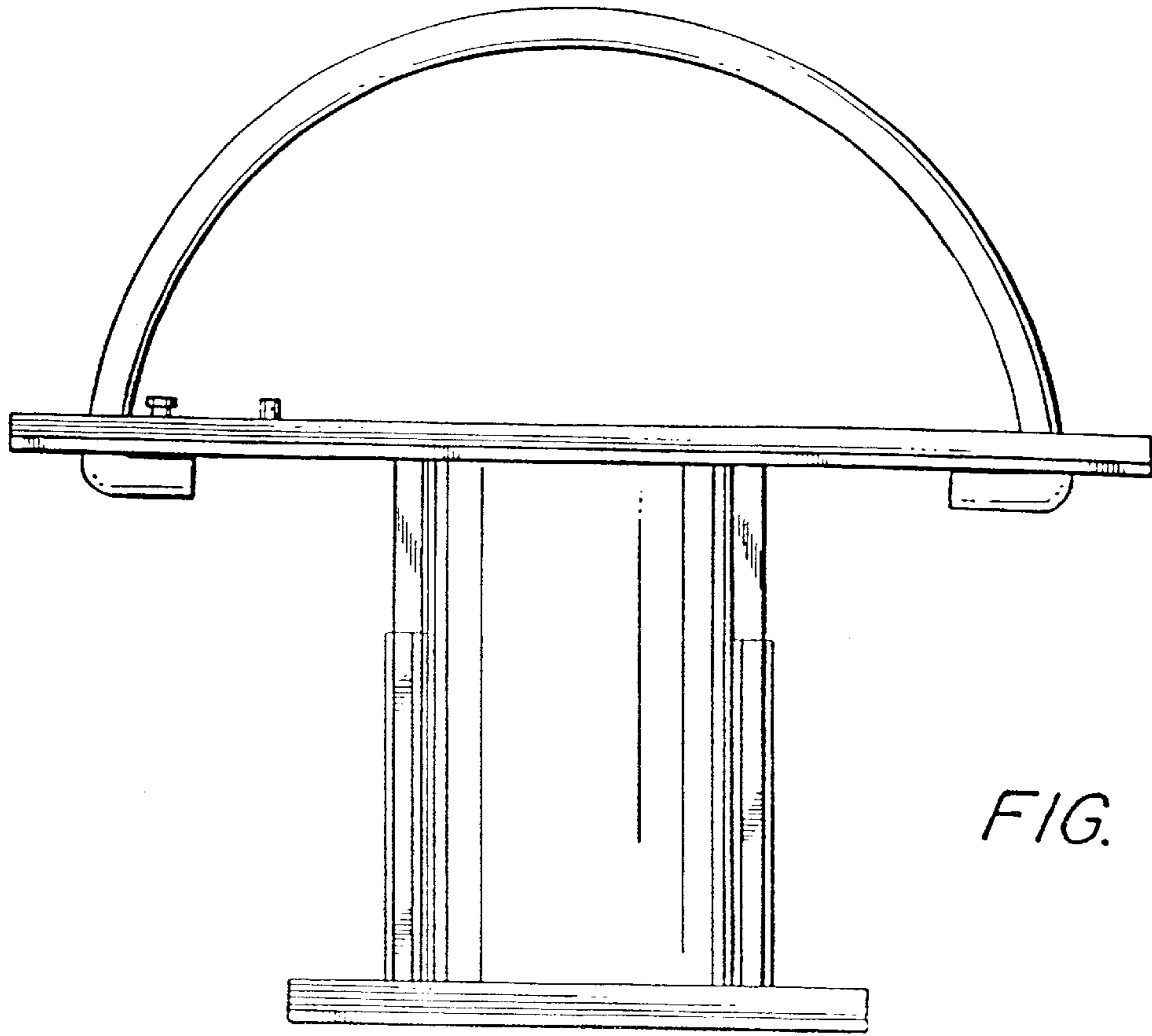


FIG. 2

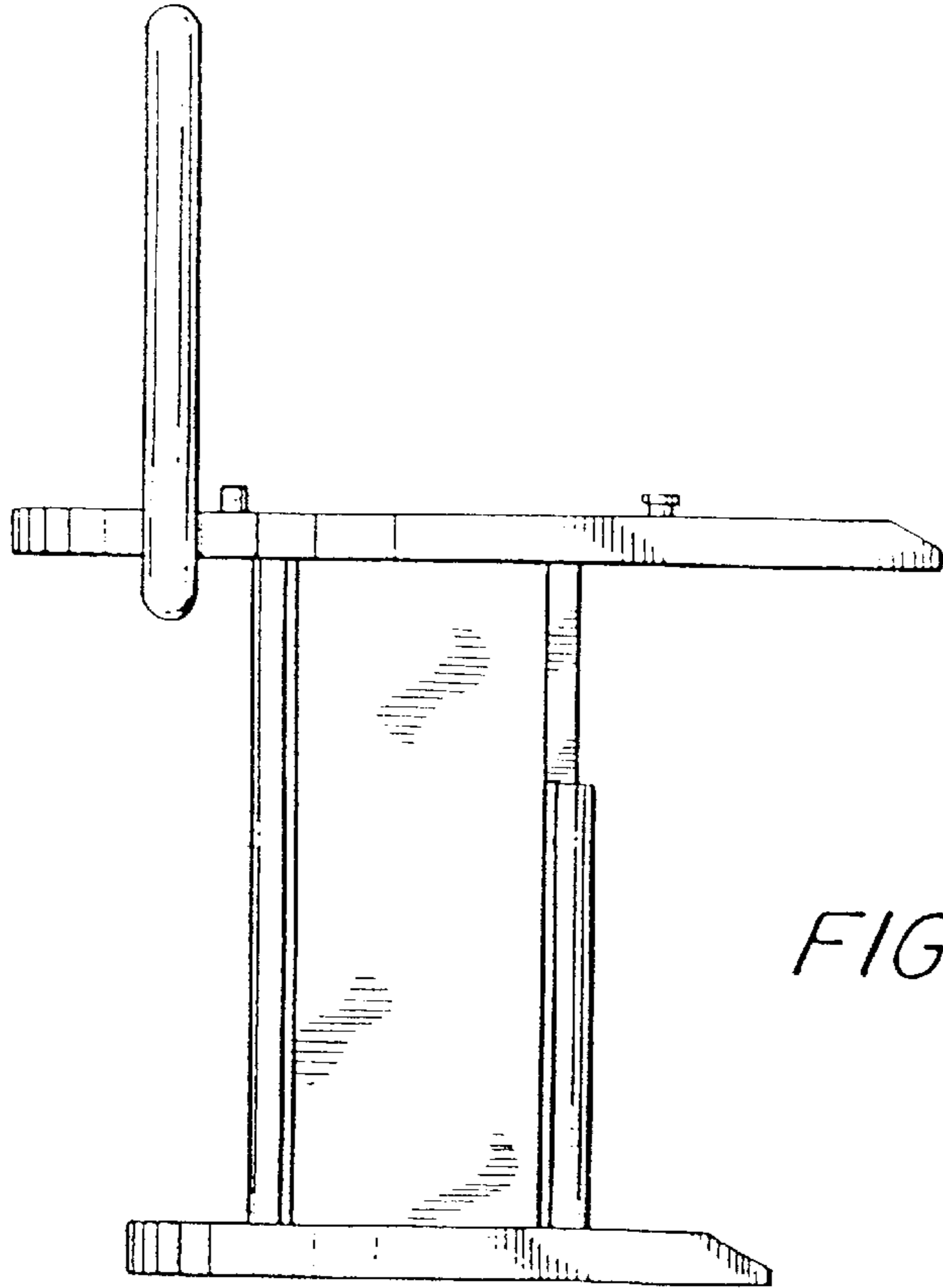


FIG. 3