



US00D470525S

(12) **United States Design Patent**  
**Nakayama et al.**

(10) **Patent No.:** **US D470,525 S**

(45) **Date of Patent:** **\*\* Feb. 18, 2003**

(54) **PROJECTOR**

(75) Inventors: **Tetsu Nakayama, Shiojiri (JP); Teruo Sakurai, Matsumoto (JP); Hirohisa Nakano, Matsumoto (JP)**

(73) Assignee: **Seiko Epson Corporation, Tokyo (JP)**

(\*\*) Term: **14 Years**

(21) Appl. No.: **29/148,601**

(22) Filed: **Sep. 25, 2001**

(30) **Foreign Application Priority Data**

May 9, 2001 (JP) ..... 2001-013259

(51) **LOC (7) Cl.** ..... **16-02**

(52) **U.S. Cl.** ..... **D16/231**

(58) **Field of Search** ..... D16/205, 221,  
D16/225, 230, 231, 234; D21/514; 353/115,  
119, 122

(56) **References Cited**

**U.S. PATENT DOCUMENTS**

D387,795 S \* 12/1997 Sakamoto ..... D16/231  
D400,903 S \* 11/1998 Miyagawa et al. .... D16/225

D437,337 S \* 2/2001 Kawasaki et al. .... D16/230  
D449,060 S \* 10/2001 Saeki et al. .... D16/230  
D450,076 S \* 11/2001 Fujimaki ..... D16/230  
D454,360 S \* 3/2002 Shimizu et al. .... D16/230  
2002/0048001 A1 \* 4/2002 Fujimori ..... 353/119

\* cited by examiner

*Primary Examiner*—Adir Aronovich

(74) *Attorney, Agent, or Firm*—Oliff & Barridge, PLC

(57) **CLAIM**

The ornamental design for projector, as shown and described.

**DESCRIPTION**

FIG. 1 is a front view of a projector;

FIG. 2 is a rear view thereof;

FIG. 3 is a top view thereof;

FIG. 4 is a bottom view thereof;

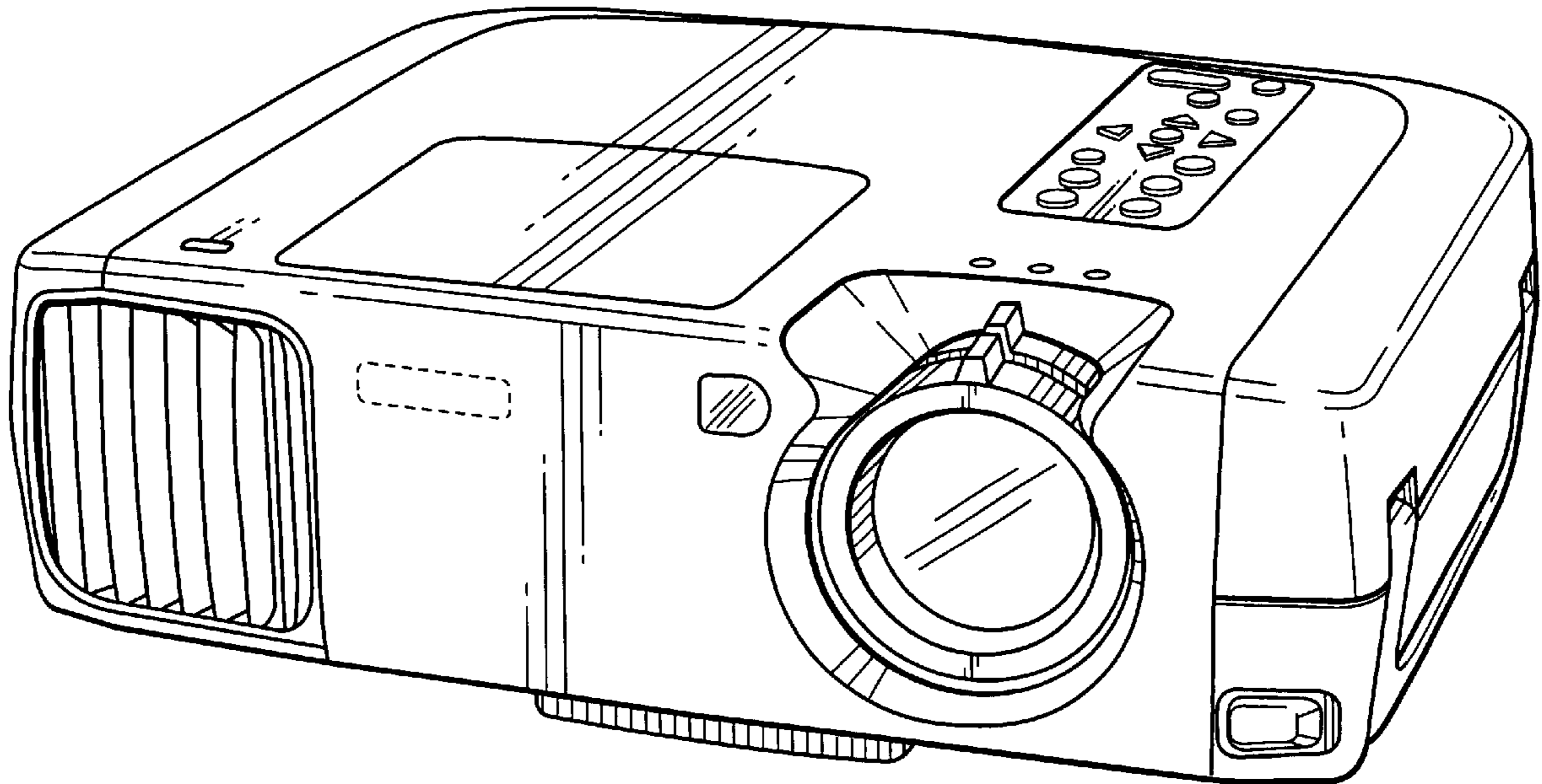
FIG. 5 is a right-side view thereof;

FIG. 6 is a left-side view thereof; and,

FIG. 7 is a perspective view thereof.

The portions of the article in broken lines are shown for illustrative purposes only and form no part of the claimed design.

**1 Claim, 4 Drawing Sheets**



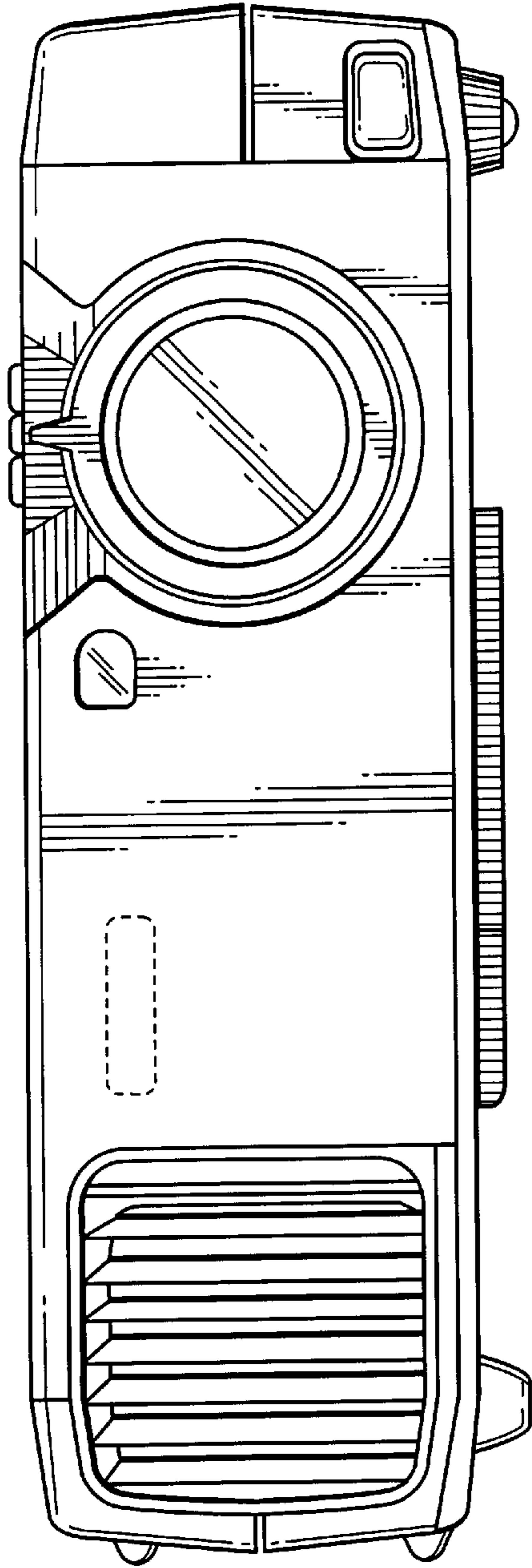


FIG. 1

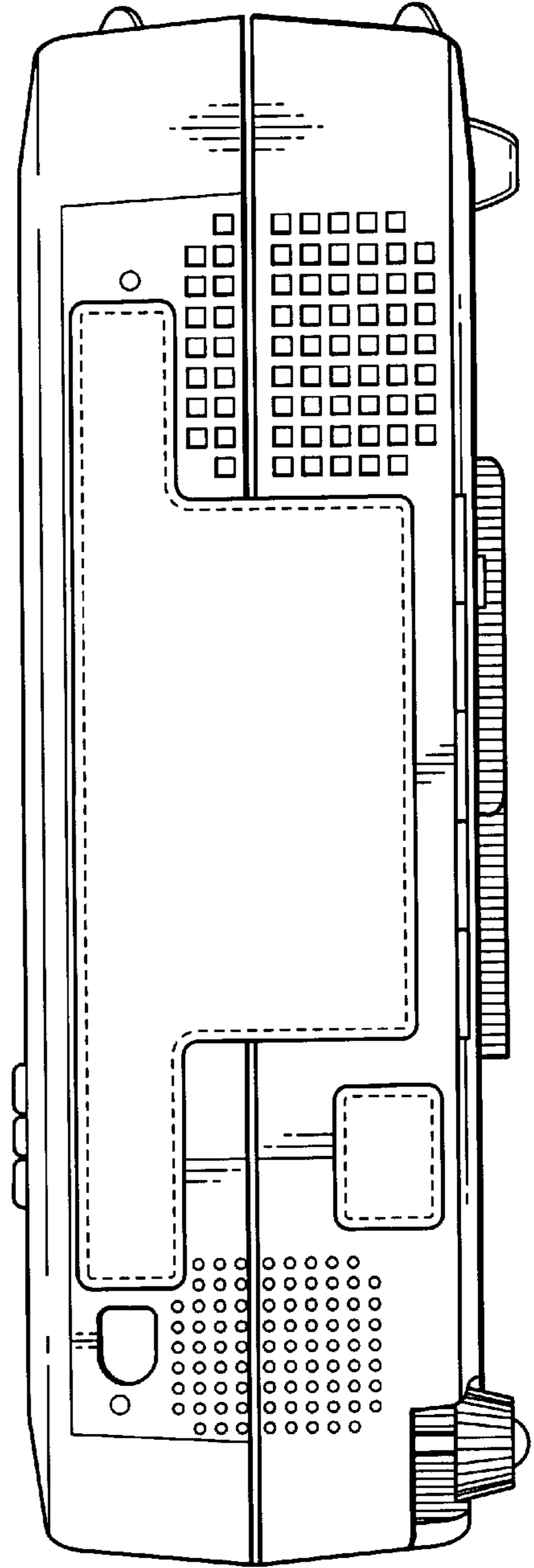


FIG. 2

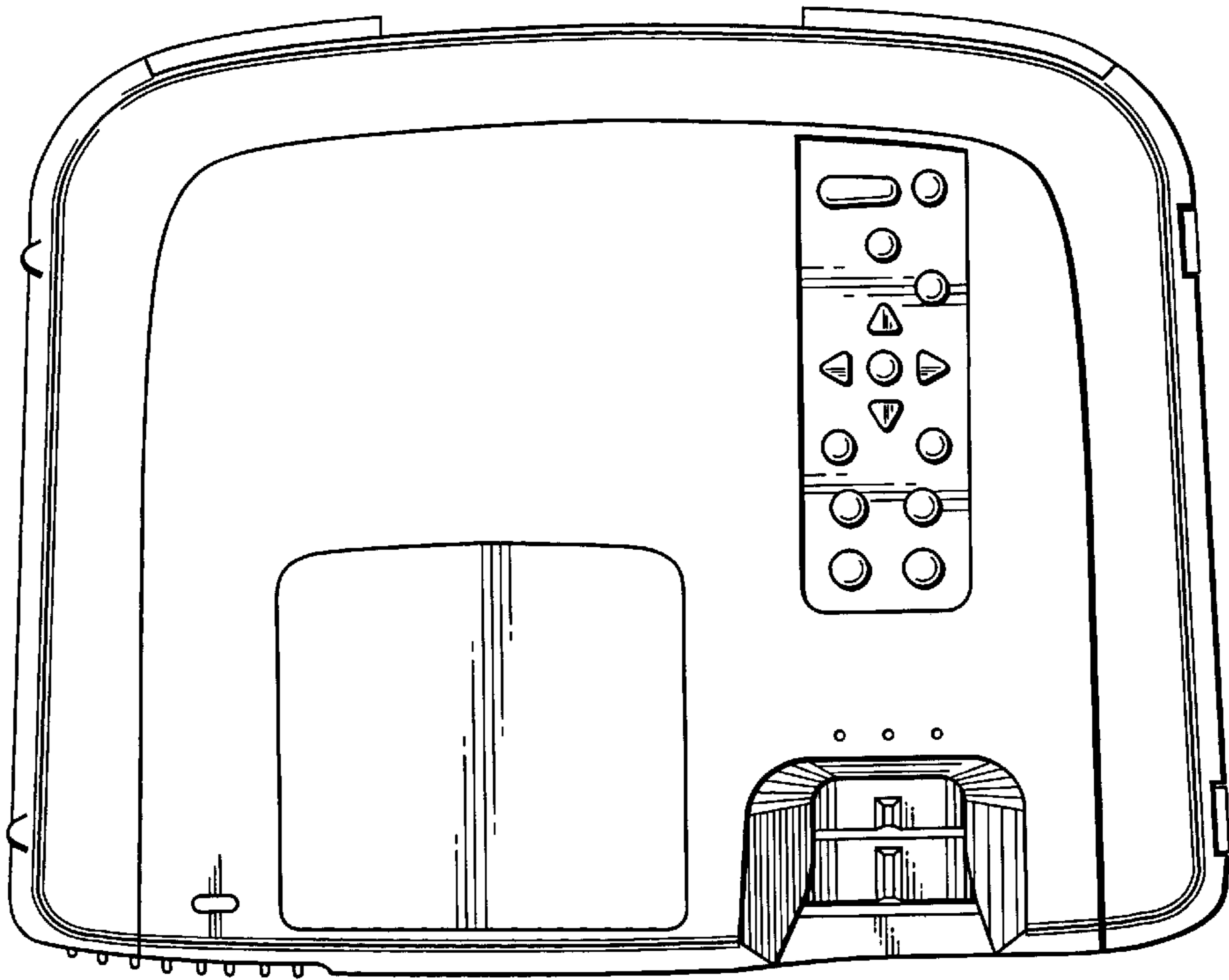


FIG. 3

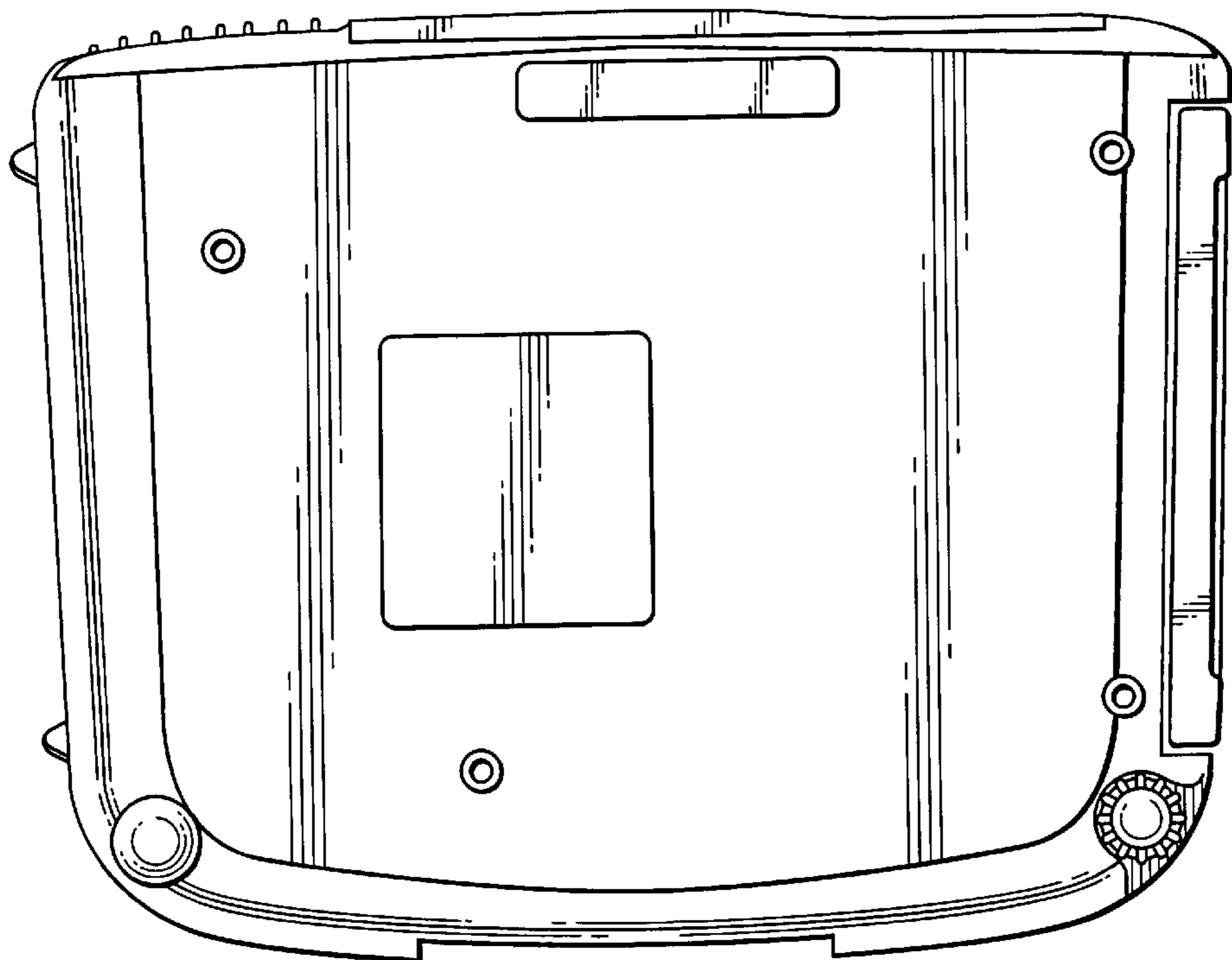
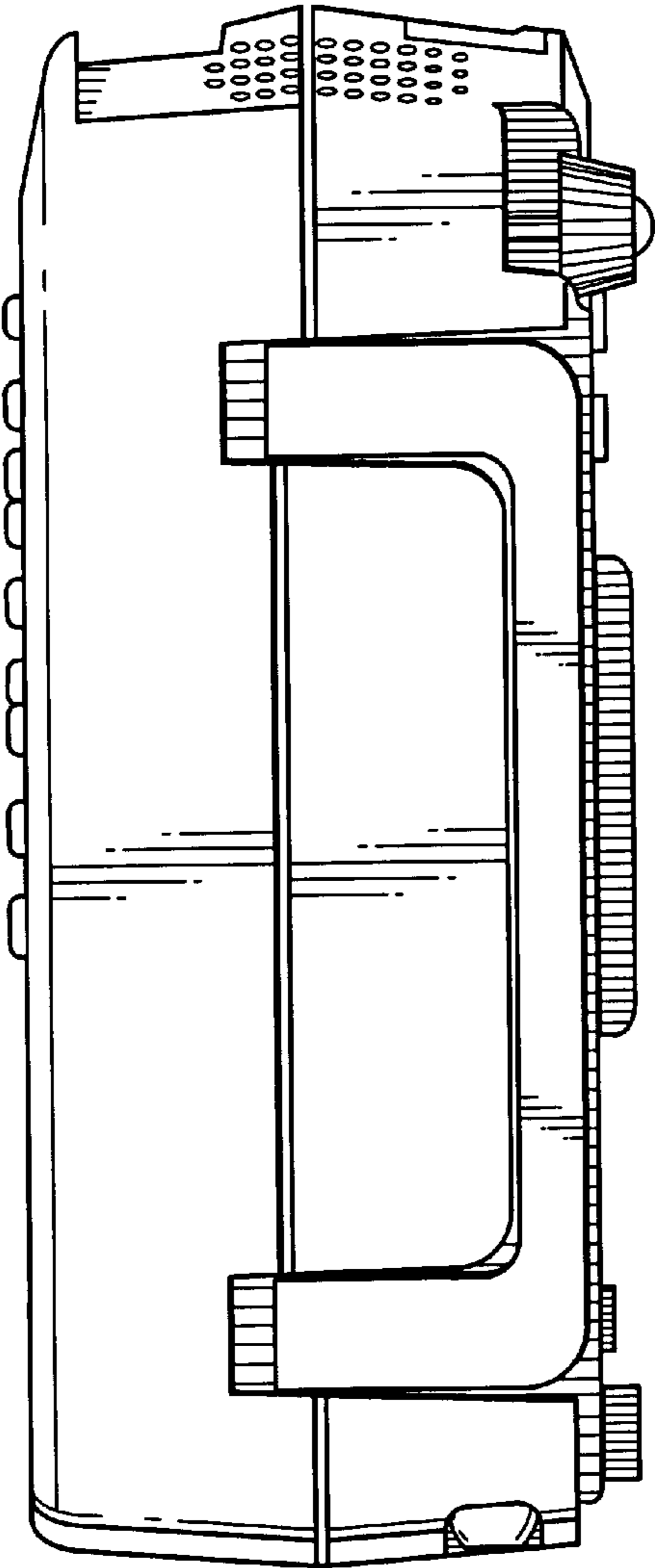
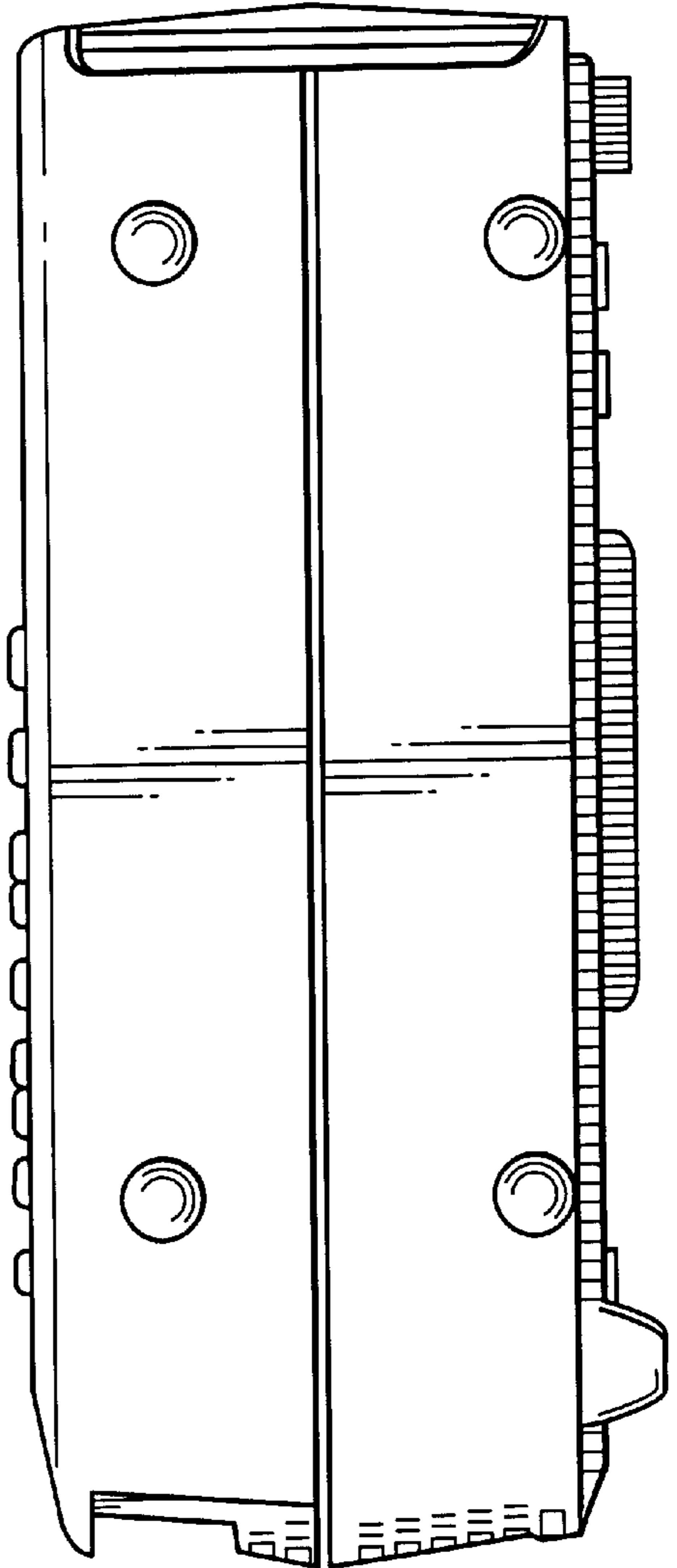


FIG. 4

**FIG. 5**



**FIG. 6**



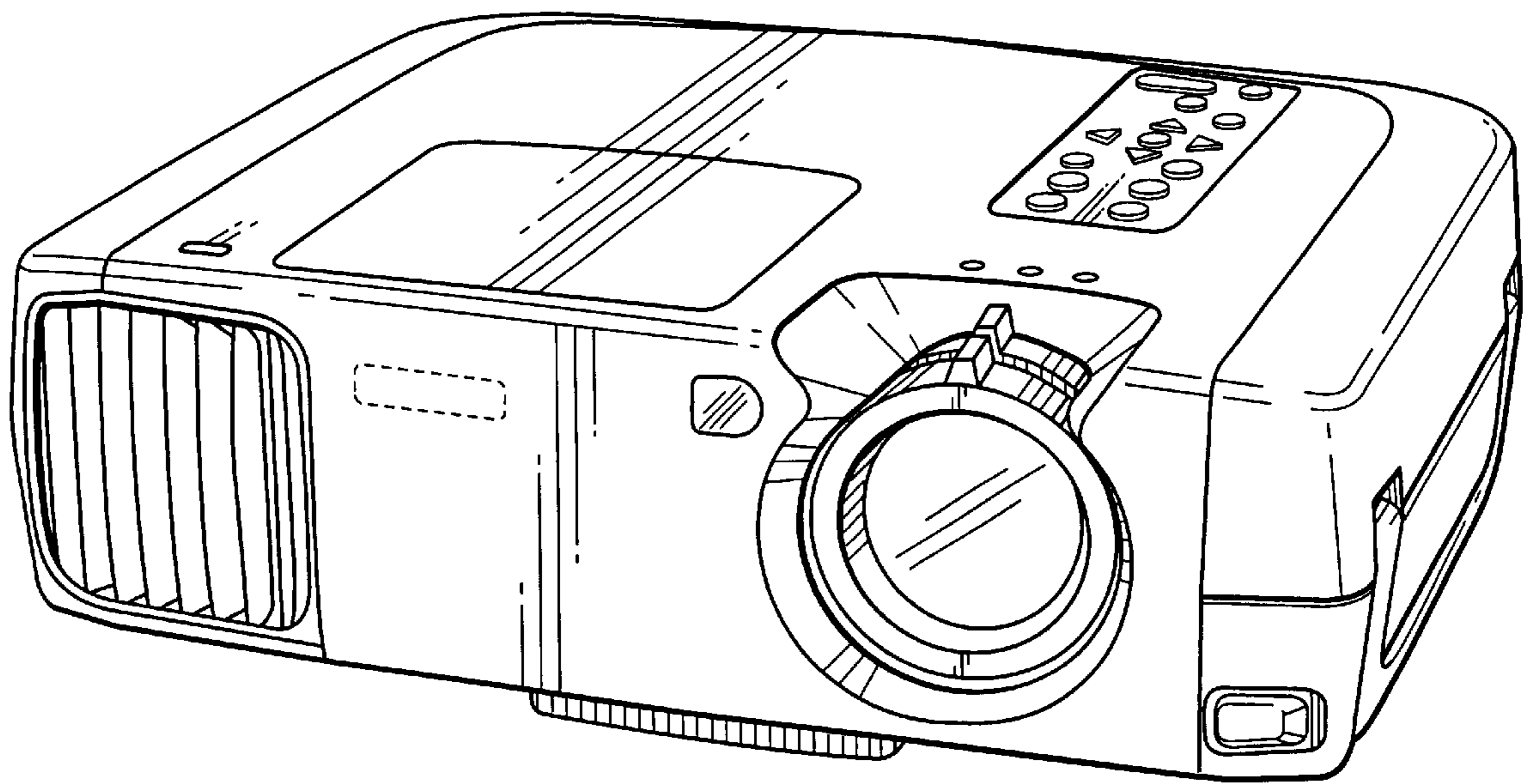


FIG. 7