



US00D470518S

(12) **United States Design Patent**
Su et al.

(10) **Patent No.:** **US D470,518 S**

(45) **Date of Patent:** **** Feb. 18, 2003**

(54) **DIGITAL CAMERA**

(75) Inventors: **Jone Su, ChuPei (TW); Hsien-Che Hung, Hsin hu (TW)**

(73) Assignee: **AIPTEK International Inc., Hsinchu (TW)**

(**) Term: **14 Years**

(21) Appl. No.: **29/154,694**

(22) Filed: **Jan. 30, 2002**

(51) **LOC (7) Cl.** **16-01**

(52) **U.S. Cl.** **D16/202; D16/209**

(58) **Field of Search** **D16/200-204, D16/208, 209, 218; 396/175-178, 535-541**

(56) **References Cited**

U.S. PATENT DOCUMENTS

2,646,672 A * 7/1953 Fairbank 396/182
D195,011 S * 4/1963 Doblin D16/209
4,970,539 A * 11/1990 Sasagaki et al. 396/175

D391,280 S * 2/1998 Miki et al. D16/202

5,978,604 A * 11/1999 Capurso 396/178

D444,165 S * 6/2001 Kikuchi D16/218

D458,620 S * 6/2002 Su et al. D16/202

* cited by examiner

Primary Examiner—Adir Aronovich

(74) *Attorney, Agent, or Firm*—Troxell Law Office PLLC

(57) **CLAIM**

The ornamental design for a digital camera, as shown and described.

DESCRIPTION

FIG. 1 is a perspective view of a “digital camera” showing my design;

FIG. 2 is a front elevational view thereof;

FIG. 3 is a rear elevational view thereof;

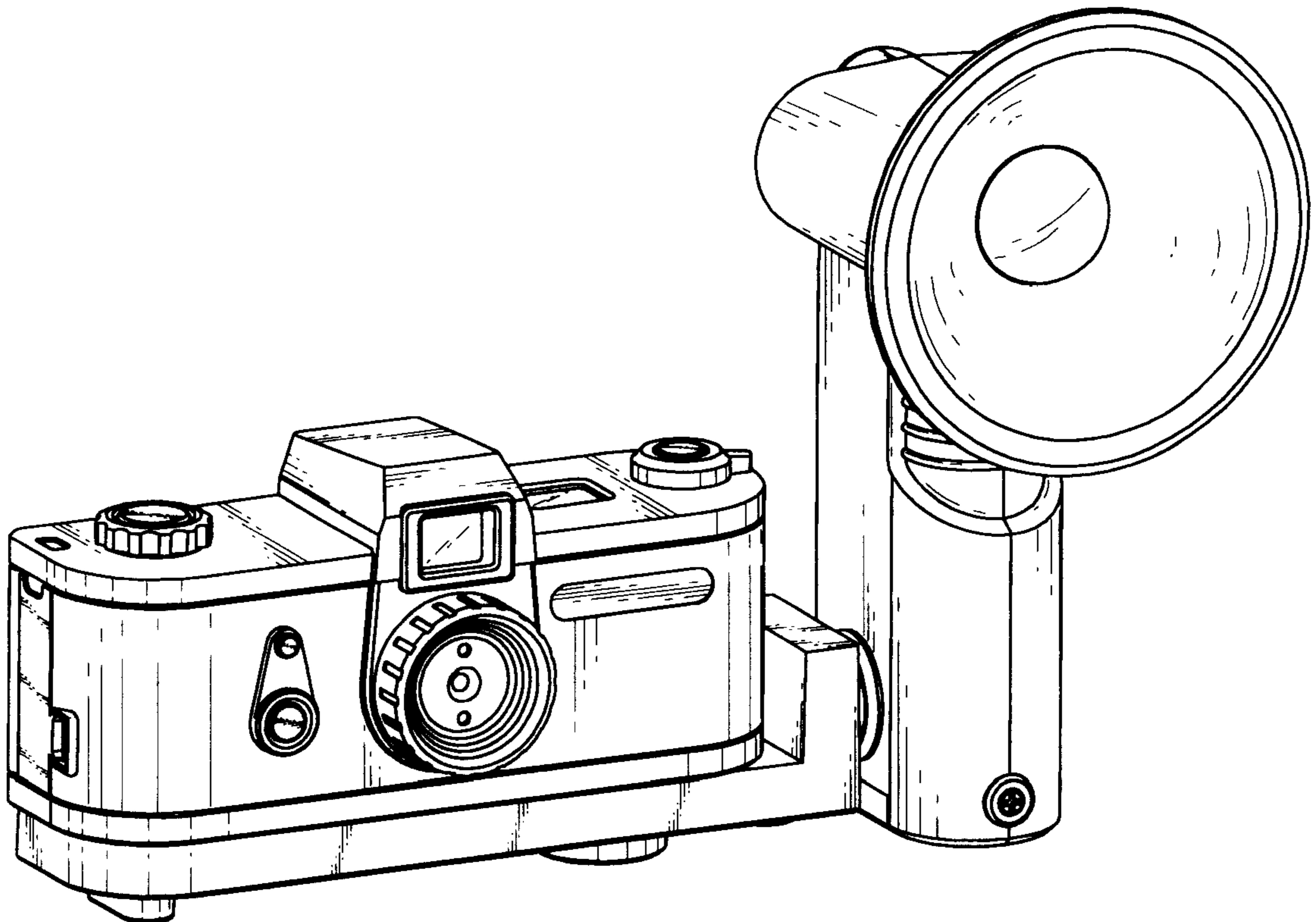
FIG. 4 is a left side elevational view thereof;

FIG. 5 is a right side elevational view thereof;

FIG. 6 is a top plan view thereof; and,

FIG. 7 is a bottom plan view thereof.

1 Claim, 4 Drawing Sheets



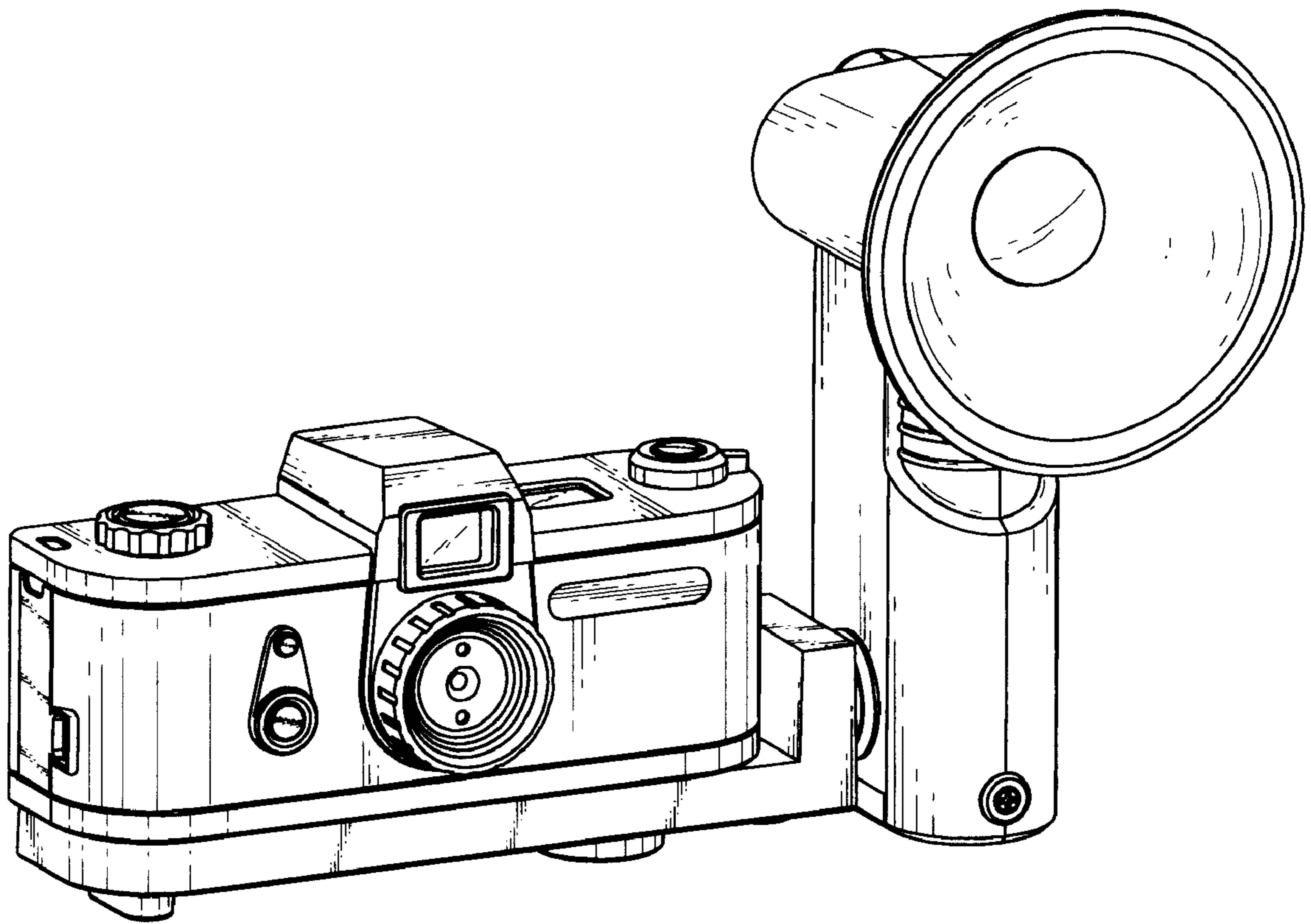


FIG. 1

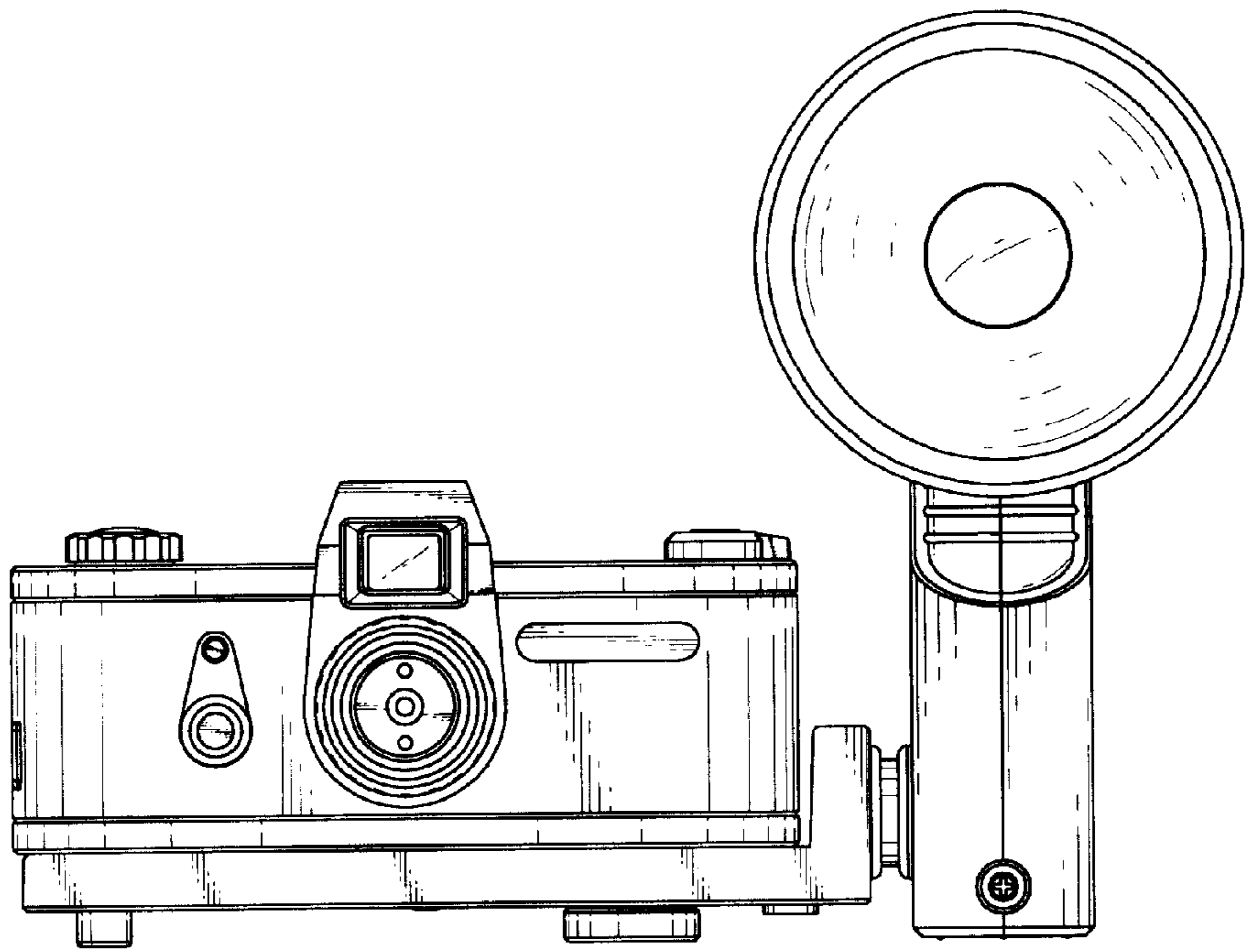


FIG. 2

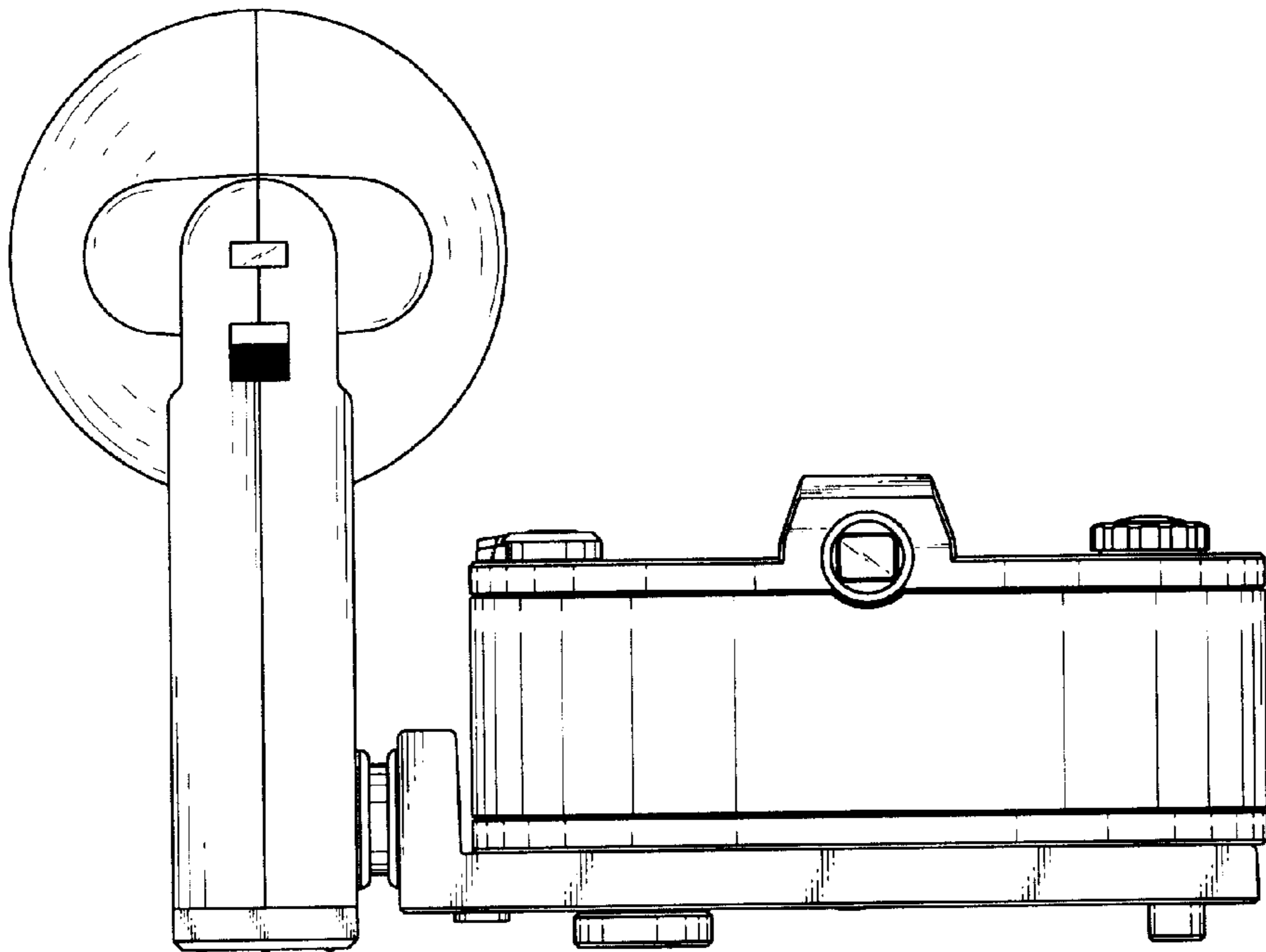


FIG. 3

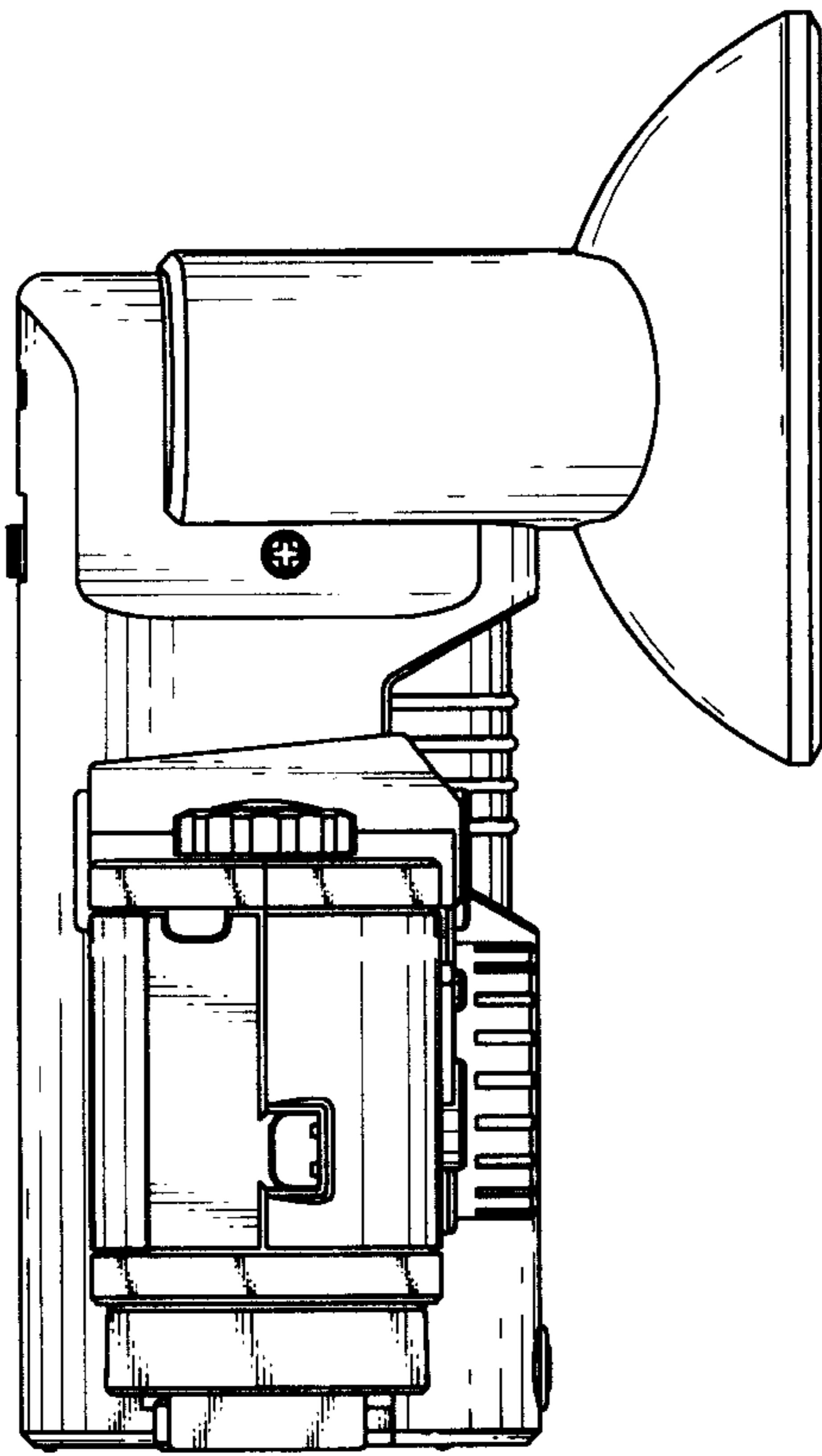


FIG. 4

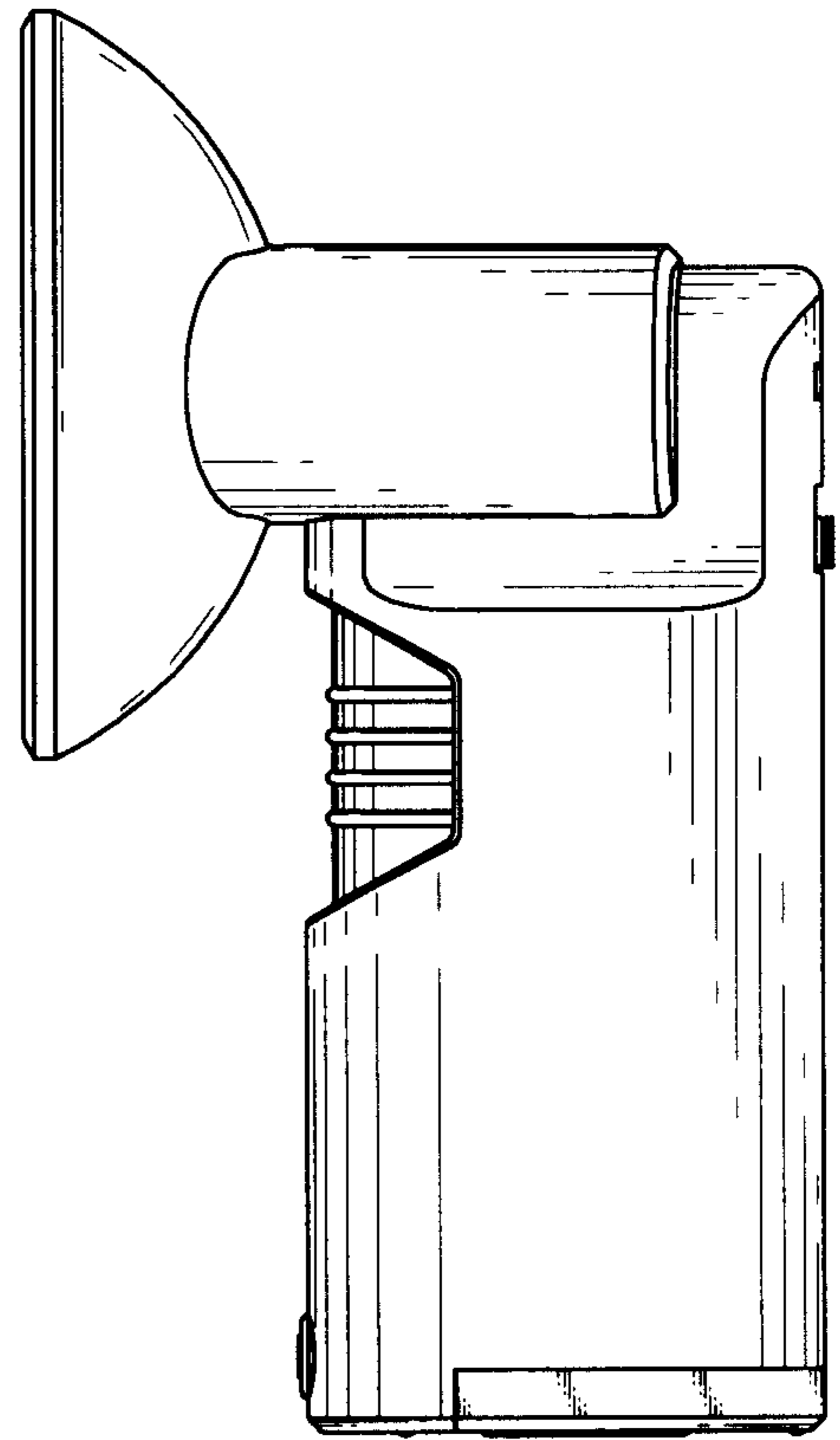


FIG. 5

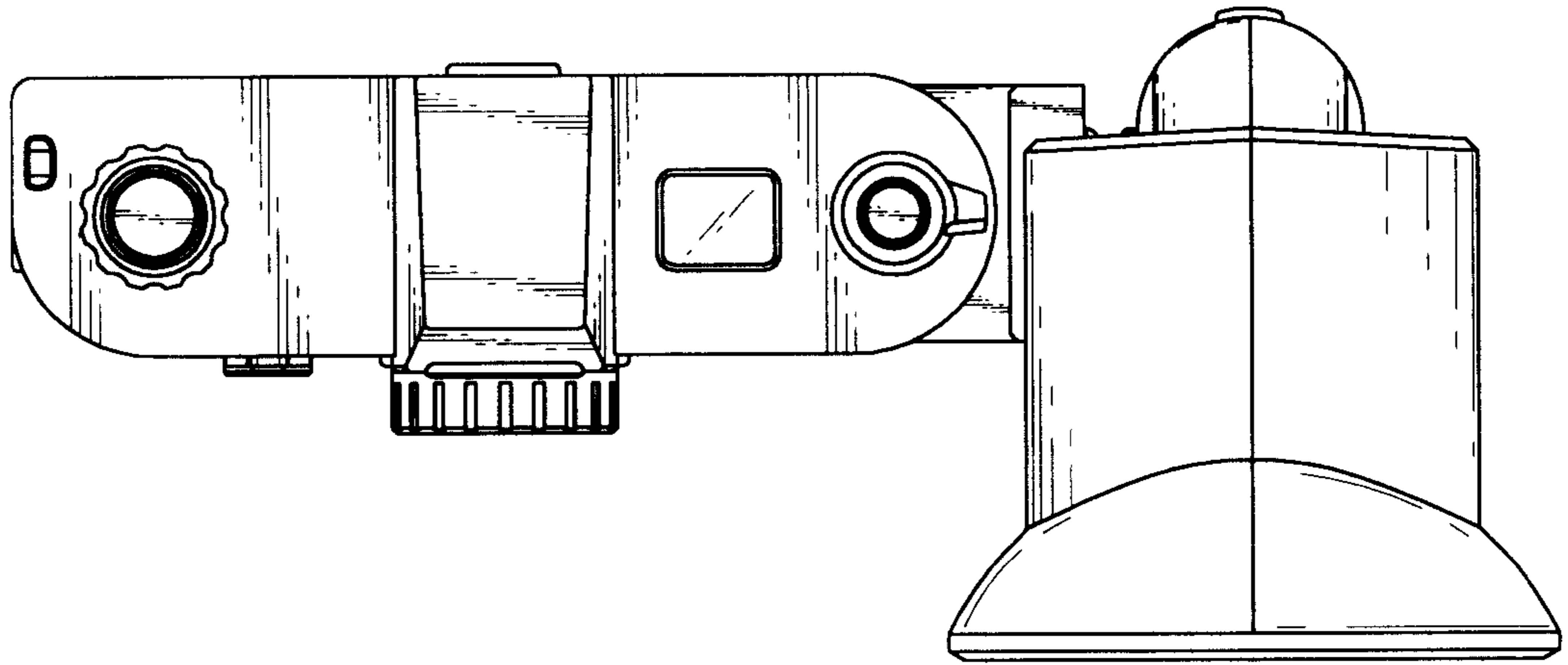


FIG. 6

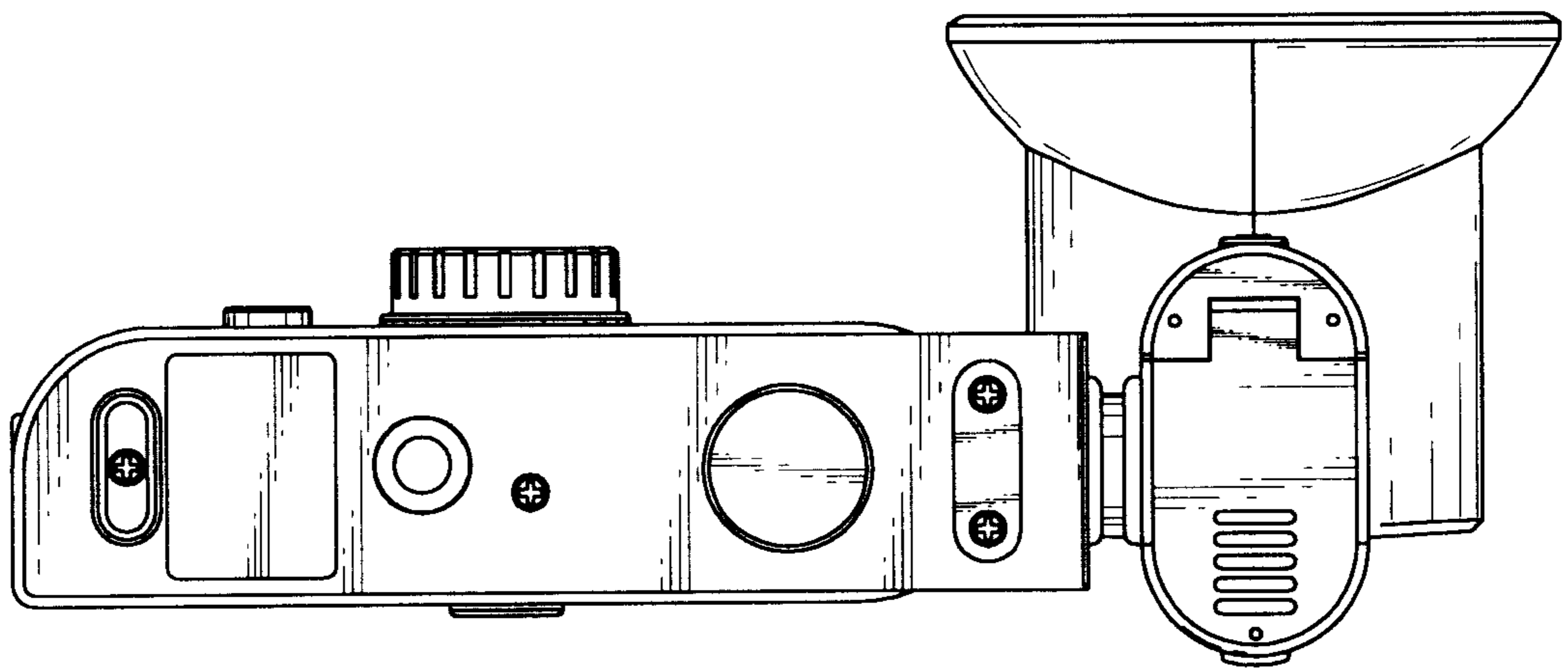


FIG. 7