



US00D470517S

(12) **United States Design Patent**
Andersson

(10) **Patent No.:** **US D470,517 S**

(45) **Date of Patent:** **** Feb. 18, 2003**

(54) **CUTTING INSERT**

(75) **Inventor:** **Claes Andersson, Valbo (SE)**

(73) **Assignee:** **Sandvik Aktiebolag (publ), Sandviken (SE)**

(**) **Term:** **14 Years**

(21) **Appl. No.:** **29/156,312**

(22) **Filed:** **Feb. 28, 2002**

(30) **Foreign Application Priority Data**

Aug. 31, 2001 (SE) 01-1423

(51) **LOC (7) Cl.** **15-09**

(52) **U.S. Cl.** **D15/139**

(58) **Field of Search** D15/138, 139;
407/116, 117

(56) **References Cited**

U.S. PATENT DOCUMENTS

D350,549 S * 9/1994 Lindstedt et al. D15/139

5,511,911 A * 4/1996 Katbi et al. 407/114

5,676,495 A * 10/1997 Kathi et al. 407/114

6,238,147 B1 * 5/2001 Tagtstrom et al. 407/117

* cited by examiner

Primary Examiner—Antoine Duval Davis

(74) *Attorney, Agent, or Firm*—Burns Doane Swecker & Mathis L.L.P.

(57) **CLAIM**

The ornamental design for a cutting insert, as shown and described.

DESCRIPTION

FIG. 1 is a top, front perspective view of a cutting insert showing my new design.

FIG. 2 is a top plan view thereof.

FIG. 3 is a left elevational view thereof.

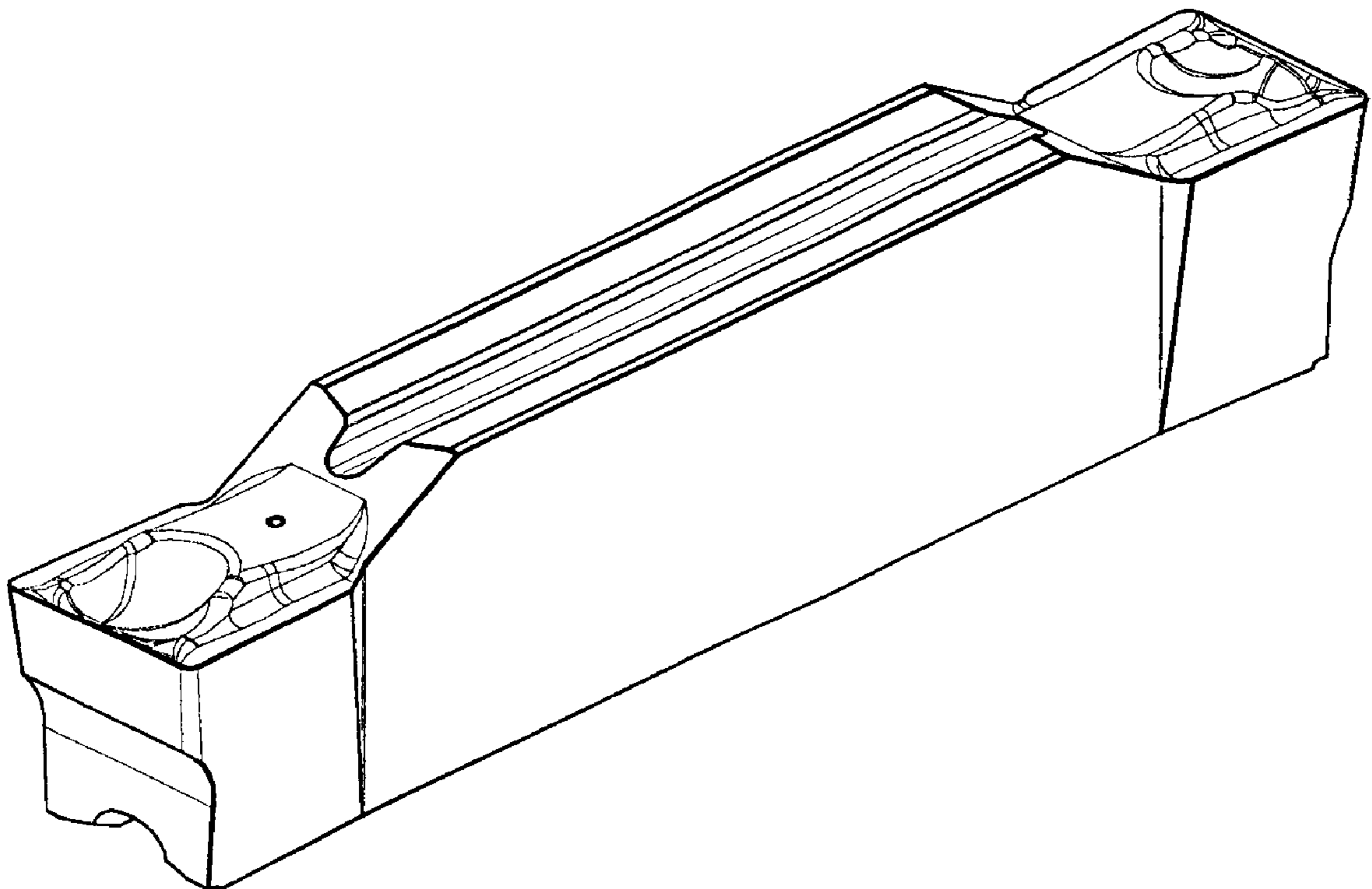
FIG. 4 is a right elevational view thereof.

FIG. 5 is a front elevational view thereof.

FIG. 6 is a rear elevational view thereof; and,

FIG. 7 is a bottom plan view thereof.

1 Claim, 2 Drawing Sheets



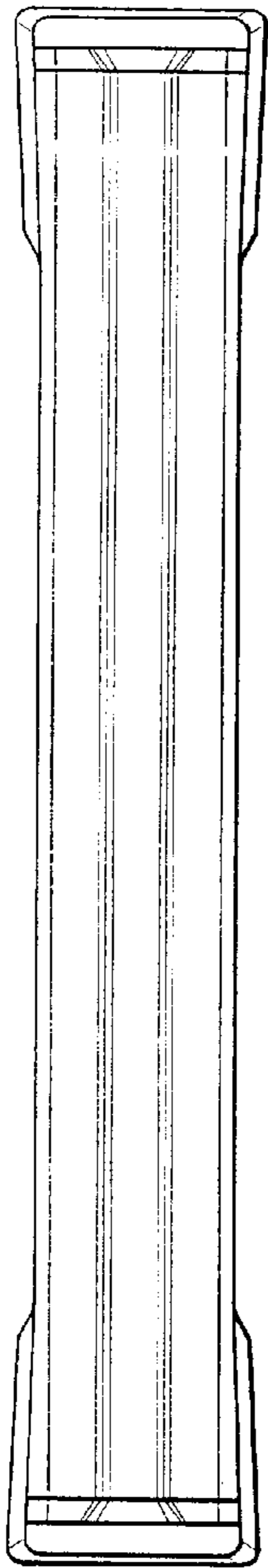


FIG. 7

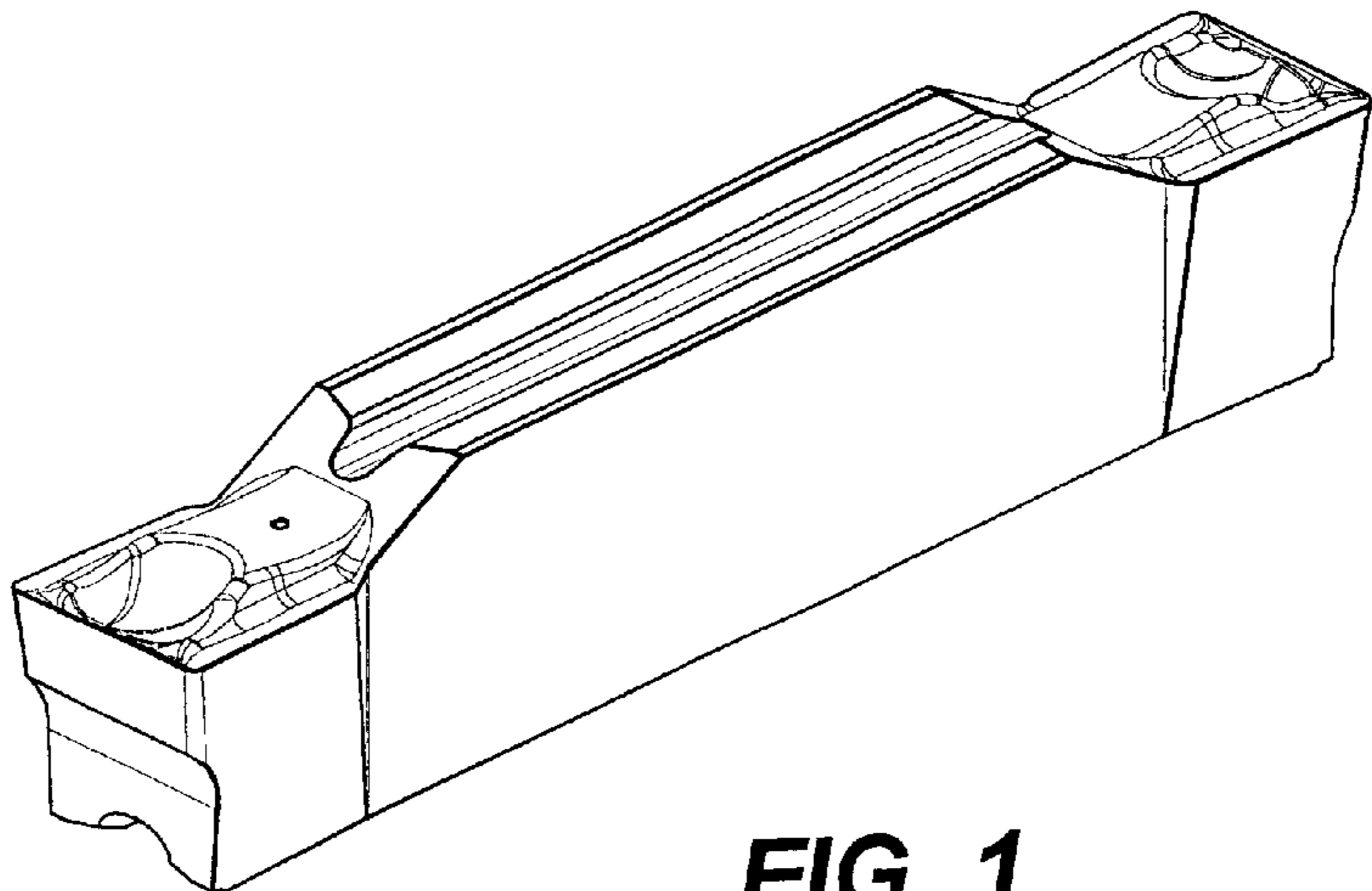


FIG. 1

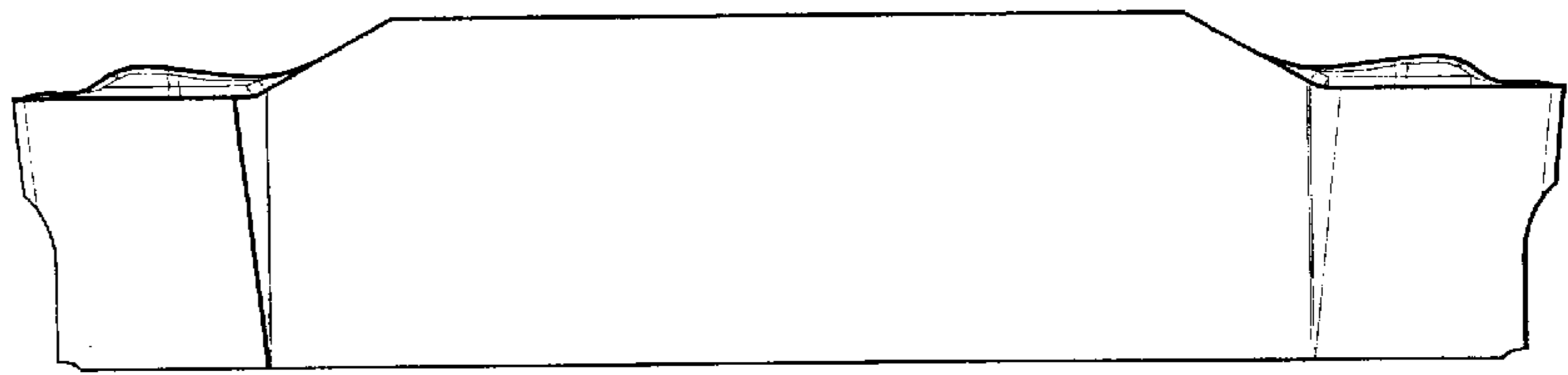


FIG. 3

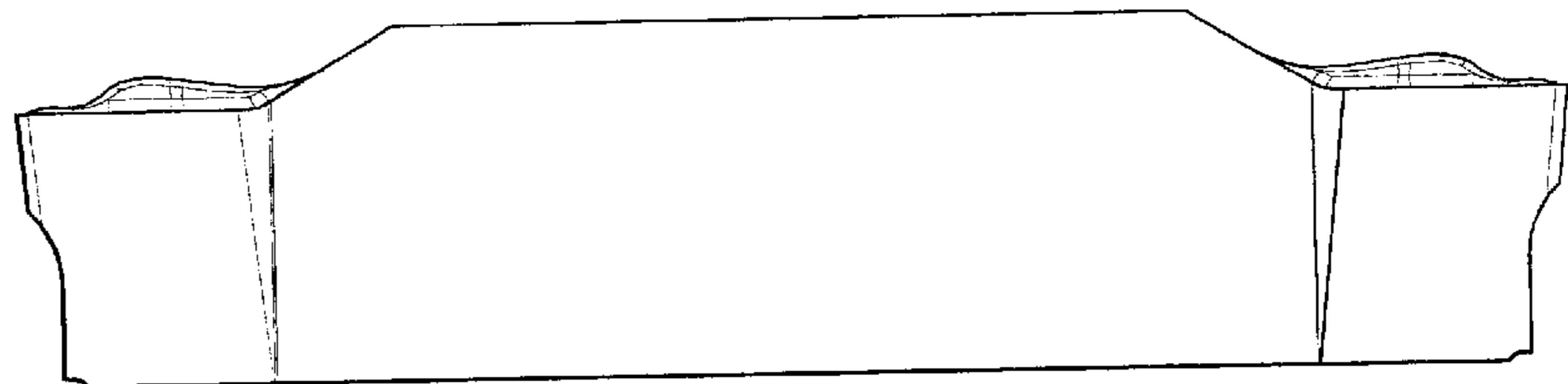


FIG. 4

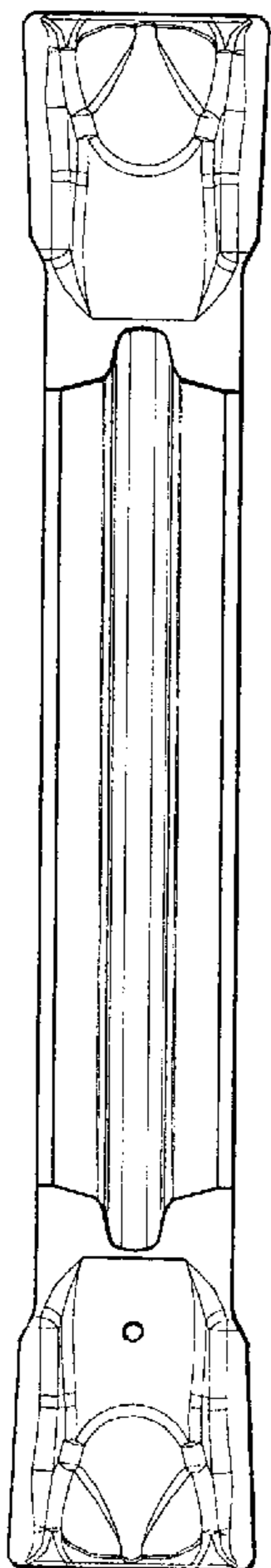


FIG. 2

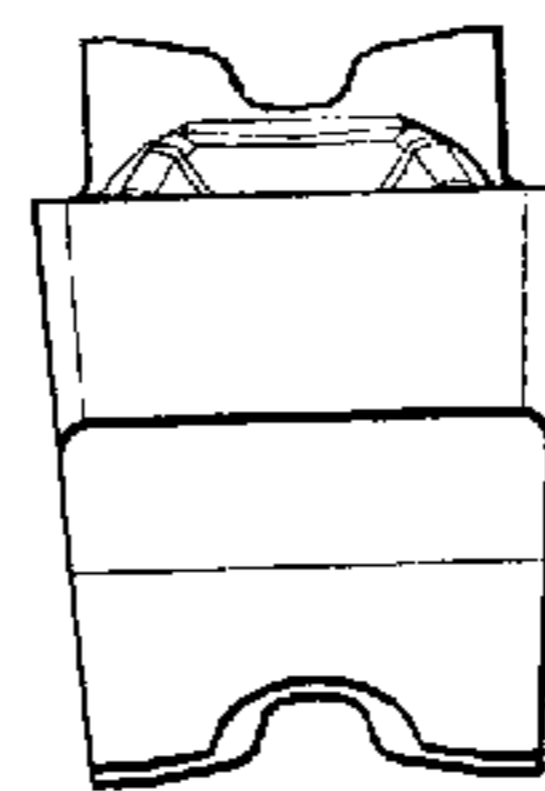


FIG. 5

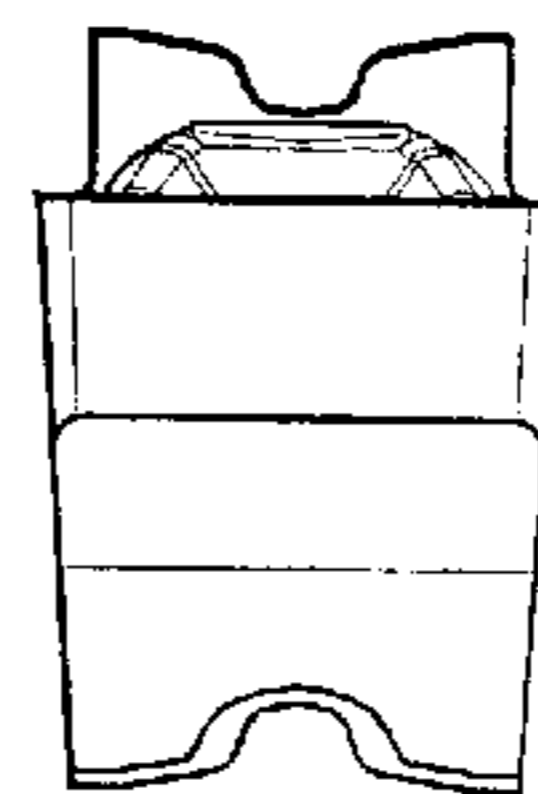


FIG. 6