



US00D470515S

(12) **United States Design Patent**
Ricci et al.

(10) **Patent No.:** **US D470,515 S**

(45) **Date of Patent:** **** Feb. 18, 2003**

(54) **OVAL MANWAY FACER**

D427,212 S * 6/2000 Ricci et al. D15/130

(75) Inventors: **Donato L. Ricci**, W8477-162nd Ave.,
Hager City, WI (US) 54014; **Brent**
Place, Red Wing, MN (US)

* cited by examiner

Primary Examiner—Antoine Duval Davis

(74) *Attorney, Agent, or Firm*—Thomas J. Nikolai; Nikolai
& Mersereau, P.A.

(73) Assignee: **Donato L. Ricci**, Hager City, WI (US)

(**) Term: **14 Years**

(57) **CLAIM**

The ornamental design for an oval manway facer, as shown
and described.

(21) Appl. No.: **29/154,357**

(22) Filed: **Jan. 24, 2002**

DESCRIPTION

(51) **LOC (7) Cl.** **15-09**

(52) **U.S. Cl.** **D15/130**

(58) **Field of Search** D15/130; 82/1.3,
82/4, 113, 1.11, 123, 131; 30/103, 105

FIG. 1 is a front view of an oval manway facer showing our
new design;

FIG. 2 is a rear view thereof;

FIG. 3 is a top plan view thereof;

FIG. 4 is a bottom plan view thereof;

FIG. 5 is a right end view thereof;

FIG. 6 is a left end view thereof; and,

FIG. 7 is an exploded perspective view thereof.

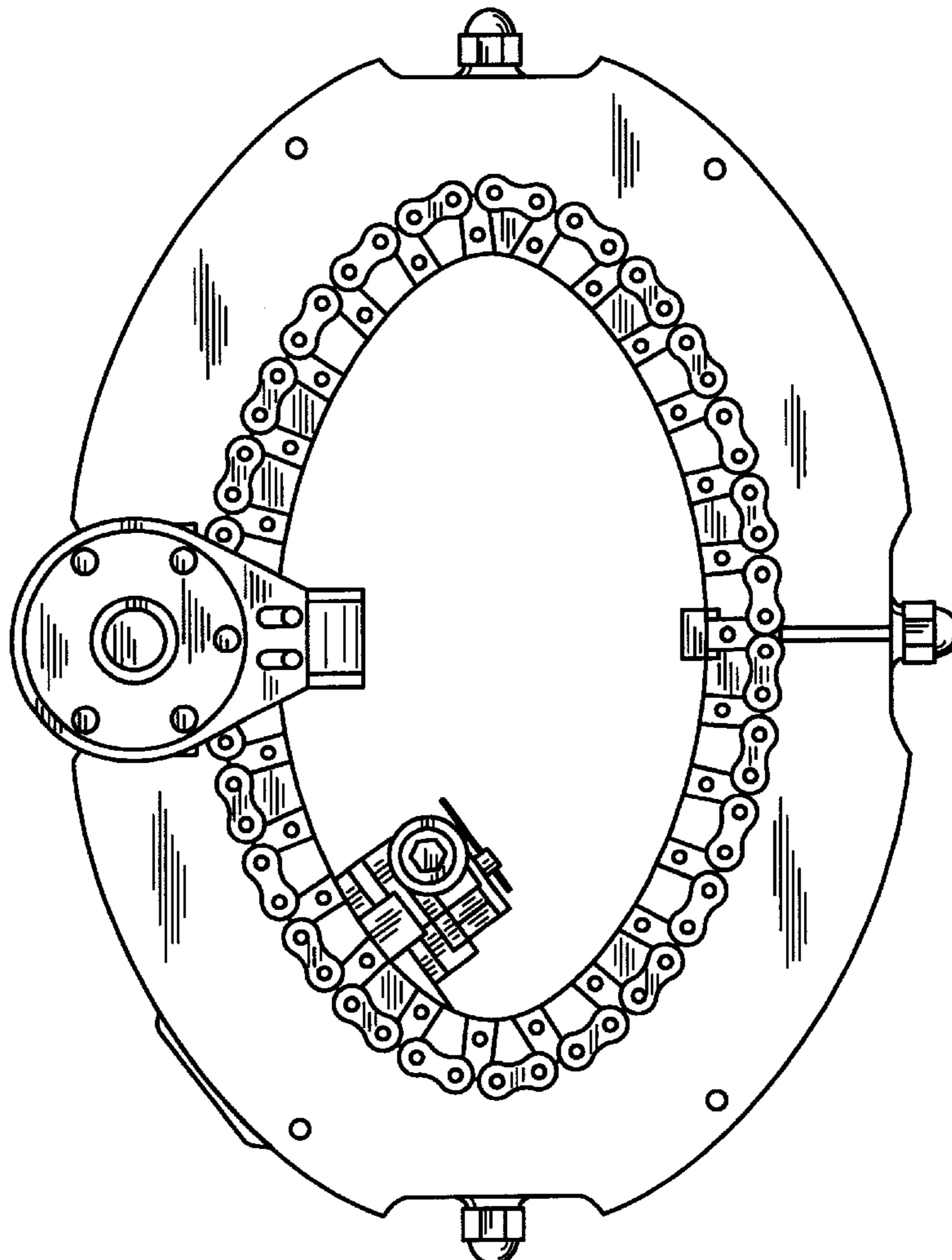
(56) **References Cited**

U.S. PATENT DOCUMENTS

5,429,021 A 7/1995 Astle et al.

5,775,188 A * 7/1998 Stralt 82/1.11

1 Claim, 6 Drawing Sheets



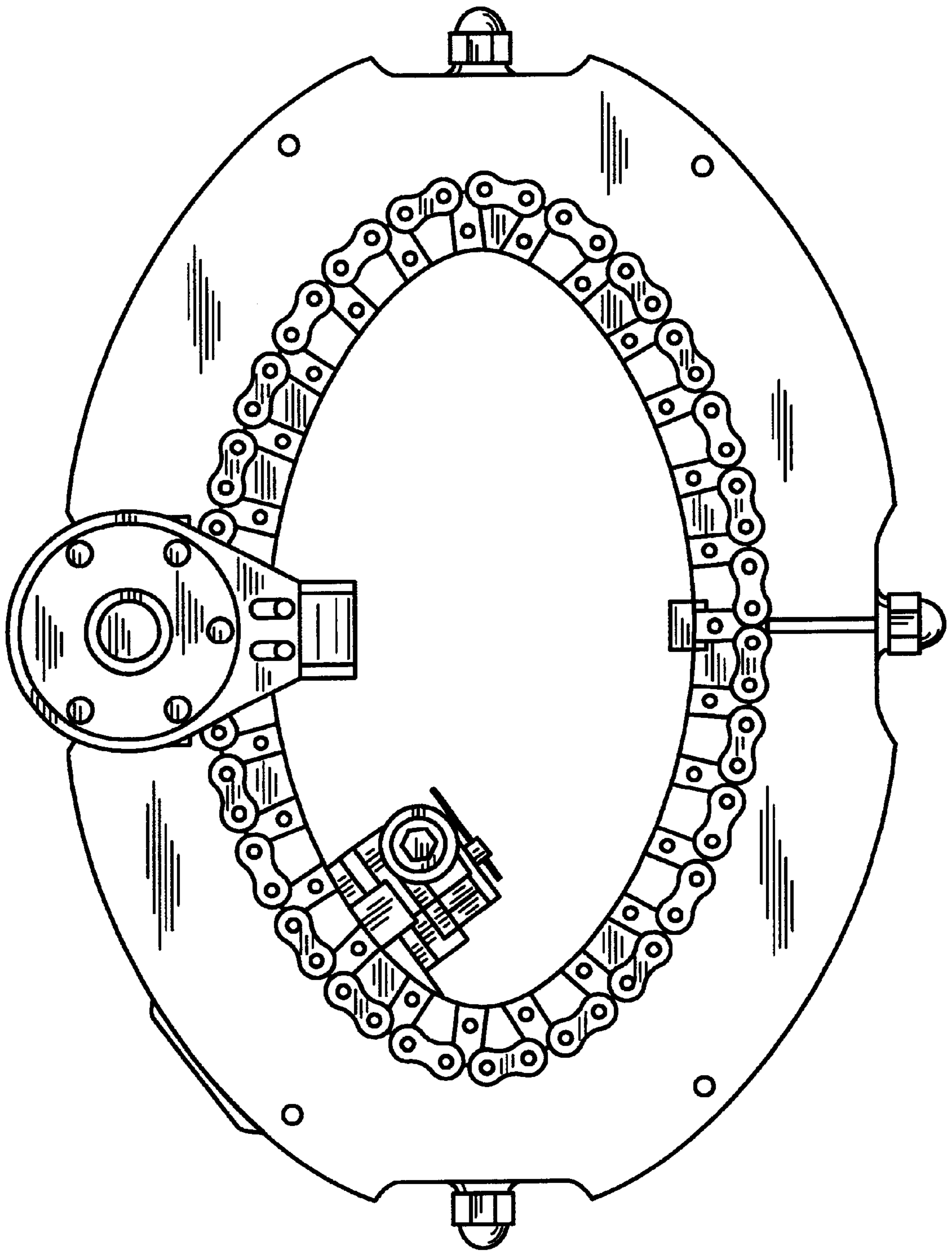


FIG. 1

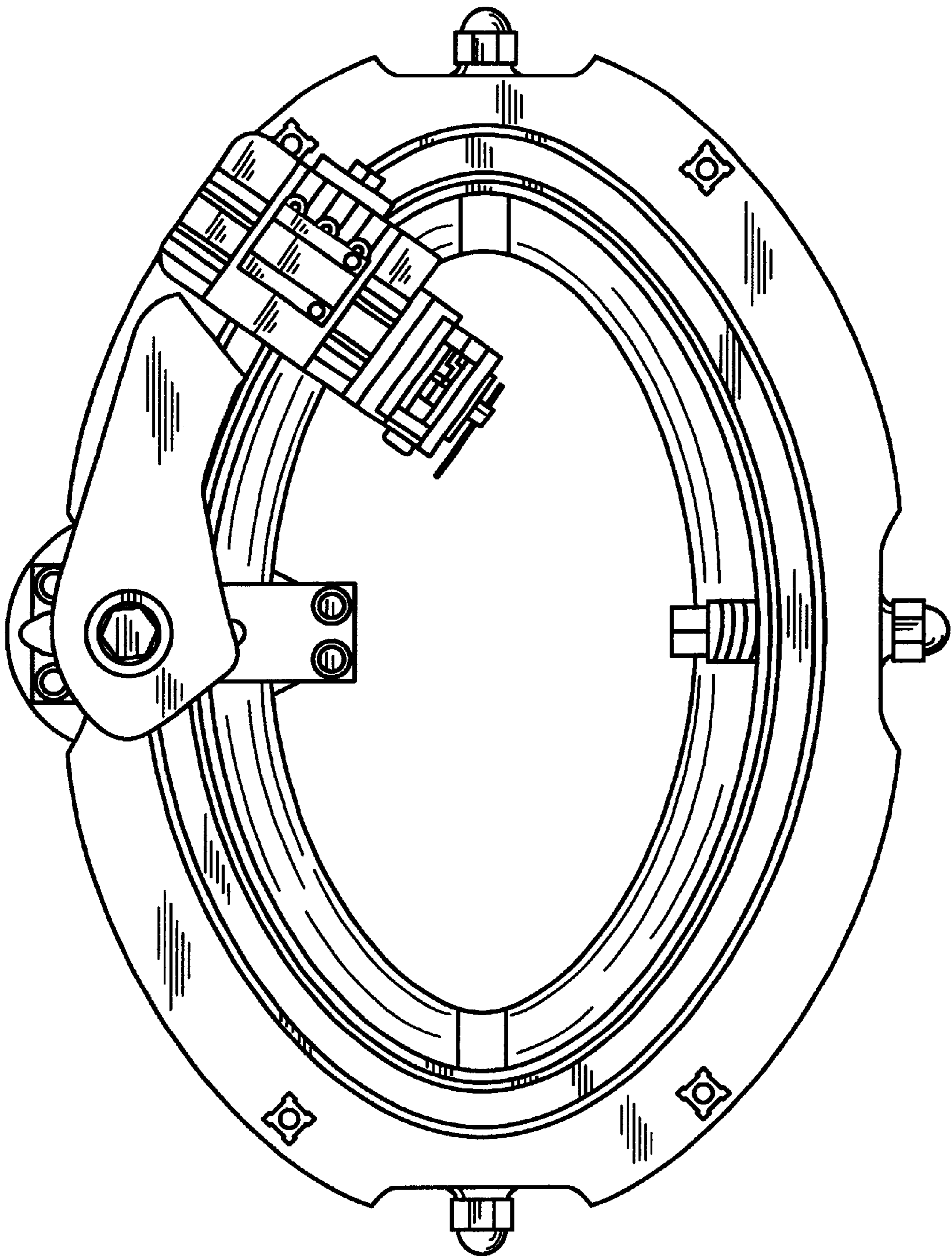


FIG. 2

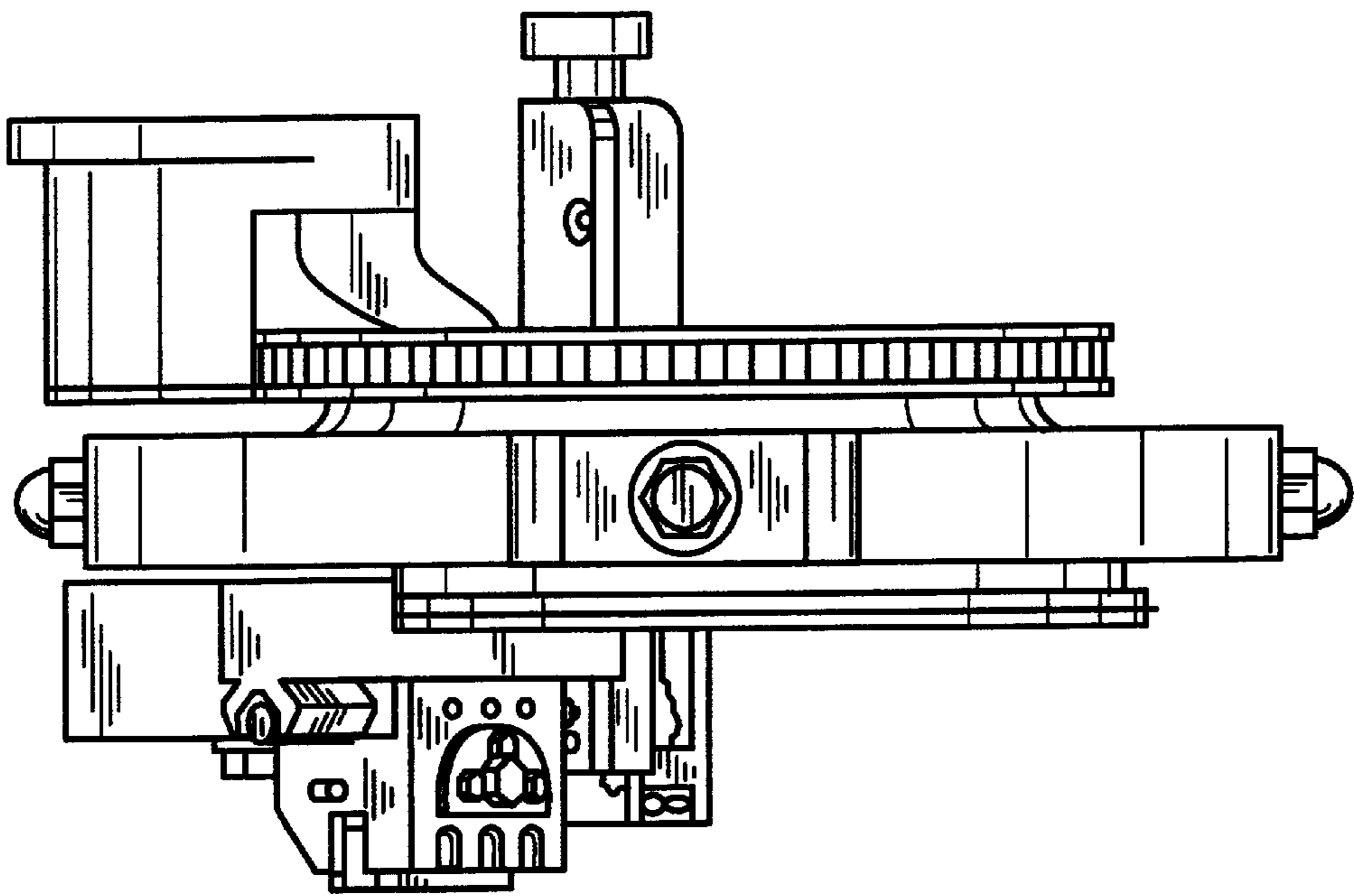


FIG. 3

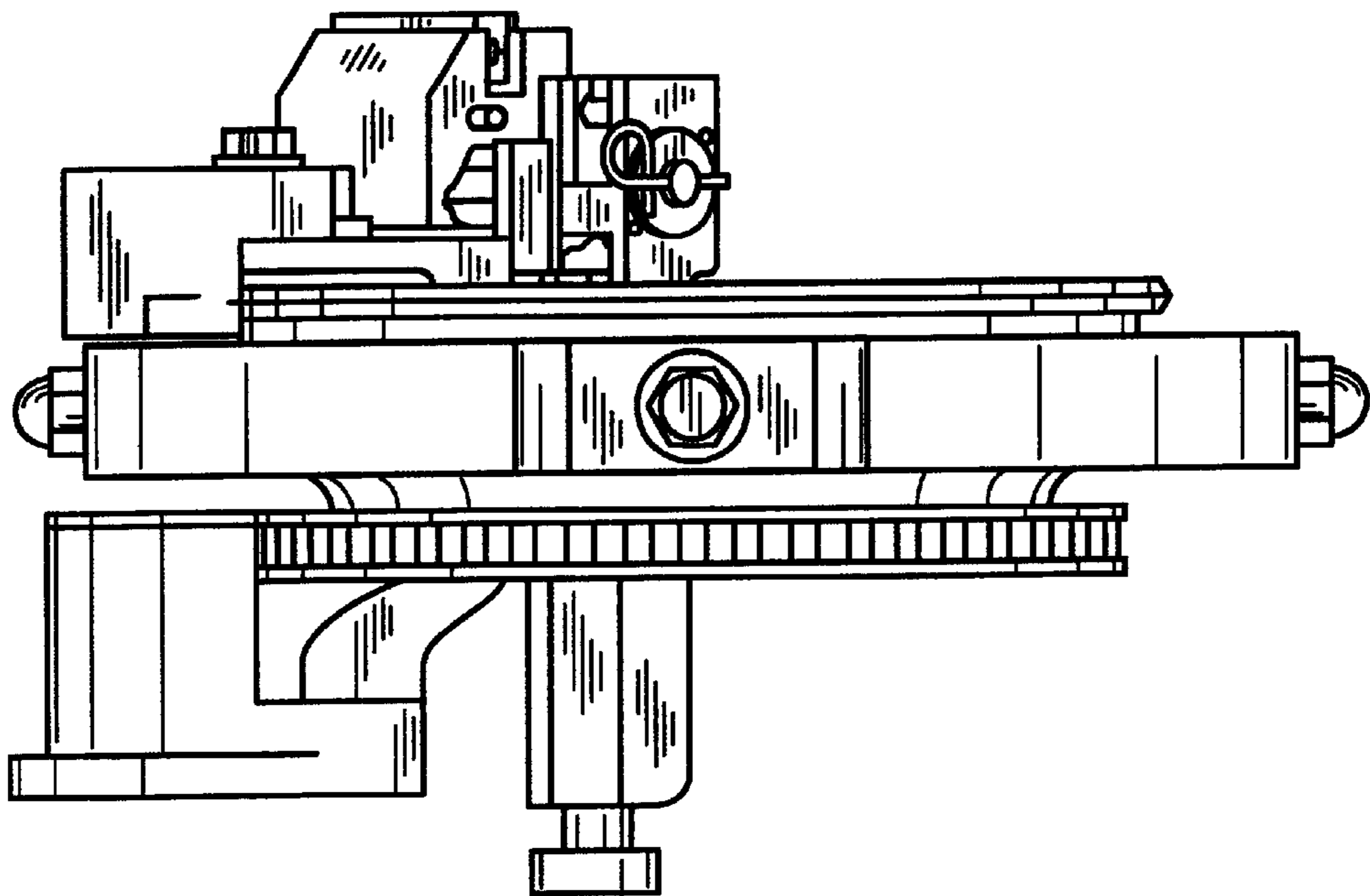


FIG. 4

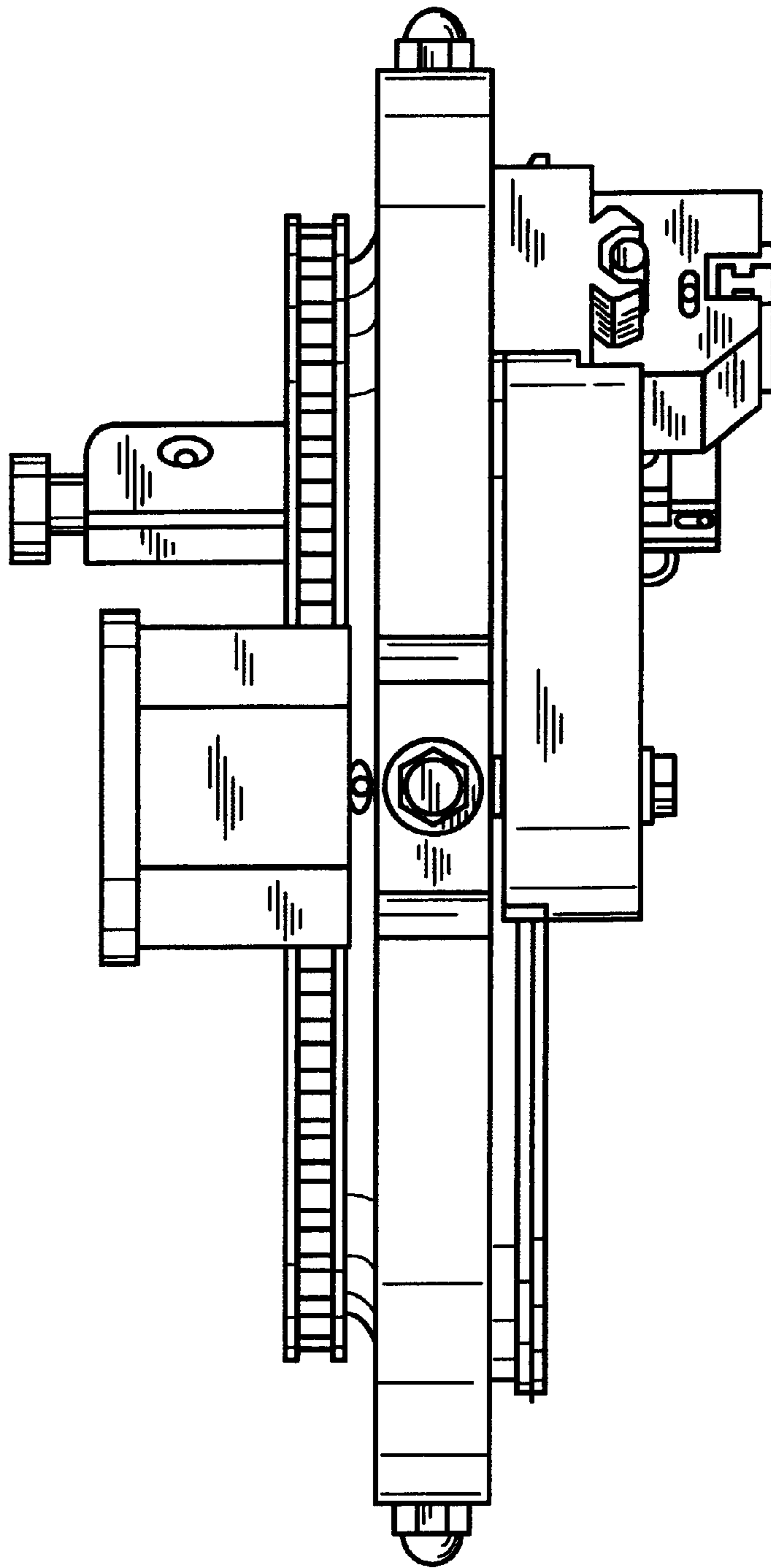


FIG. 5

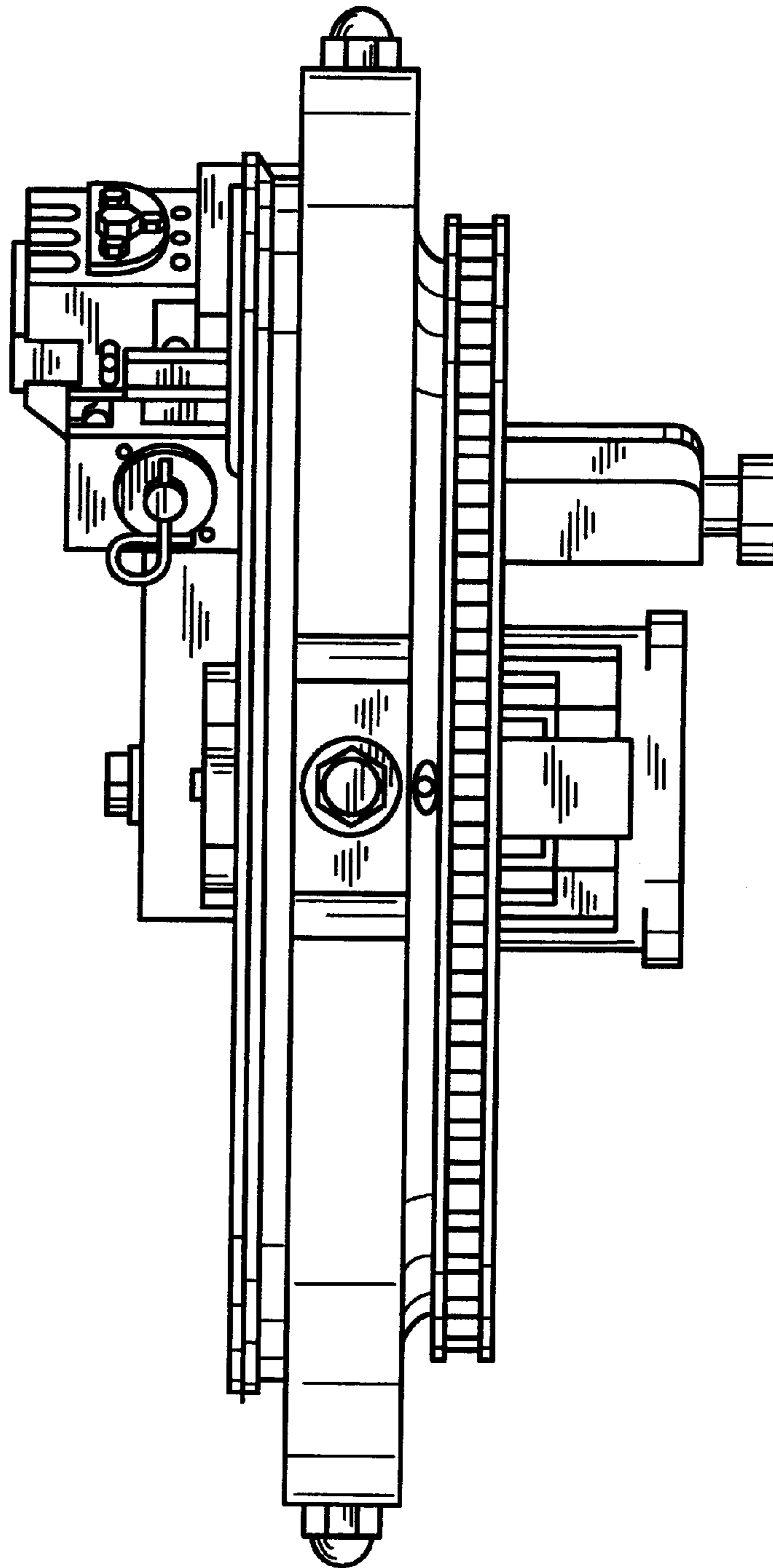


FIG. 6

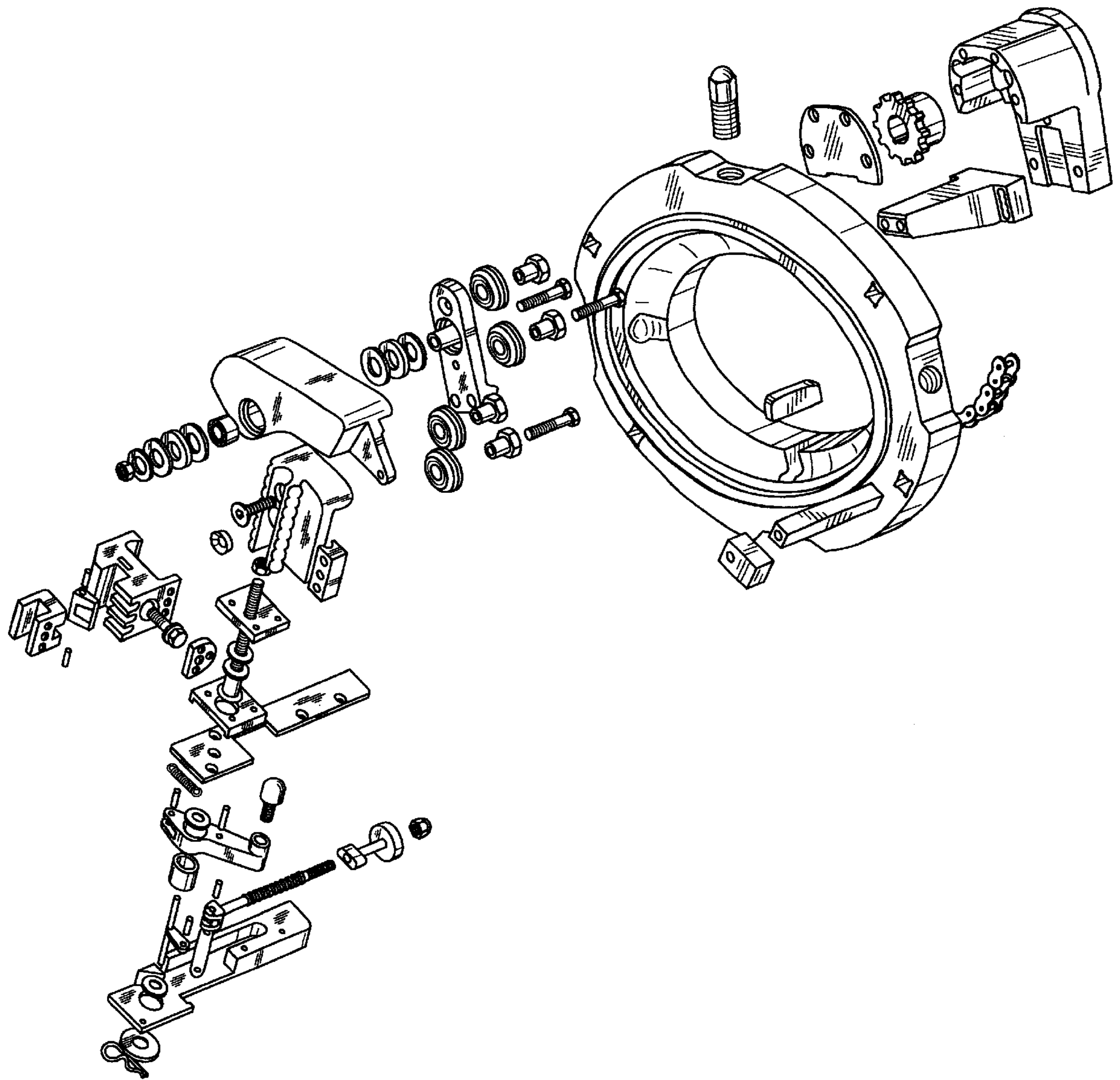


FIG. 7