



US00D470512S

(12) **United States Design Patent**
Miller et al.

(10) **Patent No.:** **US D470,512 S**

(45) **Date of Patent:** **** Feb. 18, 2003**

(54) **SKID LOADER**

(75) Inventors: **Christopher S. Miller**, Hamilton, OH (US); **Derek J. Hartwell**, Hamilton, OH (US); **Jeffrey T. Stanley**, Hamilton, OH (US)

(73) Assignee: **Finn Corporation**, Fairfield, OH (US)

(**) Term: **14 Years**

(21) Appl. No.: **29/162,777**

(22) Filed: **Jun. 21, 2002**

- 3,235,035 A 2/1966 Weaver, Jr.
- D205,485 S 8/1966 Juhl et al.
- 3,279,637 A 10/1966 Olson et al.
- 3,388,821 A 6/1968 White, Jr.
- D217,661 S 5/1970 McCawley
- 3,635,365 A 1/1972 Bauer
- D224,588 S 8/1972 Bauer
- D231,482 S 4/1974 Bauer
- 3,866,700 A 2/1975 Bauer
- 3,963,131 A 6/1976 Dimmer
- D240,757 S 7/1976 Henderson et al.
- D243,266 S 2/1977 Breneman
- 4,030,560 A 6/1977 Parquet et al.
- 4,074,782 A 2/1978 Bauer
- D247,814 S 5/1978 Johnson et al.
- D251,088 S 2/1979 Johnson et al.

Related U.S. Application Data

(62) Division of application No. 29/133,943, filed on Dec. 11, 2000, now Pat. No. Des. 463,454.

(51) **LOC (7) Cl.** **15-03**

(52) **U.S. Cl.** **D15/22**

(58) **Field of Search** D15/22-26, 28, D15/33; 414/680, 684, 722, 743

(List continued on next page.)

Primary Examiner—Mitchell Siegel

(74) *Attorney, Agent, or Firm*—Dinsmore & Shohl LLP

(57) **CLAIM**

The ornamental design for a skid loader, as shown and described.

(56) **References Cited**

U.S. PATENT DOCUMENTS

- 2,114,156 A 4/1938 Towson
- 2,178,370 A 10/1939 Dunham
- D141,271 S 5/1945 Williams
- D141,272 S 5/1945 Williams
- D144,738 S 5/1946 Simmonds
- D155,815 S 11/1949 Lessmann
- D157,452 S 2/1950 Wagner
- D163,884 S 7/1951 Mandt
- D164,895 S 10/1951 Beyerstedt
- D165,320 S 12/1951 Beyerstedt
- D172,069 S 4/1954 Wagner
- D175,391 S 8/1955 Burrus et al.
- D184,598 S 3/1959 Beyerstedt
- 2,885,016 A 5/1959 Ayers
- D191,506 S 10/1961 Keller
- D193,503 S 9/1962 Ashley, Jr. et al.
- D194,663 S 2/1963 Brown
- D195,254 S 5/1963 Keller et al.
- D201,126 S 5/1965 Kromer

DESCRIPTION

FIG. 1 is a front perspective view of the skid loader, with the lifting arm in the lowered position;

FIG. 2 is a front perspective view of the skid loader of FIG. 1, with the lifting arm in the raised position;

FIG. 3 is a left side elevational view of the skid loader of FIG. 1;

FIG. 4 is a right side elevational view of the skid loader of FIG. 1;

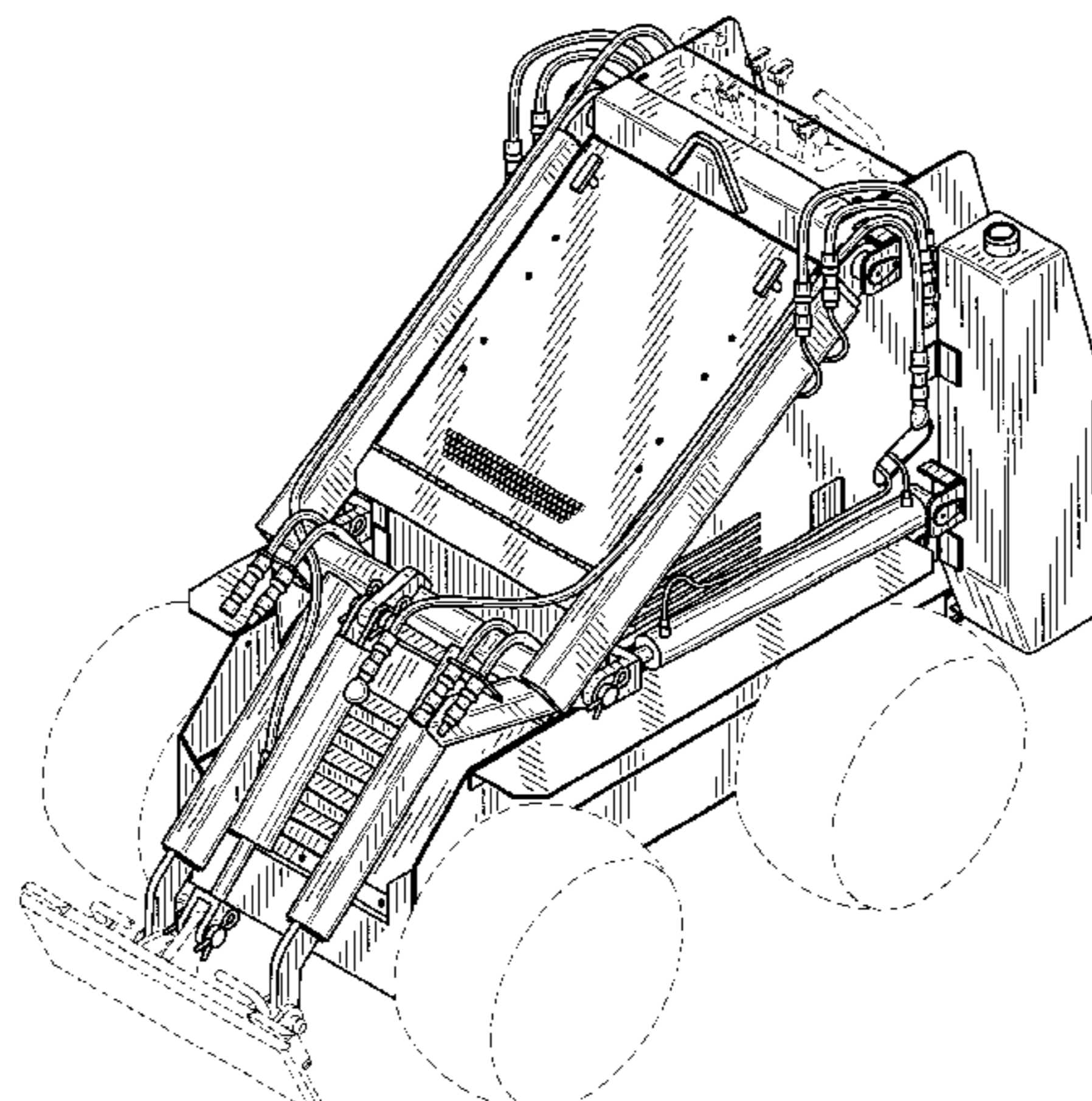
FIG. 5 is a front elevational view of the skid loader of FIG. 1;

FIG. 6 is a rear elevational view of the skid loader of FIG. 1;

FIG. 7 is a top plan view of the skid loader of FIG. 1; and,

FIG. 8 is a rear perspective view of the skid loader of FIG. 1.

1 Claim, 8 Drawing Sheets



US D470,512 S

Page 2

U.S. PATENT DOCUMENTS

D255,696 S	7/1980	Fratarcangeli	D322,792 S	12/1991	Park
D259,631 S	6/1981	Ramacciotti	D358,157 S	5/1995	Kusunoki et al.
4,287,966 A	9/1981	Frees	D359,497 S	6/1995	Rayner
D271,397 S	11/1983	Kuhn et al.	D361,576 S	8/1995	Matsubara et al.
D272,825 S	2/1984	Cochran et al.	D376,372 S	12/1996	Little et al.
D272,826 S	2/1984	Cochran et al.	5,590,731 A	1/1997	Jacobson
D277,897 S	3/1985	Lindqvist	5,711,391 A	1/1998	Brandt et al.
D294,032 S	2/1988	Whiffin	5,738,187 A	4/1998	Dammeyer et al.
D295,417 S	4/1988	Sagaser et al.	D405,807 S	2/1999	Amy et al.
D297,539 S	9/1988	Morita et al.	D407,418 S	3/1999	Miller et al.
4,919,233 A	4/1990	Larsen et al.	5,890,562 A	4/1999	Bartels et al.
4,949,805 A	8/1990	Mather et al.	5,918,693 A	7/1999	Mantovani et al.
D314,389 S	2/1991	Lynnes et al.	D431,574 S	10/2000	Porter
D317,926 S	7/1991	Lynnes et al.	D438,218 S	2/2001	McIlwraith
			6,182,778 B1	2/2001	Henshaw et al.
			6,241,047 B1	6/2001	Gilliland et al.

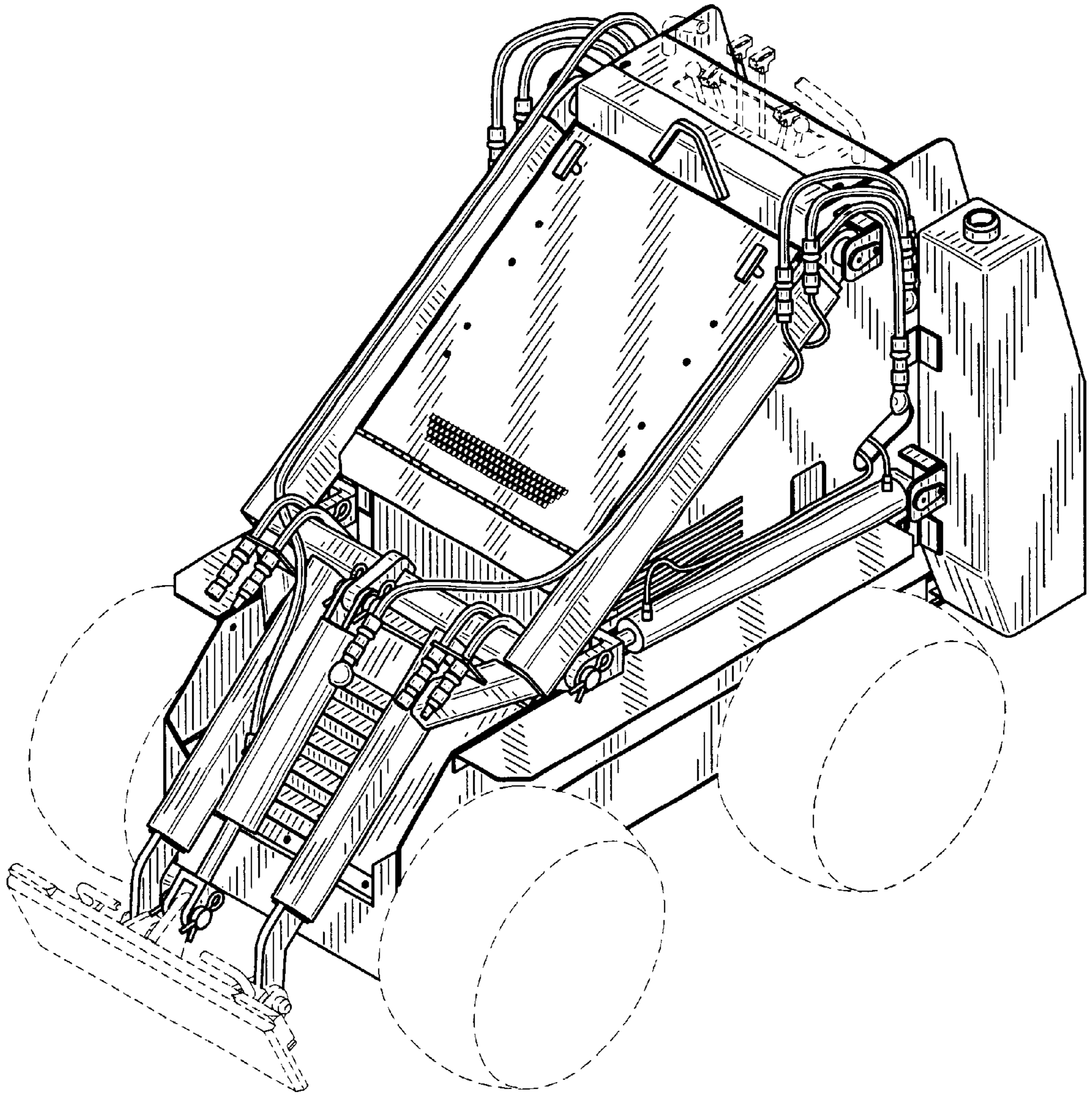


FIG. 1

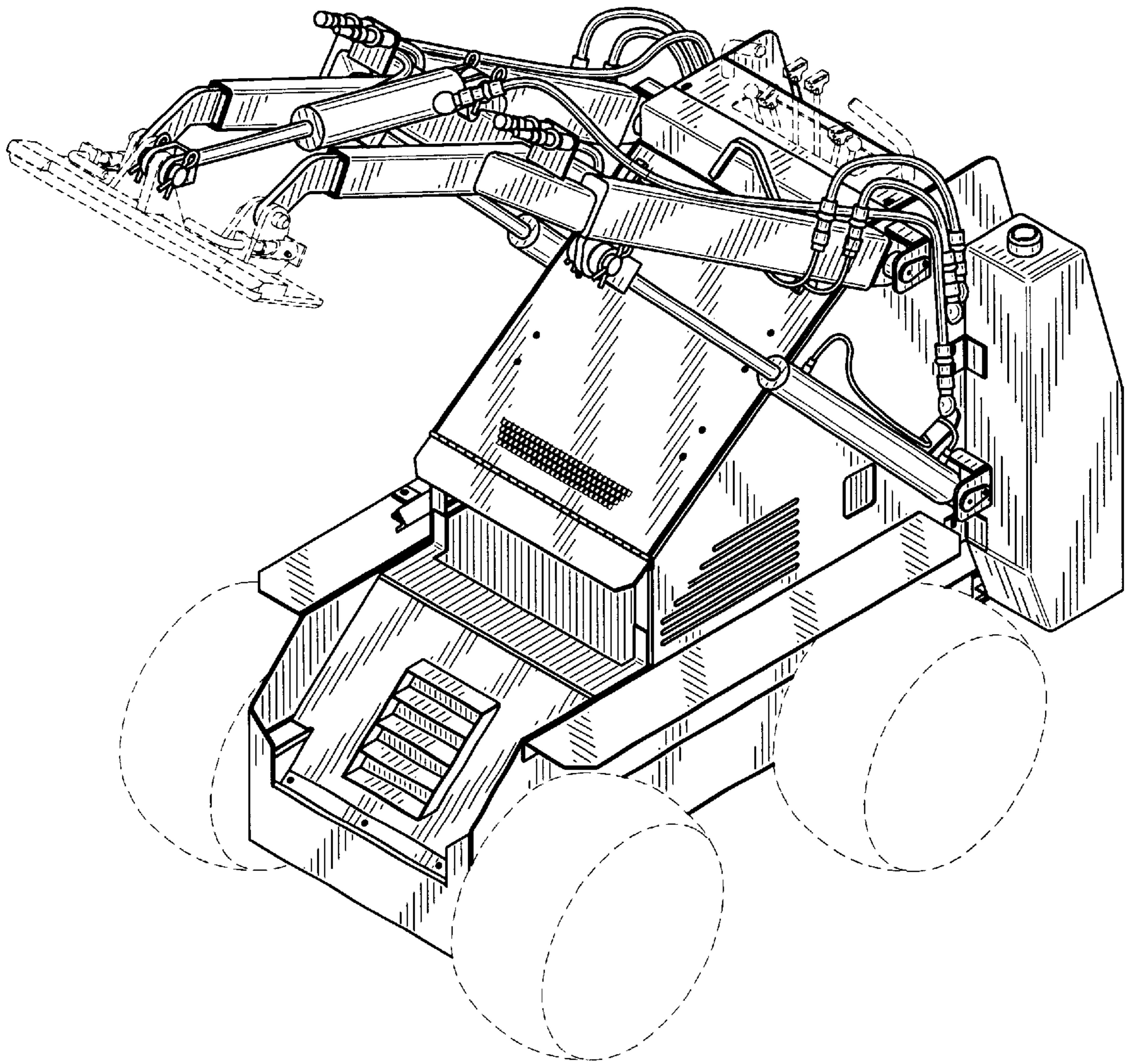


FIG. 2

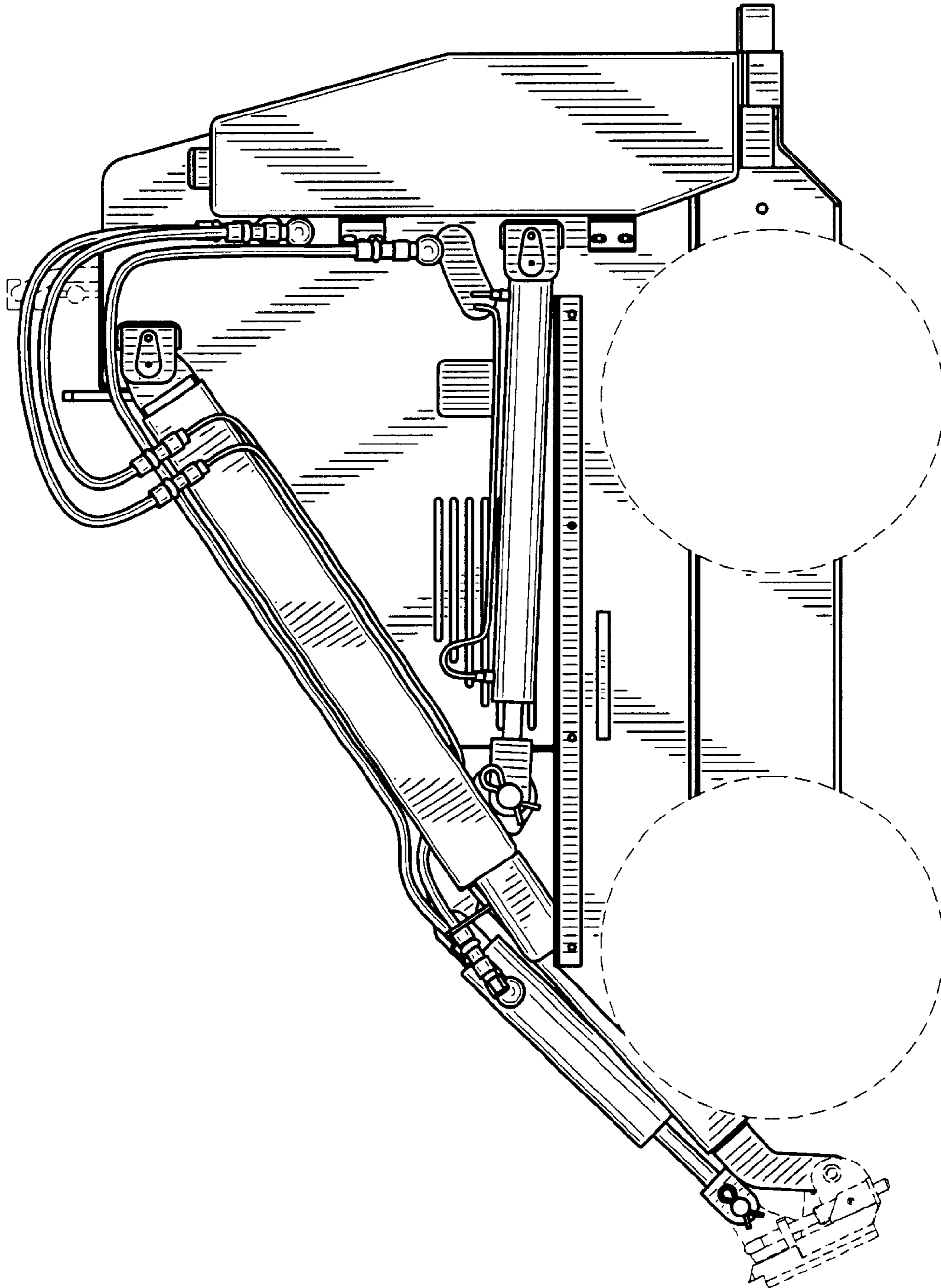


FIG. 3

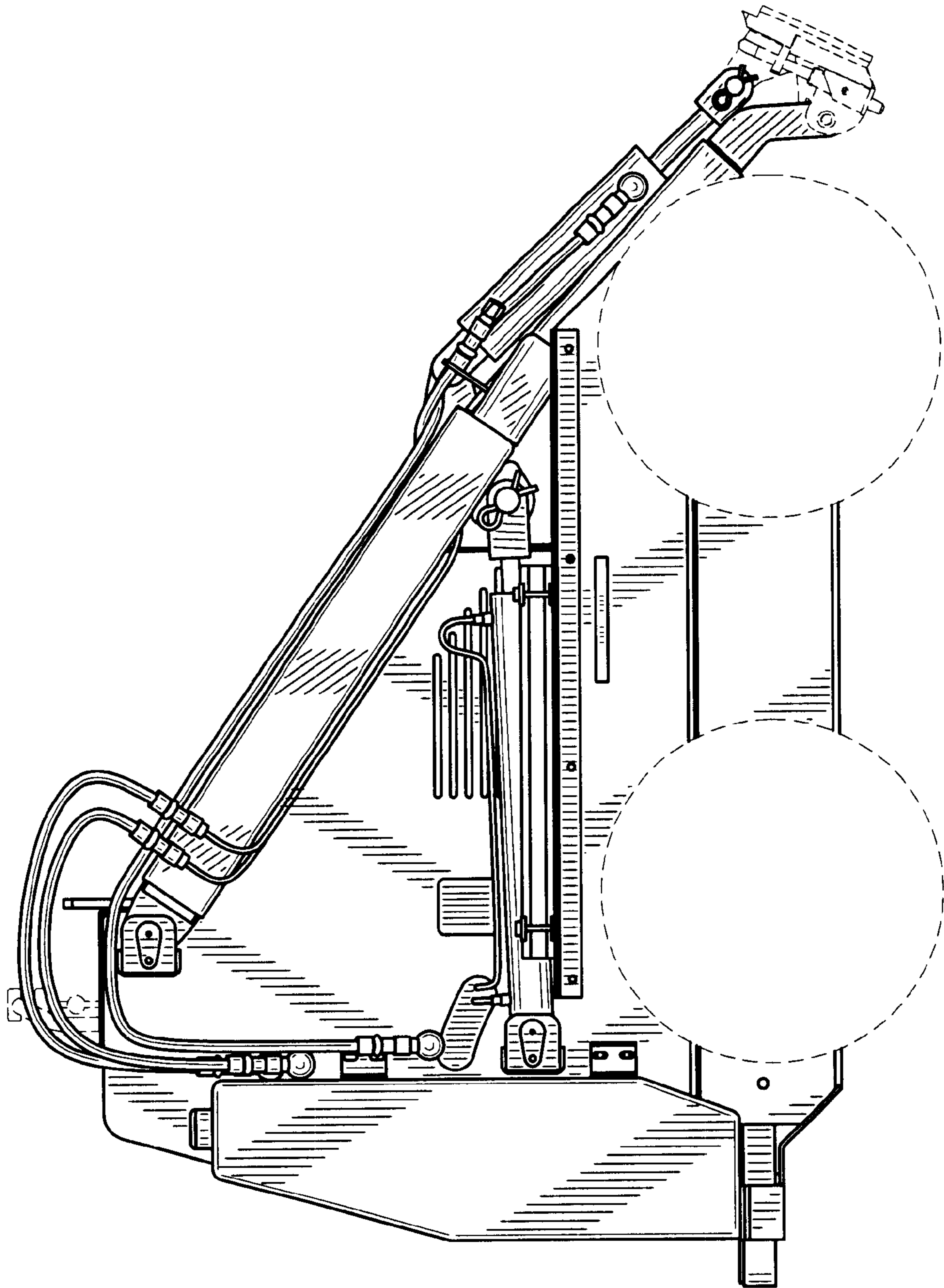


FIG. 4

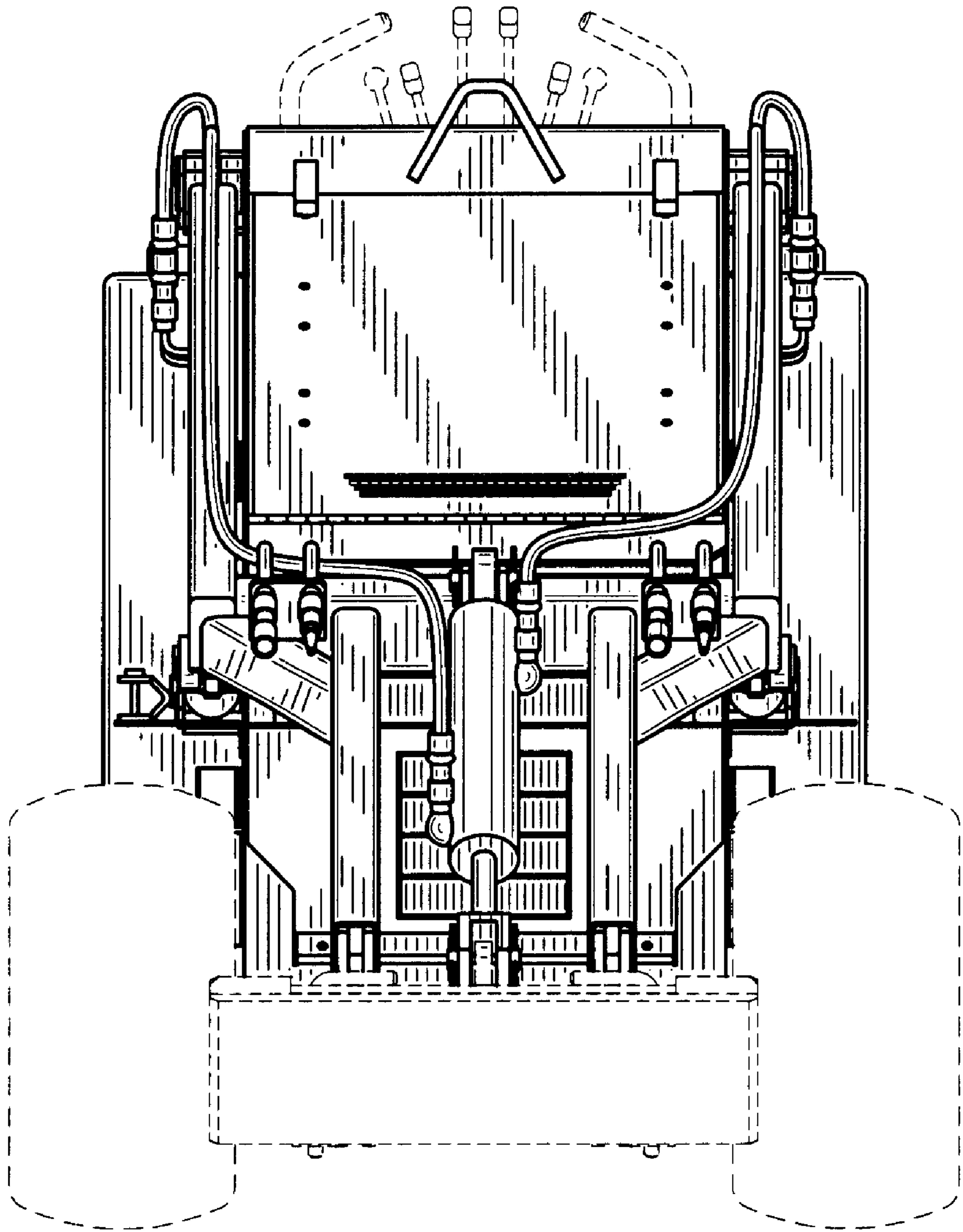


FIG. 5

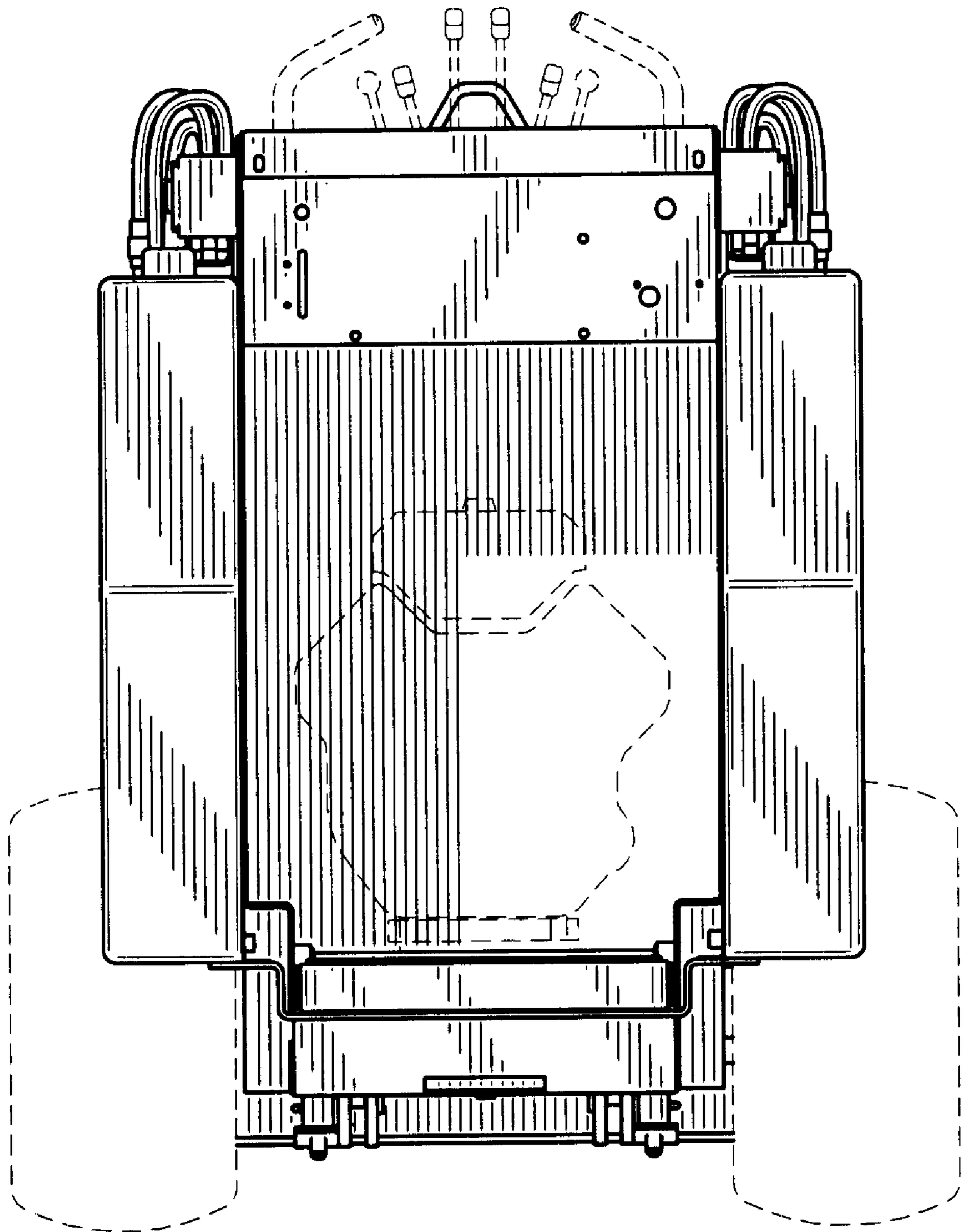


FIG. 6

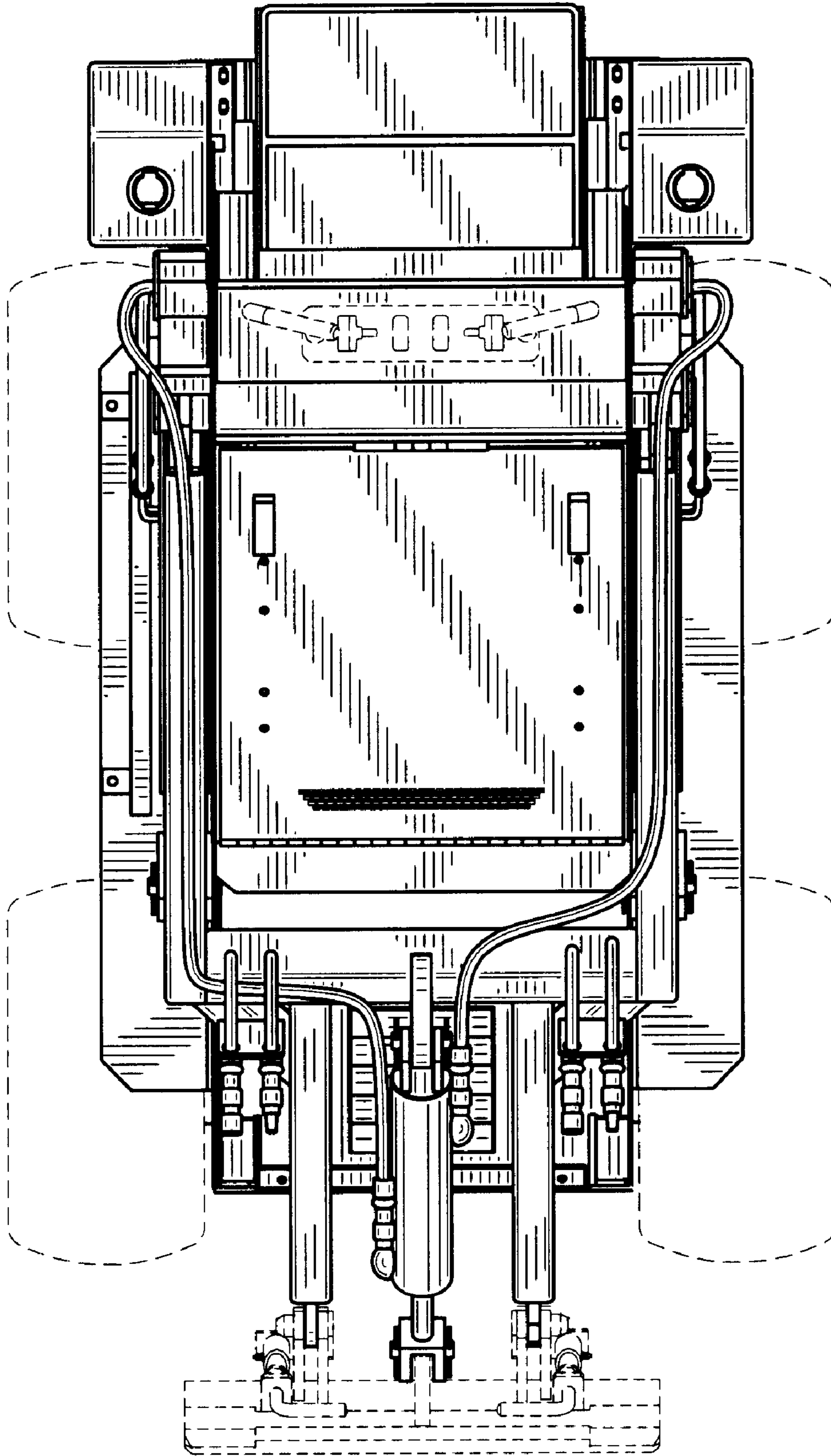


FIG. 7

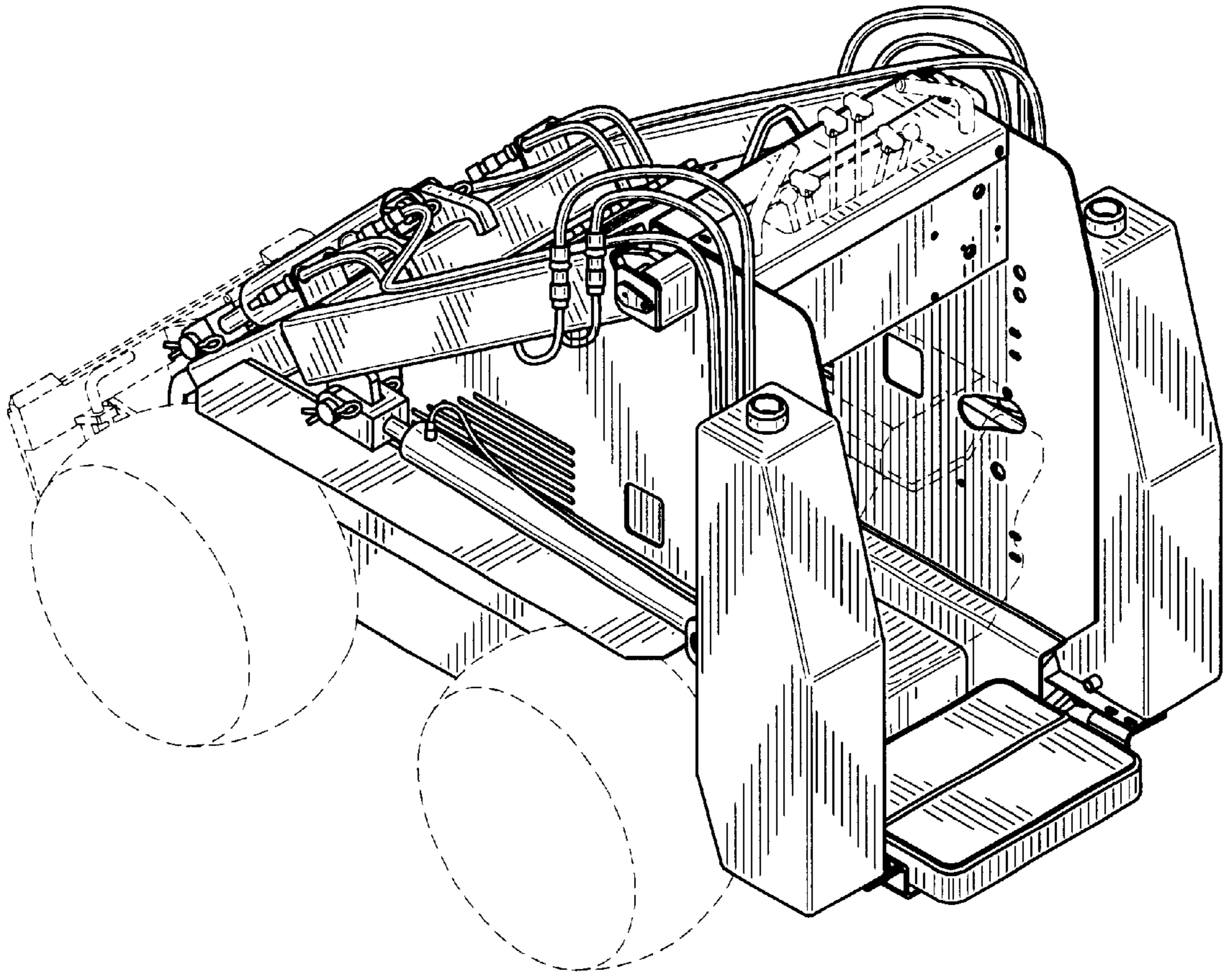


FIG. 8