



US00D470510S

(12) **United States Design Patent**
Chen

(10) **Patent No.:** **US D470,510 S**

(45) **Date of Patent:** **** Feb. 18, 2003**

(54) **HAND-HELD AIR-COMPRESSOR FOR CAR**

(76) **Inventor:** **Chi-Ming Chen**, P.O. Box No. 6-57,
Chung-Ho, Taipei 235 (TW)

(**) **Term:** **14 Years**

(21) **Appl. No.:** **29/149,685**

(22) **Filed:** **Oct. 16, 2001**

(51) **LOC (7) Cl.** **15-02**

(52) **U.S. Cl.** **D15/9**

(58) **Field of Search** D15/7-9; 417/415,
417/419, 234, 239, 321, 410-411, 265,
408

(56) **References Cited**

U.S. PATENT DOCUMENTS

D275,291 S	*	8/1984	Dunlap	D15/9
D300,433 S	*	3/1989	Byar et al.	D15/9
D355,918 S	*	2/1995	Wang	D15/9
D388,798 S	*	1/1998	Kan	D15/9

D394,440 S	*	5/1998	Chen	D15/9
D395,050 S	*	6/1998	Wong	D15/9
D428,020 S	*	7/2000	Bonzer	D15/7

* cited by examiner

Primary Examiner—Ralf Seifert

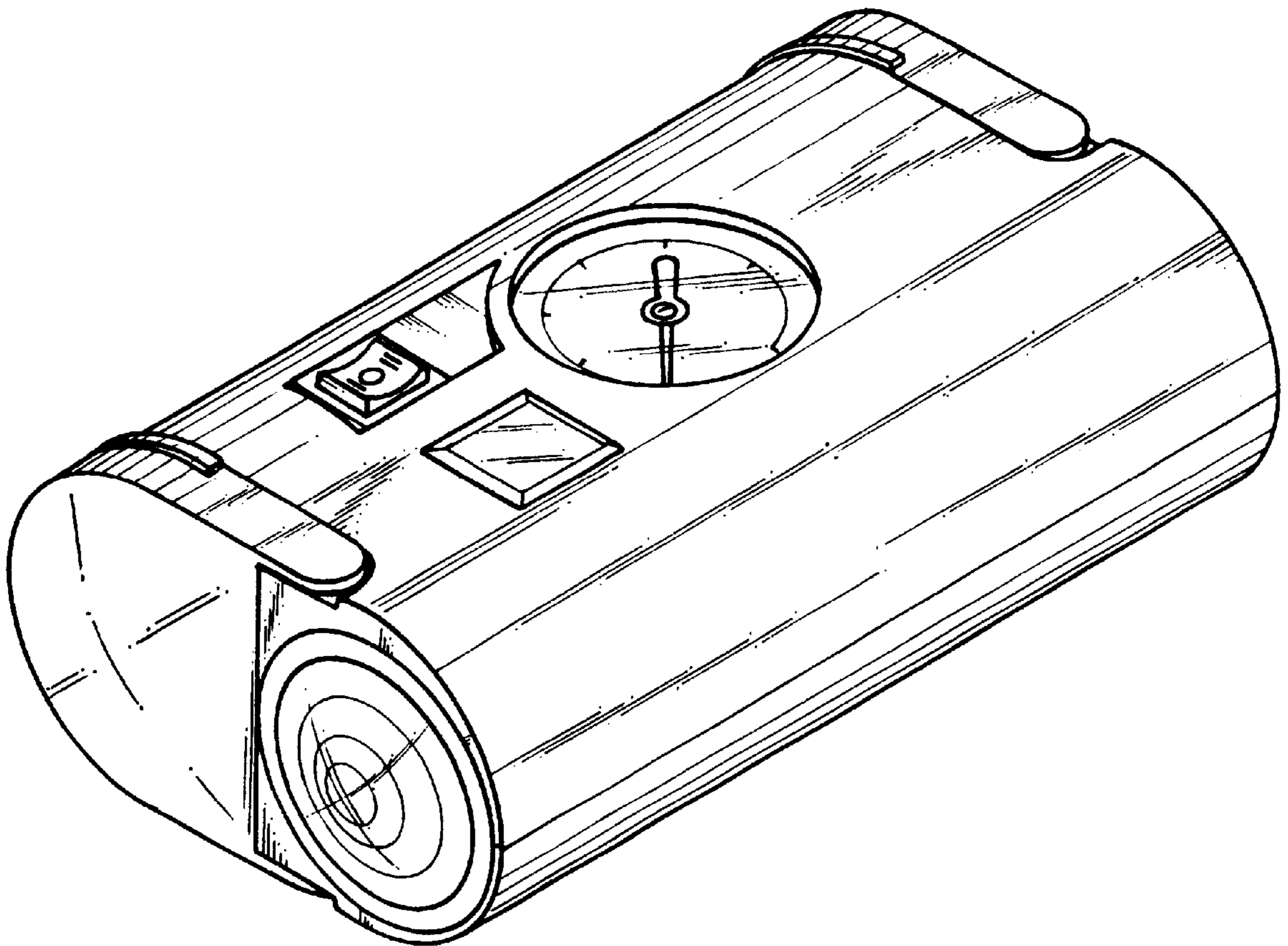
(57) **CLAIM**

The ornamental design for a hand-held air-compressor for car, as shown and described.

DESCRIPTION

FIG. 1 is a perspective view thereof;
FIG. 2 is a front view thereof;
FIG. 3 is a back view thereof;
FIG. 4 is a right side view thereof;
FIG. 5 is a left side view thereof;
FIG. 6 is a top view thereof; and,
FIG. 7 is a bottom view thereof.

1 Claim, 4 Drawing Sheets



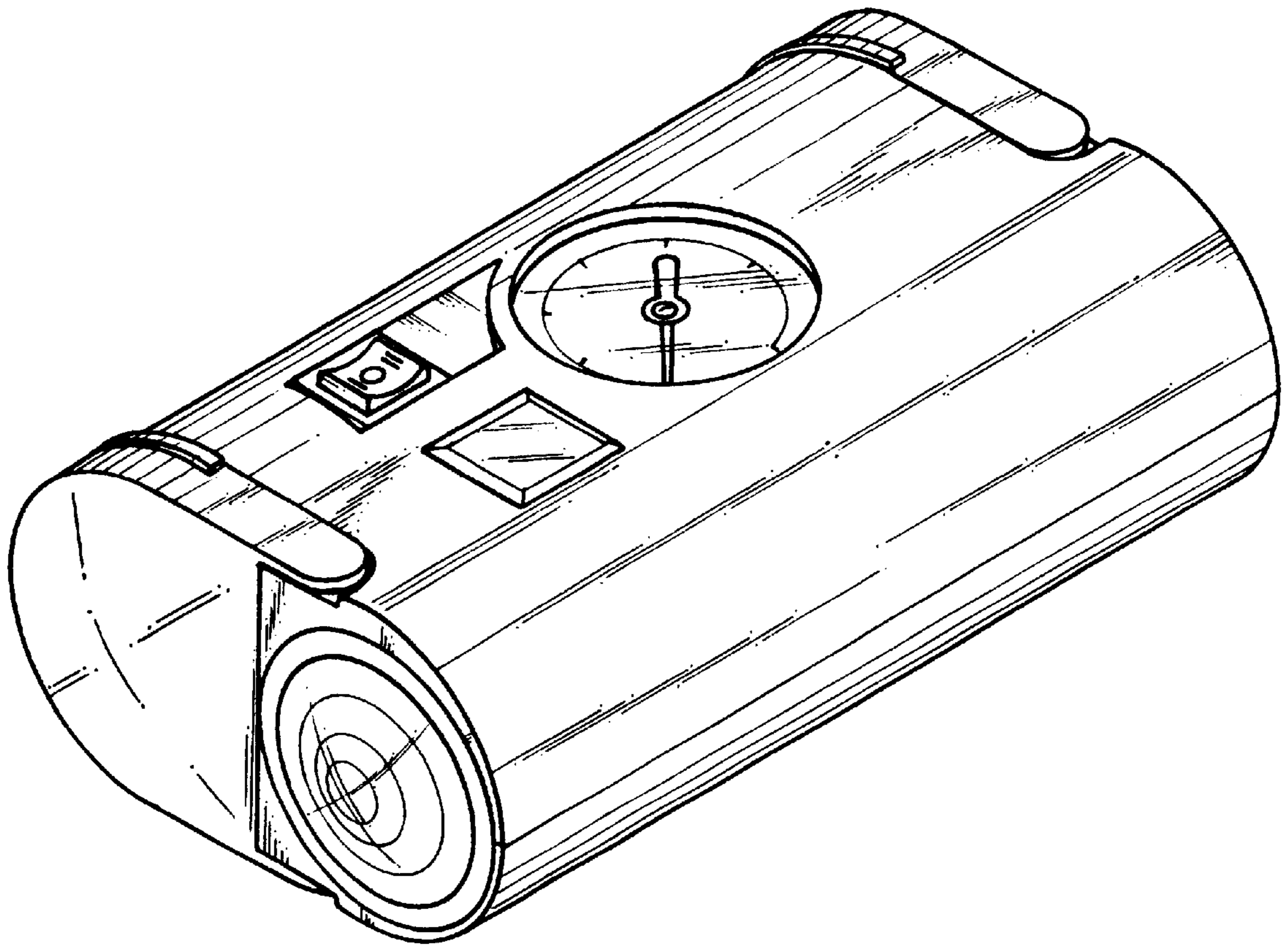


FIG.1

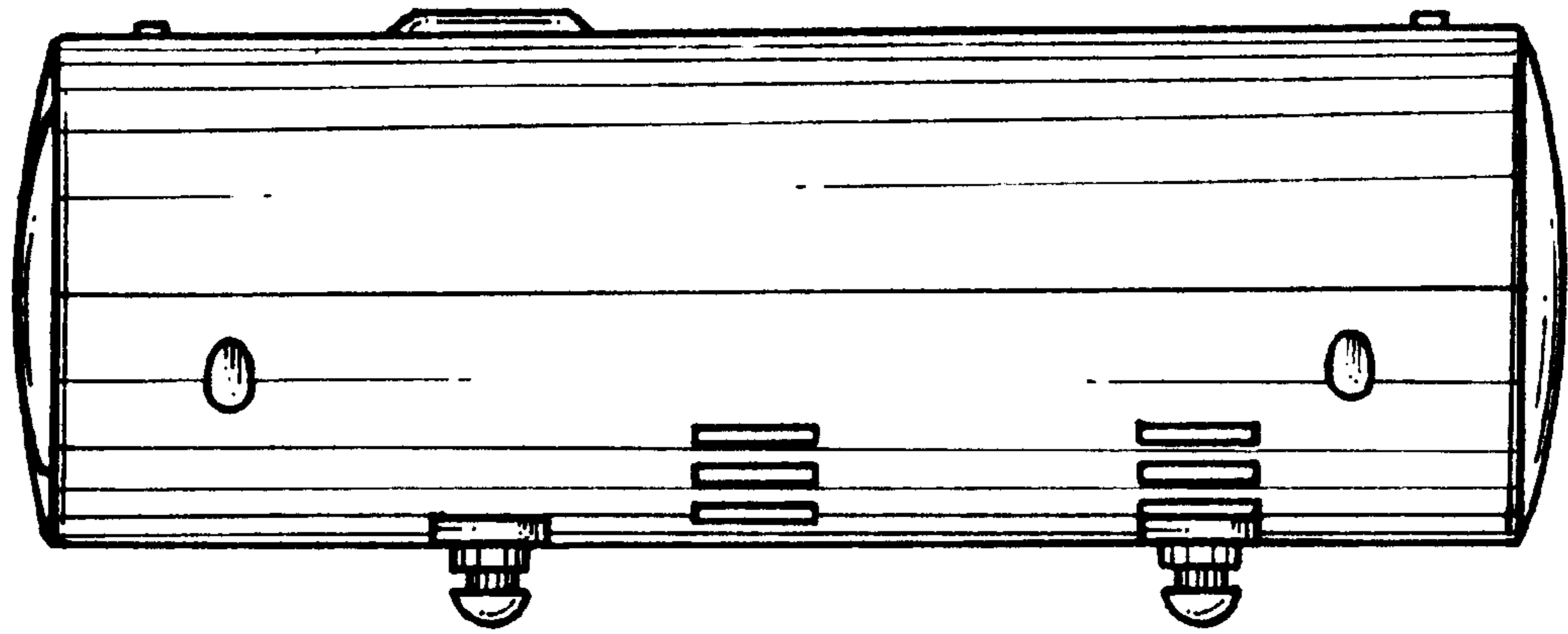


FIG. 2

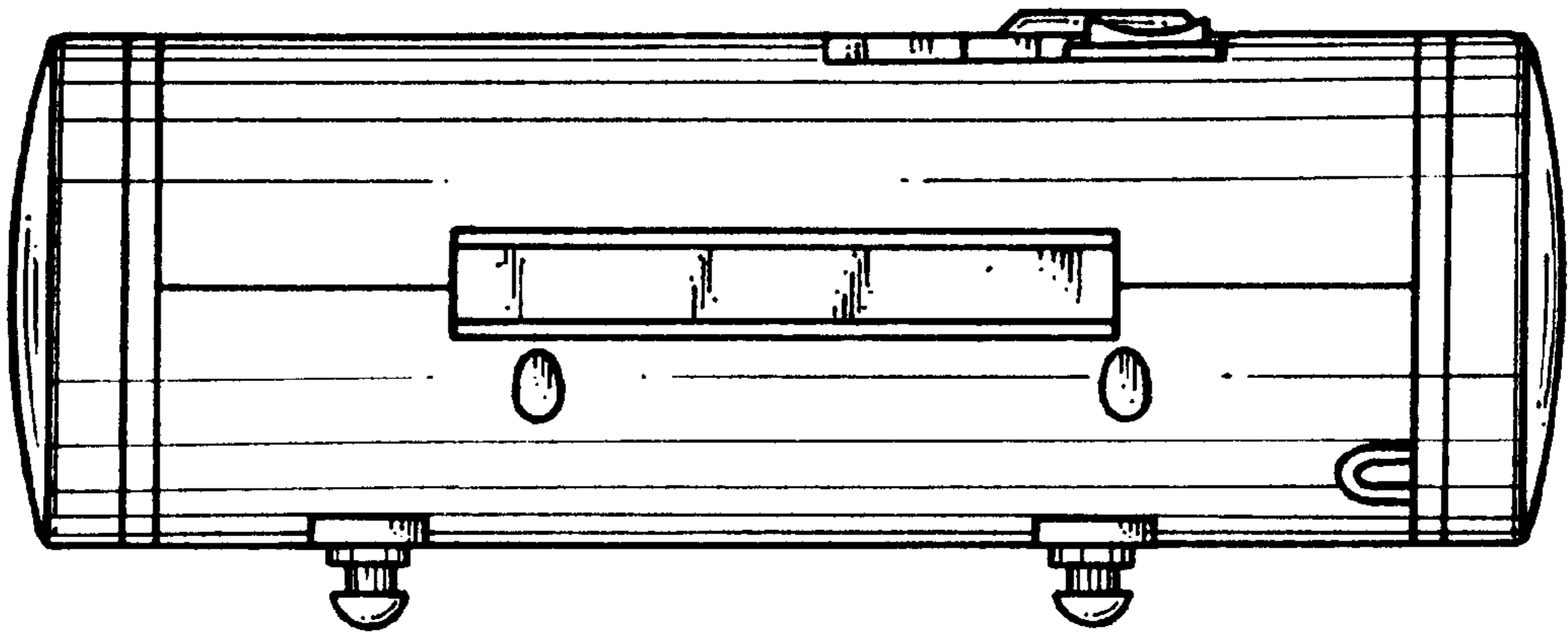


FIG. 3

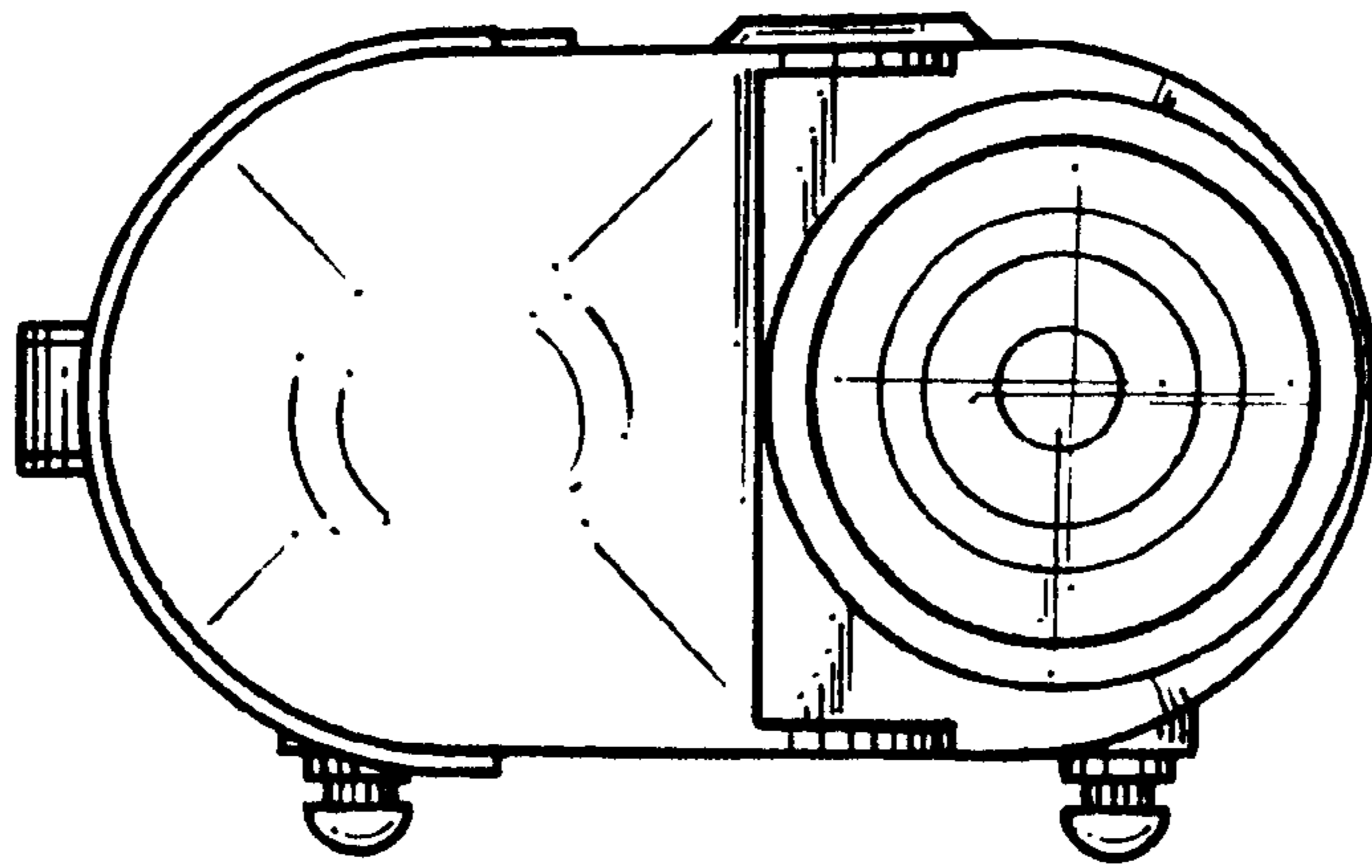


FIG.4

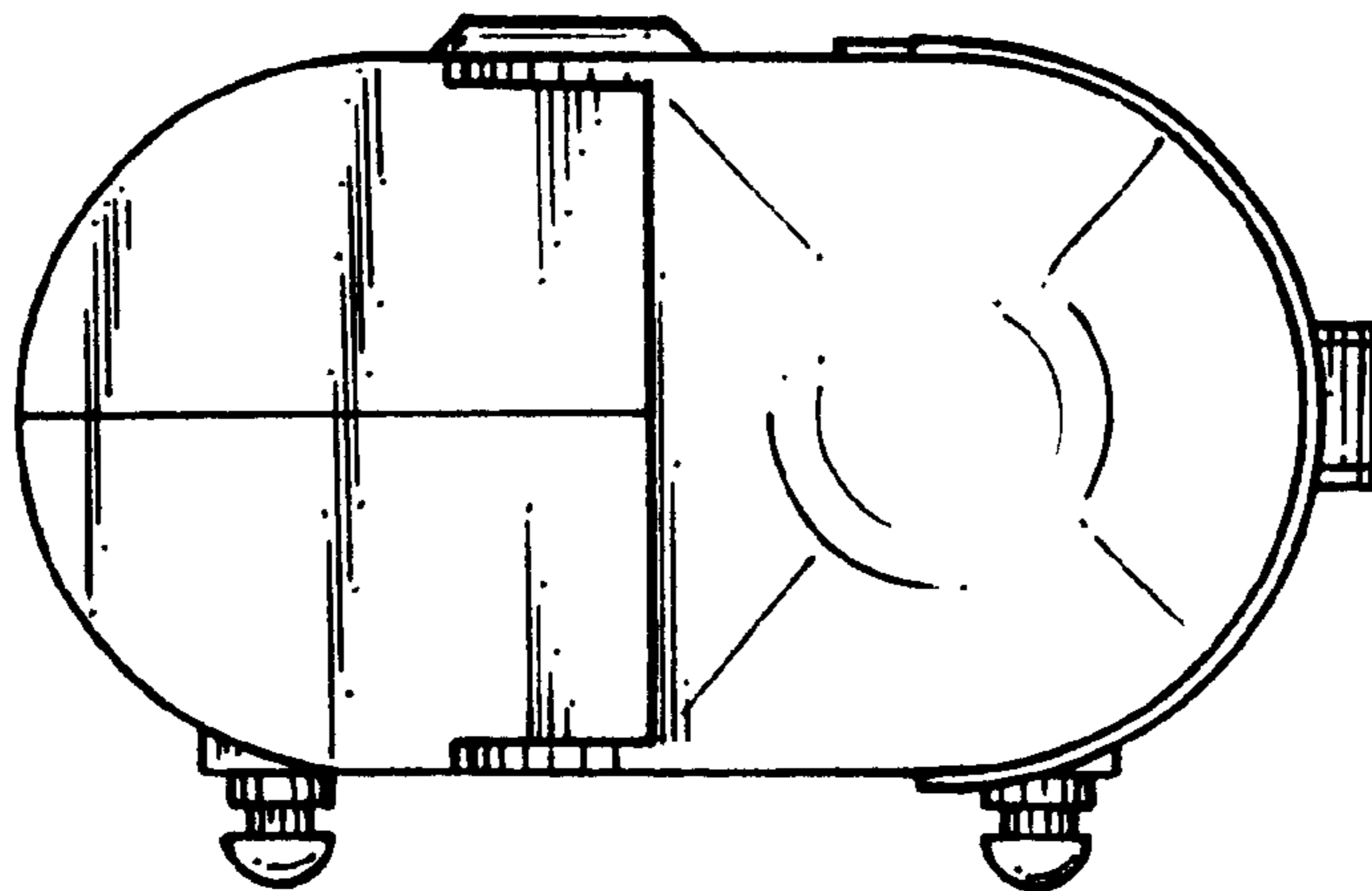


FIG.5

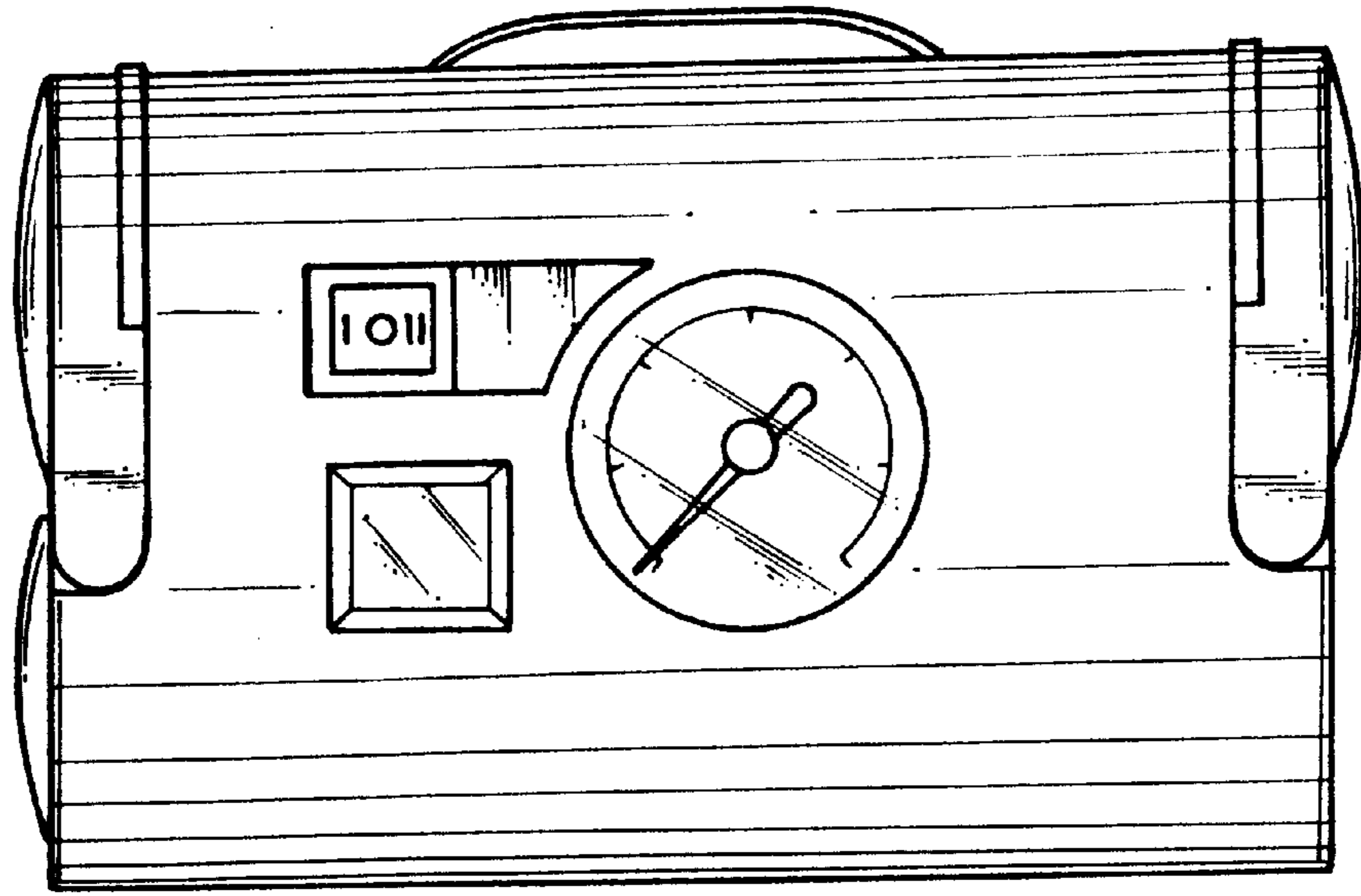


FIG.6

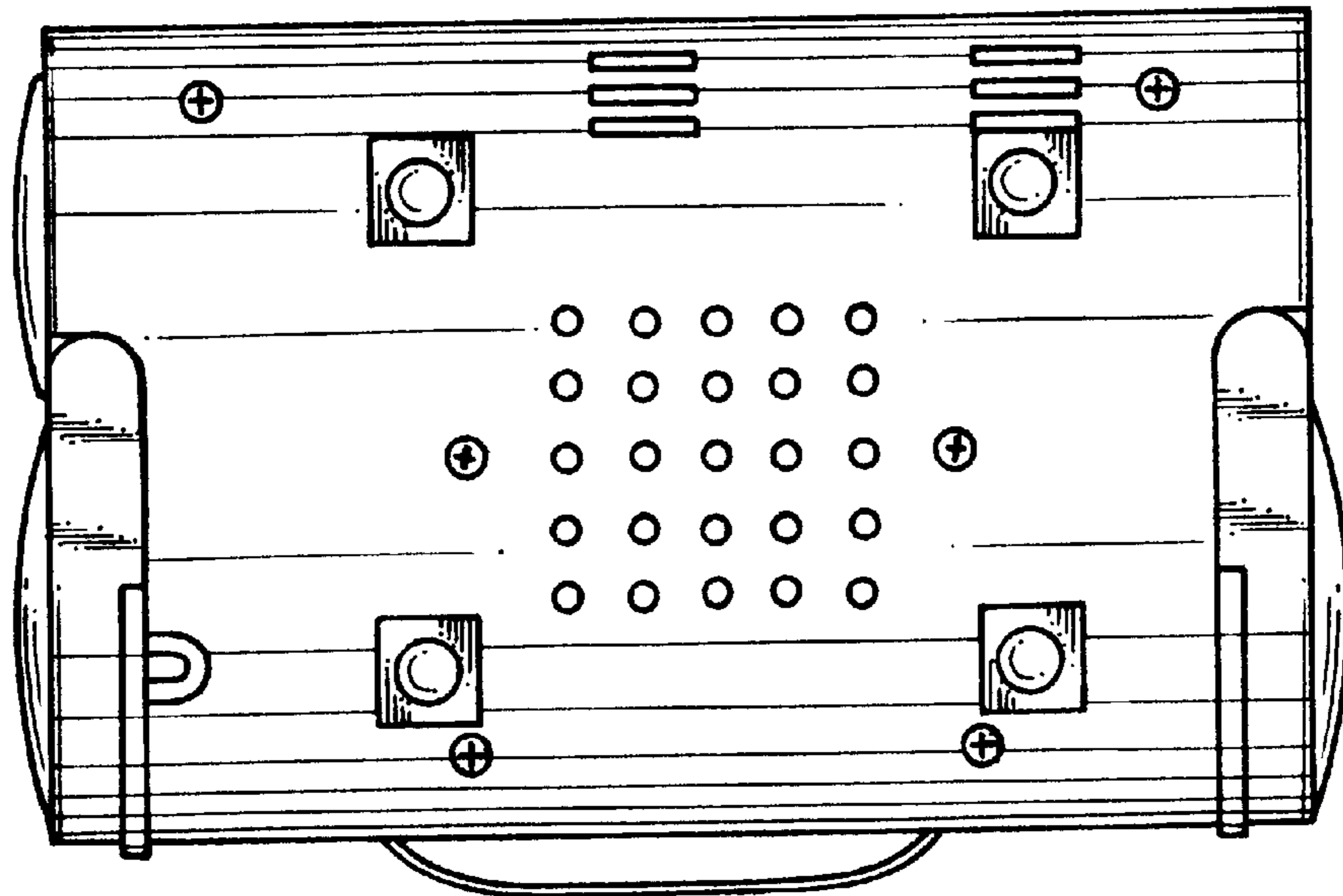


FIG.7