



US00D470509S

(12) **United States Design Patent**
Chen

(10) **Patent No.:** **US D470,509 S**

(45) **Date of Patent:** **** Feb. 18, 2003**

(54) **HAND-CARRIED AIR-COMPRESSOR FOR CAR**

(76) **Inventor:** **Chi-Ming Chen**, P.O. Box No.6-57,
Chung-Ho, Taipei 235 (TW)

(**) **Term:** **14 Years**

(21) **Appl. No.:** **29/149,684**

(22) **Filed:** **Oct. 16, 2001**

(51) **LOC (7) Cl.** **15-02**

(52) **U.S. Cl.** **D15/9**

(58) **Field of Search** D15/7-9; 717/415,
717/419, 234, 229, 321, 410-411, 265,
405

(56) **References Cited**

U.S. PATENT DOCUMENTS

D328,465 S * 8/1992 Schwarz et al. D15/9
D356,800 S * 3/1995 Chen D15/9

D373,774 S * 9/1996 Chen D15/9
D377,938 S * 2/1997 Rozek D15/9
D394,068 S * 5/1998 Pollrich et al. D15/9
D444,799 S * 7/2001 Thomas, Jr. et al. D15/9

* cited by examiner

Primary Examiner—Ralf Seifert

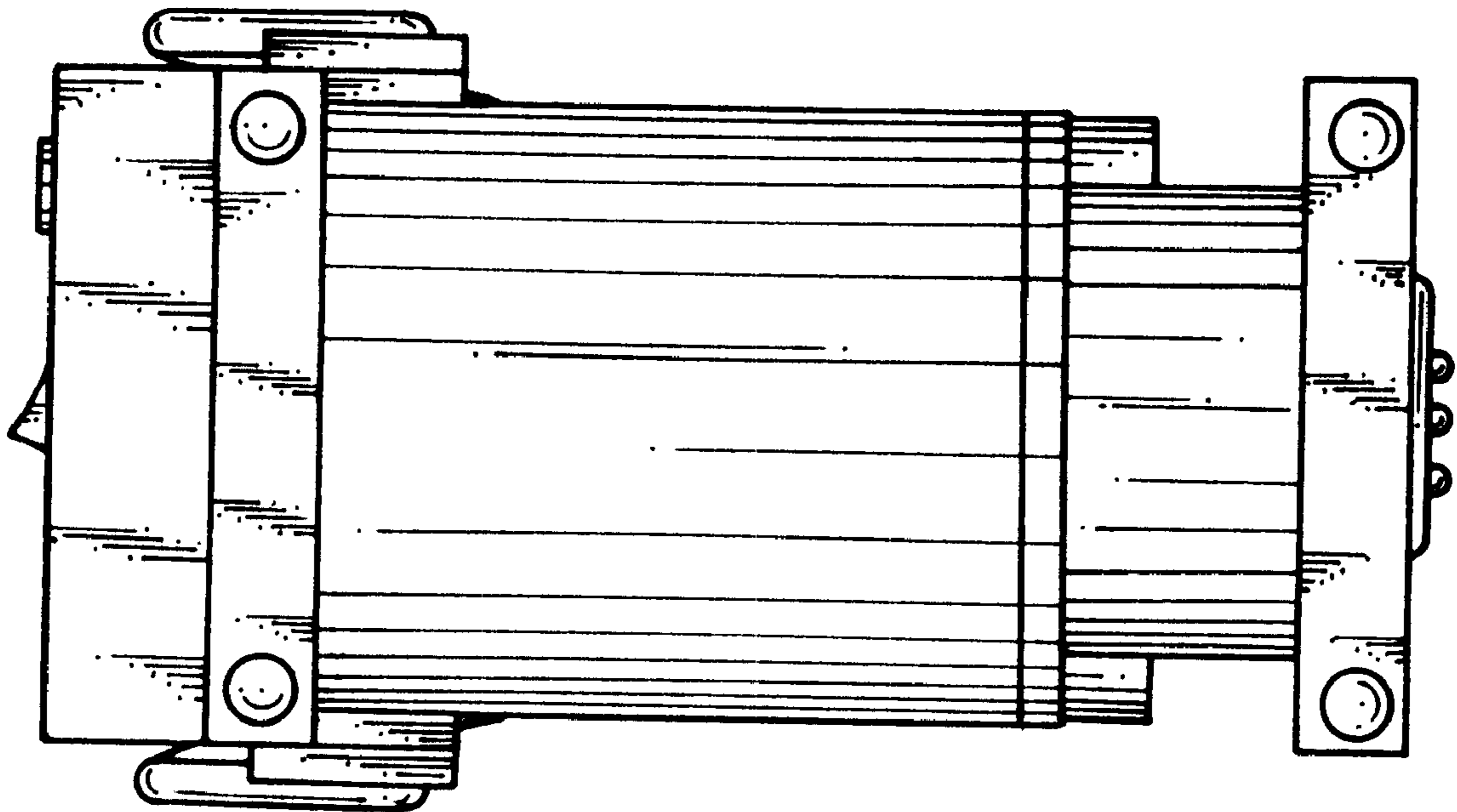
(57) **CLAIM**

The ornamental design for a hand-carried air-compressor for car, as shown and described.

DESCRIPTION

FIG. 1 is a perspective view thereof;
FIG. 2 is a front view thereof;
FIG. 3 is a back view thereof;
FIG. 4 is a right side view thereof;
FIG. 5 is a left side view thereof;
FIG. 6 is a top view thereof; and,
FIG. 7 is a bottom view thereof.

1 Claim, 4 Drawing Sheets



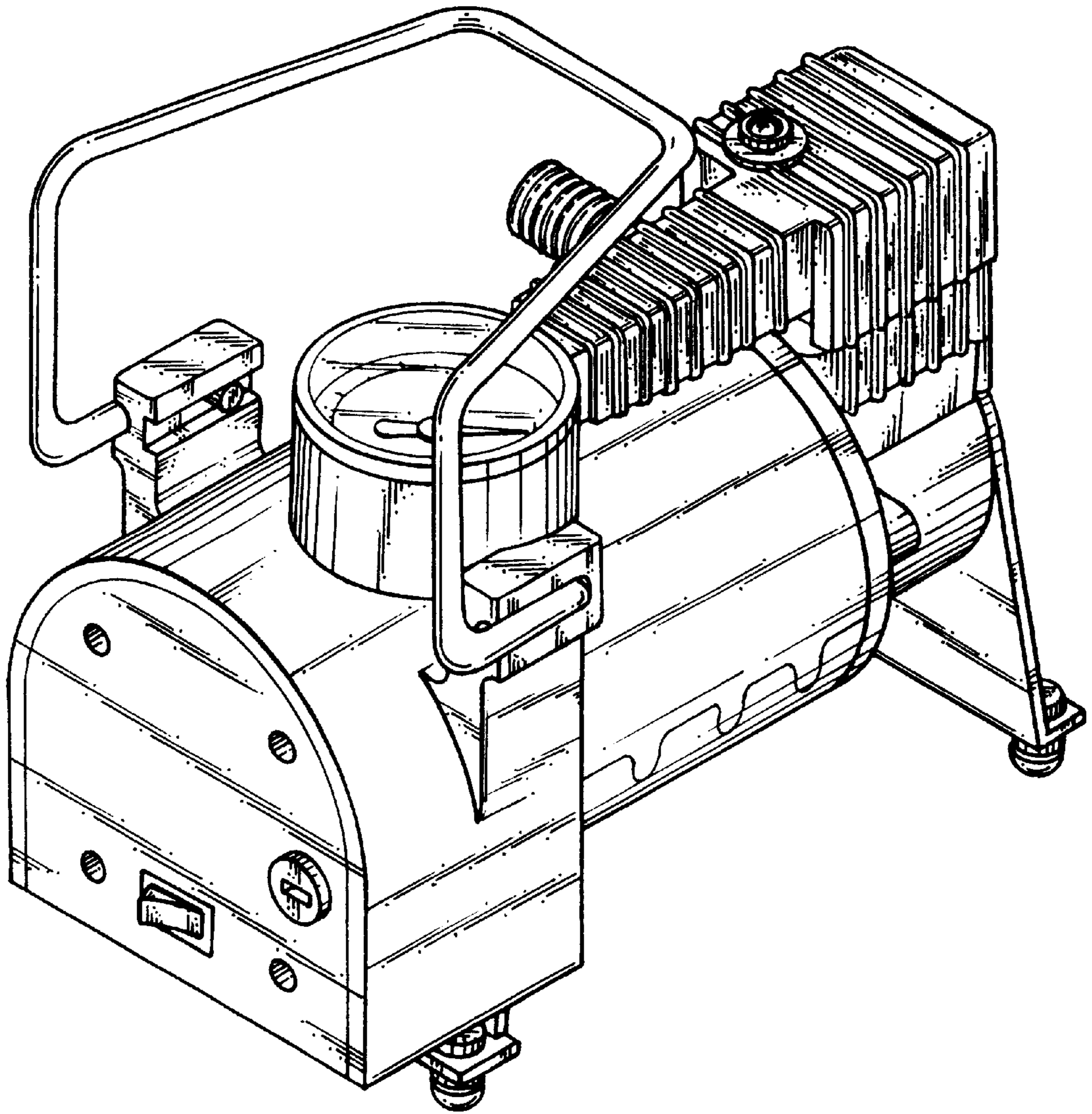


FIG.1

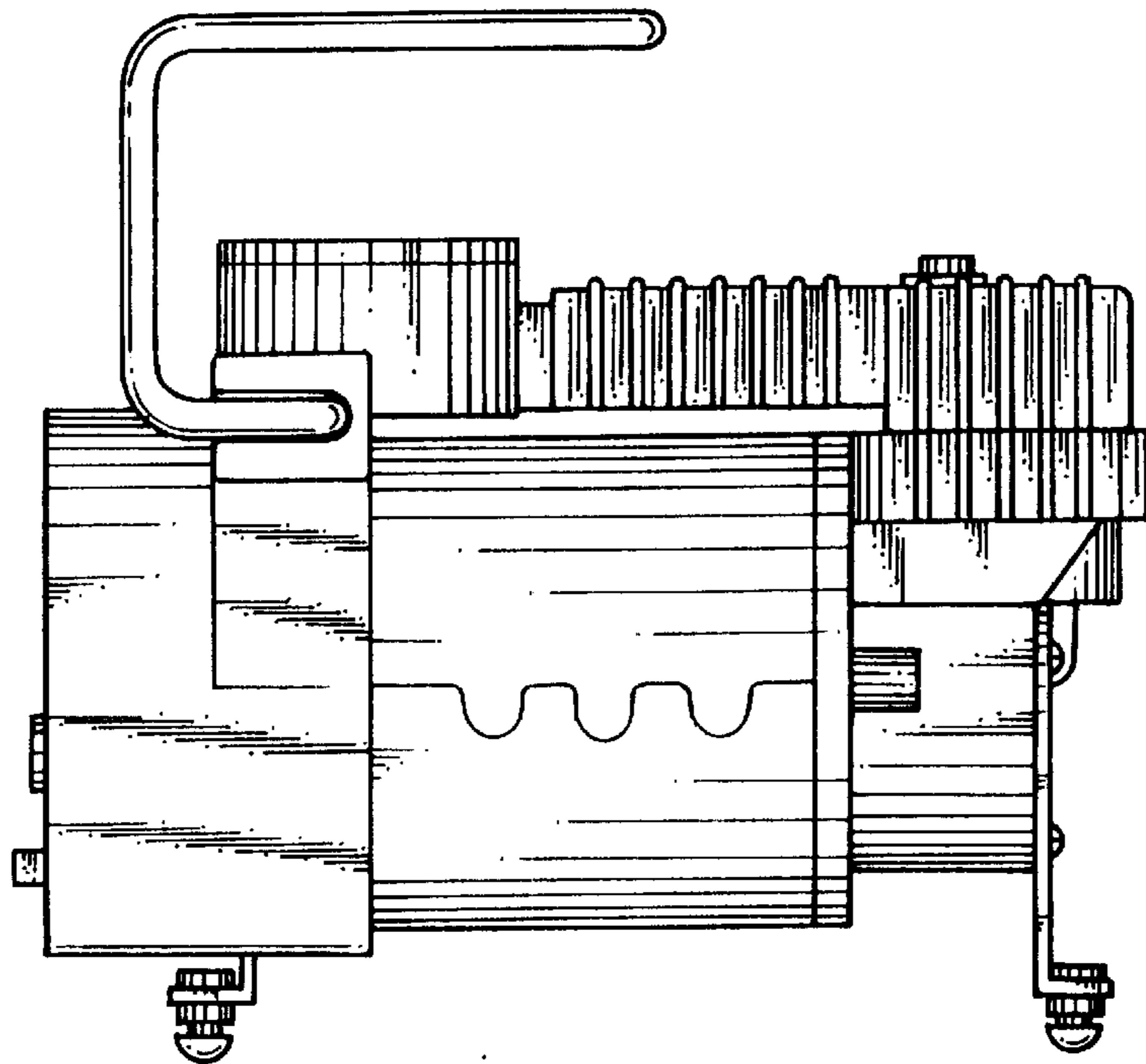


FIG.2

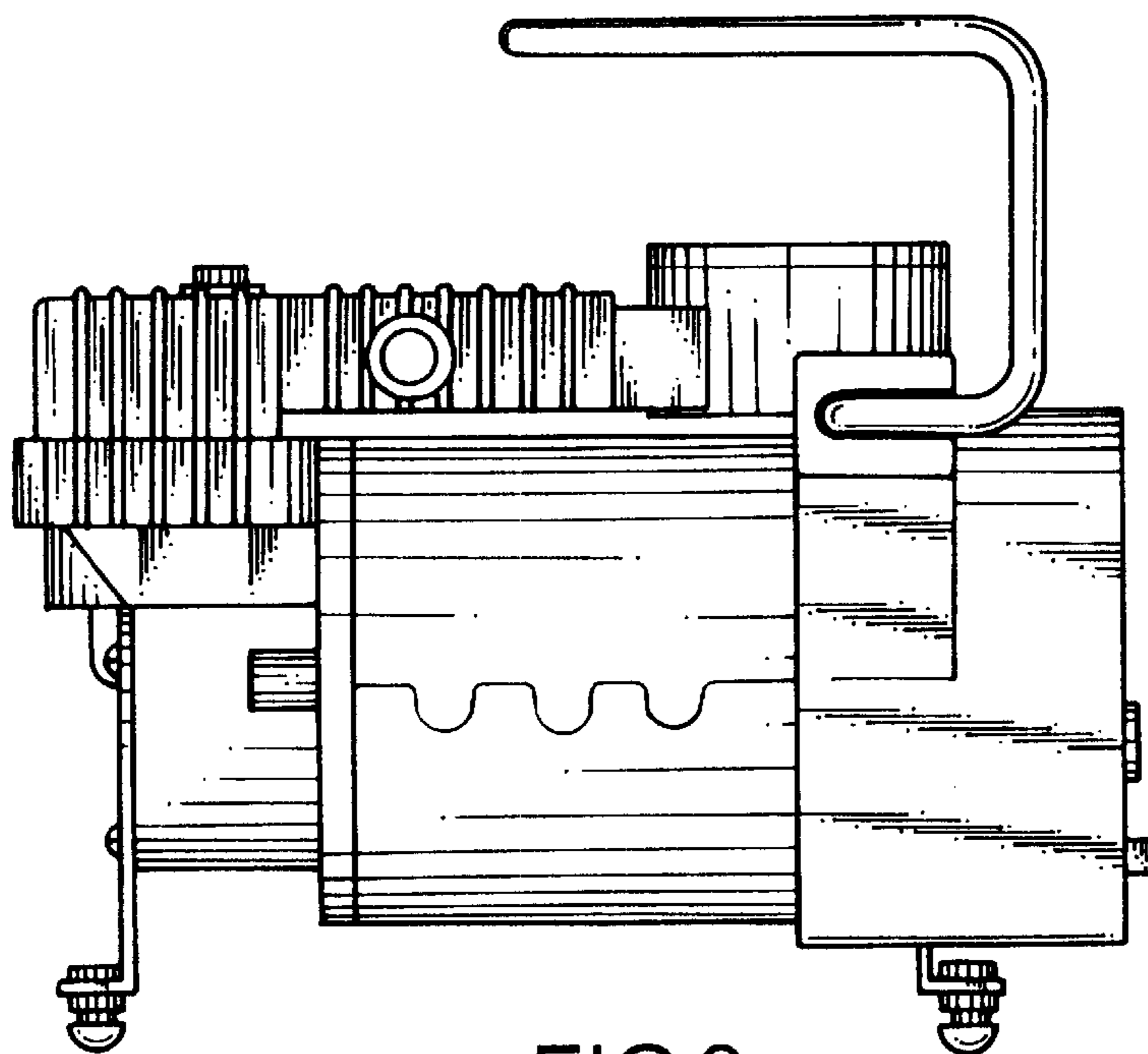


FIG.3

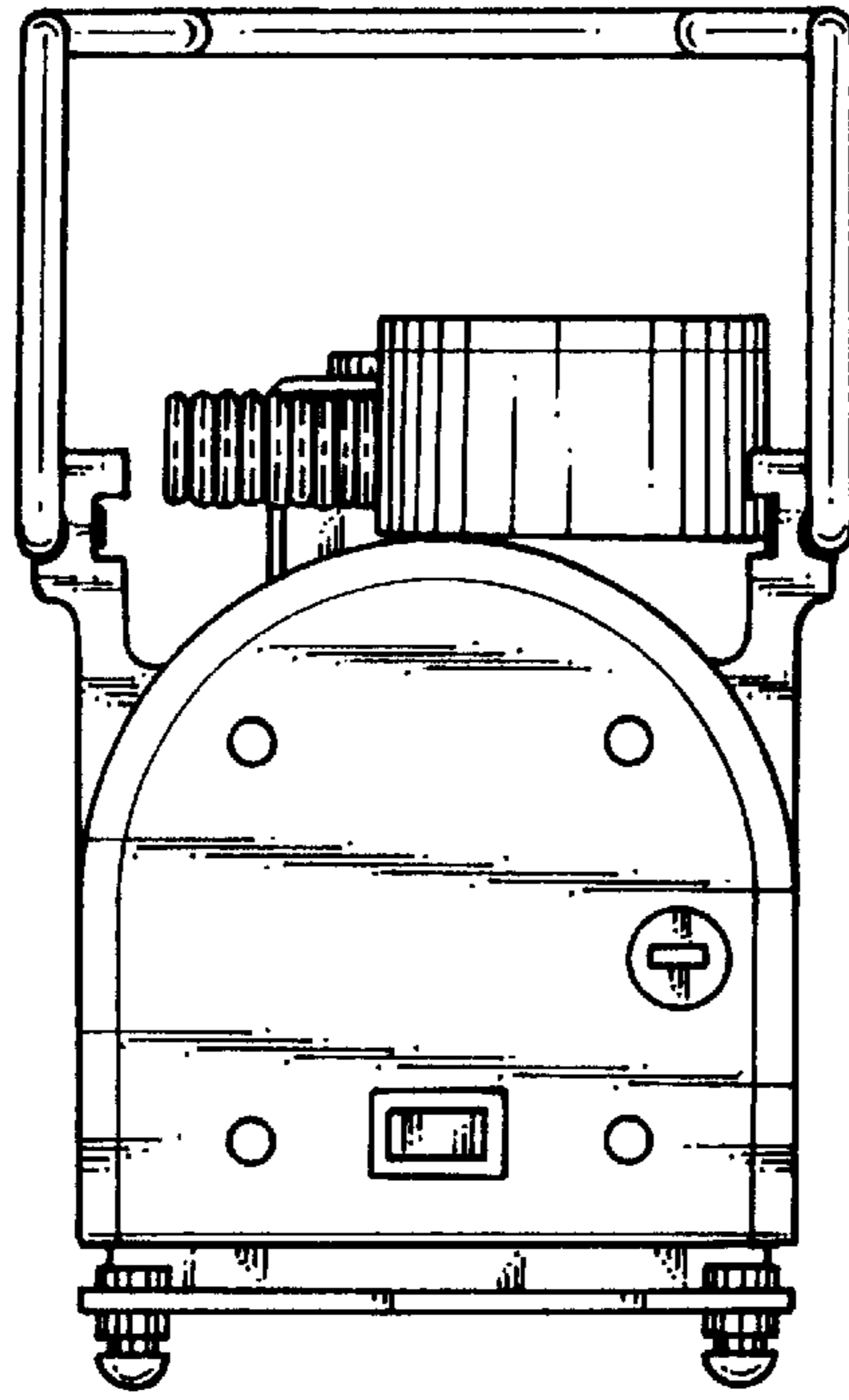


FIG. 4

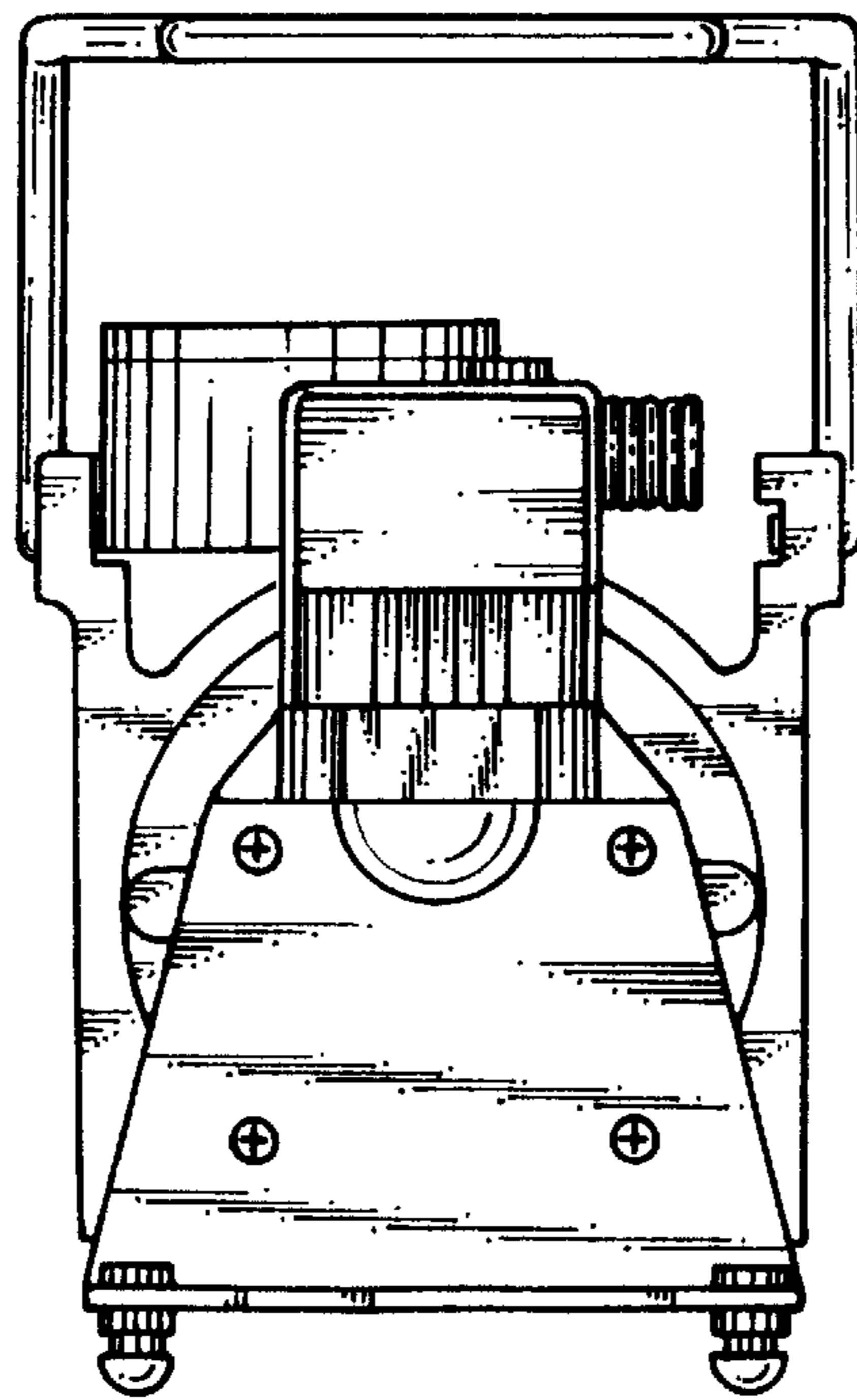


FIG. 5

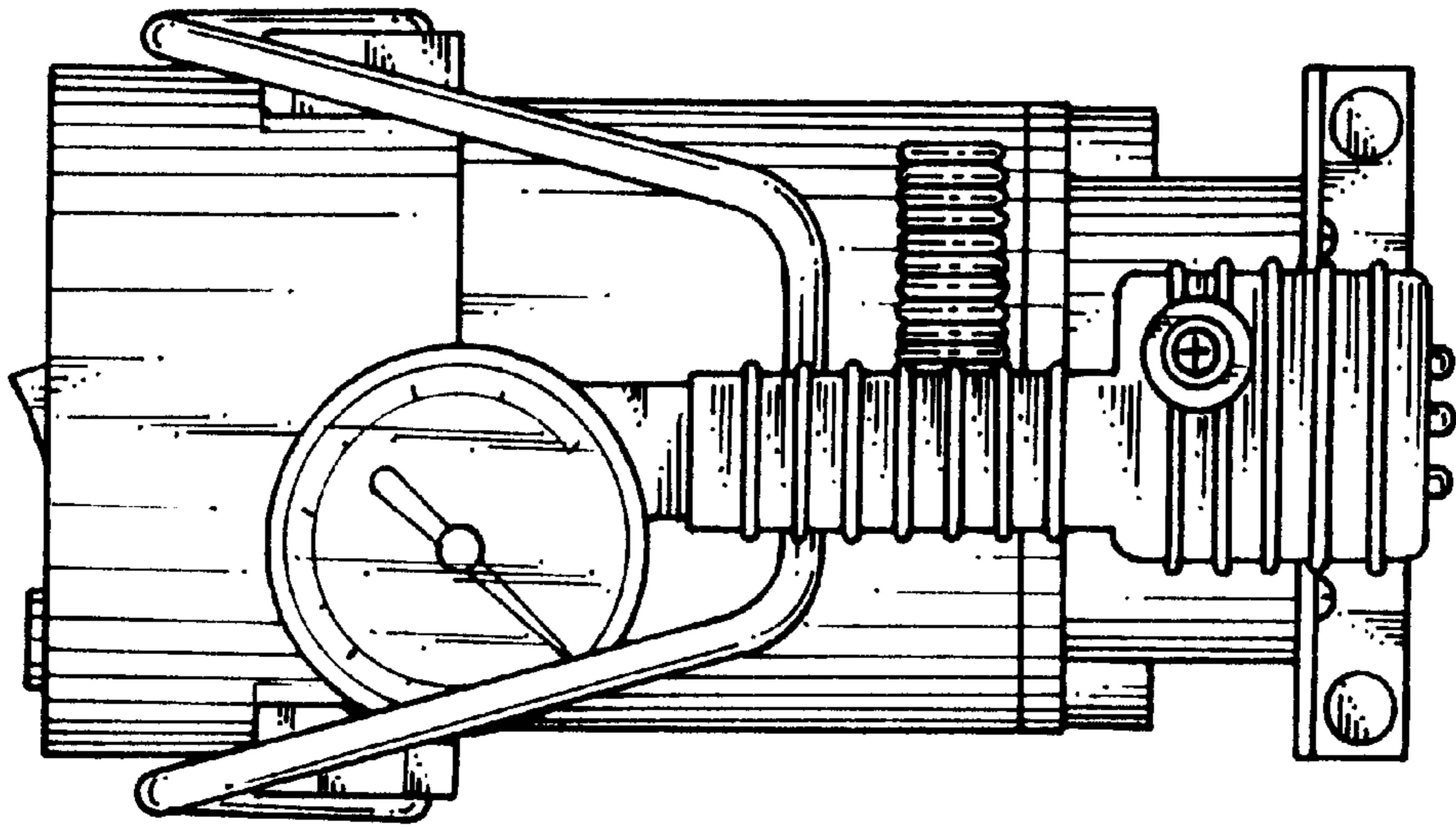


FIG. 6

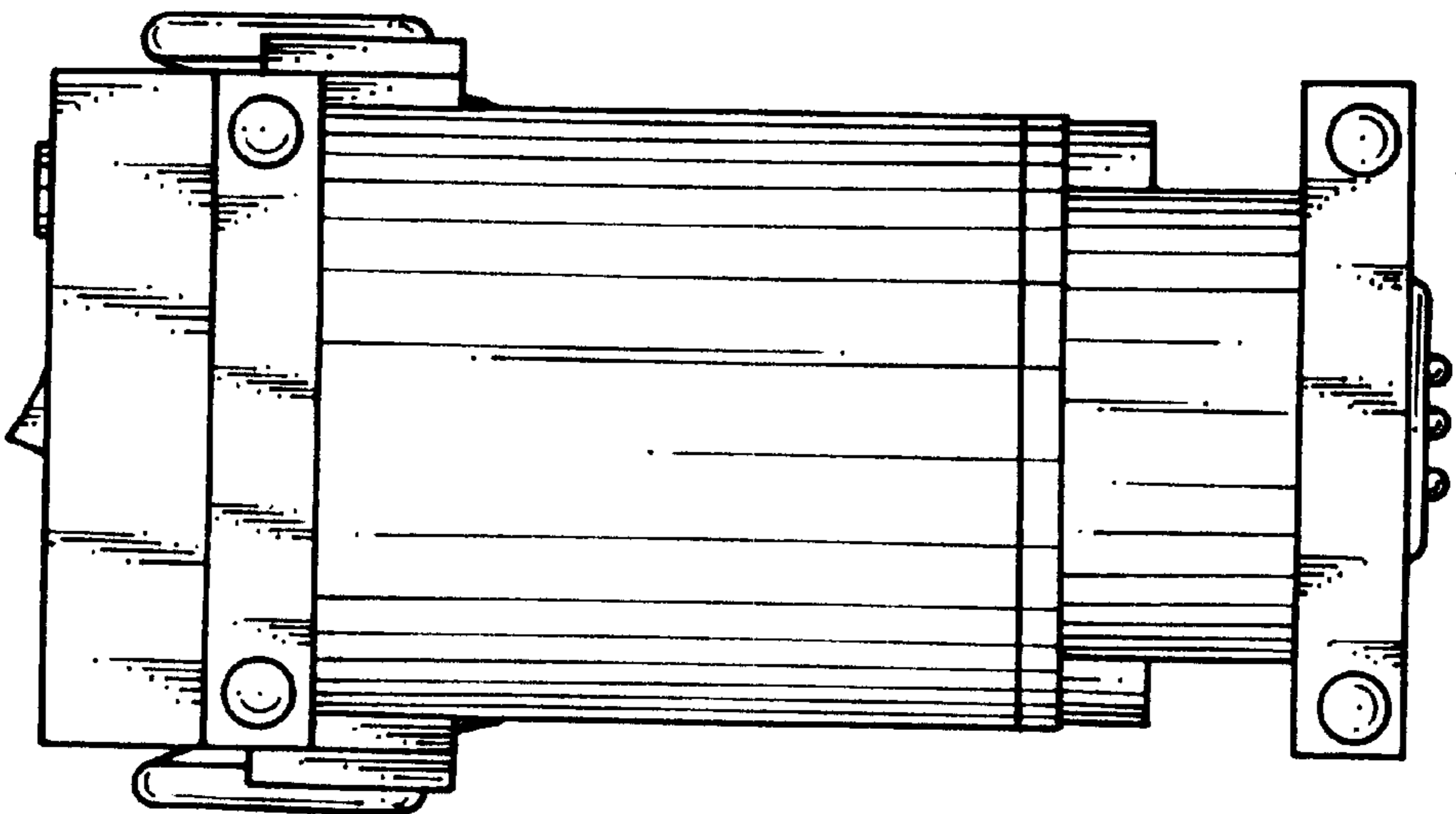


FIG. 7