



US00D470507S

(12) **United States Design Patent**
Maeda et al.

(10) **Patent No.:** **US D470,507 S**
(45) **Date of Patent:** **** Feb. 18, 2003**

- (54) **INTERNAL-COMBUSTION ENGINE COVER**
- (75) Inventors: **Joji Maeda, Wako (JP); Keita Ito, Wako (JP); Masahiro Anzai, Wako (JP)**
- (73) Assignee: **Honda Giken Kogyo Kabushiki Kaisha, Tokyo (JP)**
- (**) Term: **14 Years**

JP	912648	11/1994
JP	985177	7/1997
JP	1016062	7/1998
JP	1017115	8/1998
JP	1026637	11/1998
JP	1029168	1/1999
JP	1047808	8/1999
JP	1066432	4/2000

* cited by examiner

- (21) Appl. No.: **29/153,222**
- (22) Filed: **Jan. 8, 2002**

Primary Examiner—Melody N. Brown
(74) *Attorney, Agent, or Firm*—Armstrong, Westerman & Hattori, LLP

(30) **Foreign Application Priority Data**

Jul. 31, 2001 (JP) 2001-022261

- (51) **LOC (7) Cl.** **15-01**
- (52) **U.S. Cl.** **D15/1**
- (58) **Field of Search** D15/1-5; 123/50 A, 123/41.7, 56, 198 E, 306, 308, 661, 667

(57) **CLAIM**

The ornamental design for an internal-combustion engine cover, as shown and described.

(56) **References Cited**

U.S. PATENT DOCUMENTS

D406,147 S	2/1999	Watanabe	D15/1
D416,265 S	11/1999	Kato et al.	D15/1
D421,024 S	2/2000	Katoh	D15/1
D443,280 S	6/2001	Shimizu	D15/1
D444,478 S	7/2001	Shimizu	D15/1
D453,522 S	2/2002	Maeda et al.	D15/1
D457,891 S	* 5/2002	Matre	D15/1

FOREIGN PATENT DOCUMENTS

JP	3-39604	9/1993
JP	3-39606	9/1993

DESCRIPTION

FIG. 1 is a front elevation view of an internal-combustion engine cover showing our new design; FIG. 2 is a rear elevation view thereof; FIG. 3 is a left side elevation view of thereof; FIG. 4 is a right side elevation view of thereof; FIG. 5 is a top plan view of thereof; FIG. 6 is a bottom plan view thereof; FIG. 7 is a front and right side perspective view thereof; FIG. 8 is a front and left side perspective view thereof; FIG. 9 is a rear and left side perspective view thereof; and, FIG. 10 is a rear and right side perspective thereof. The broken lines are for illustrative purposes only and form no part of the claimed design.

1 Claim, 10 Drawing Sheets

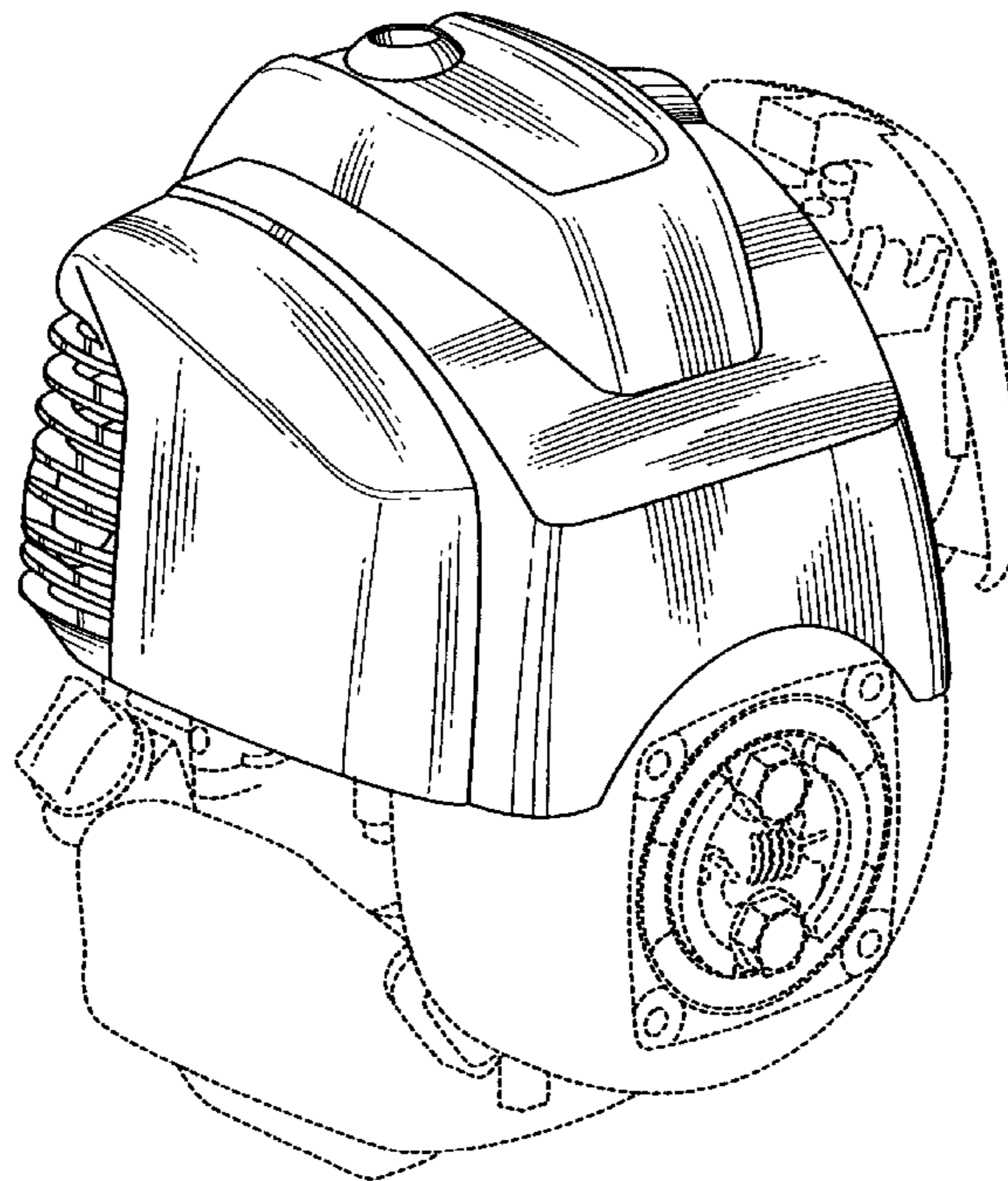


FIG. 1

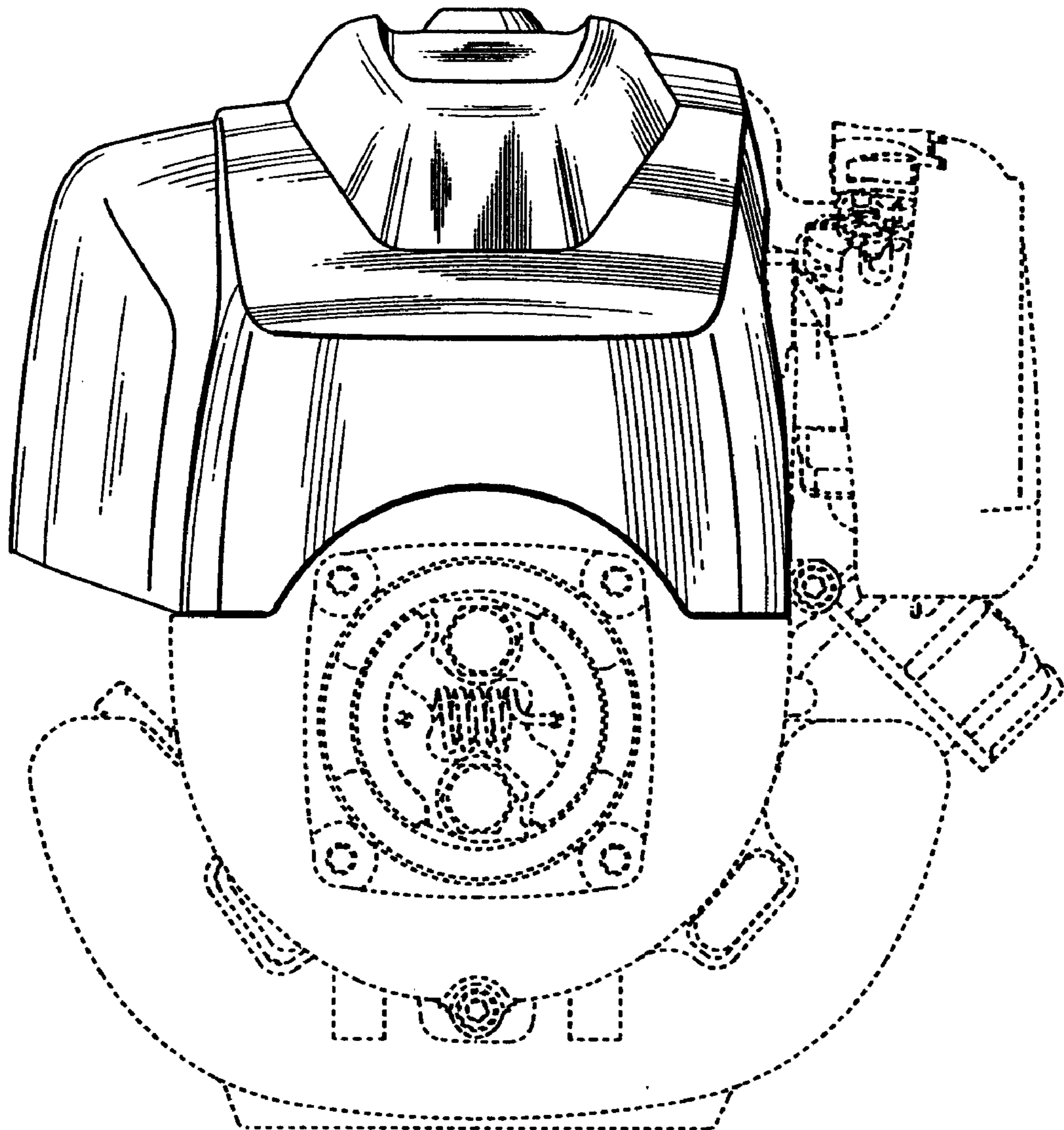


FIG. 2

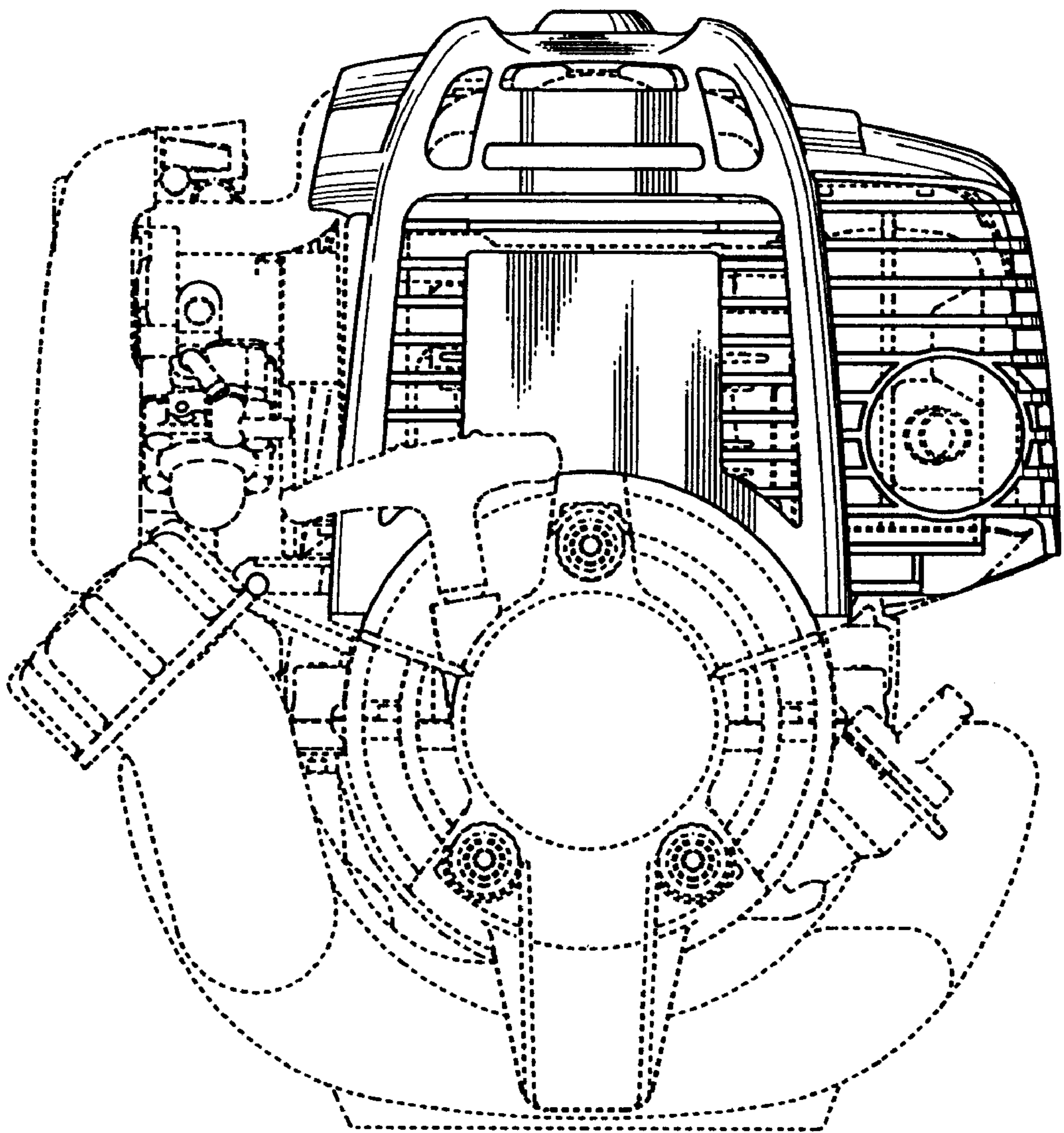


FIG. 3

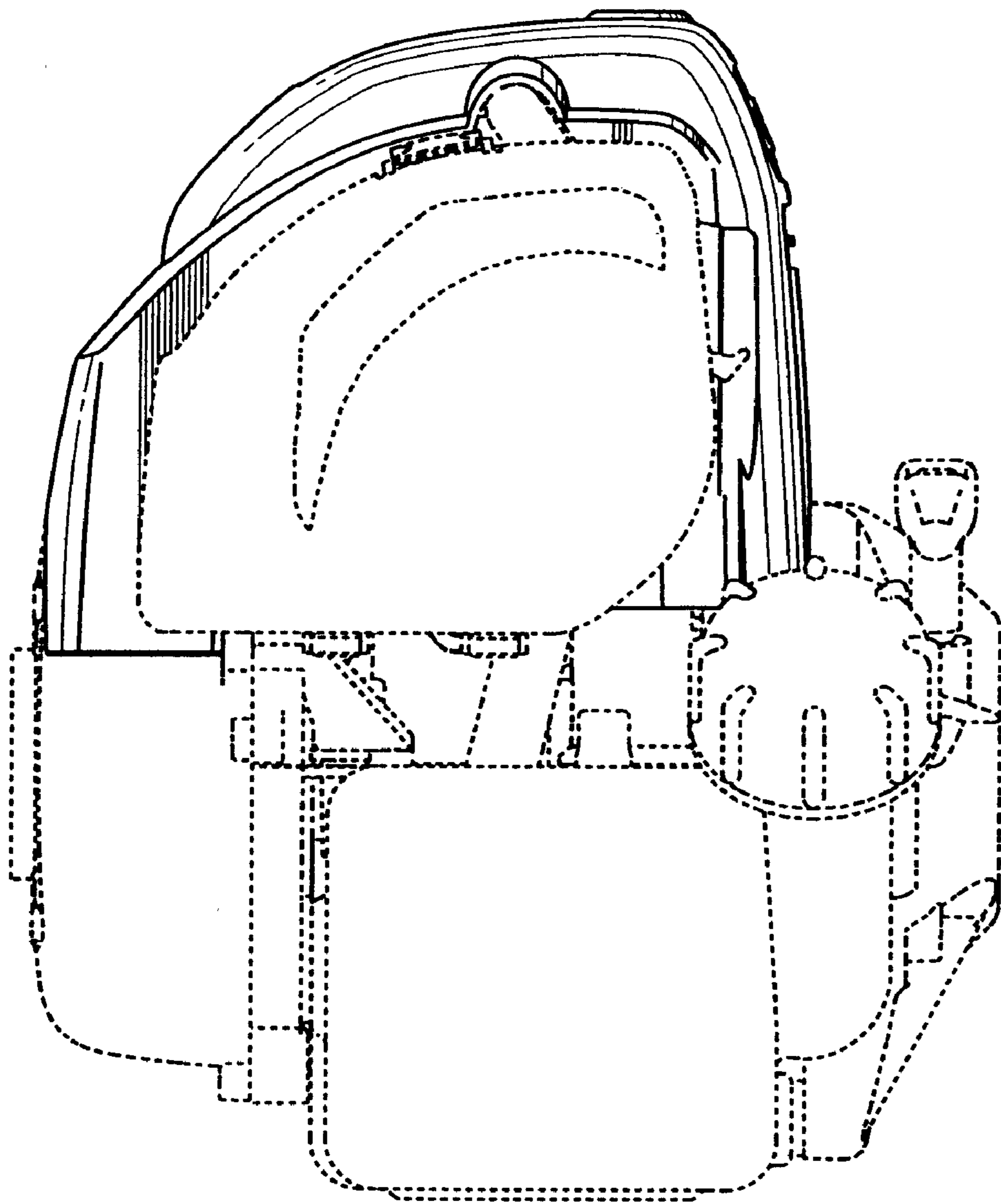


FIG. 4

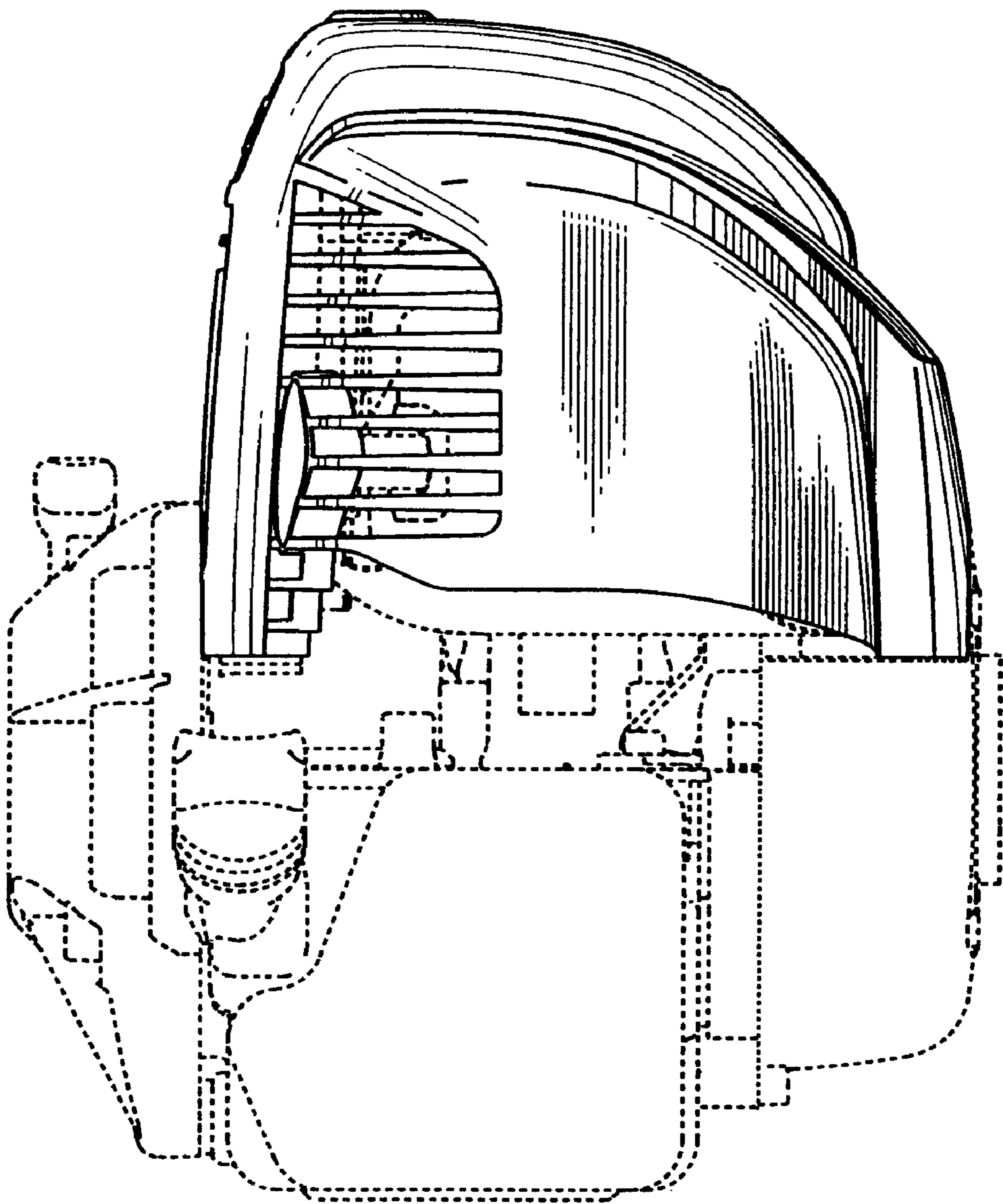


FIG. 5

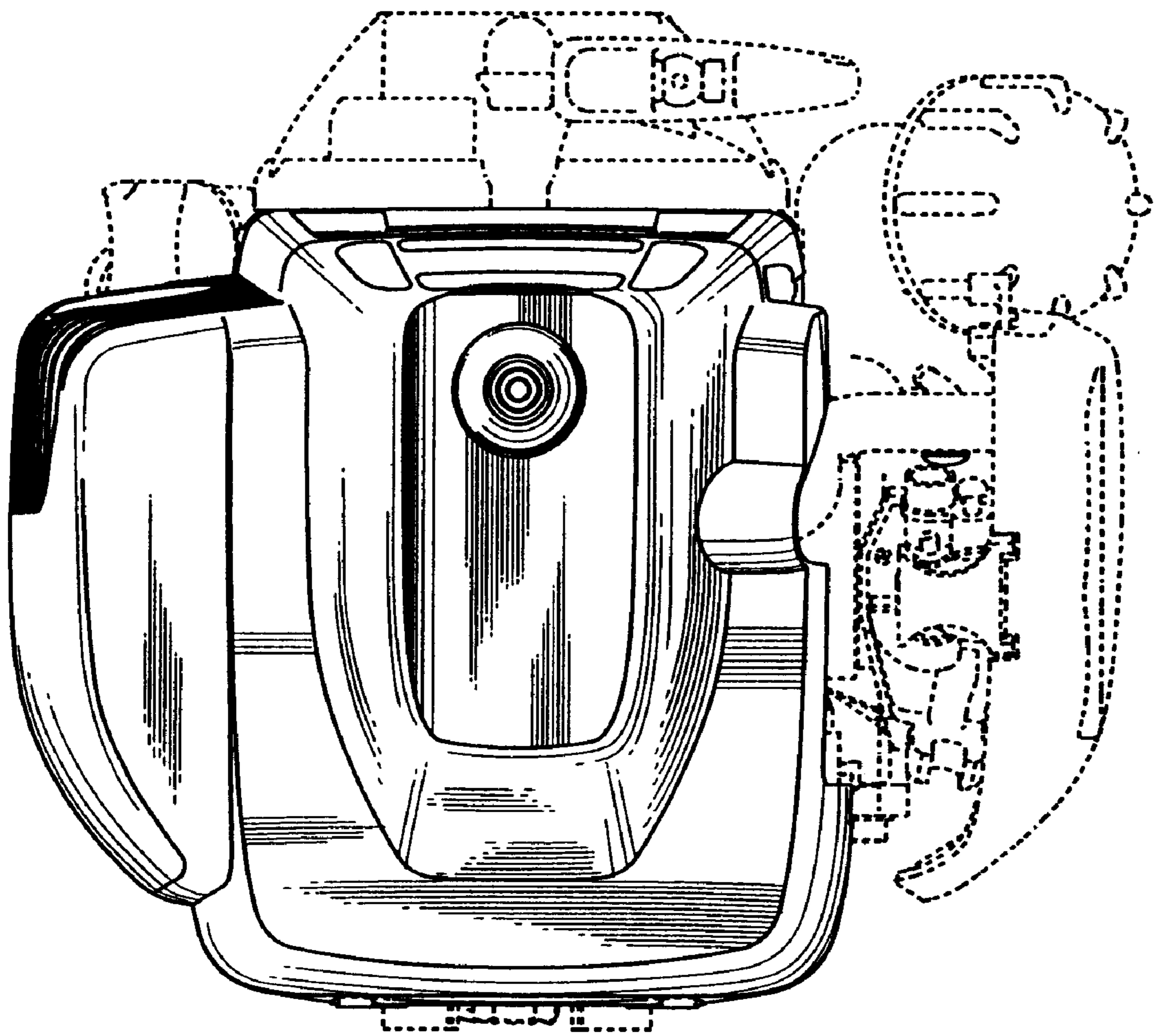


FIG. 6

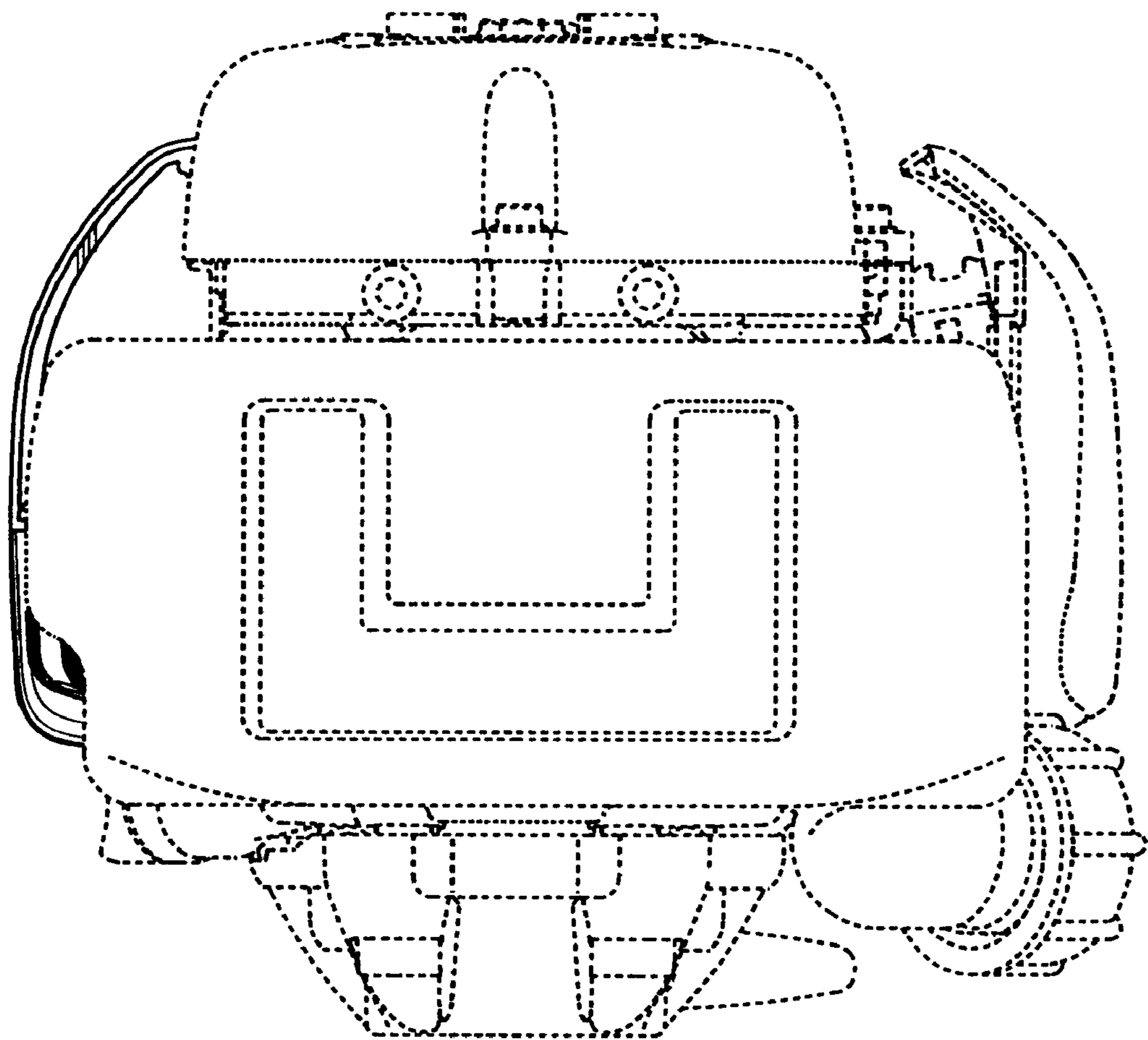


FIG. 7

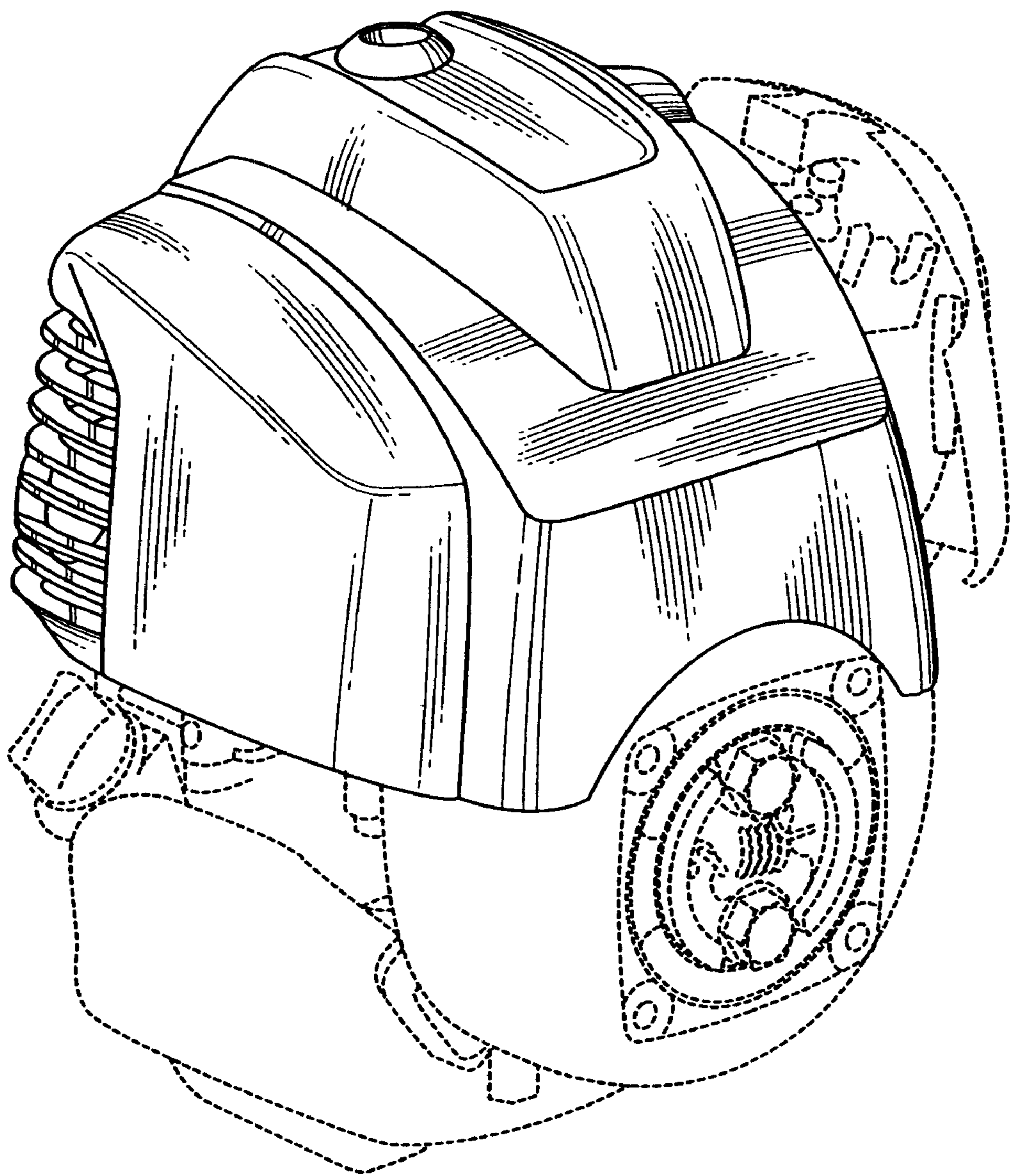


FIG. 8

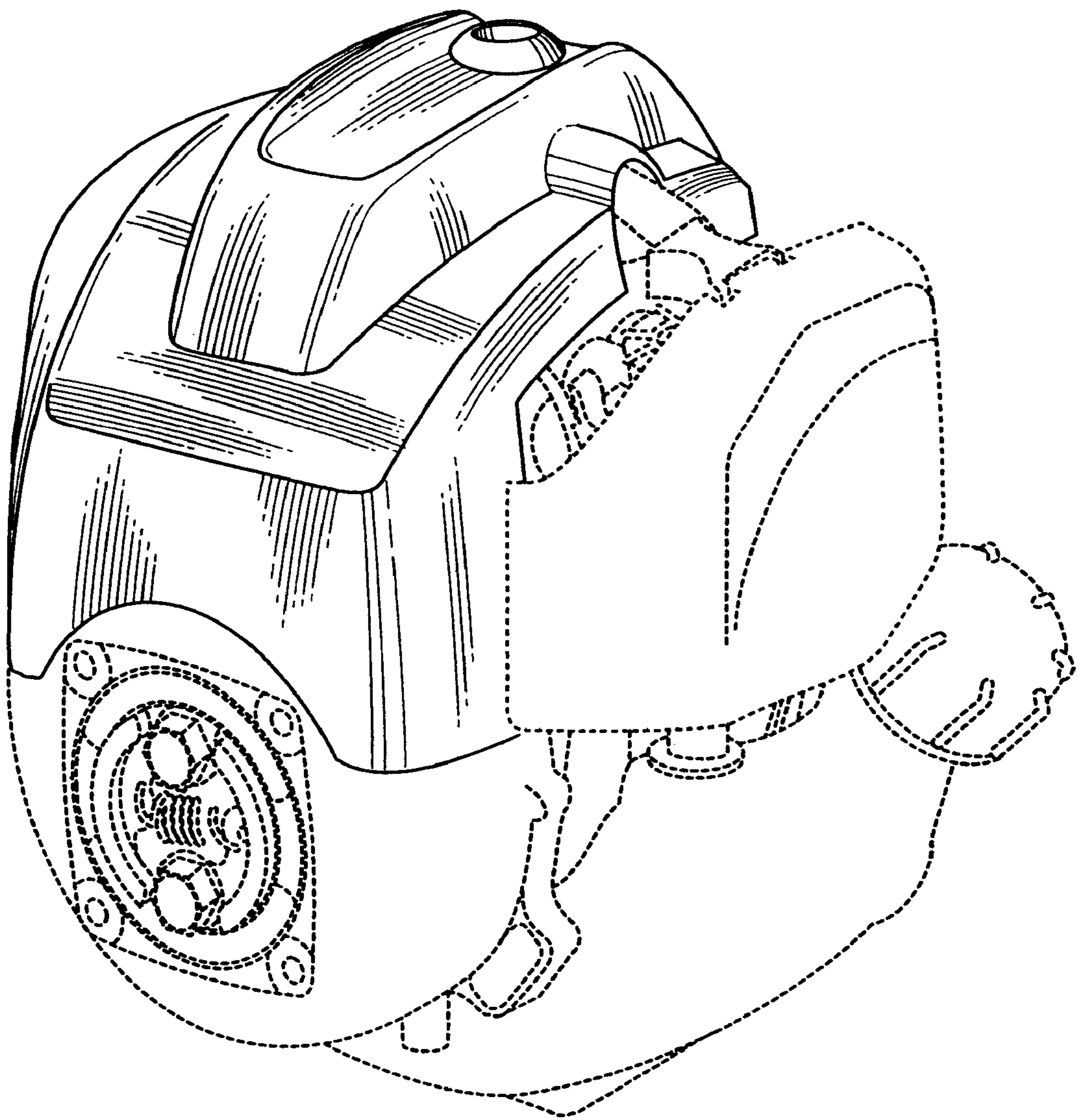


FIG. 9

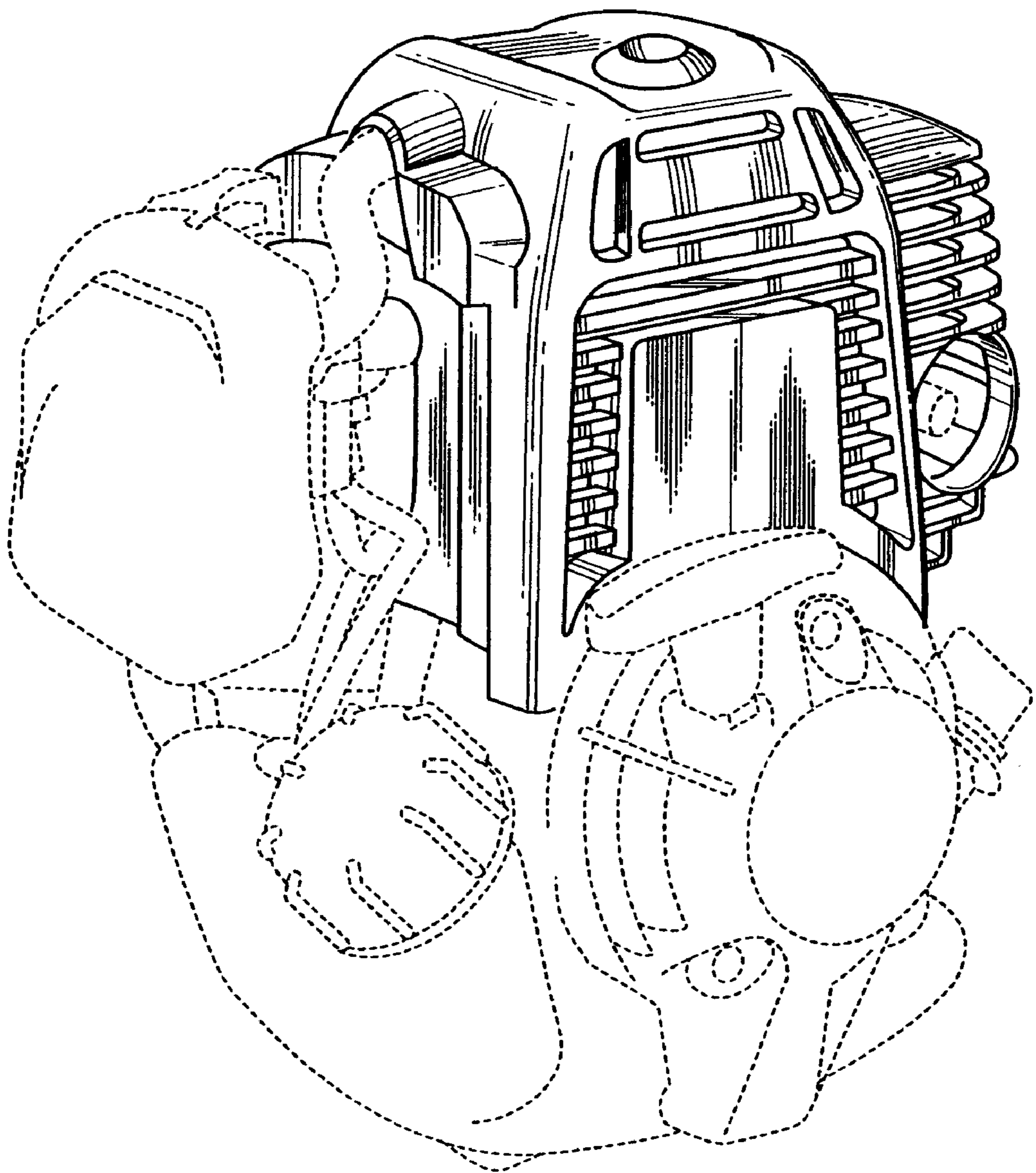


FIG. 10

