



US00D470506S

(12) **United States Design Patent**
Sadatsuki

(10) **Patent No.:** **US D470,506 S**

(45) **Date of Patent:** **** Feb. 18, 2003**

(54) **RECORDING PLAYER**

(75) Inventor: **Koichi Sadatsuki**, Tokyo (JP)

(73) Assignee: **Sony Corporation**, Tokyo (JP)

(**) Term: **14 Years**

(21) Appl. No.: **29/150,910**

(22) Filed: **Dec. 3, 2001**

(51) **LOC (7) Cl.** **14-03**

(52) **U.S. Cl.** **D14/496**

(58) **Field of Search** D14/135-136,
D14/156-157, 167-168, 188, 193-198,
257-258, 496; 369/75.1, 75.2, 77.1, 77.2;
455/344, 347, 350-351

(56) **References Cited**

U.S. PATENT DOCUMENTS

D306,589 S	*	3/1990	Murayama	D14/165
D377,491 S	*	1/1997	Chou	D14/167
D399,202 S		10/1998	Kanatani		
D400,879 S	*	11/1998	Lo	D14/167
D410,236 S		5/1999	Kanatani		

D428,870 S		8/2000	Hayashi et al.		
D436,941 S		1/2001	Kataoka		
D442,934 S	*	5/2001	Volanski	D14/156
D450,713 S	*	11/2001	Masamitsu et al.	D14/160

* cited by examiner

Primary Examiner—Nanda Bondade

(74) *Attorney, Agent, or Firm*—Rader, Fishman & Grauer PLLC

(57) **CLAIM**

The ornamental design for a recording player, as shown and described.

DESCRIPTION

FIG. 1 is a perspective view of a recording player showing my new design;
FIG. 2 is a front elevational view thereof;
FIG. 3 is a rear elevational view thereof;
FIG. 4 is a left side elevational view thereof;
FIG. 5 is a right side elevational view thereof;
FIG. 6 is a top plan view thereof; and,
FIG. 7 is a bottom plan view thereof.

1 Claim, 4 Drawing Sheets





Fig. 1

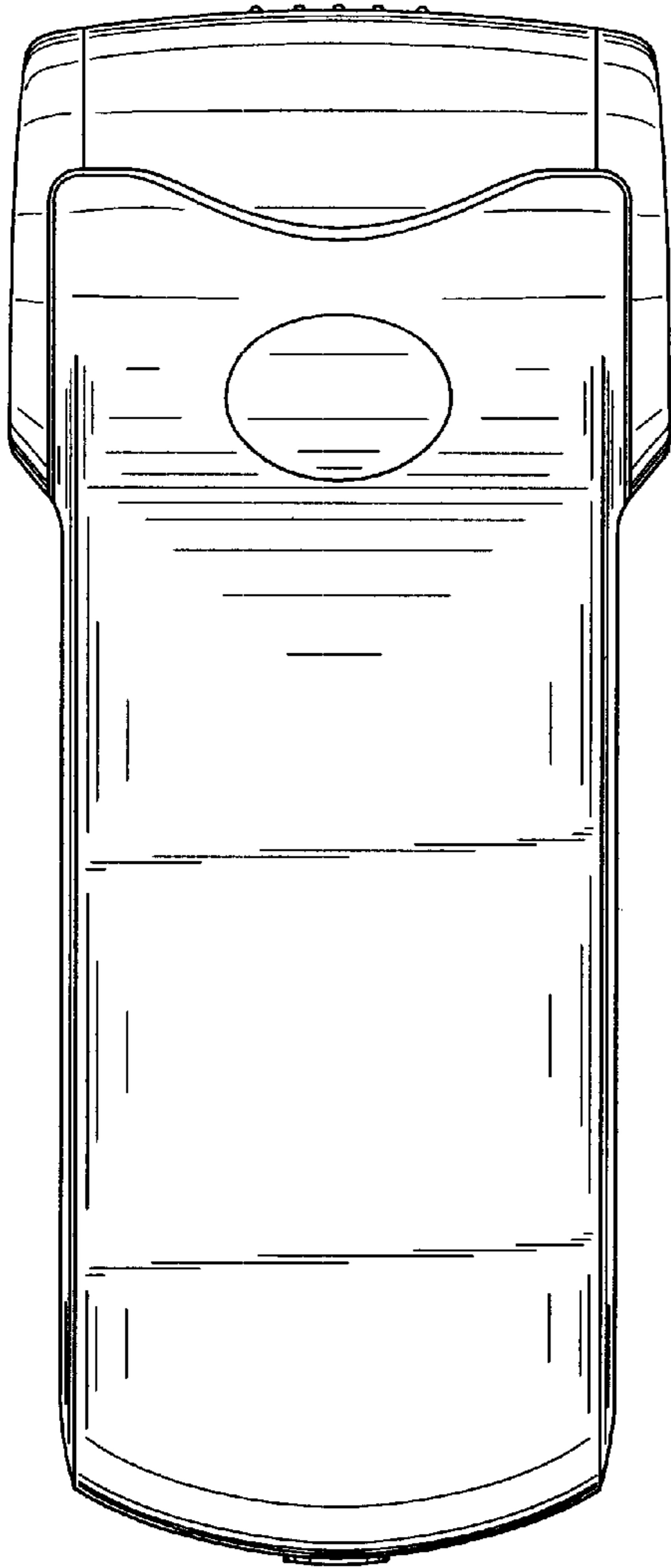


Fig. 2

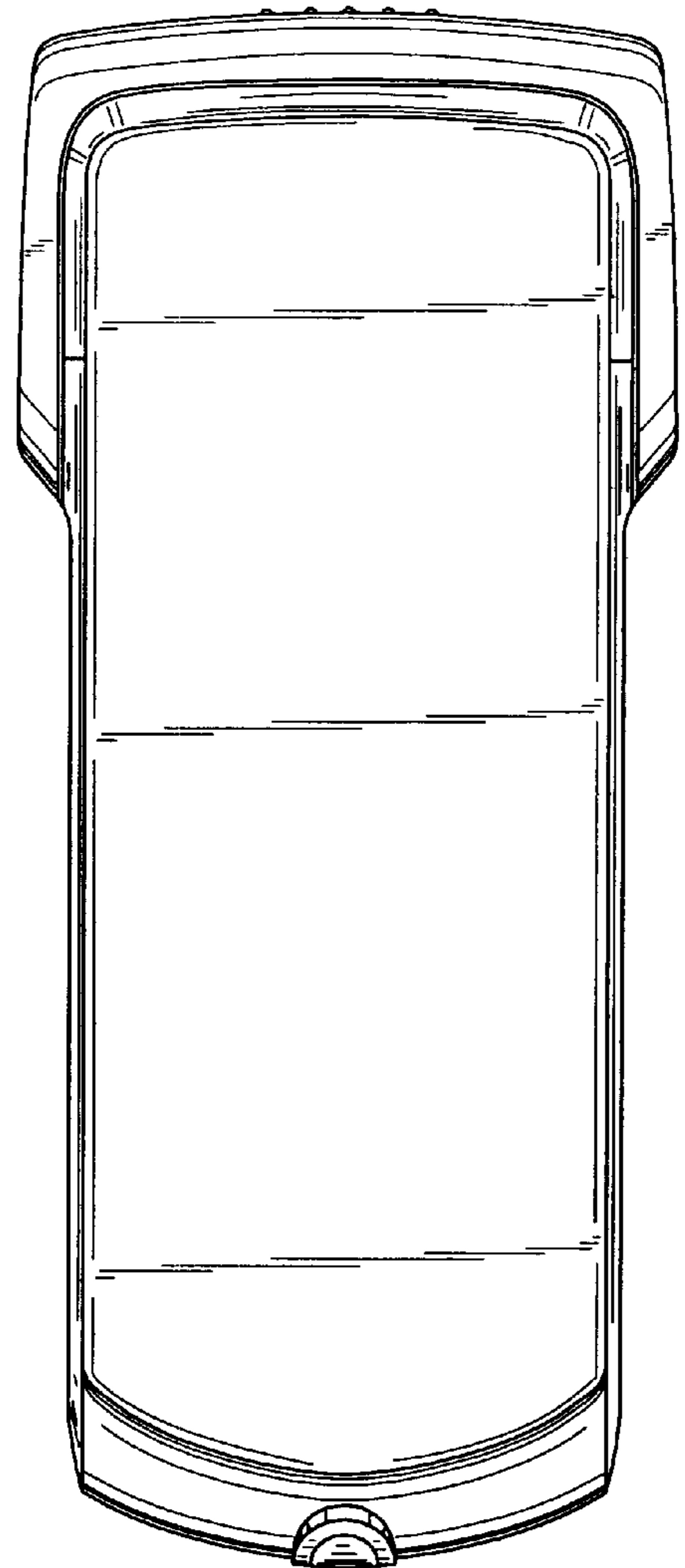


Fig. 3

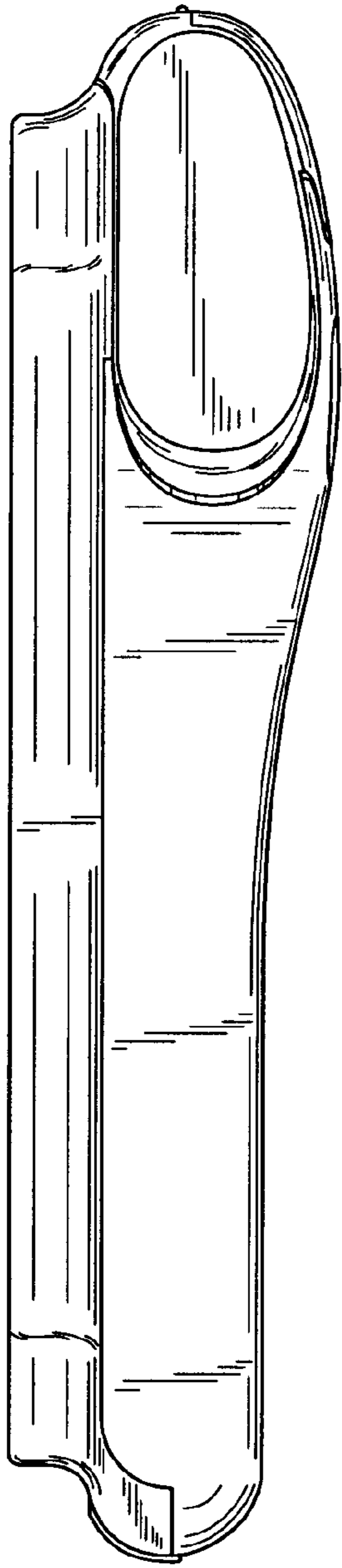


Fig. 4

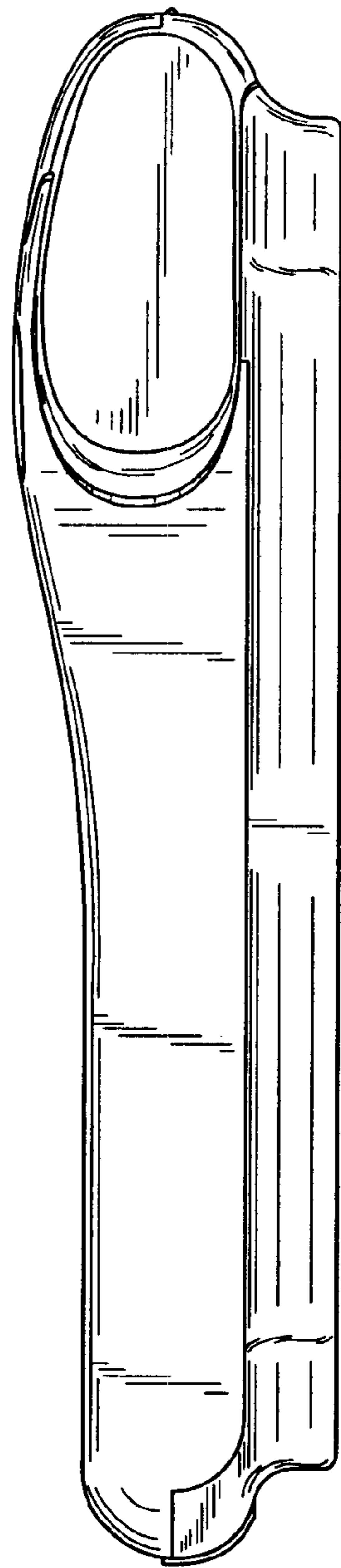


Fig. 5

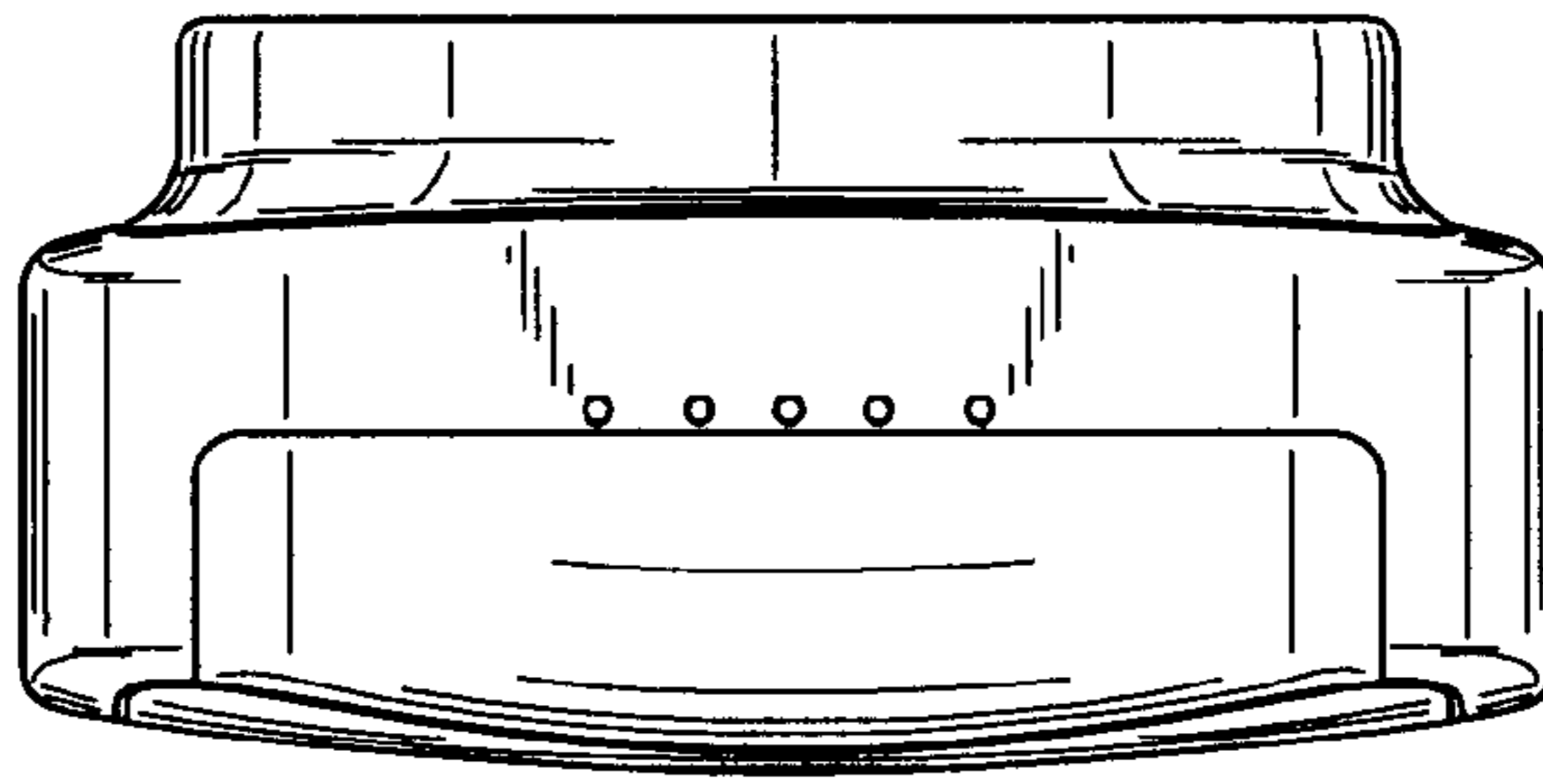


Fig. 6

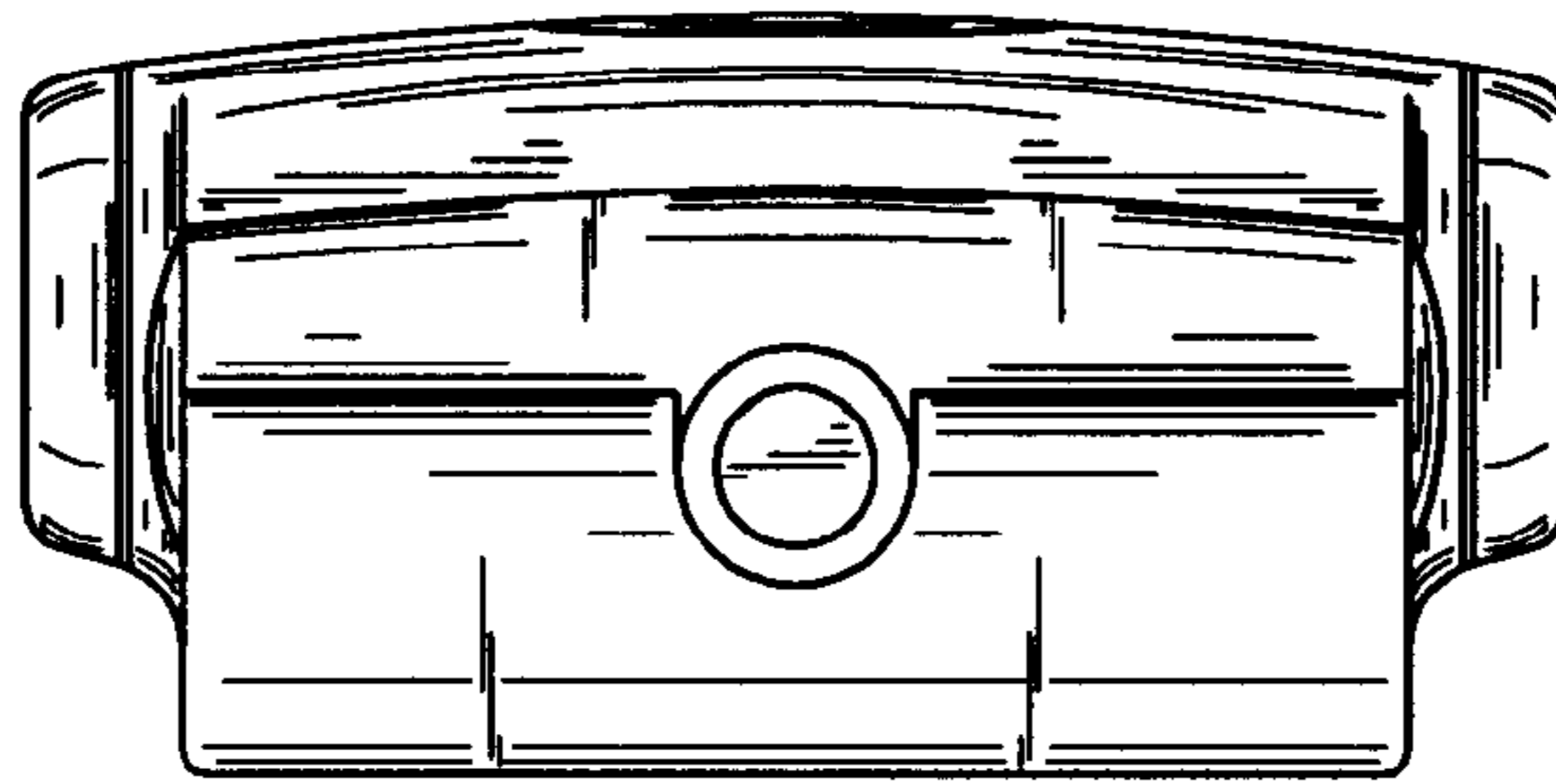


Fig. 7