



US00D470502S

(12) **United States Design Patent** (10) **Patent No.:** **US D470,502 S**
Andrews et al. (45) **Date of Patent:** **** Feb. 18, 2003**

(54) **WRIST SUPPORT**

(75) Inventors: **John George Andrews**, Anglesey Gwynedd (GB); **Adrian Paul Smith**, London (GB)

(73) Assignee: **Tru-Back (UK) Limited**, London (GB)

(**) Term: **14 Years**

(21) Appl. No.: **29/142,781**

(22) Filed: **Jun. 1, 2001**

(51) **LOC (7) Cl.** **14-02**

(52) **U.S. Cl.** **D14/460**

(58) **Field of Search** D14/460, 461; 248/118, 118.1, 118.2, 118.3, 118.5; 400/715

(56) **References Cited**

U.S. PATENT DOCUMENTS

- D331,042 S * 11/1992 Hassel et al. D14/461
- 5,265,835 A * 11/1993 Nash 248/118
- 5,370,346 A * 12/1994 Long 248/118.5
- D399,194 S * 10/1998 Chuang D14/401

* cited by examiner

Primary Examiner—Kay H. Chin

(74) *Attorney, Agent, or Firm*—Reinhart Boerner Van Deuren s.c.

(57) **CLAIM**

The ornamental design for a wrist support, as shown and described.

DESCRIPTION

FIG. 1 is a top perspective view of a wrist support showing our new design;

FIG. 2 is a top plan view thereof;

FIG. 3 is a bottom plan view thereof;

FIG. 4 is a left side view thereof;

FIG. 5 is a right side view thereof;

FIG. 6 is a front view thereof;

FIG. 7 is a rear view thereof;

FIG. 8 is a top plan view of the top part of the wrist support;

FIG. 9 is a bottom plan view of FIG. 8;

FIG. 10 is a top perspective view of FIG. 8;

FIG. 11 is a bottom perspective view of FIG. 8;

FIG. 12 is a left side view of FIG. 8;

FIG. 13 is a right side view of FIG. 8;

FIG. 14 is a front view of FIG. 8;

FIG. 15 is a rear view of FIG. 8;

FIG. 16 is a perspective view of the bottom part of the wrist support;

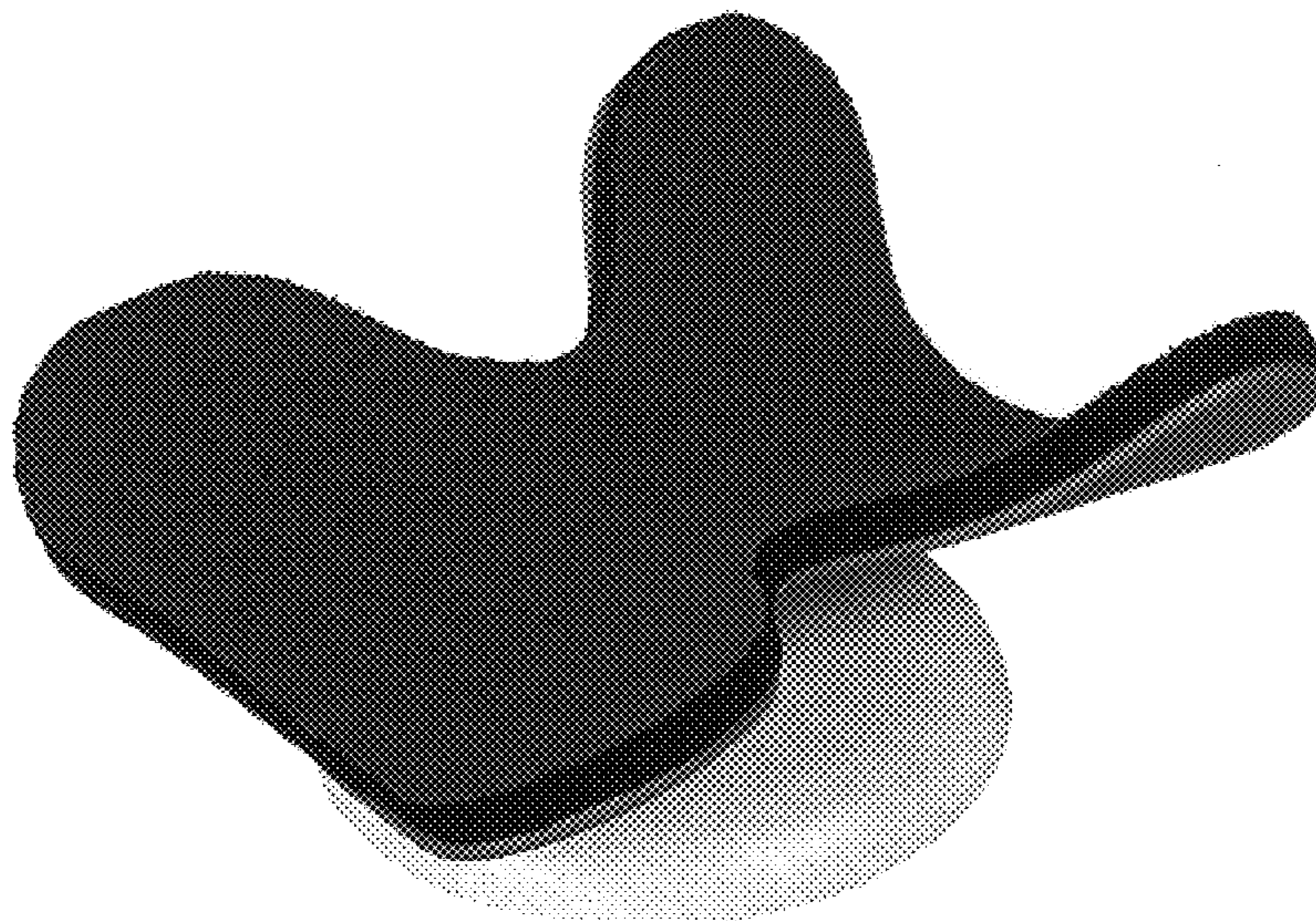
FIG. 17 is a side view of FIG. 16, the opposite side view being a mirror image of that shown;

FIG. 18 is a front view of FIG. 16, the rear view being a mirror image of that shown;

FIG. 19 is a top plan view of FIG. 16; and,

FIG. 20 is a bottom plan view of FIG. 16.

1 Claim, 10 Drawing Sheets



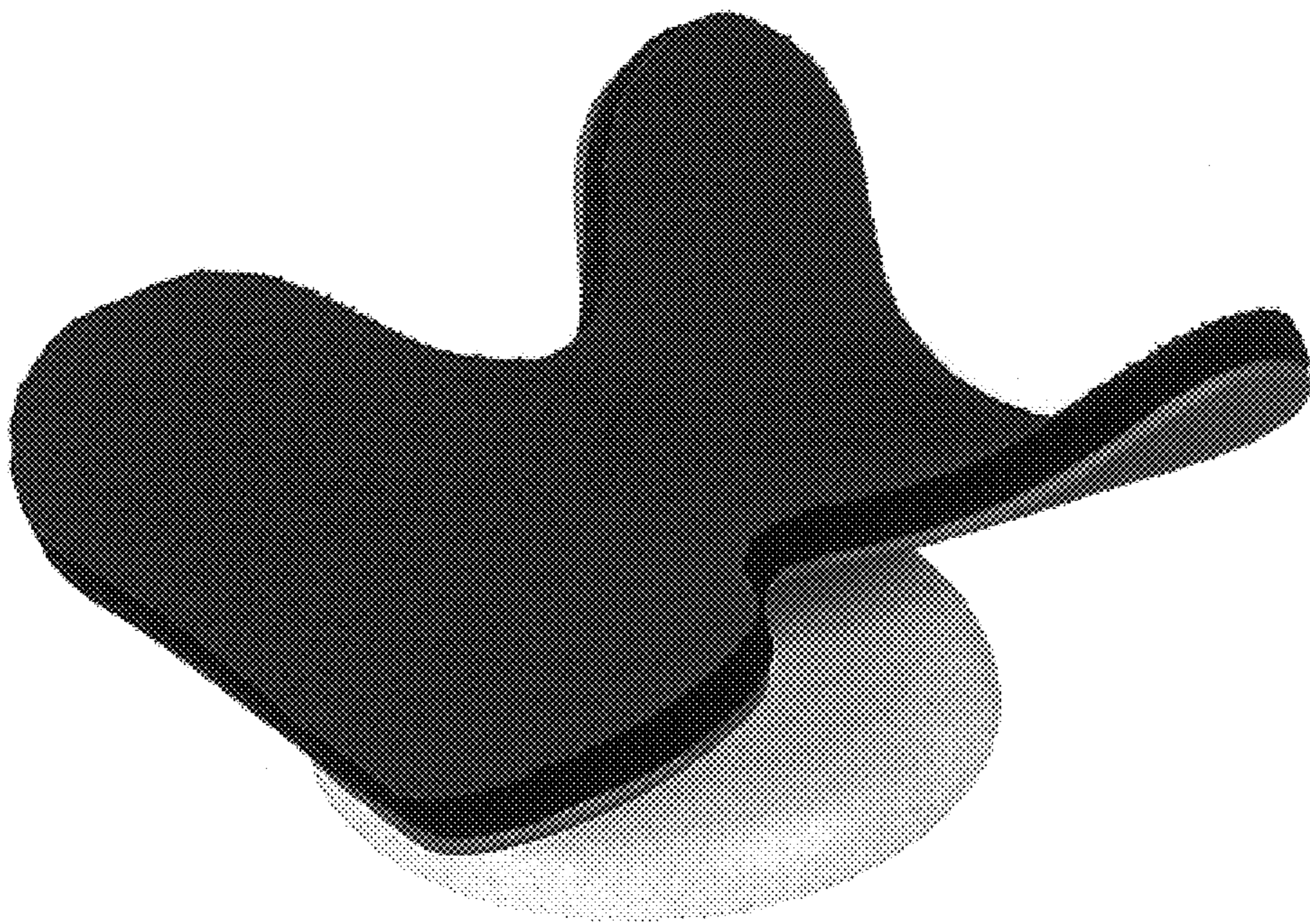


FIG. 1

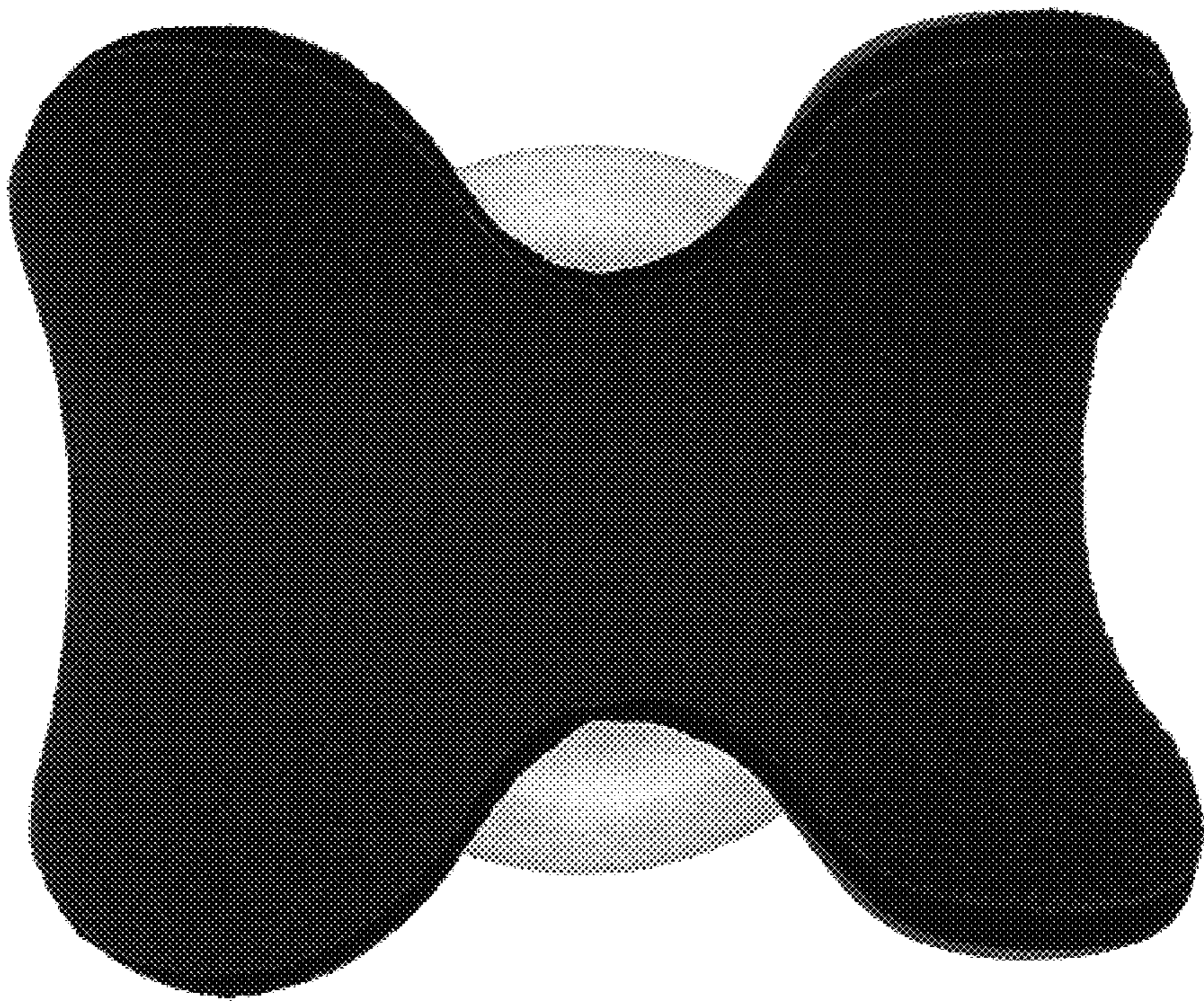


FIG. 2

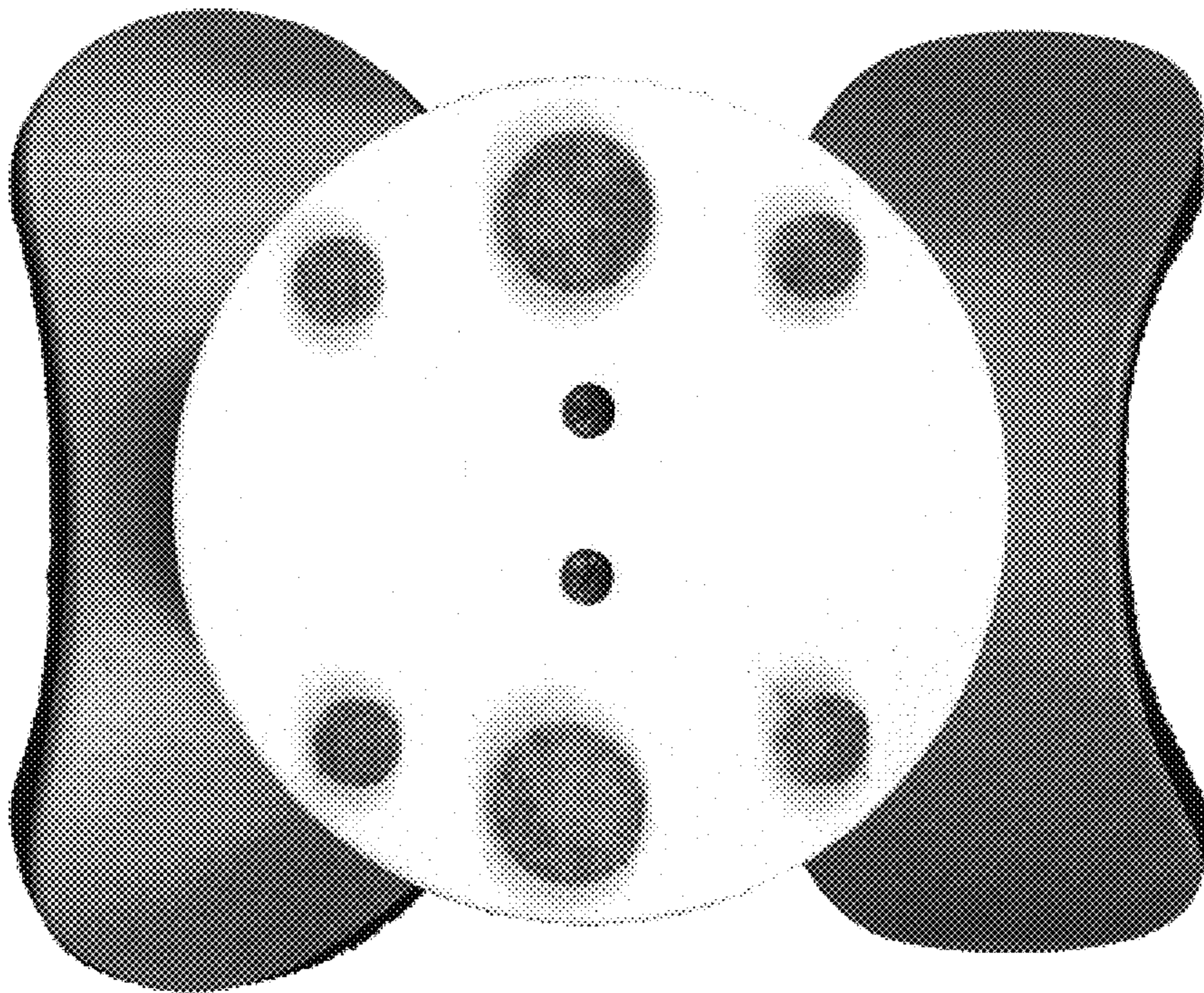


FIG. 3

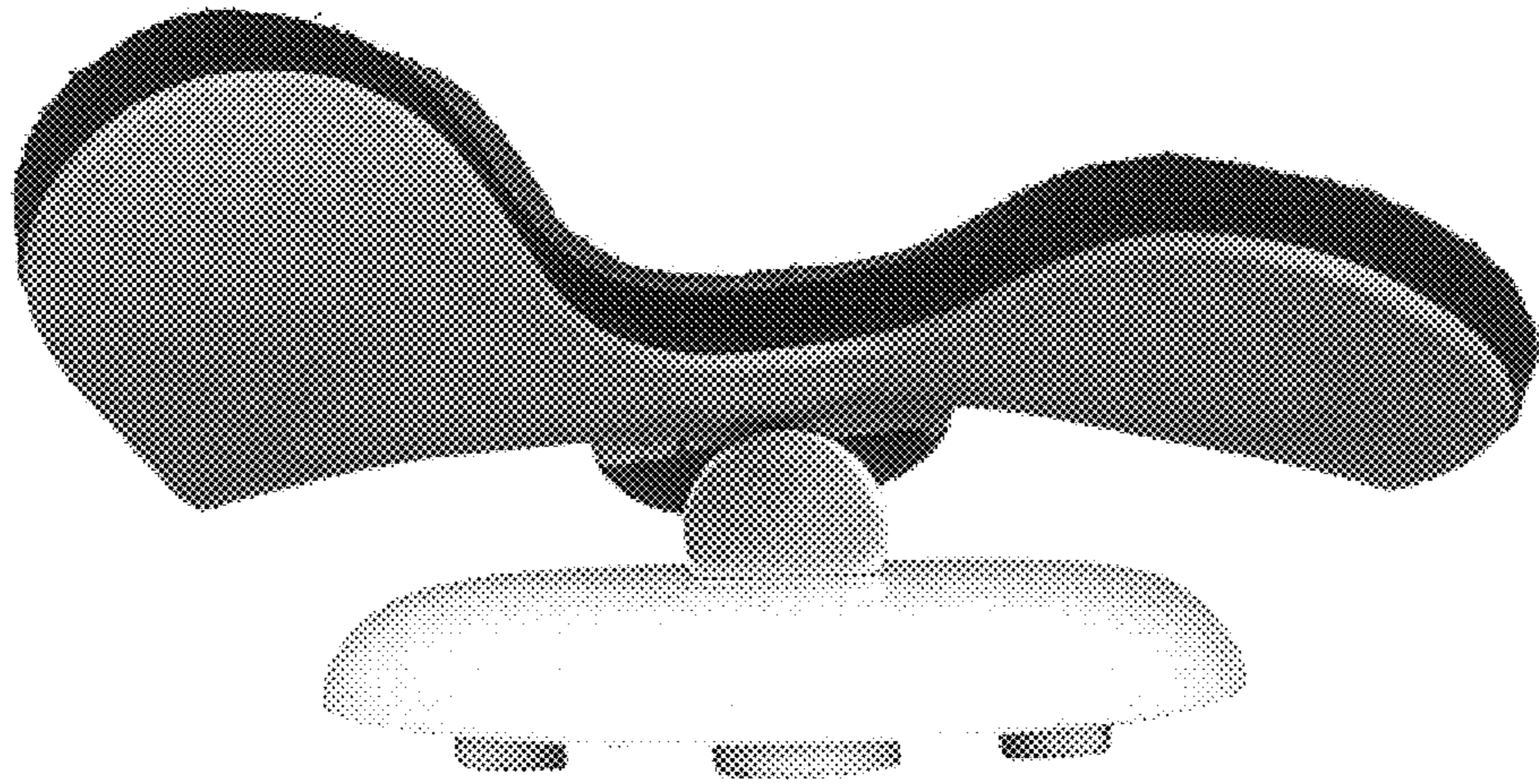


FIG. 4

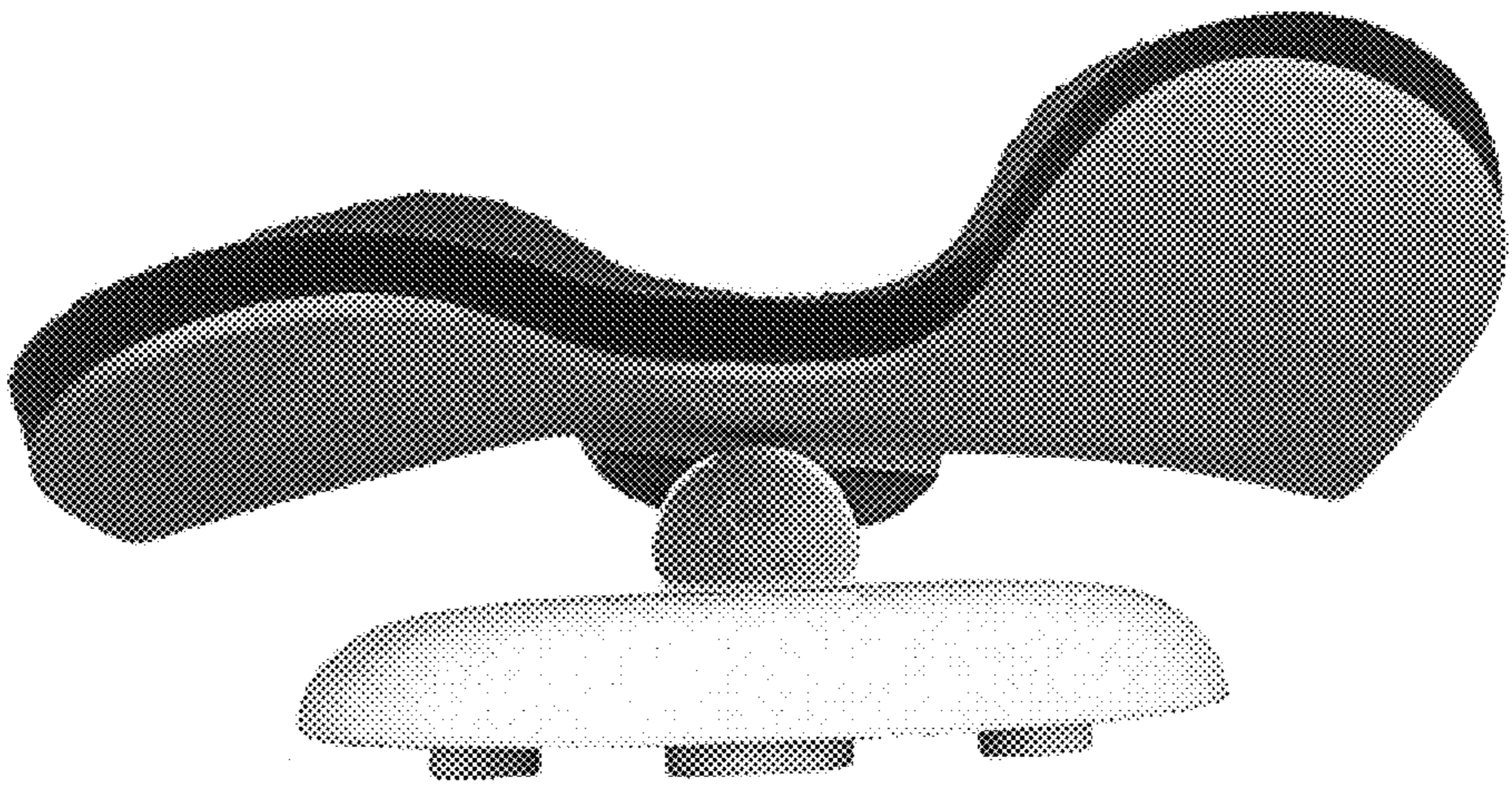


FIG. 5

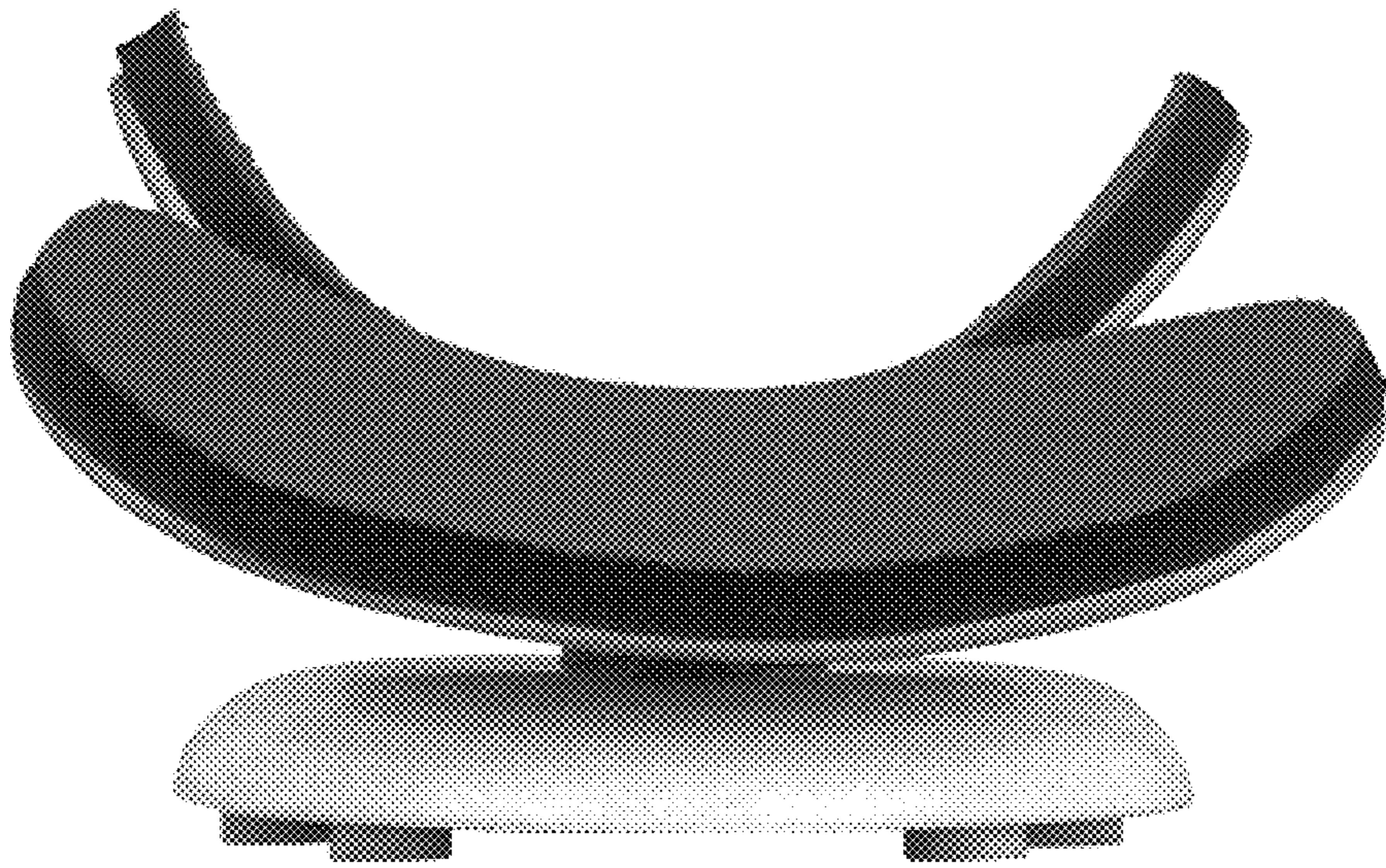


FIG. 6

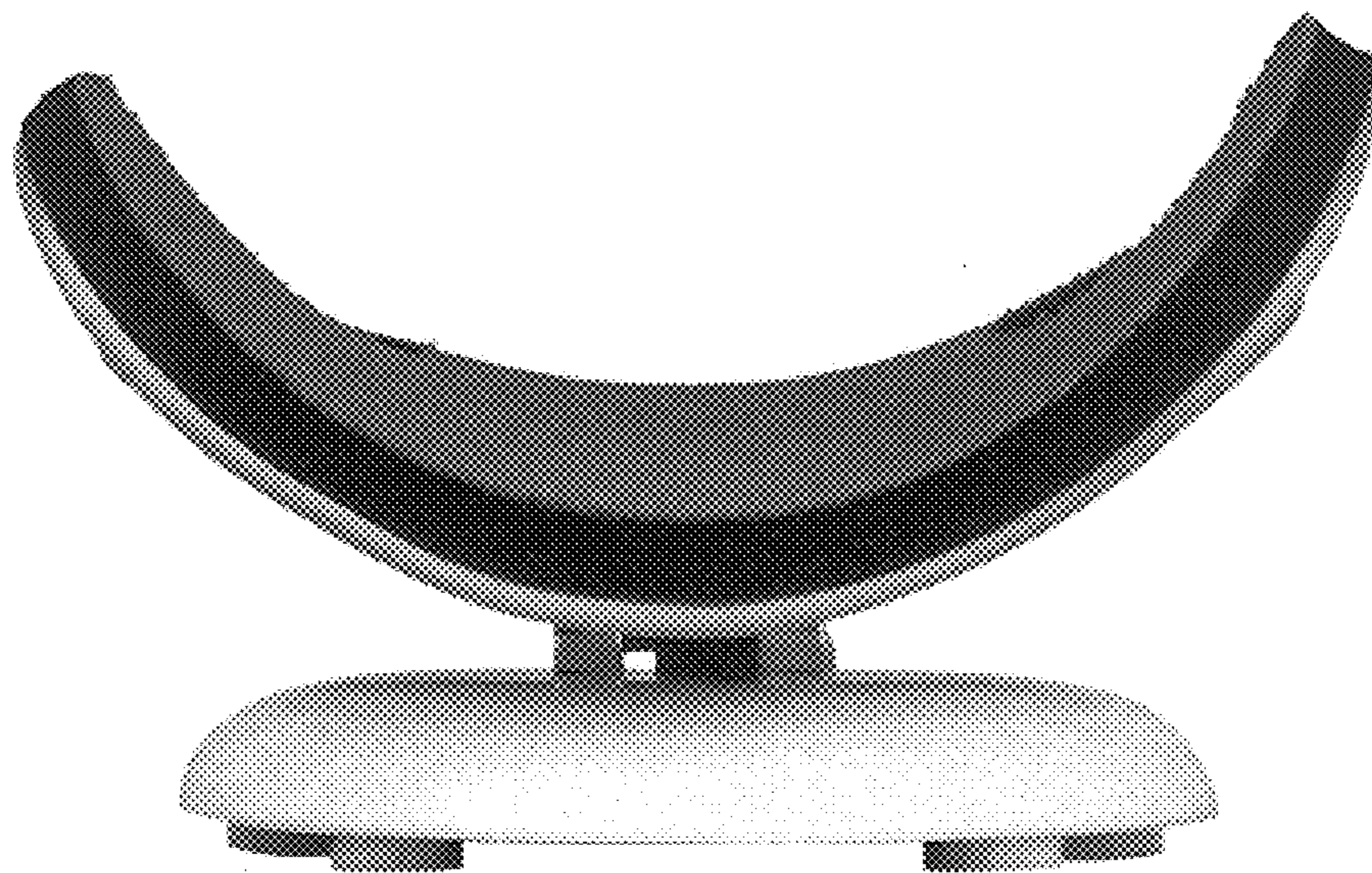


FIG. 7

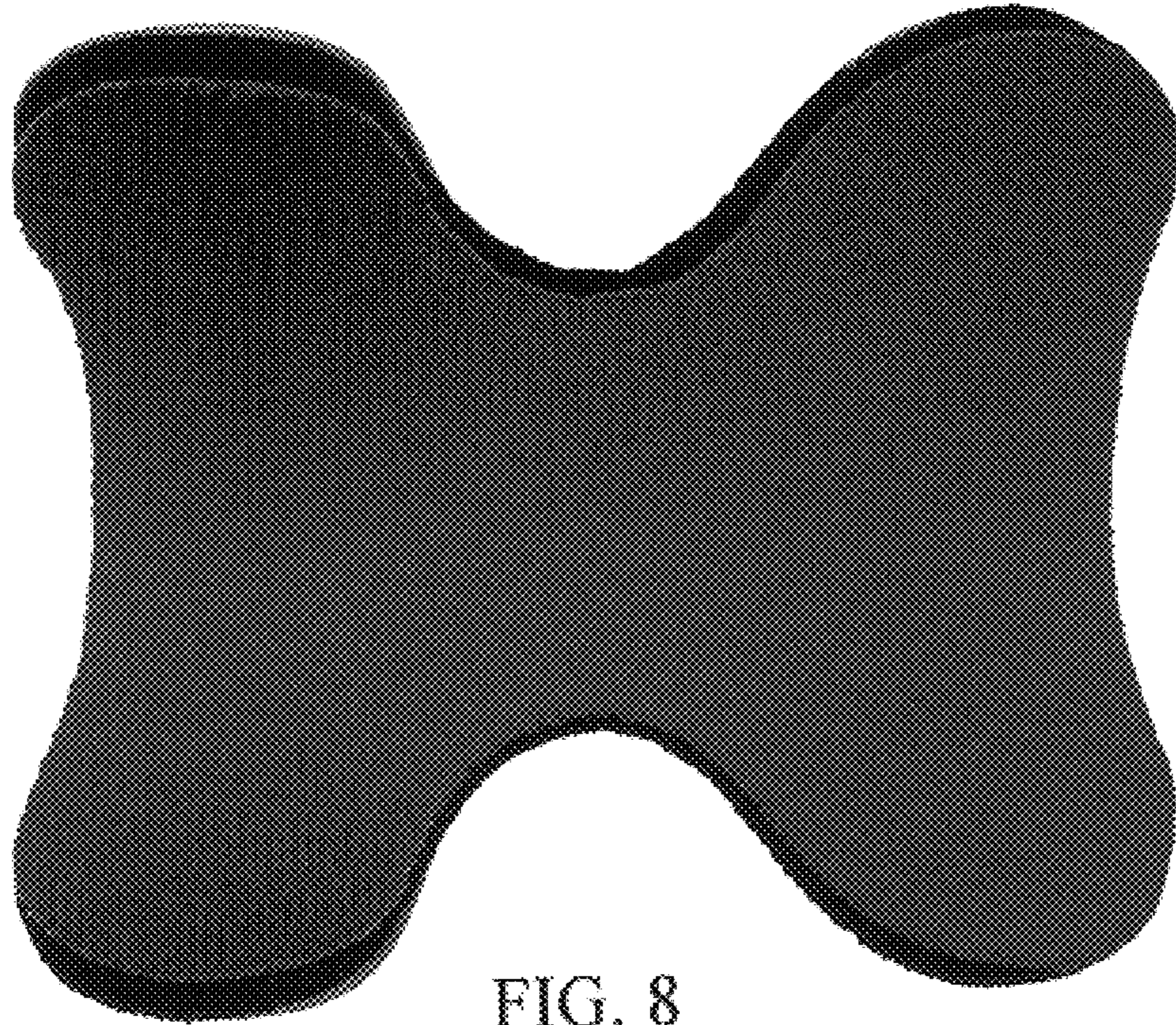


FIG. 8

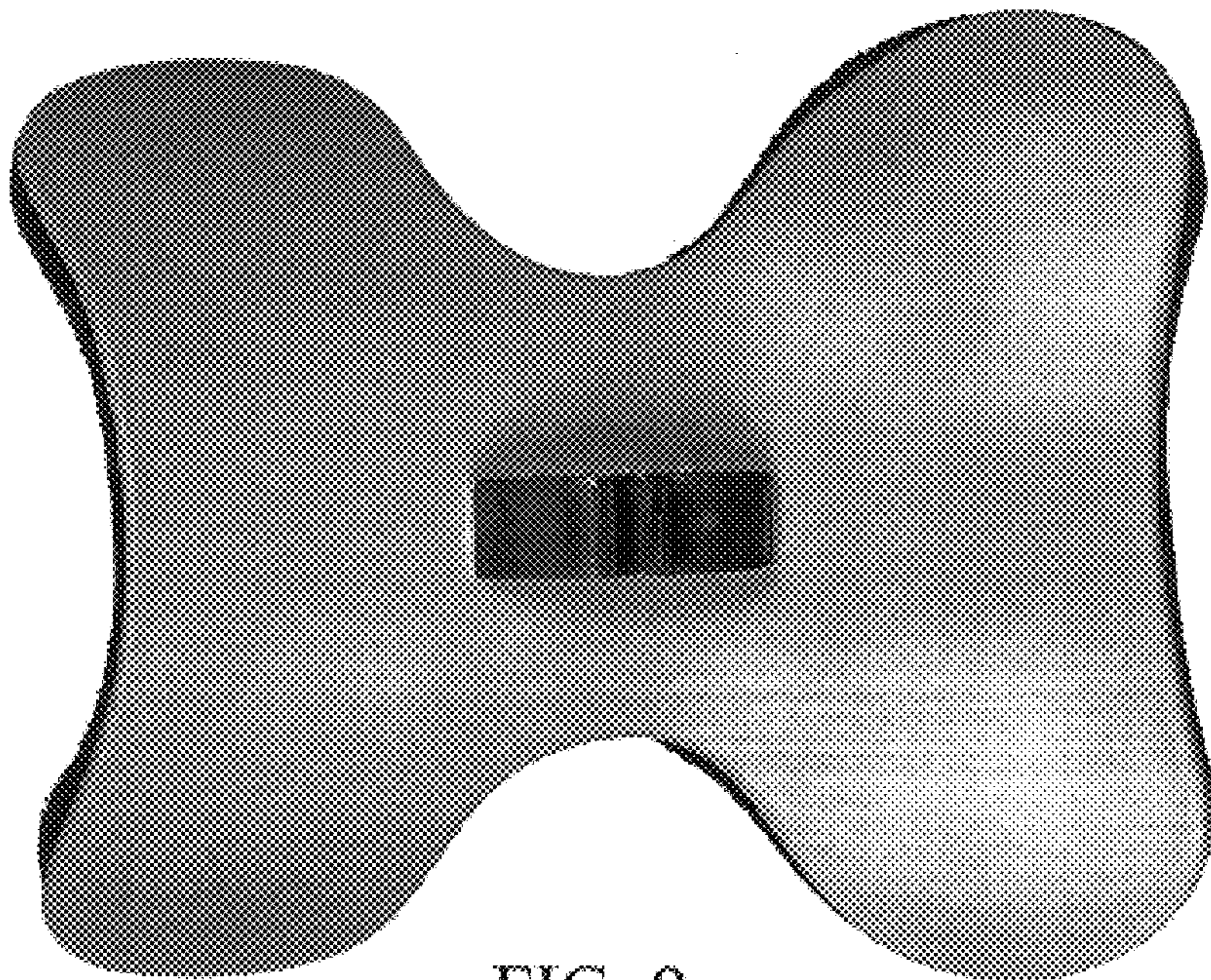


FIG. 9



FIG. 10

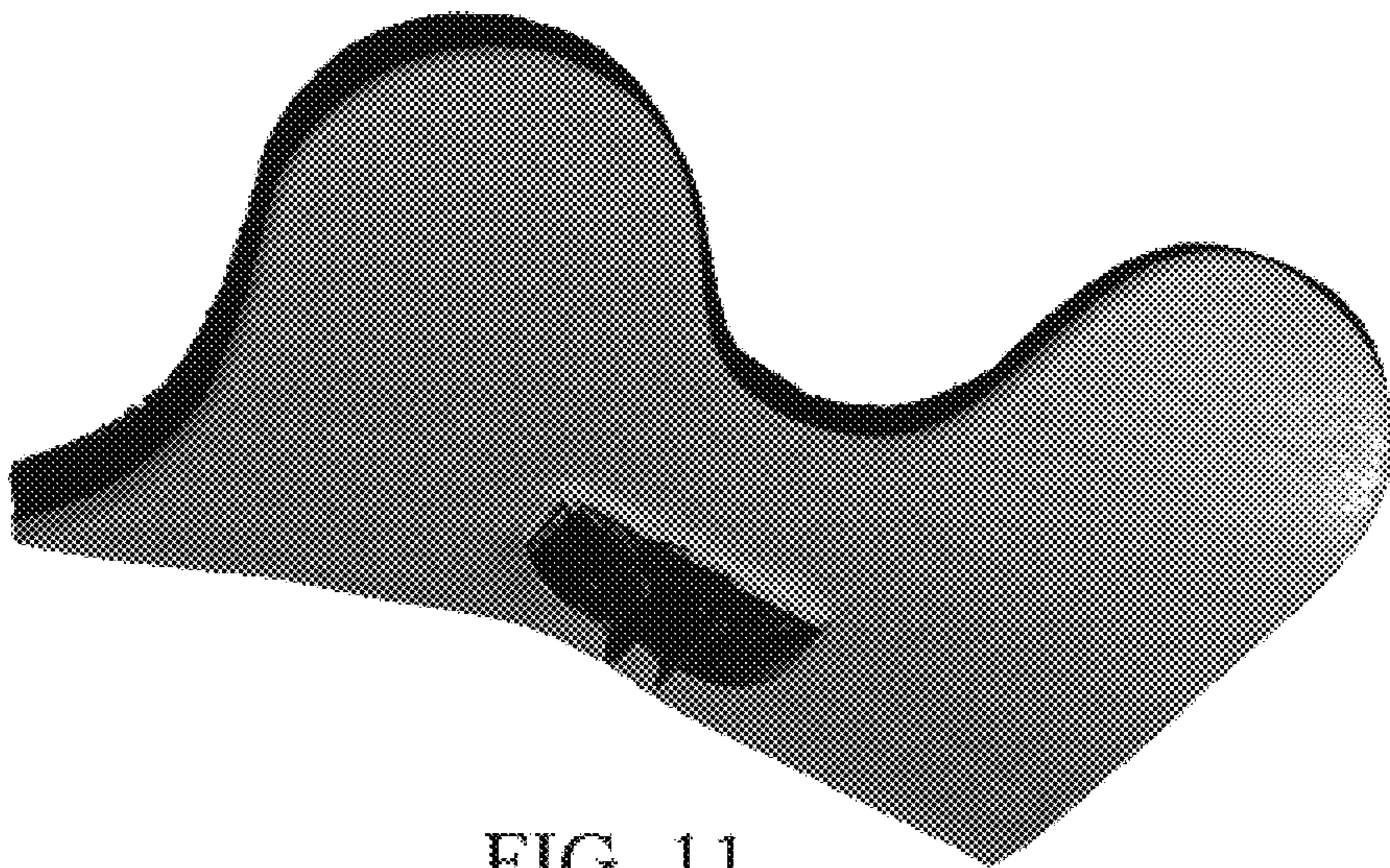


FIG. 11

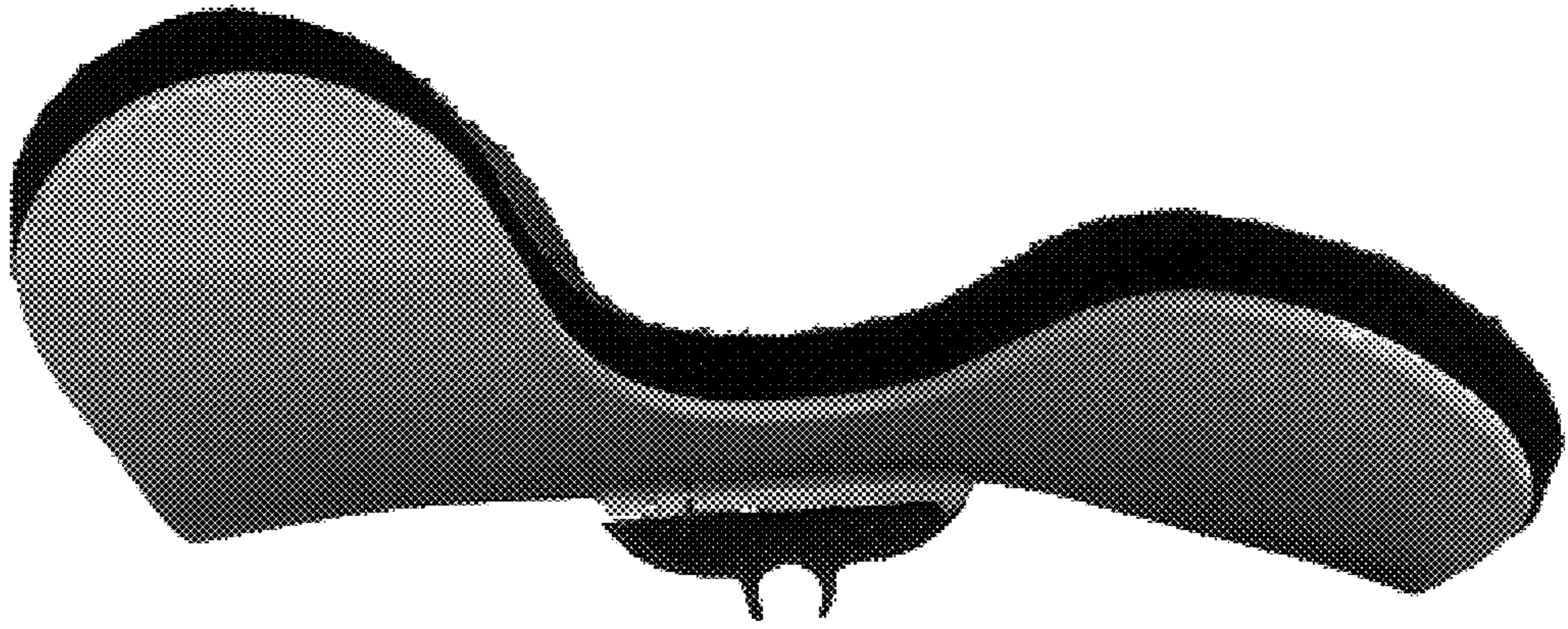


FIG. 12

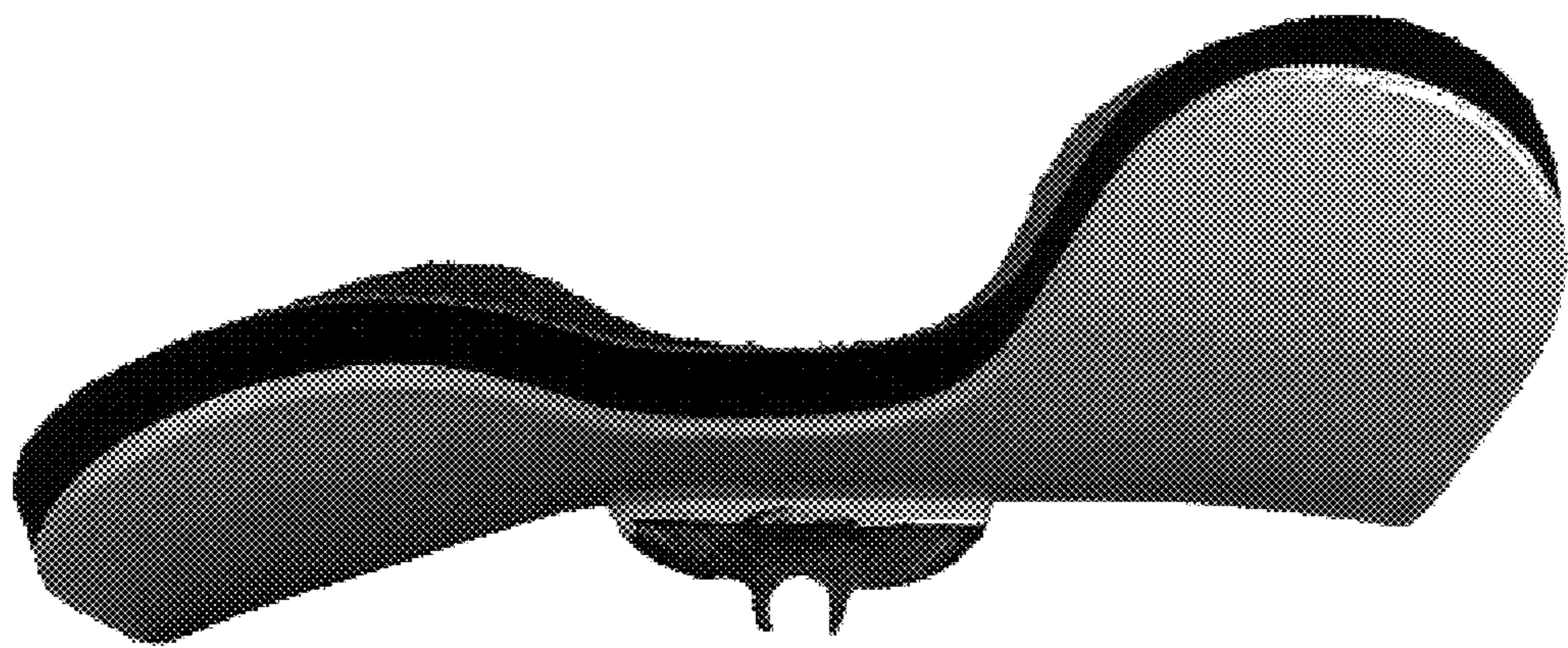


FIG. 13

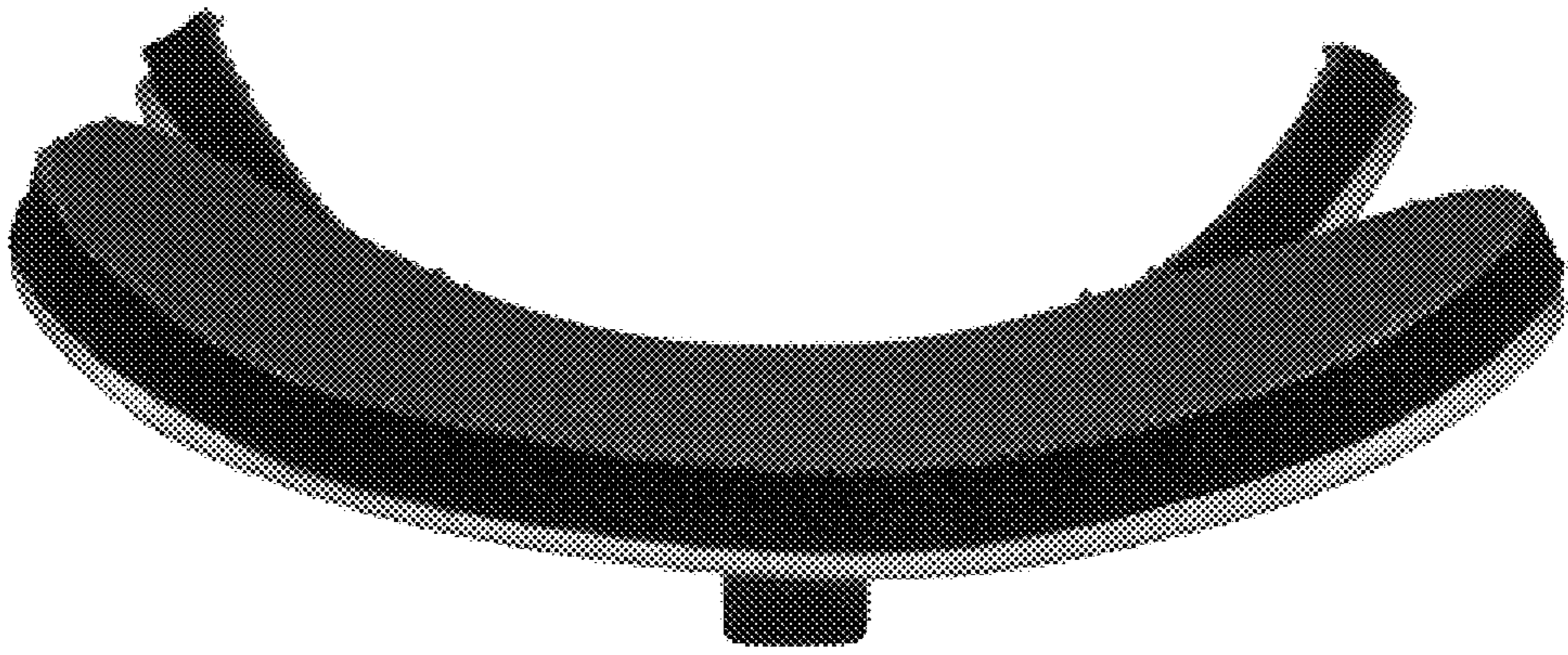


FIG. 14

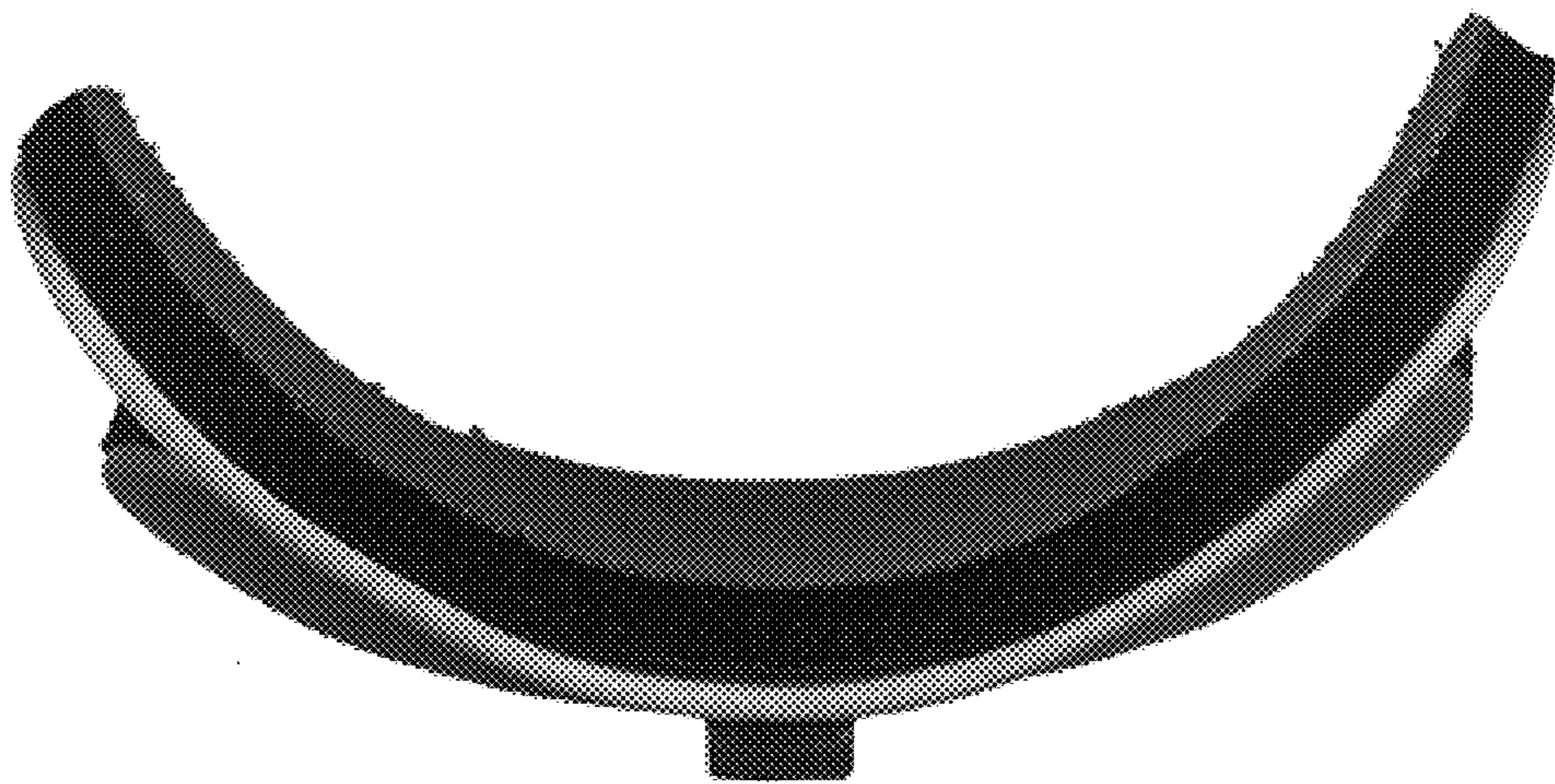


FIG. 15

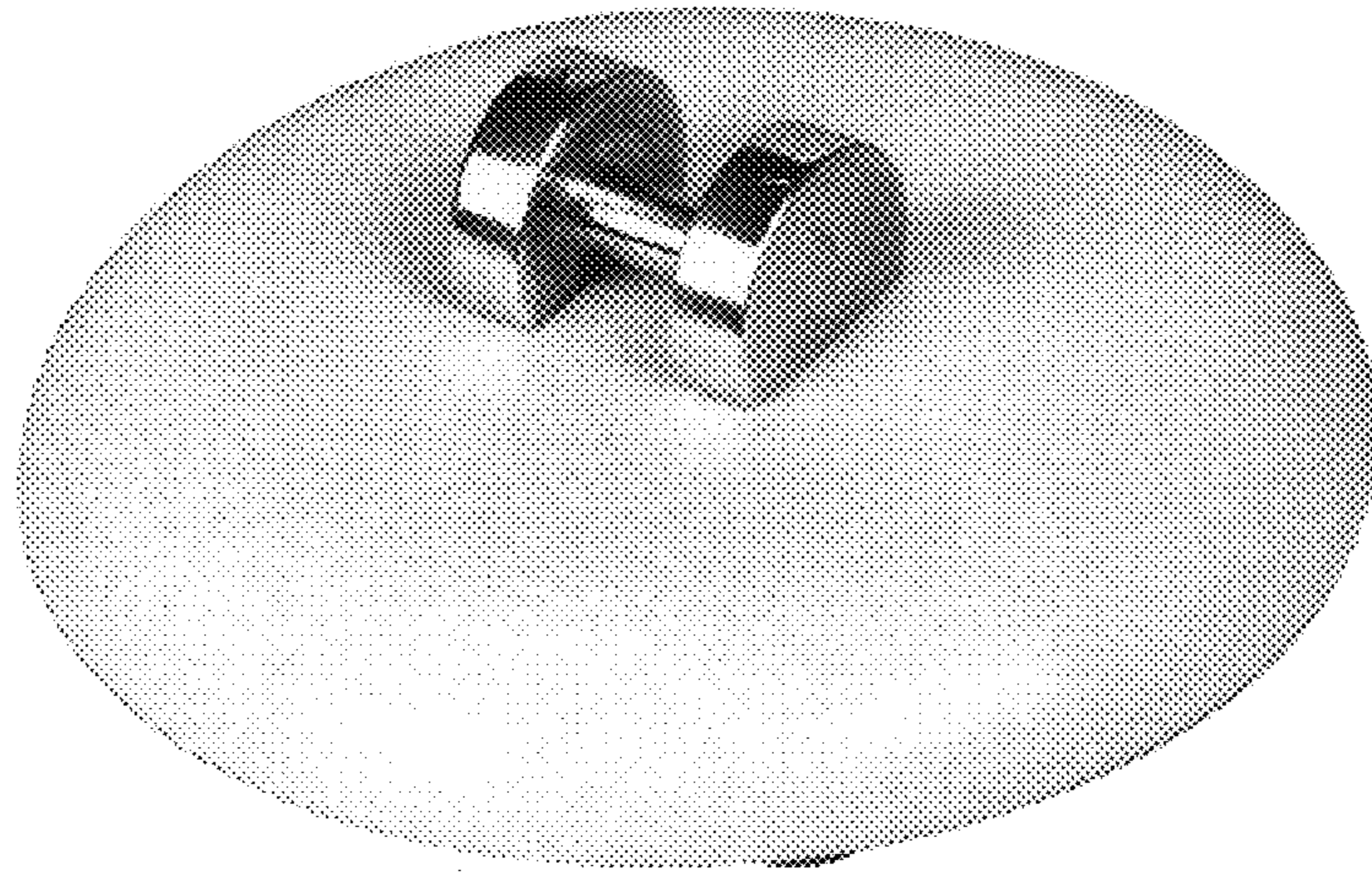


FIG. 16

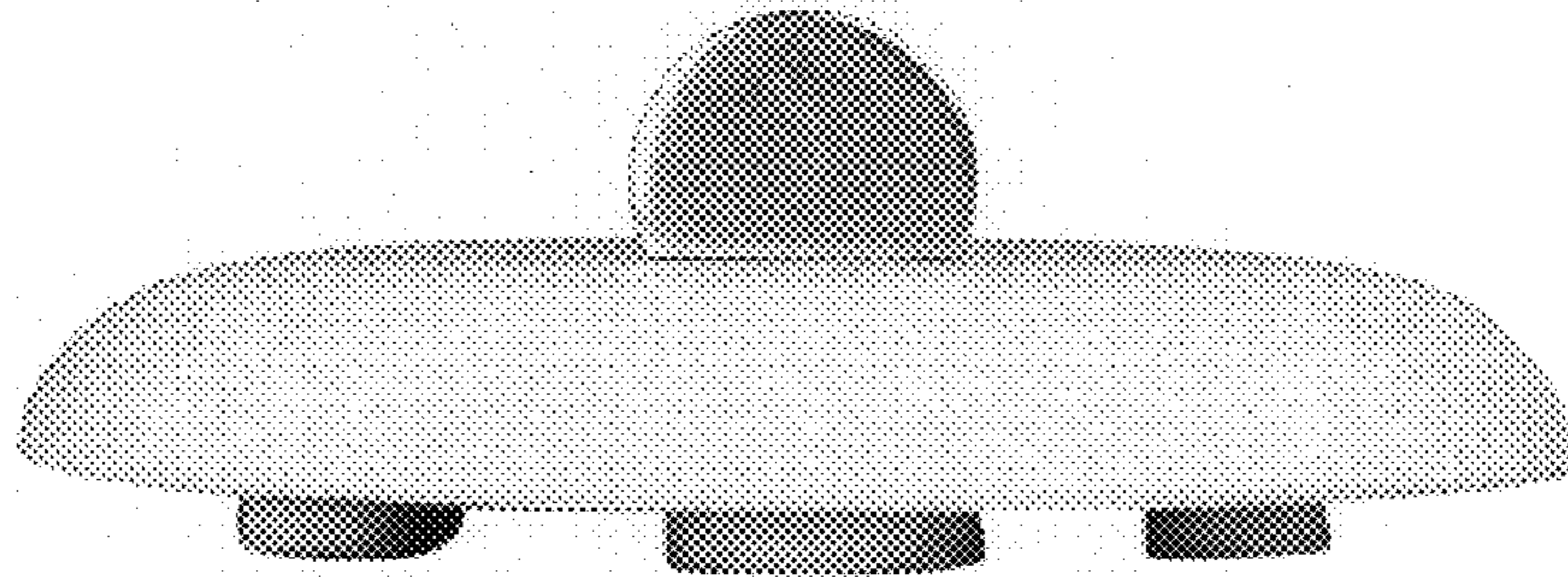


FIG. 17

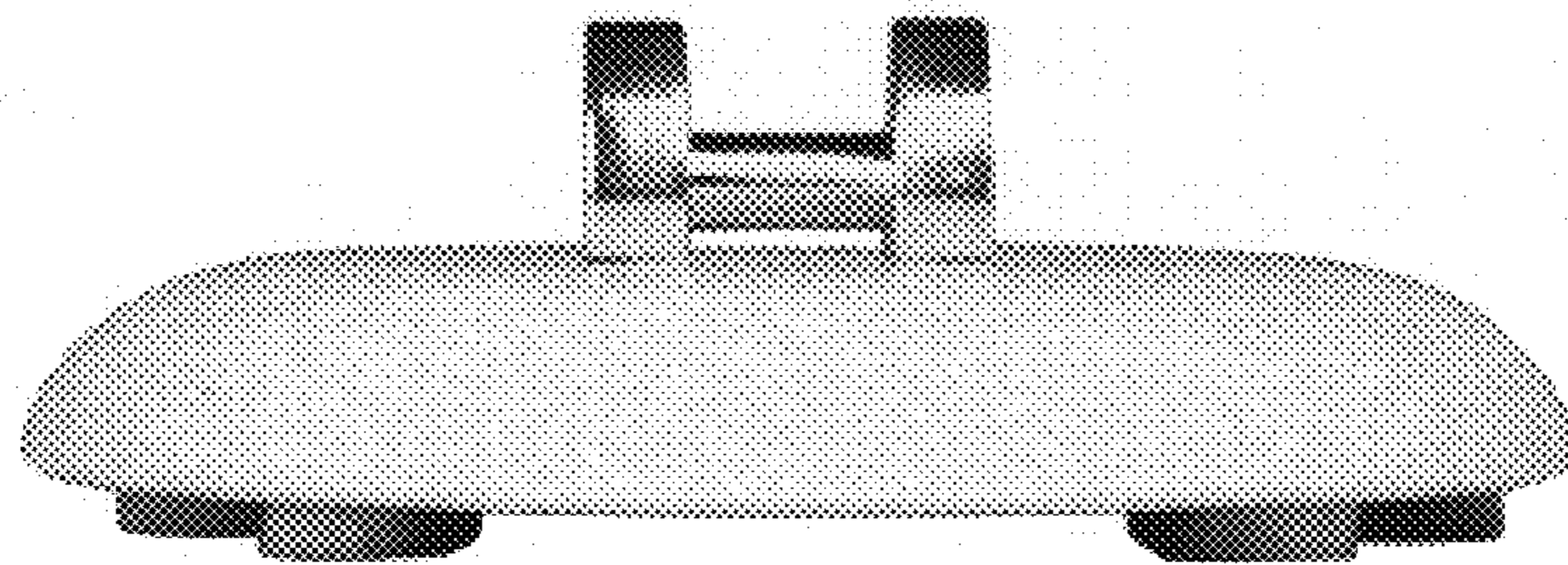


FIG. 18

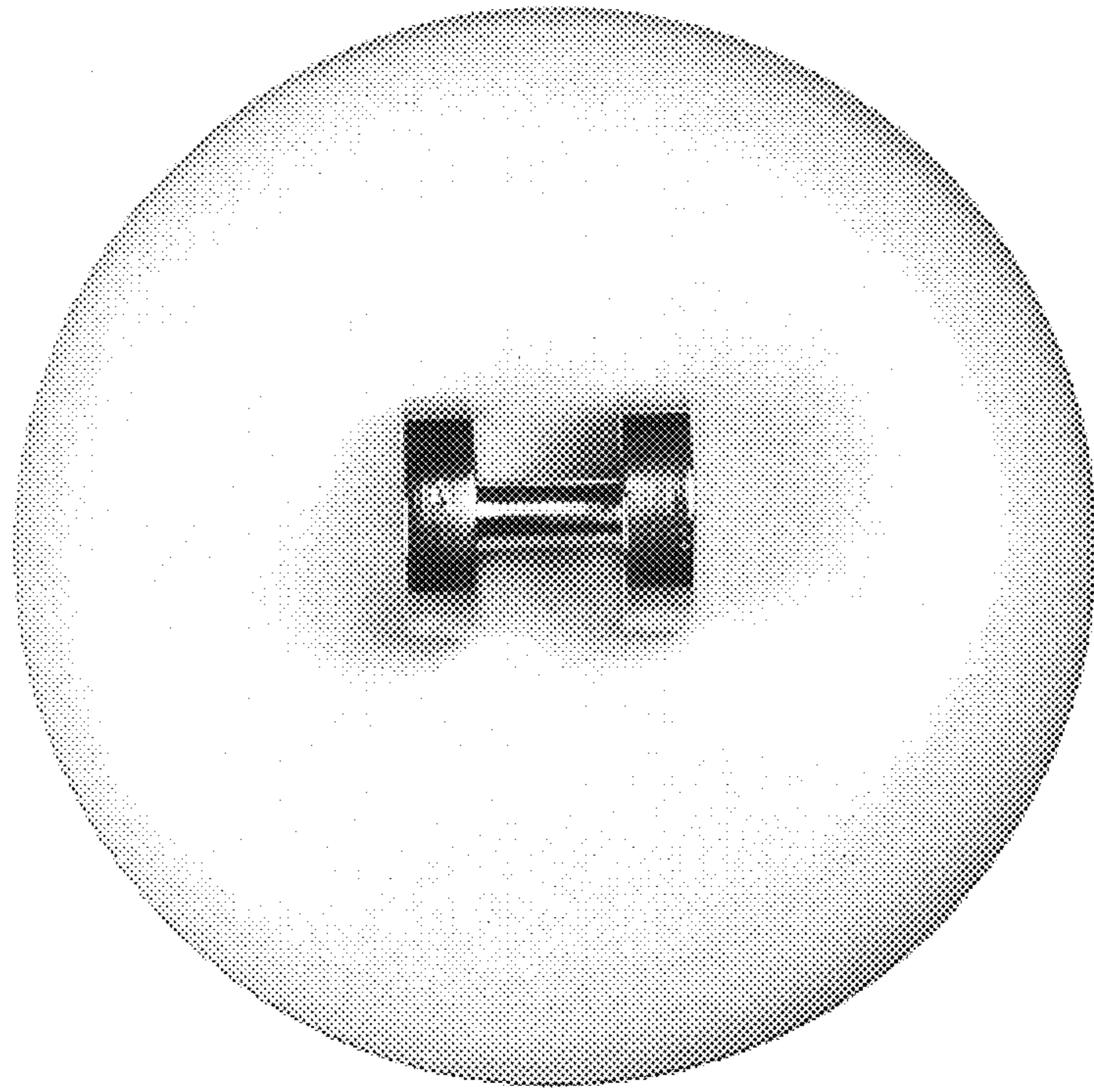


FIG. 19

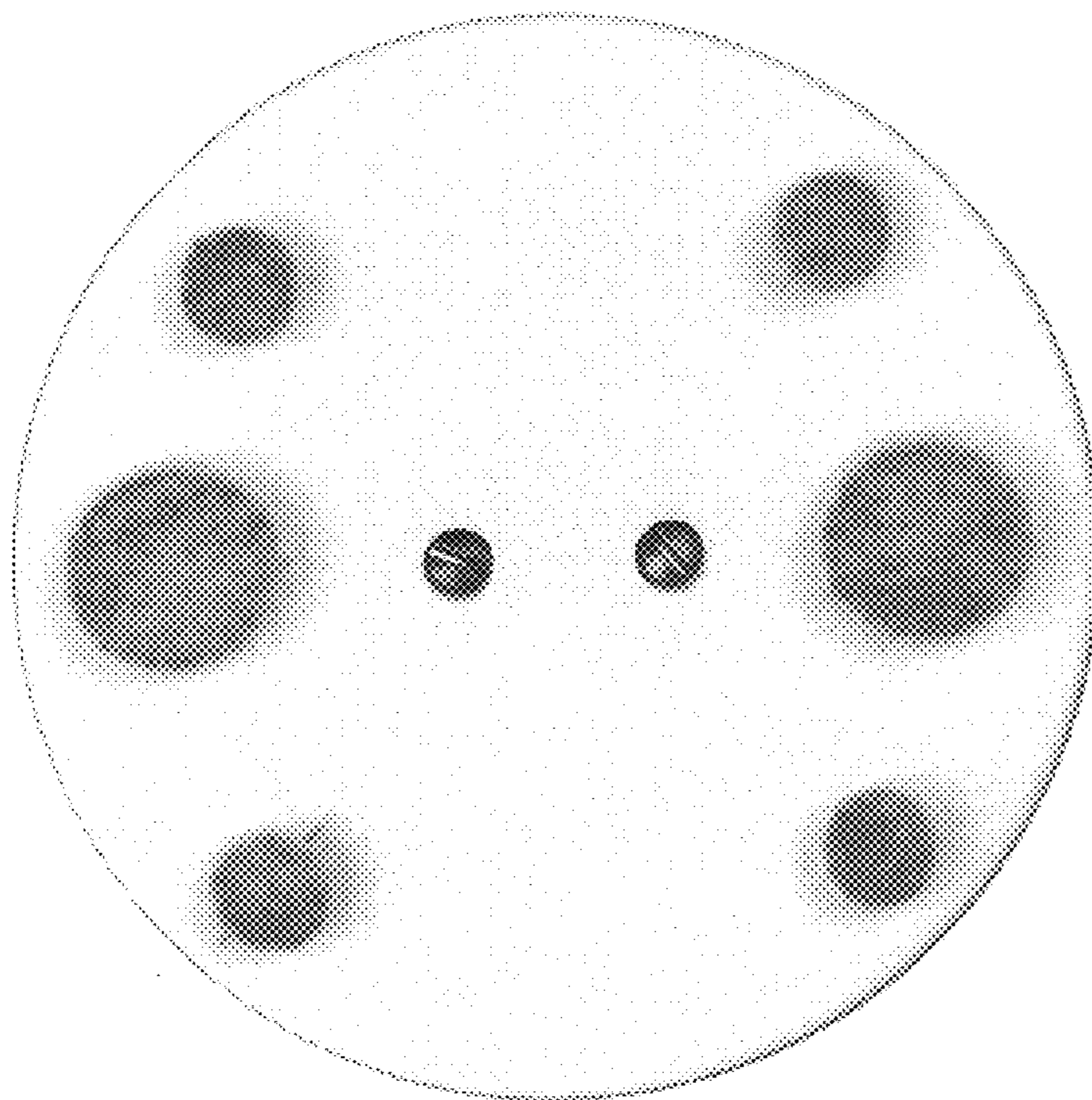


FIG. 20