



US00D470498S

(12) **United States Design Patent**
Argumedo et al.

(10) **Patent No.:** **US D470,498 S**

(45) **Date of Patent:** **** Feb. 18, 2003**

(54) **DATA CARTRIDGE**

(75) Inventors: **Armando Jesus Argumedo**, Tucson, AZ (US); **Edwin Ralph Childers**, Tucson, AZ (US); **Johnny Lynn Teale**, Tucson, AZ (US); **Richard Alex West**, Corona, AZ (US)

(73) Assignee: **International Business Machines Corporation**, Armonk, NY (US)

(**) Term: **14 Years**

(21) Appl. No.: **29/158,295**

(22) Filed: **Apr. 2, 2002**

(51) **LOC (7) Cl.** **14-02**

(52) **U.S. Cl.** **D14/435; D14/479**

(58) **Field of Search** D14/432, 435-438, D14/156, 164, 474-480, 363; 242/348, 348.4, 341, 346.1, 347, 346.2; 360/132, 133; 273/148 B; 463/43, 44, 45, 46; 369/291; D13/147

(56) **References Cited**

U.S. PATENT DOCUMENTS

- D276,527 S * 11/1984 Flanigan D14/435
- D277,851 S * 3/1985 Gresham et al. D14/475
- D363,066 S * 10/1995 Tapani et al. D14/475

- D370,009 S * 5/1996 Smedley, Jr. et al. D14/479
- D394,050 S * 5/1998 Funawatari D14/479
- D412,326 S * 7/1999 Gianfagna et al. D14/435

* cited by examiner

Primary Examiner—Kay H. Chin

(74) *Attorney, Agent, or Firm*—Antonio R. Durando; Durando Birdwell & Janke, P.L.C.

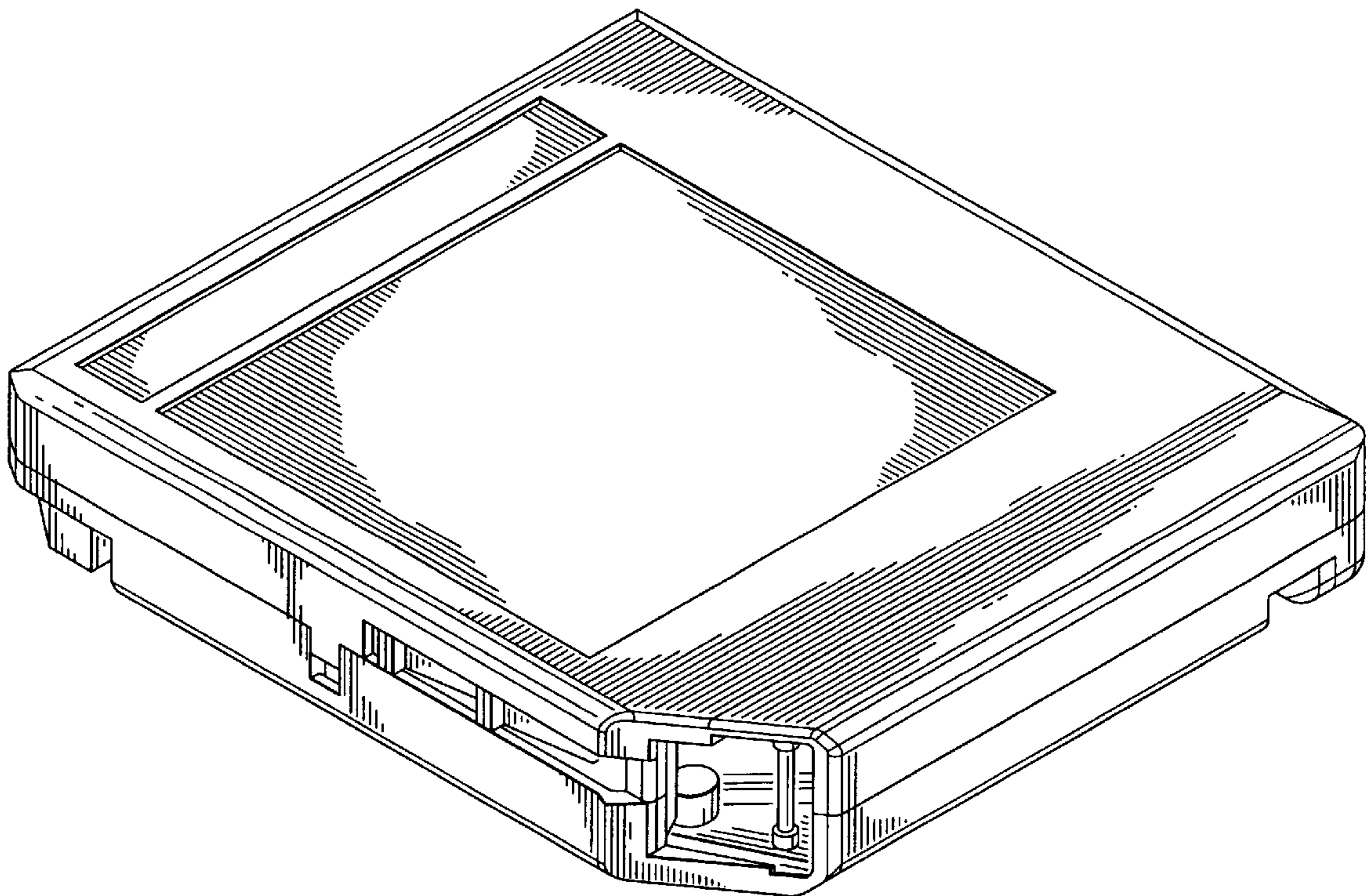
(57) **CLAIM**

The ornamental design for a data cartridge, as shown and described.

DESCRIPTION

FIG. 1 is a perspective view of the back side of a data cartridge showing our design;
 FIG. 2 is a perspective view of the front side thereof;
 FIG. 3 is a right-side elevational view thereof;
 FIG. 4 is a back-side elevational view thereof;
 FIG. 5 is a left-side elevational view thereof;
 FIG. 6 is a front-side elevational view thereof;
 FIG. 7 is a top plan view thereof;
 FIG. 8 is a bottom plan view thereof;
 FIG. 9 is a perspective view of the front side thereof showing the data cartridge with an open door; and,
 FIG. 10 is a right-side elevational view of the data cartridge of FIG. 9.

1 Claim, 4 Drawing Sheets



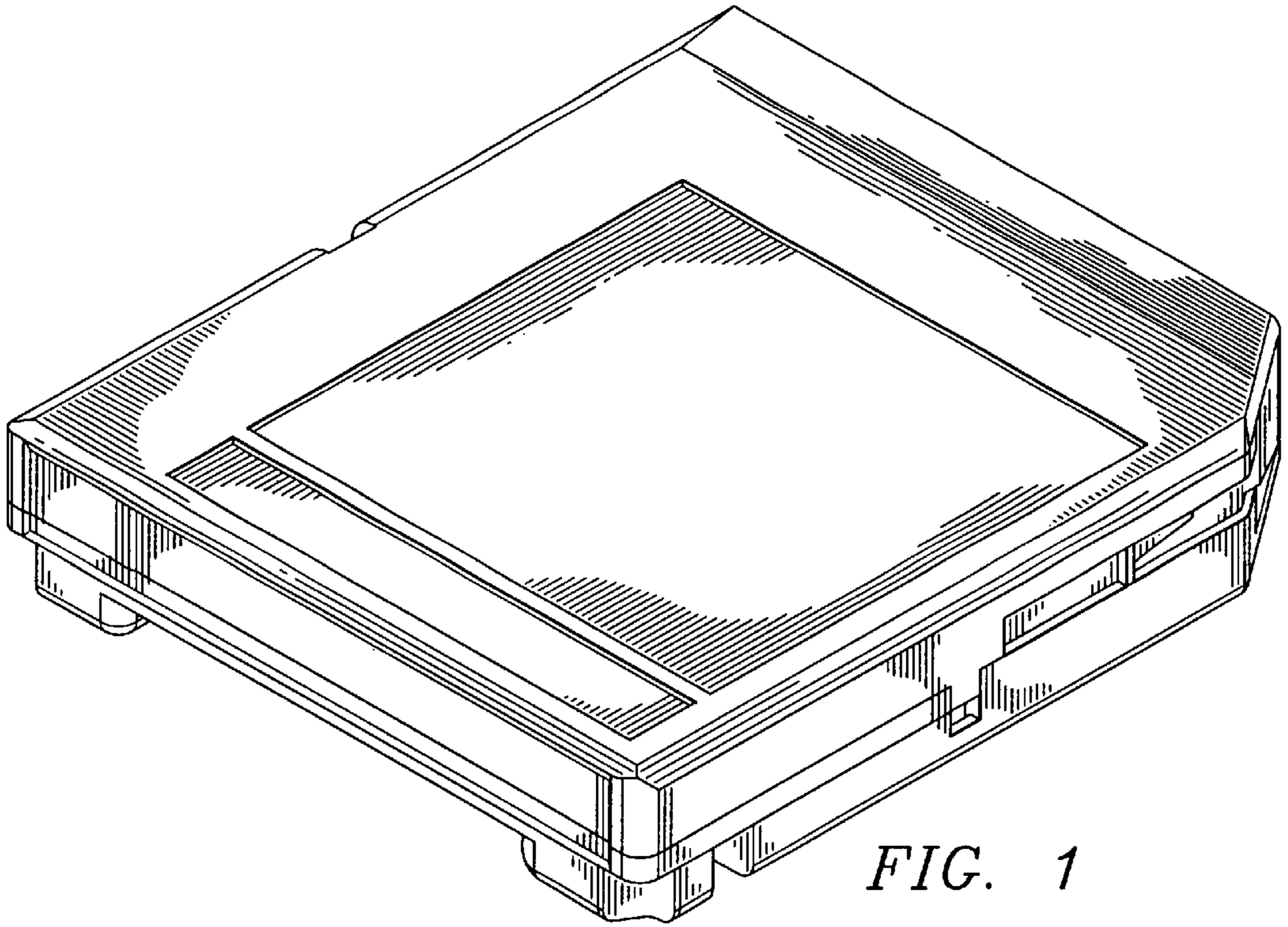


FIG. 1

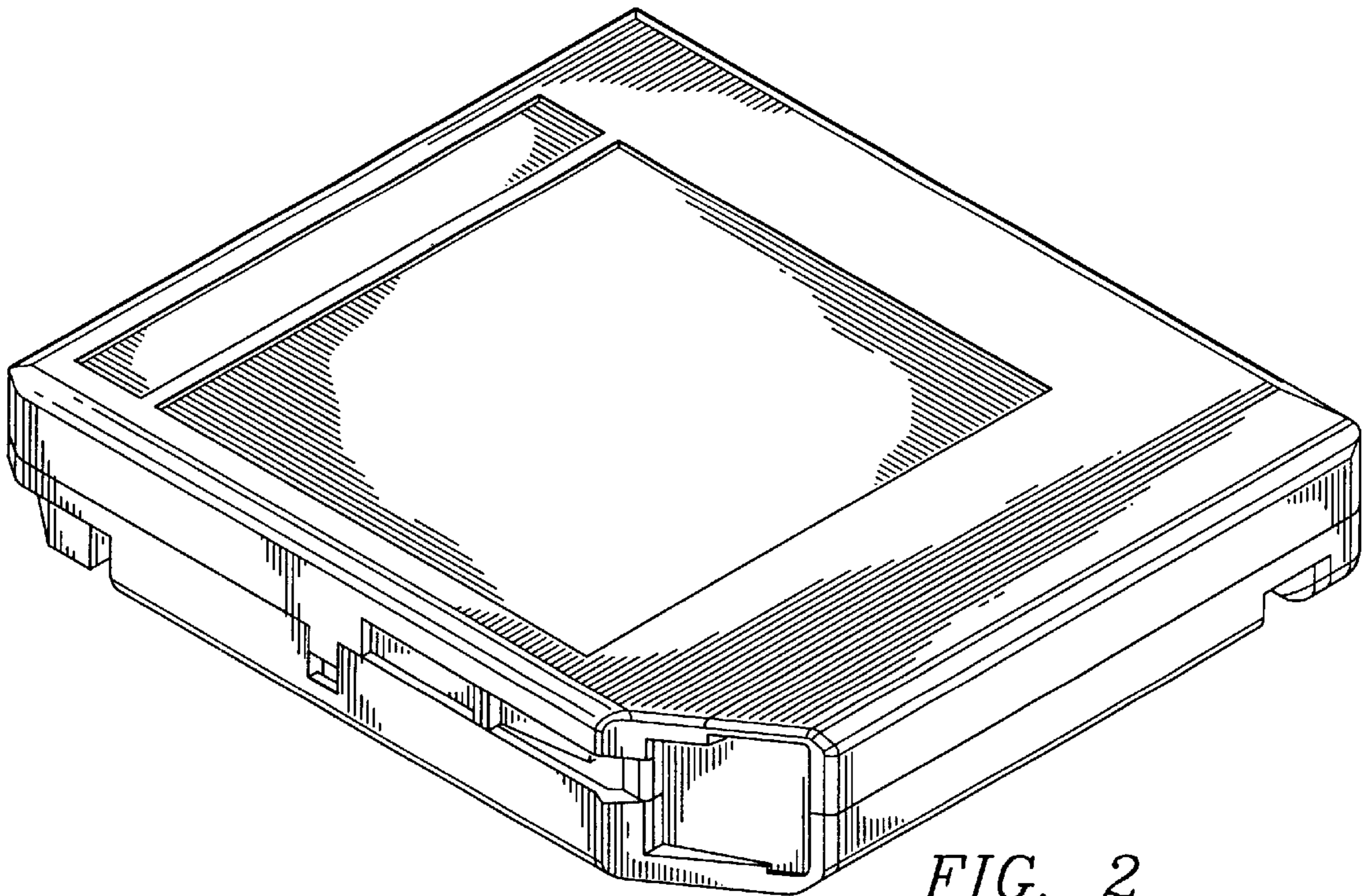


FIG. 2

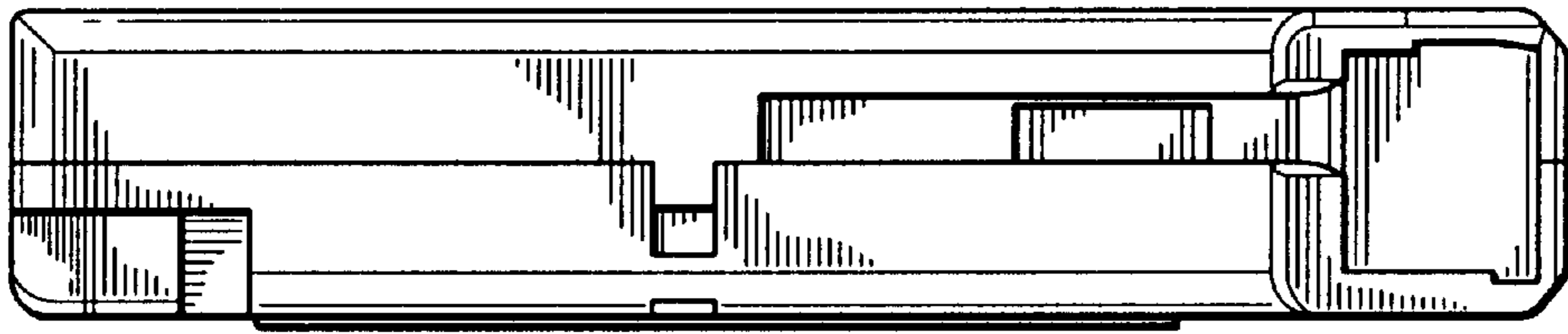


FIG. 3

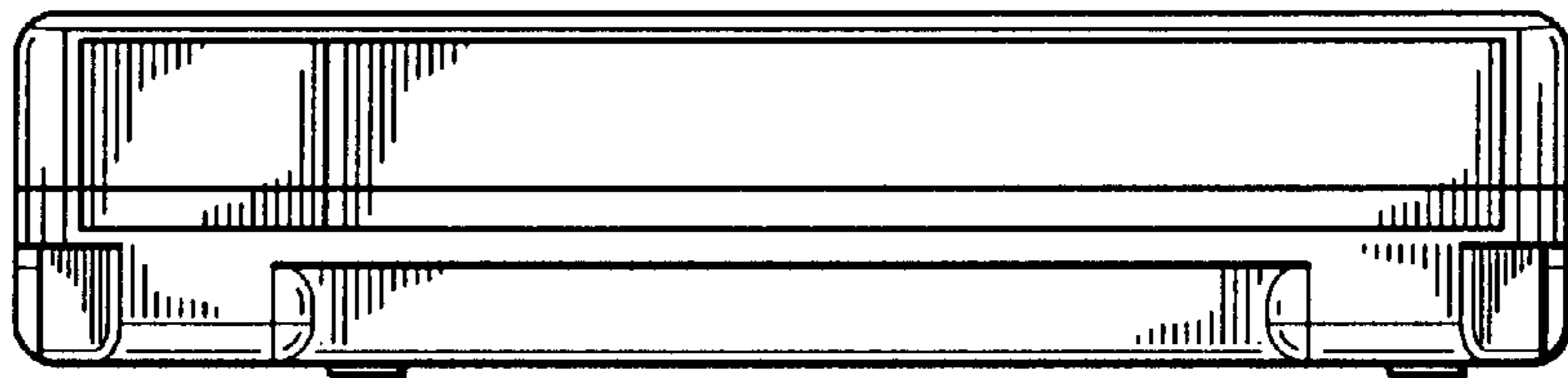


FIG. 4

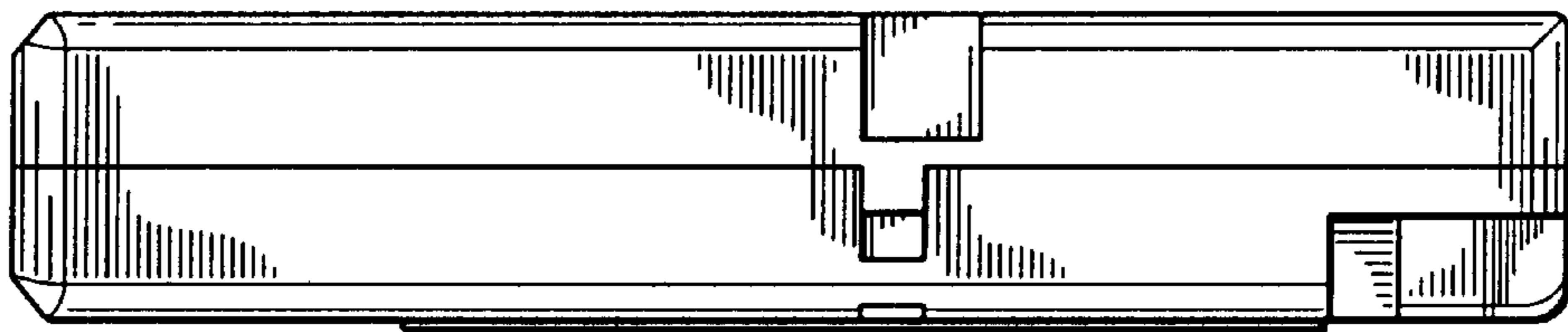


FIG. 5

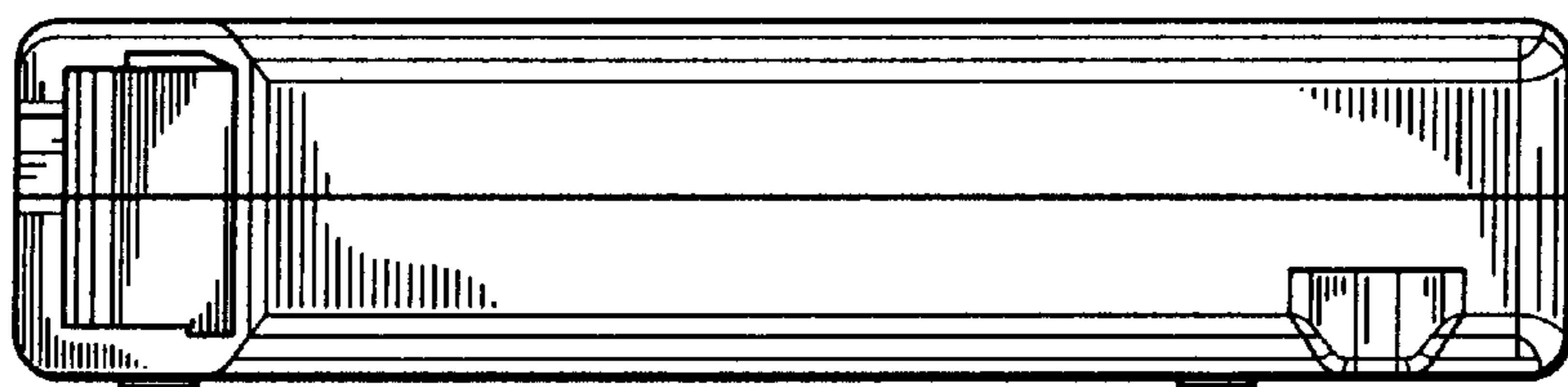


FIG. 6

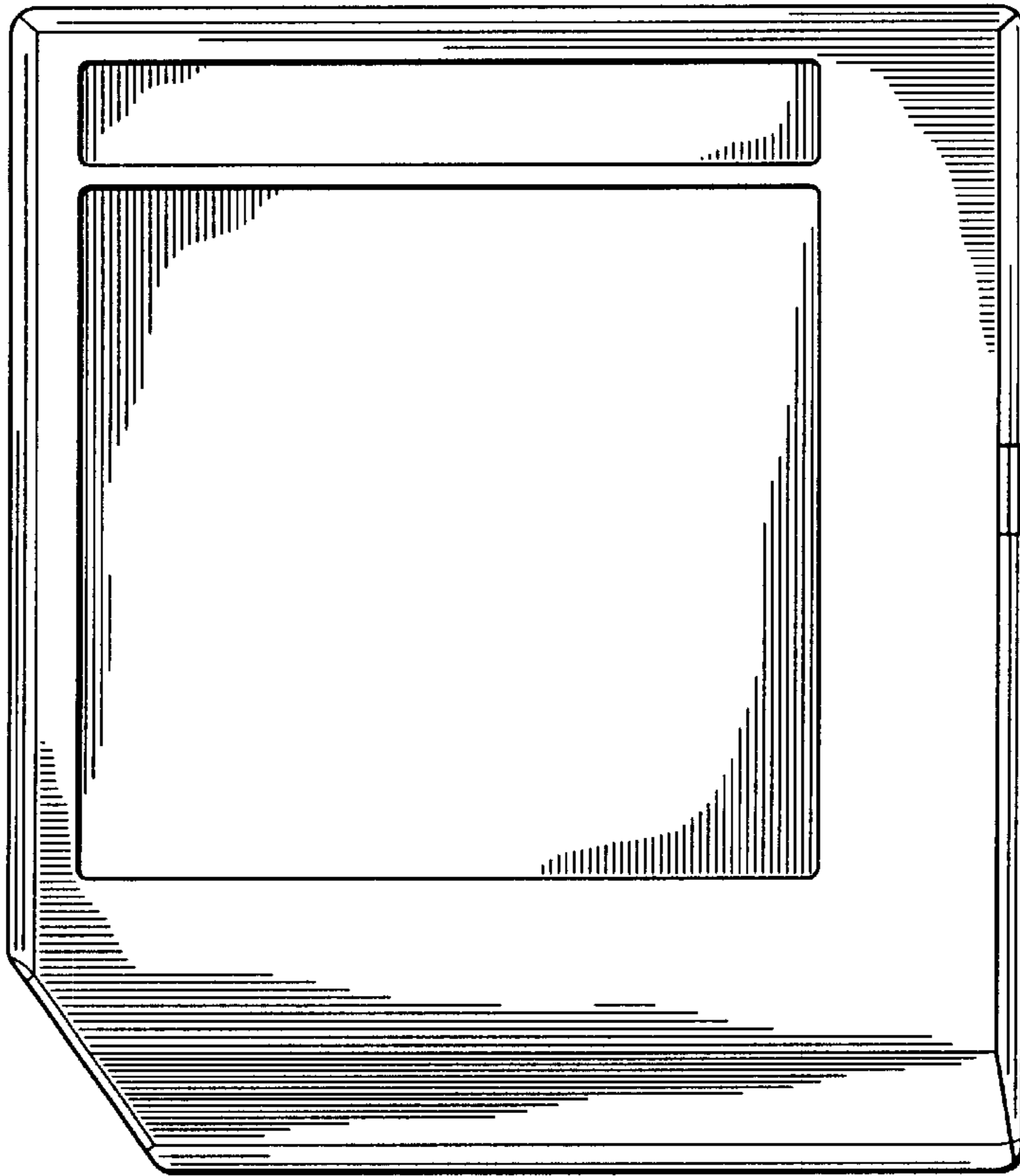


FIG. 7

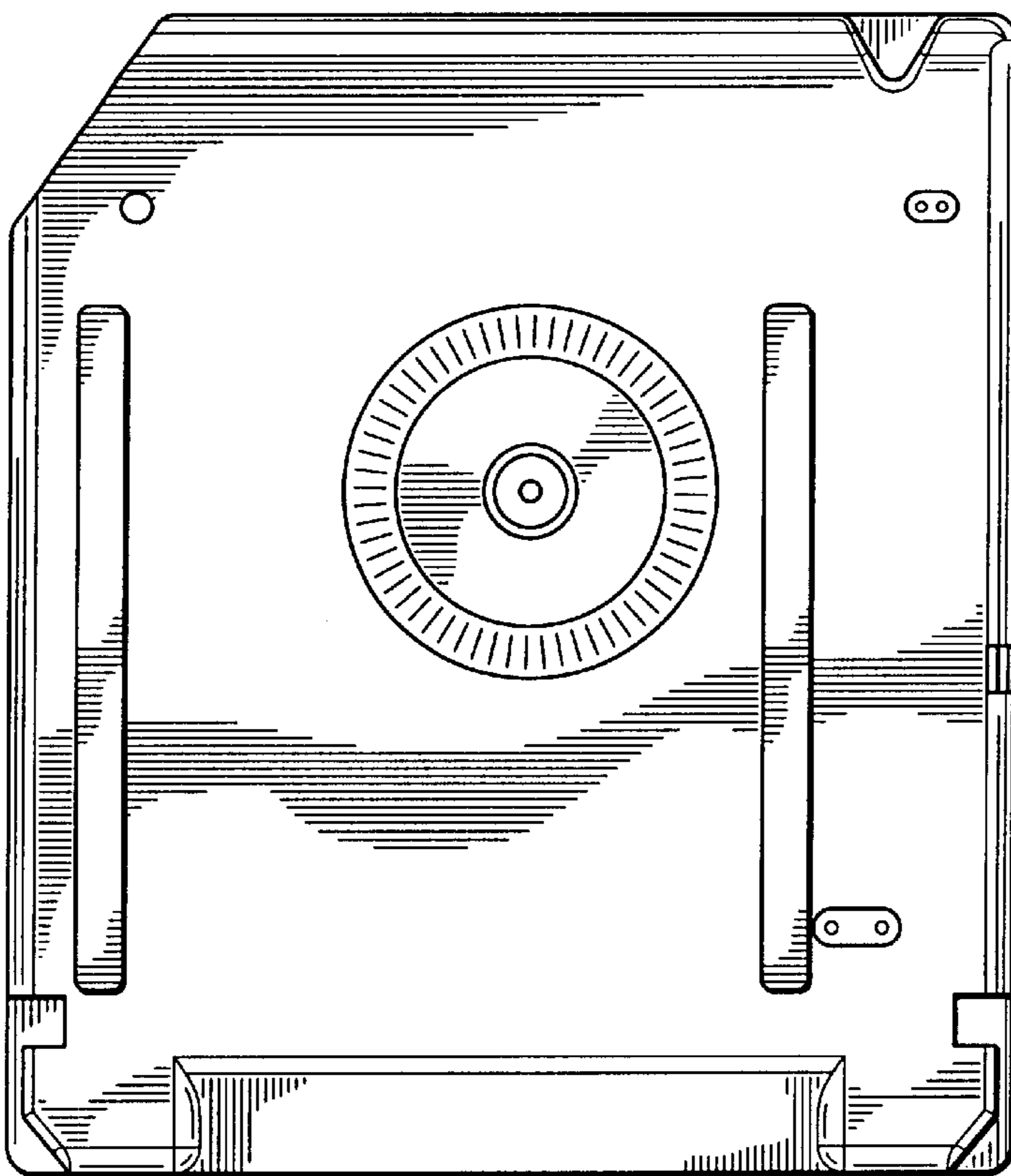


FIG. 8

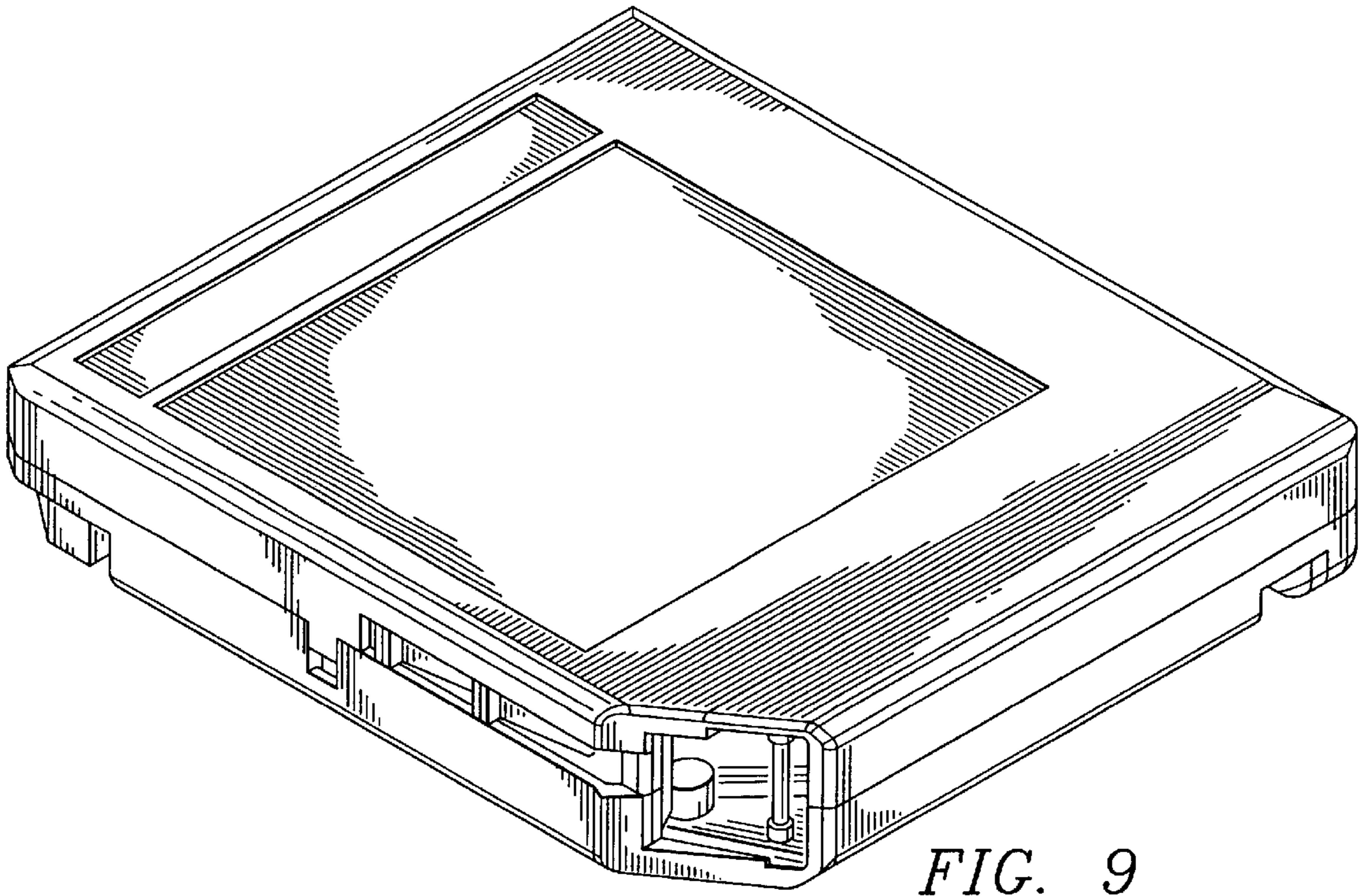


FIG. 9



FIG. 10