



US00D470493S

(12) **United States Design Patent**
Tritschler et al.

(10) **Patent No.:** **US D470,493 S**

(45) **Date of Patent:** **** Feb. 18, 2003**

(54) **FOLDABLE KEYBOARD**

(75) Inventors: **Keith J. Tritschler**, Dublin (IE);
Jean-Marc Flueckiger, Lausanne (CH);
Denis Pavillard, Renens (CH); **Patrick Monney**, Mex (CH)

(73) Assignee: **Logitech Europe S.A.** (CH)

(**) Term: **14 Years**

(21) Appl. No.: **29/157,054**

(22) Filed: **Mar. 11, 2002**

(51) **LOC (7) Cl.** **14-02**

(52) **U.S. Cl.** **D14/393**

(58) **Field of Search** D14/391-393,
D14/396, 320, 247; D18/1, 2, 6, 7; 200/5 A,
5 R, 6 A, 6 R; 178/17 A, 17 C; 235/145 A,
145 R; 341/22, 23; 345/160, 168; 400/484-486,
488, 489, 492; 361/680

(56) **References Cited**

U.S. PATENT DOCUMENTS

D324,035 S * 2/1992 Izaki D14/320
5,457,453 A * 10/1995 Chiu et al. 341/22

5,712,760 A * 1/1998 Coulon et al. 361/680
D420,655 S * 2/2000 Louis et al. D14/396
6,088,220 A * 7/2000 Katz 361/680
D443,598 S * 6/2001 Katz D14/396
D448,032 S * 9/2001 Talley D14/396

* cited by examiner

Primary Examiner—Freda Nunn

(74) *Attorney, Agent, or Firm*—Townsend and Townsend and Crew LLP

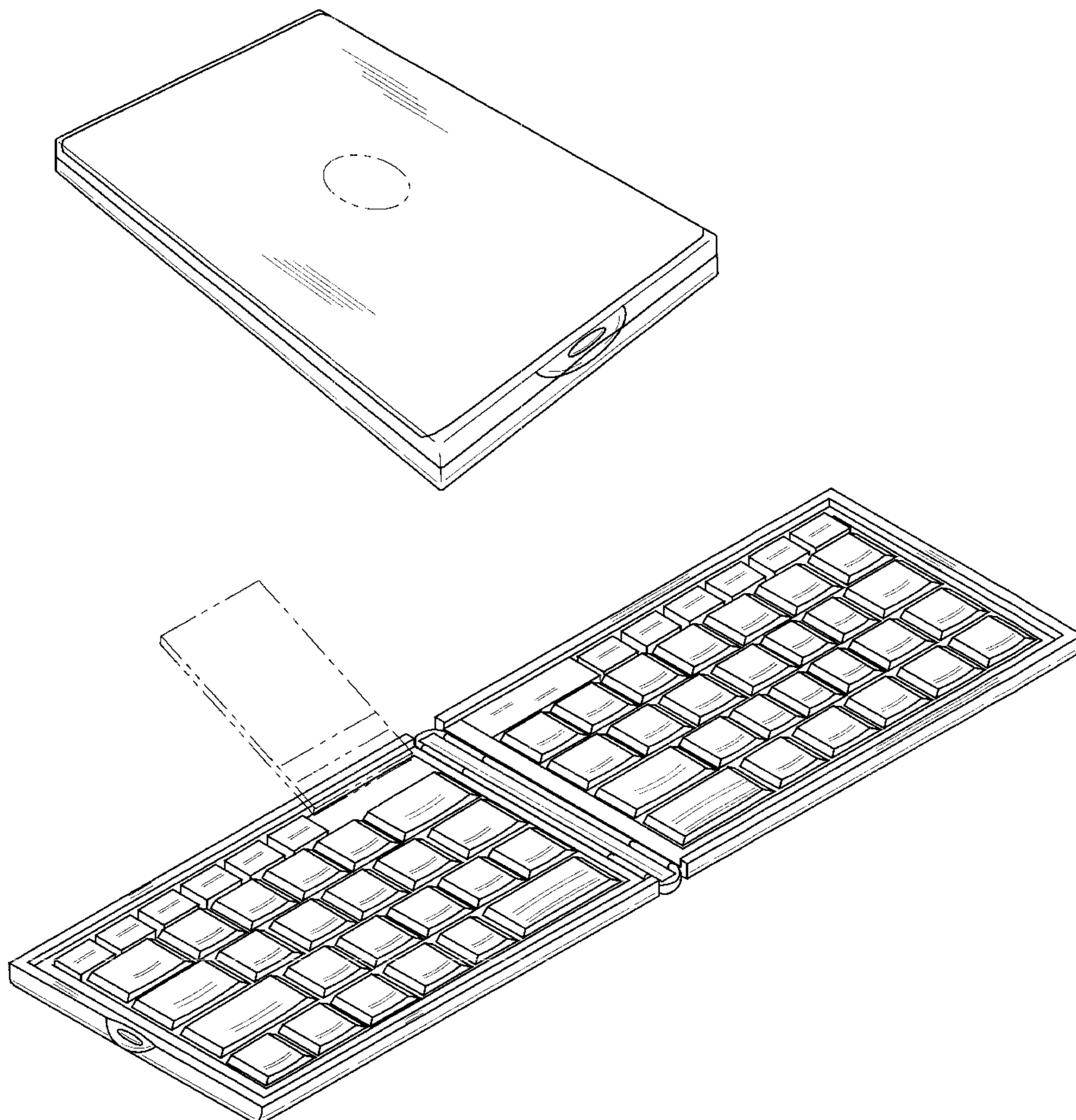
(57) **CLAIM**

The ornamental design for a foldable keyboard, as shown and described.

DESCRIPTION

FIG. 1 is a perspective view of a foldable keyboard in a closed or folded position showing our new design; FIG. 2 is a perspective view of the foldable keyboard in an open or unfolded position; FIG. 3 is a top plan view thereof; and, FIG. 4 is a bottom plan view thereof. The broken lines are shown in the views for illustrative purposes only and form no part of the claimed design.

1 Claim, 4 Drawing Sheets



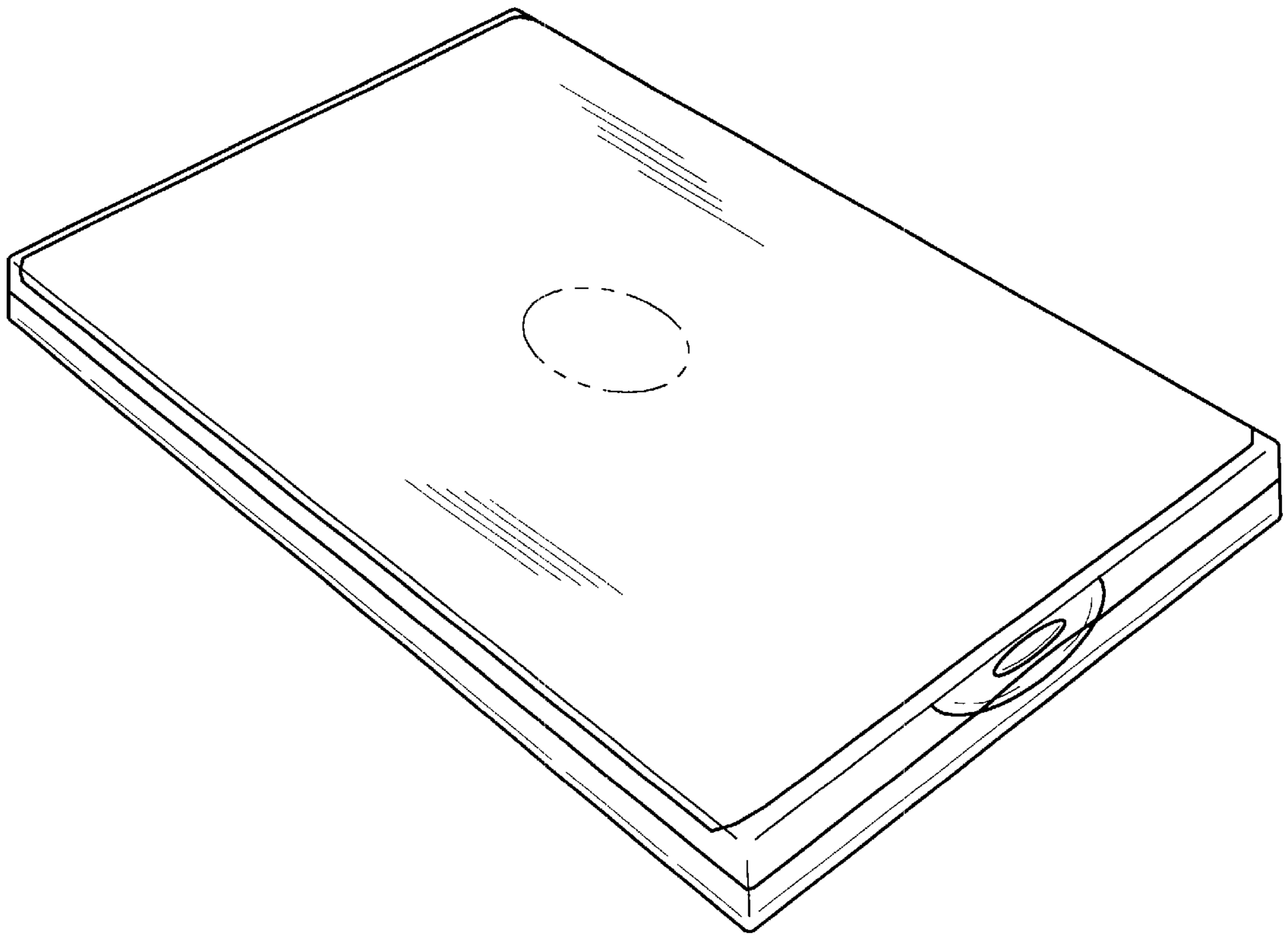


FIG. 1

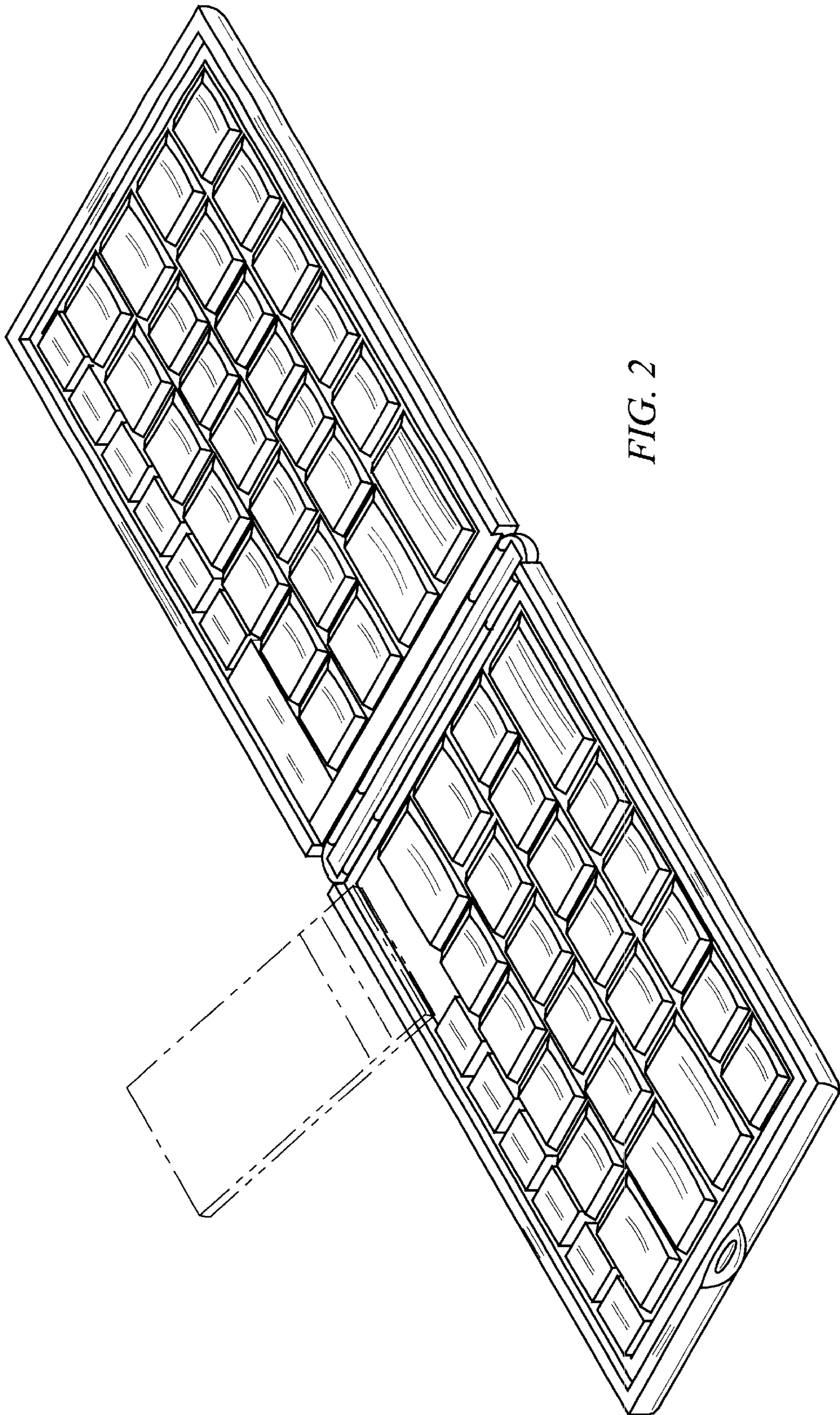


FIG. 2

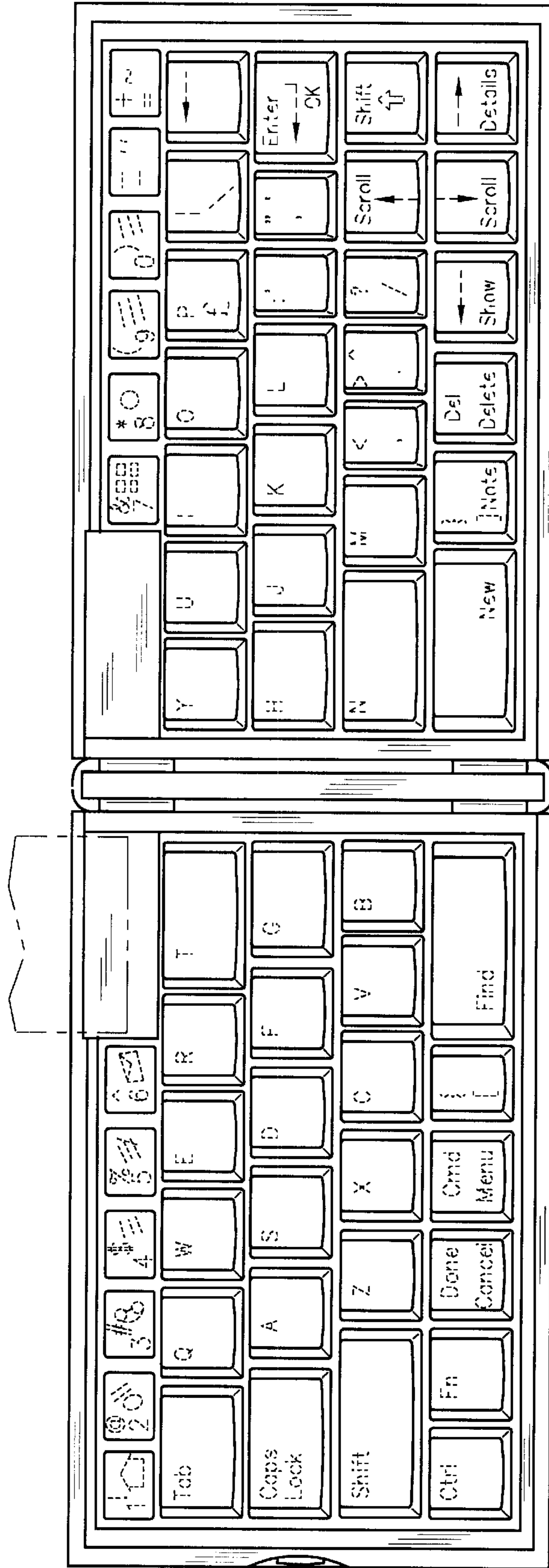


FIG. 3

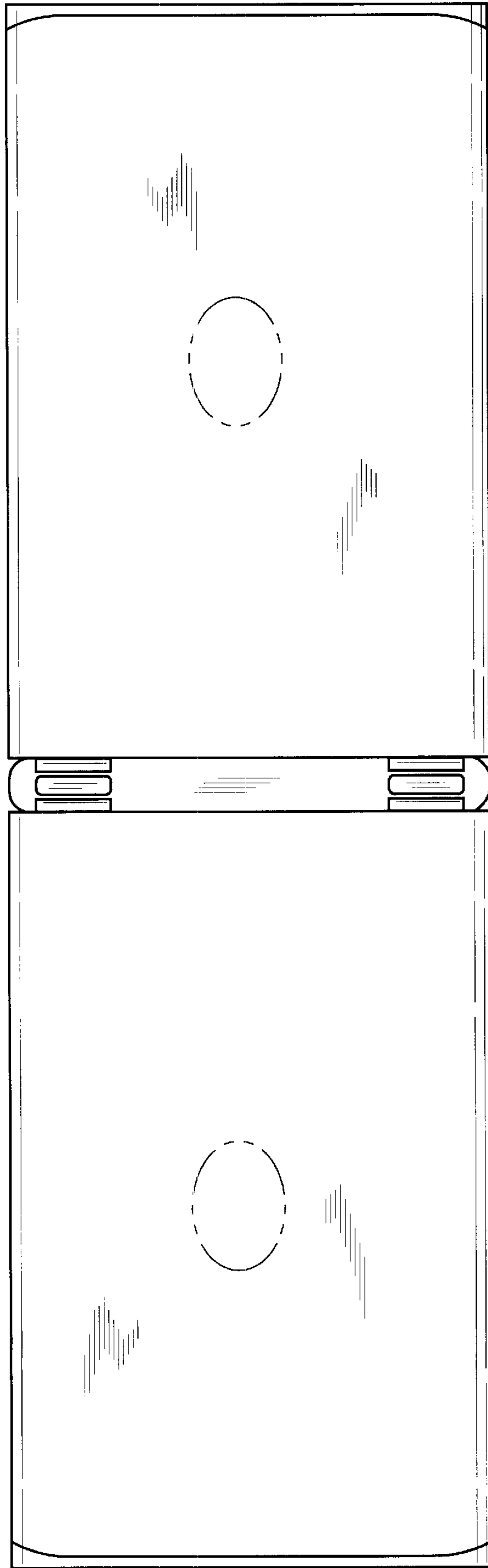


FIG. 4