



US00D470490S

(12) **United States Design Patent**
Lin

(10) **Patent No.:** **US D470,490 S**

(45) **Date of Patent:** **** Feb. 18, 2003**

(54) **DISPLAY**

(75) **Inventor:** **Roger Lin, Taipei (TW)**

(73) **Assignee:** **HannStar Display Corp., Taipei (TW)**

(**) **Term:** **14 Years**

(21) **Appl. No.:** **29/162,428**

(22) **Filed:** **Jun. 13, 2002**

(30) **Foreign Application Priority Data**

May 24, 2002 (TW) 91302574

(51) **LOC (7) Cl.** **14-02**

(52) **U.S. Cl.** **D14/375**

(58) **Field of Search** D14/125-130,
D14/371, 374-376; D16/227; D21/328,
329, 333, 313, 314; 341/12; 345/104, 156,
168, 173, 87; 348/180, 184, 325, 739; 349/1,
2, 11, 62; 248/918-924; 40/594

(56) **References Cited**

U.S. PATENT DOCUMENTS

D221,968 S * 9/1971 Fieldhouse D21/329

D398,659 S * 9/1998 Yokoi D21/333
D434,399 S * 11/2000 Lanet D14/130
D453,511 S * 2/2002 Goto D14/371

* cited by examiner

Primary Examiner—Freda Nunn

(74) *Attorney, Agent, or Firm*—Merchant & Gould; Tim Tingkang Xia

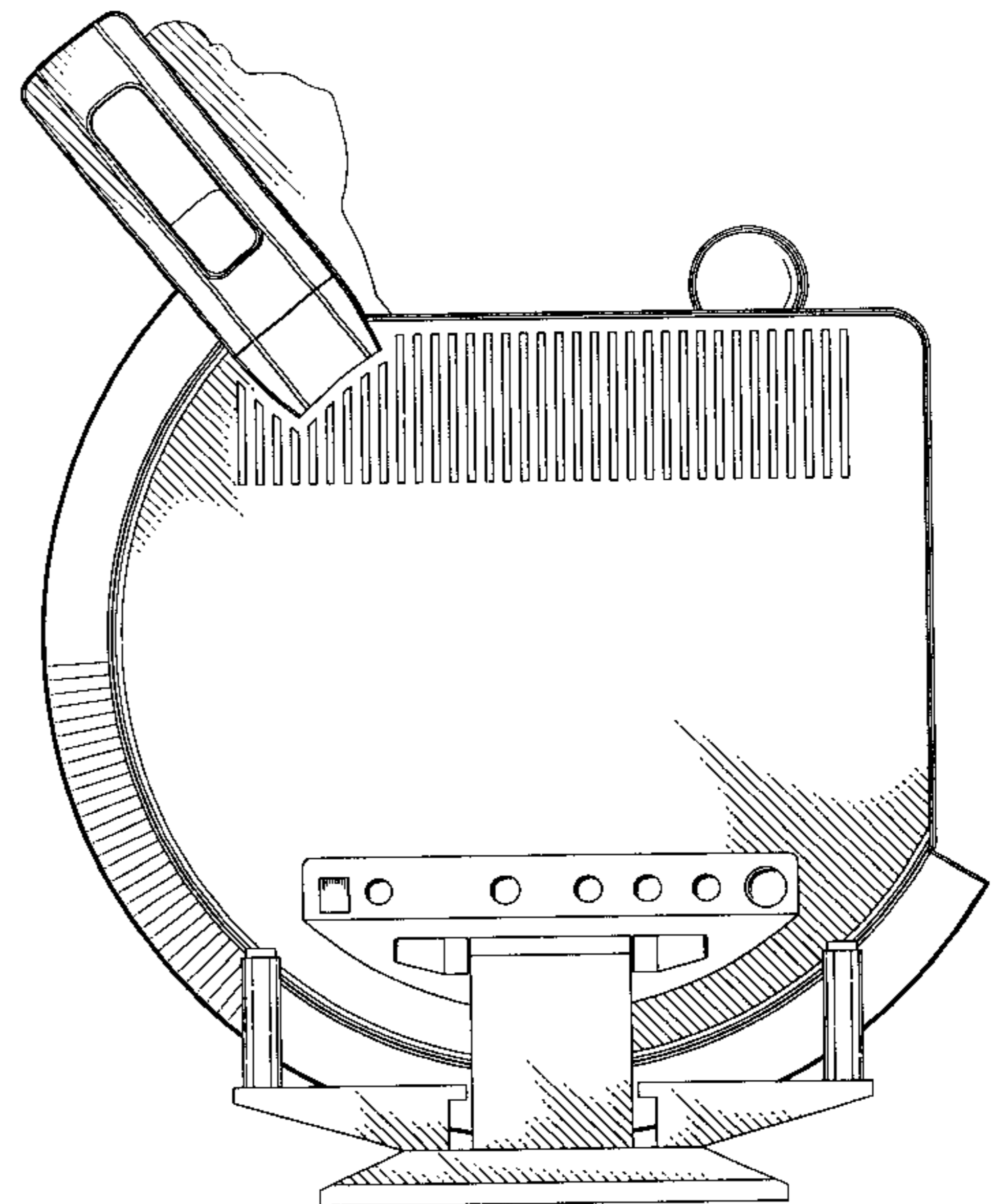
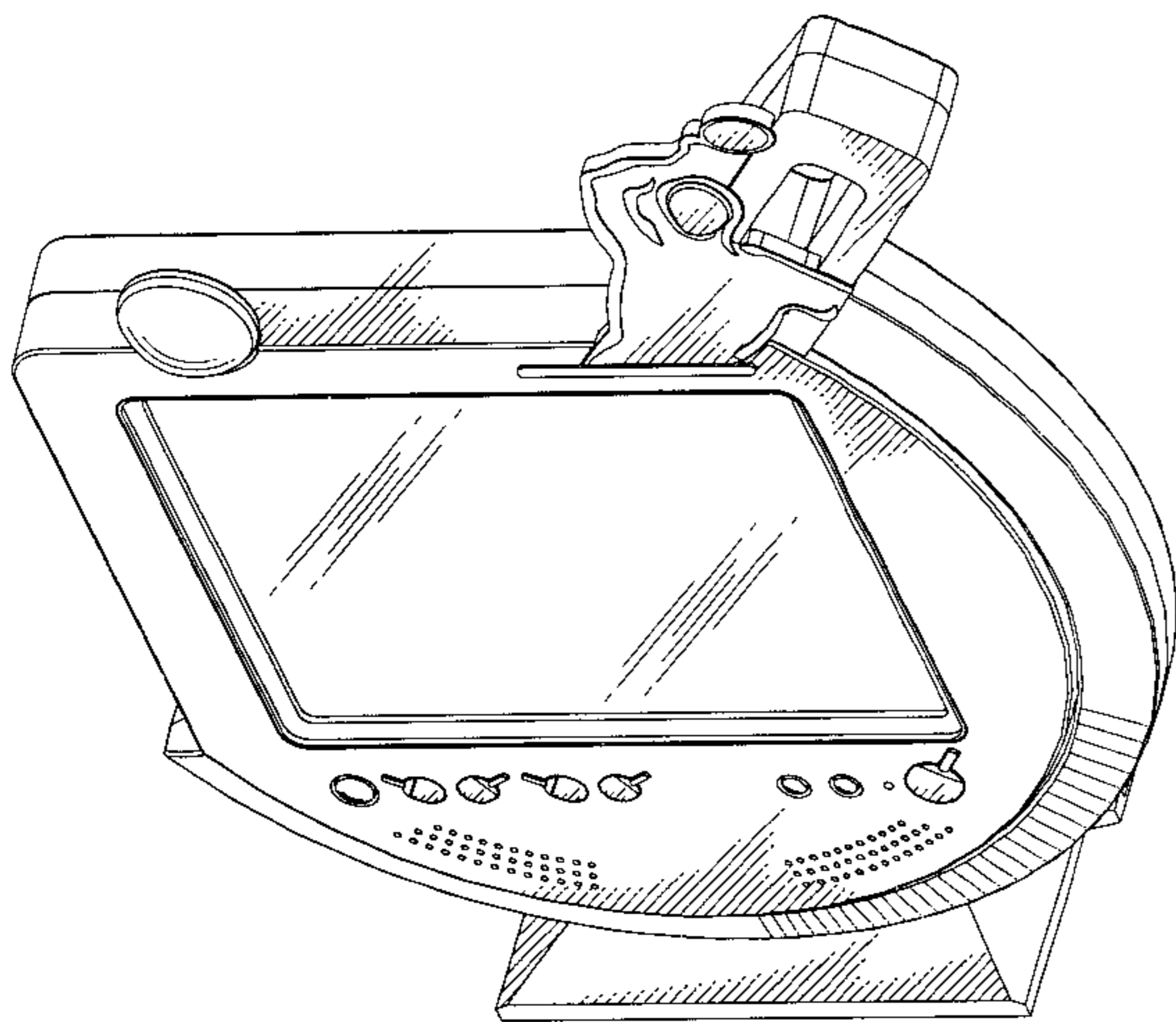
(57) **CLAIM**

The ornamental design for a display, as shown and described.

DESCRIPTION

FIG. 1 is a front perspective view thereof;
FIG. 2 is a right side elevational view thereof;
FIG. 3 is a top plane view thereof;
FIG. 4 is a front elevational view thereof;
FIG. 5 is a bottom plane view thereof;
FIG. 6 is a left side elevational view thereof; and,
FIG. 7 is a rear elevational view thereof.

1 Claim, 7 Drawing Sheets



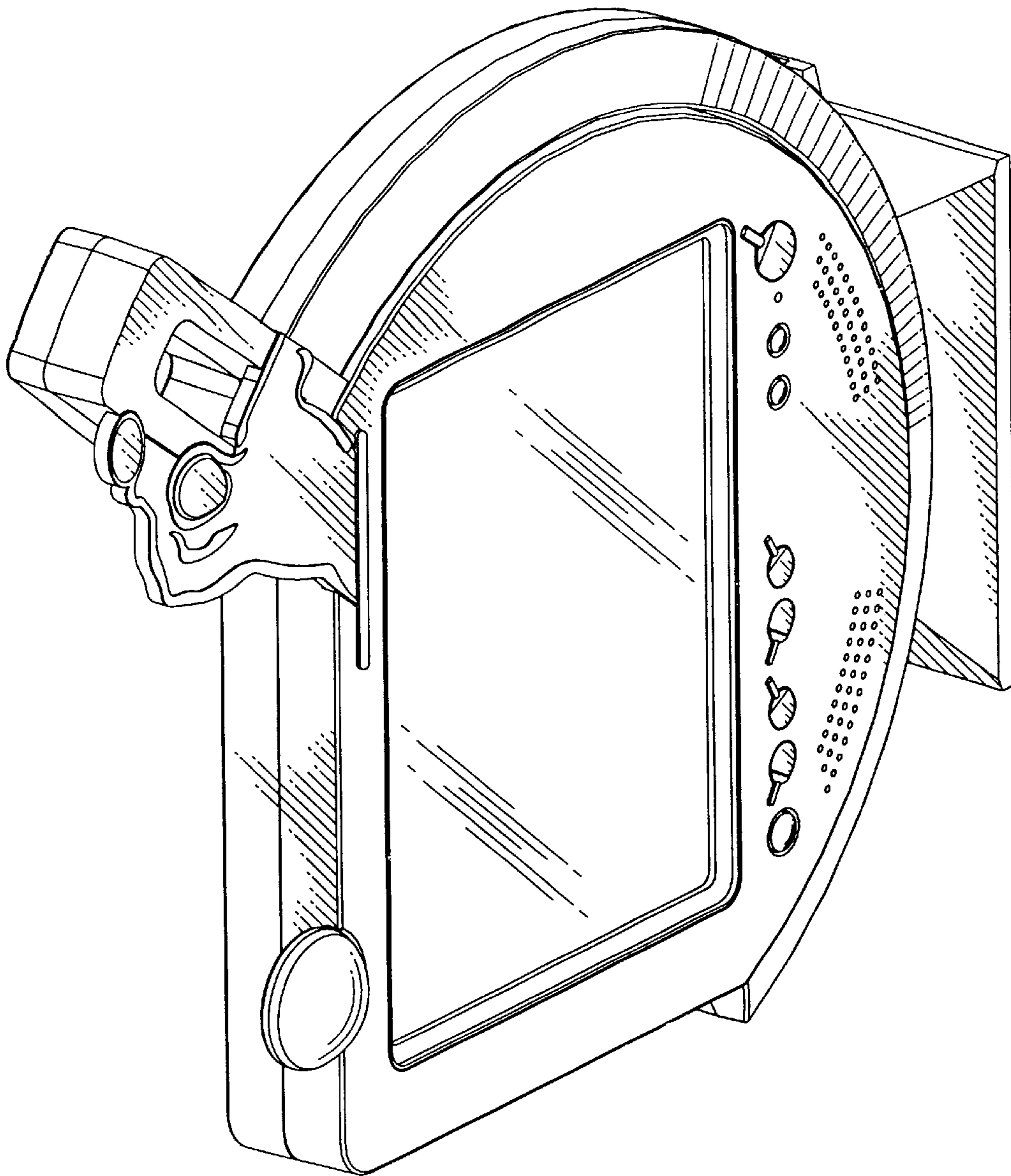


FIG. 1

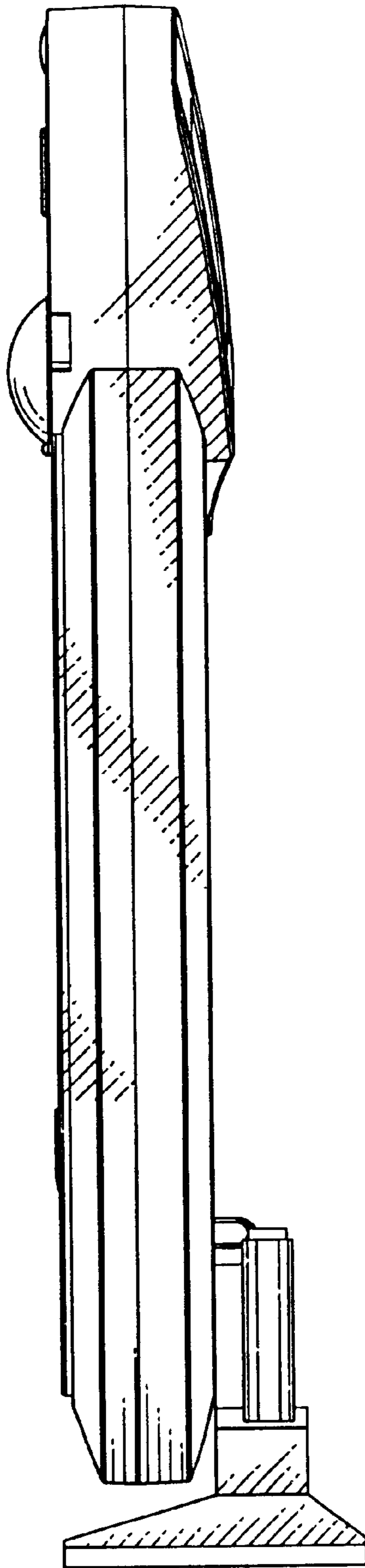


FIG. 2

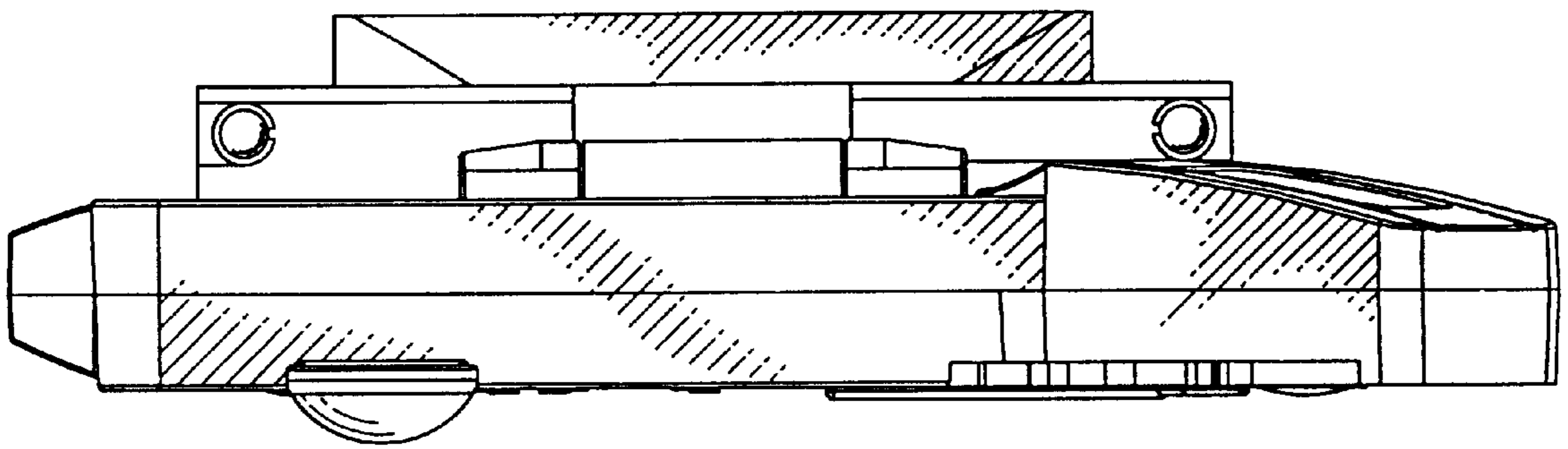


FIG. 3

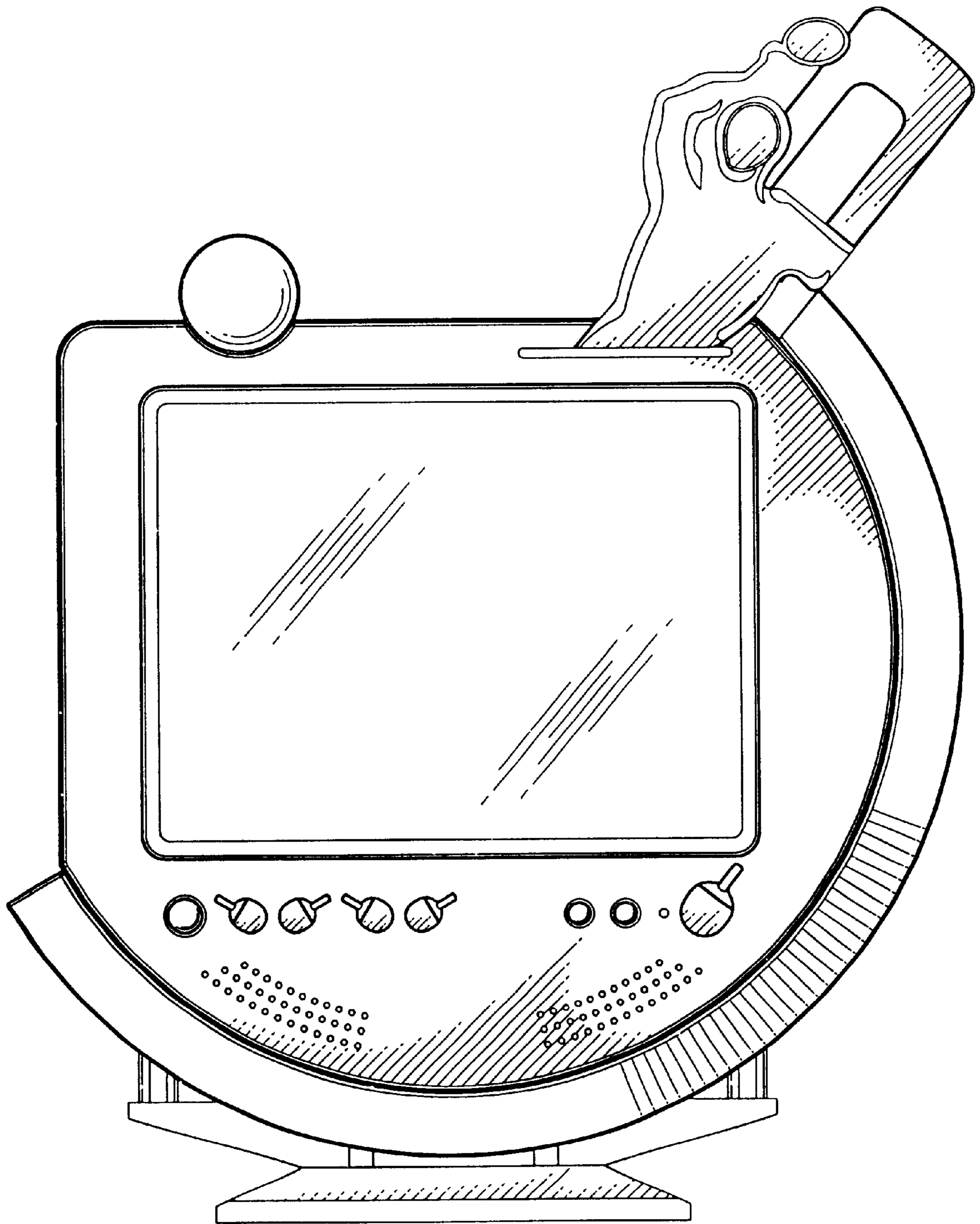


FIG. 4

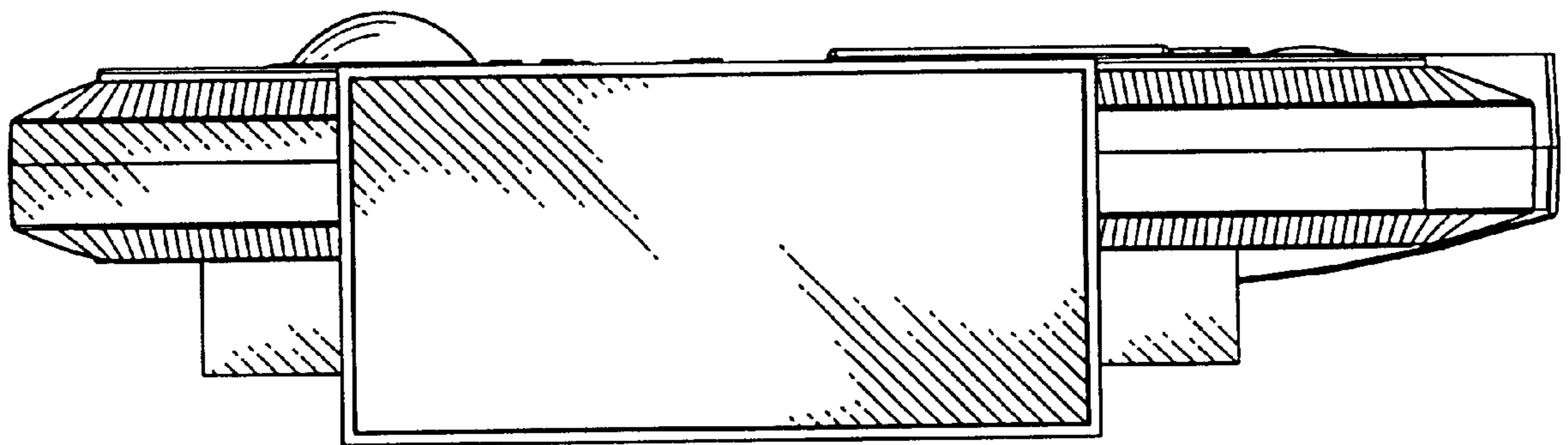


FIG. 5

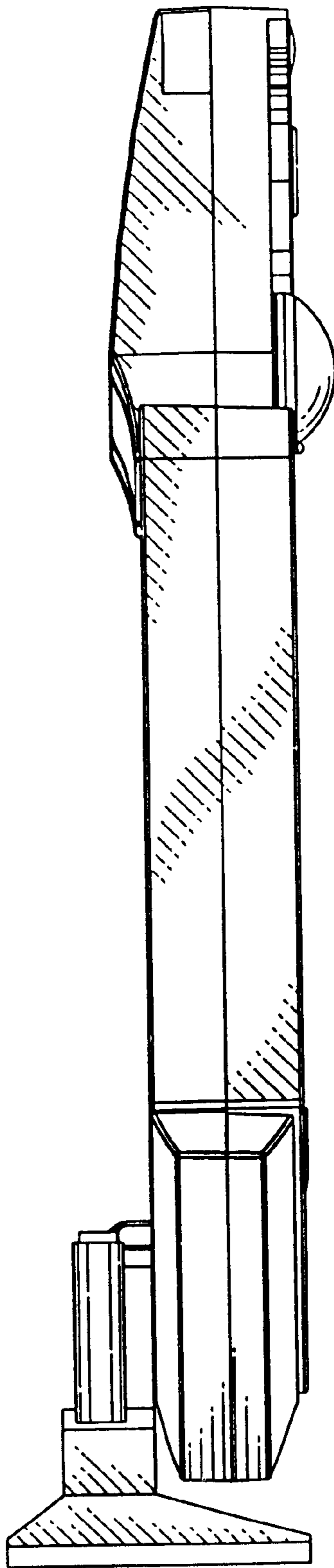


FIG. 6

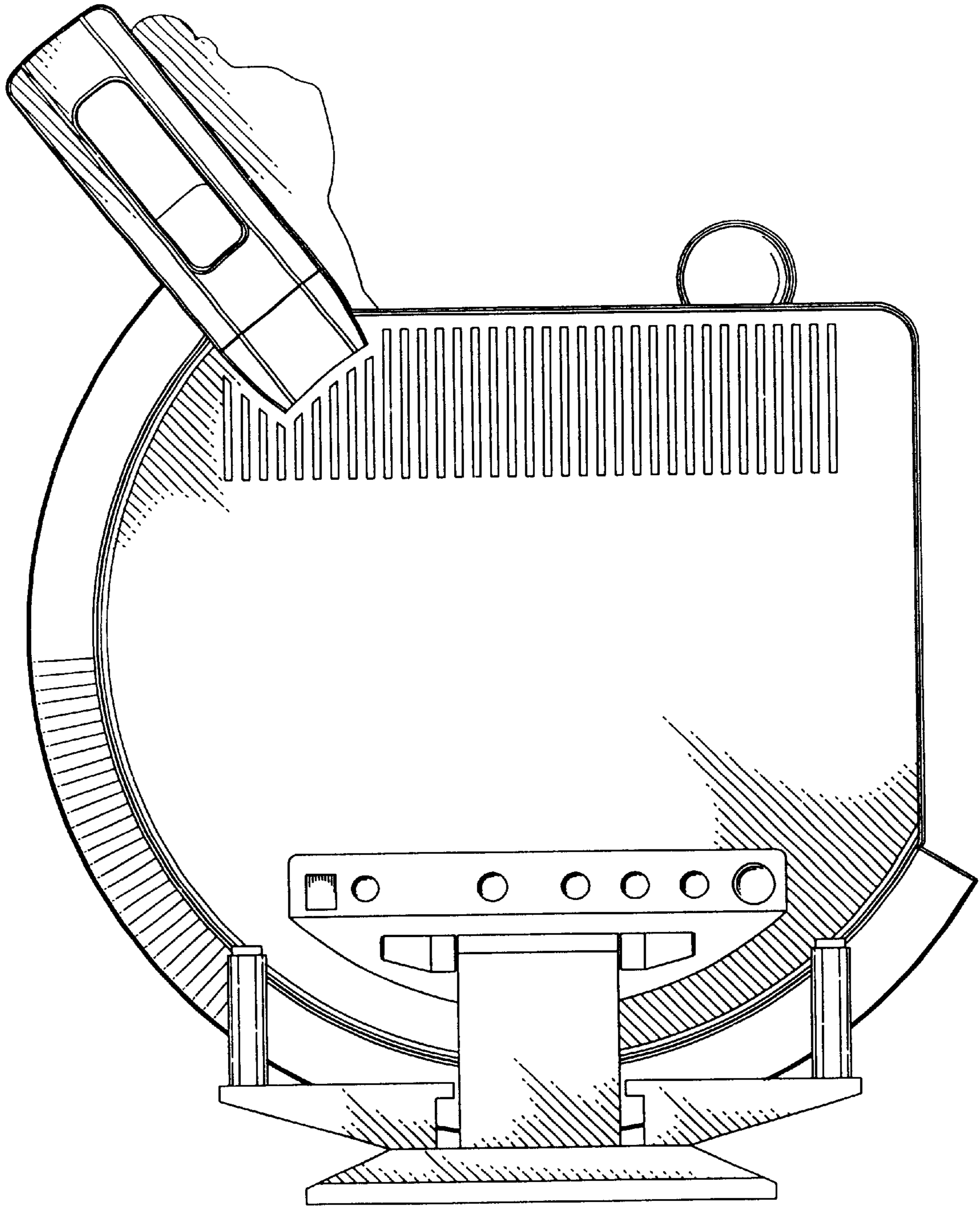


FIG. 7