



US00D470489S

(12) **United States Design Patent**  
**Lin**

(10) **Patent No.:** **US D470,489 S**

(45) **Date of Patent:** **\*\* Feb. 18, 2003**

(54) **LCD DISPLAY**

D452,500 S \* 12/2001 Wu ..... D14/375  
D453,022 S \* 1/2002 Oba ..... D14/374

(75) Inventor: **Roger Lin**, Taipei (TW)

\* cited by examiner

(73) Assignee: **HannStar Display Corp.**, Taipei (TW)

*Primary Examiner*—Freda Nunn

(\*\*) Term: **14 Years**

(74) *Attorney, Agent, or Firm*—Merchant & Gould; Tim Tingkang Xia

(21) Appl. No.: **29/161,144**

(57) **CLAIM**

(22) Filed: **May 23, 2002**

The ornamental design for an LCD display, as shown and described.

(51) **LOC (7) Cl.** ..... **14-02**

**DESCRIPTION**

(52) **U.S. Cl.** ..... **D14/375**

(58) **Field of Search** ..... D14/125-130,  
D14/371, 374-376; 341/12; 345/104, 156,  
168, 173, 87; 348/180, 184, 325, 739; 349/1,  
2, 11, 62; 248/918-924

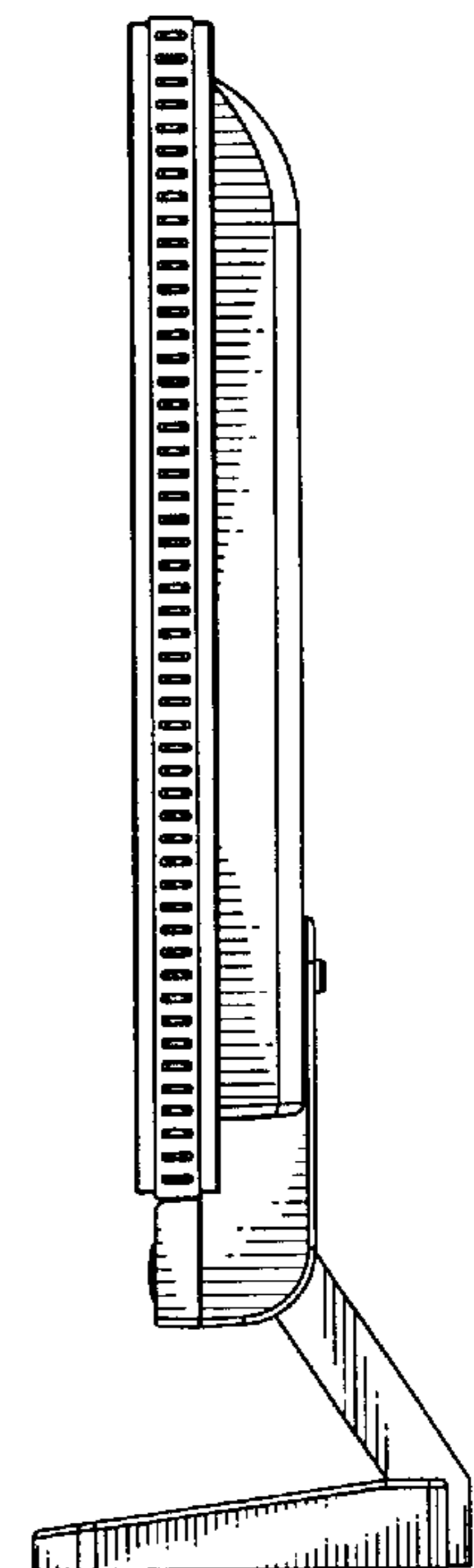
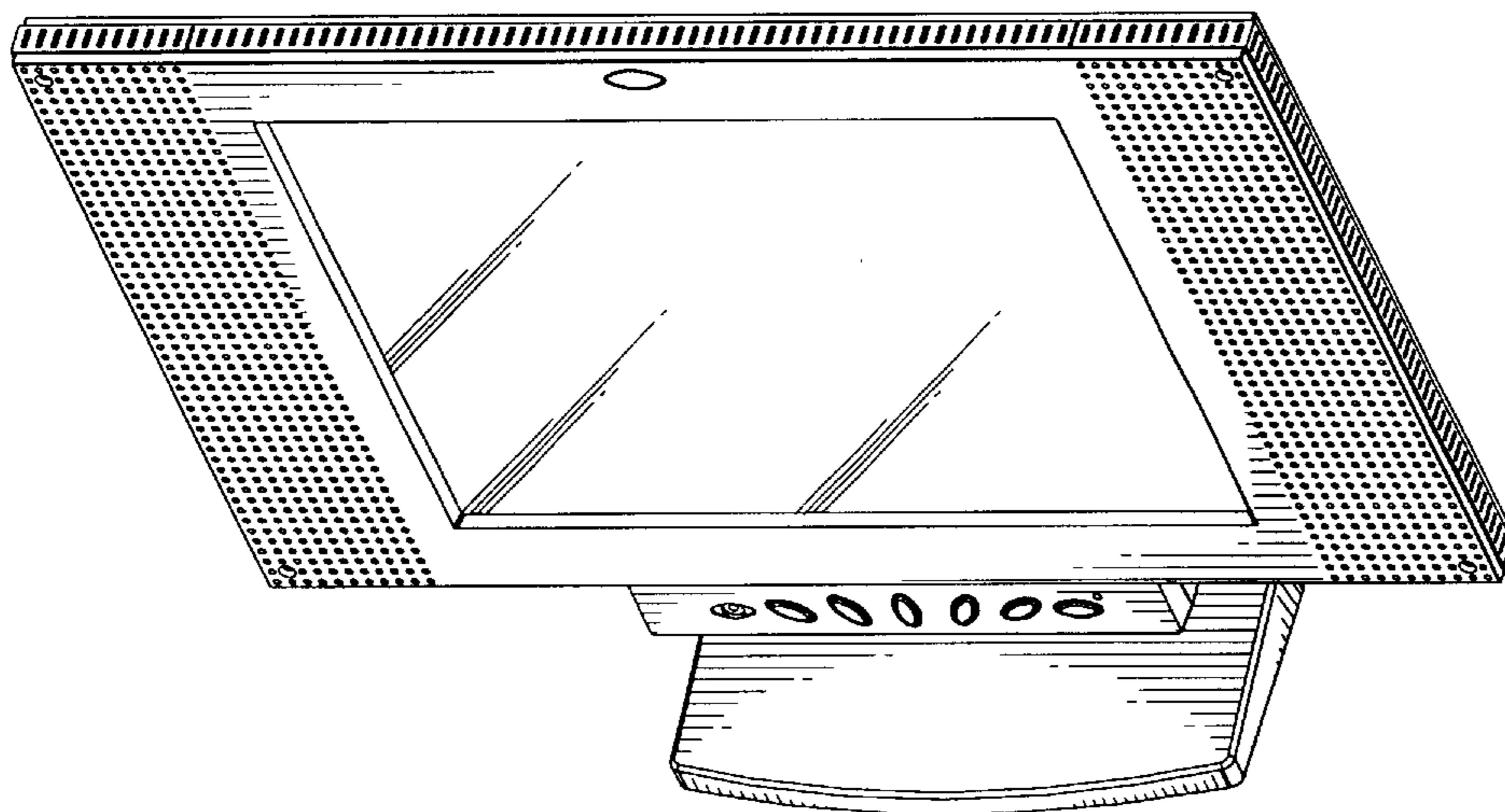
FIG. 1 is a front perspective view thereof;  
FIG. 2 is a right side elevational view thereof;  
FIG. 3 is a top plane view thereof;  
FIG. 4 is a front elevational view thereof;  
FIG. 5 is a bottom plane view thereof;  
FIG. 6 is a left side elevational view thereof; and,  
FIG. 7 is a rear elevational view thereof.

(56) **References Cited**

**U.S. PATENT DOCUMENTS**

D417,659 S \* 12/1999 Takemasa ..... D14/374

**1 Claim, 7 Drawing Sheets**



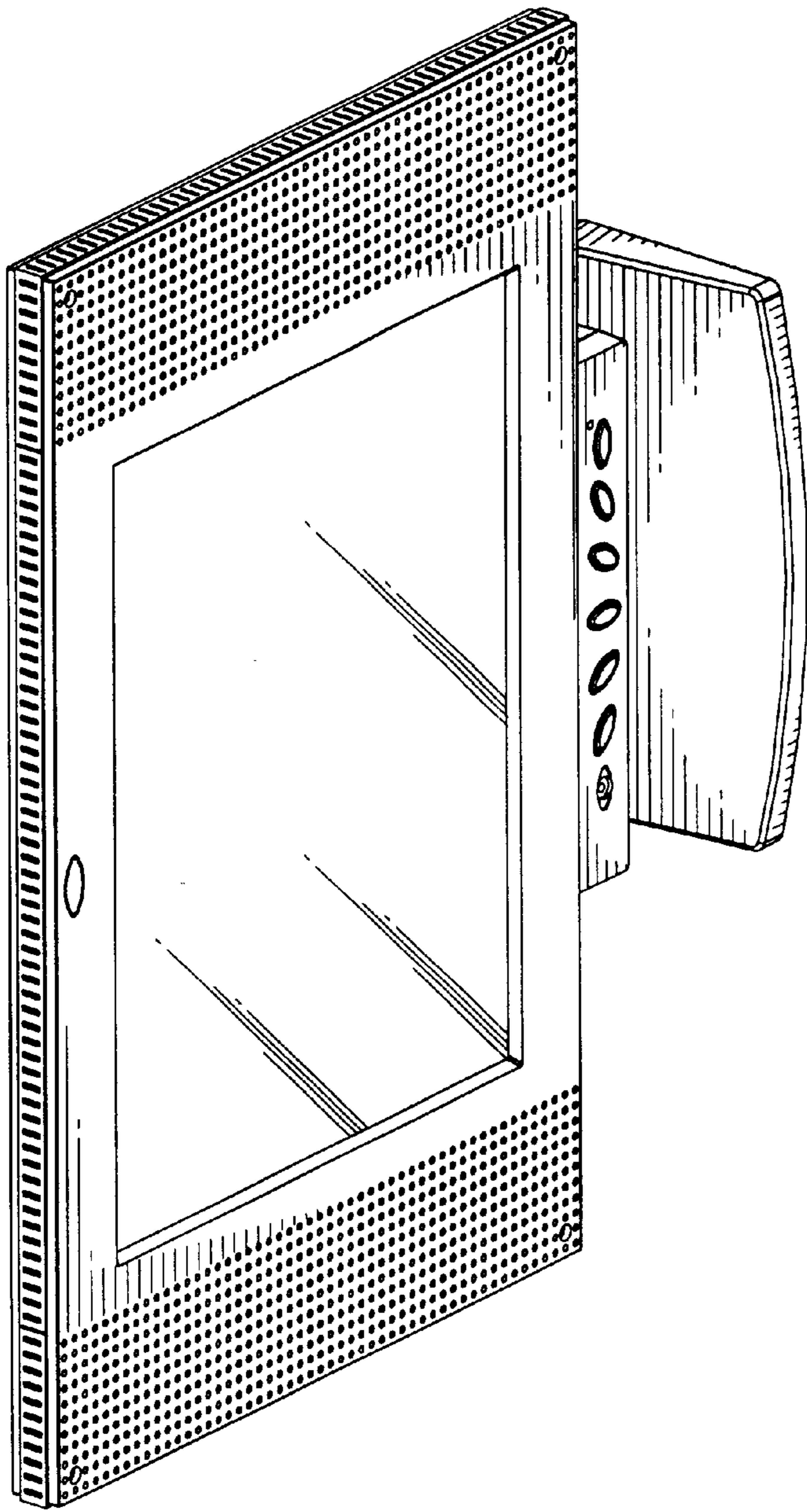


FIG. 1

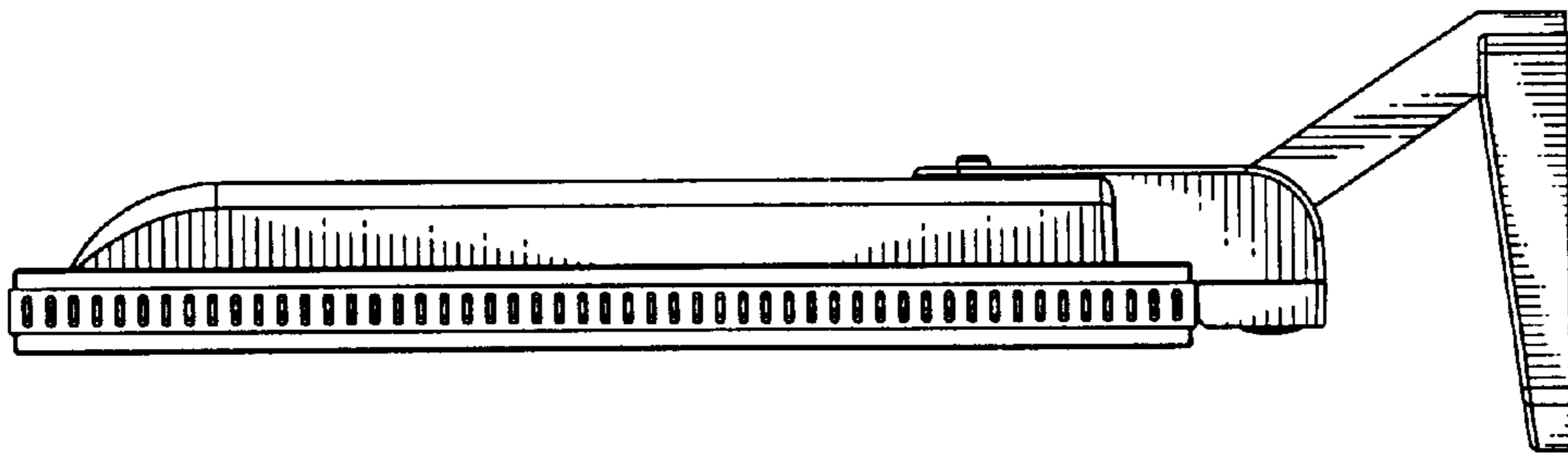


FIG. 2

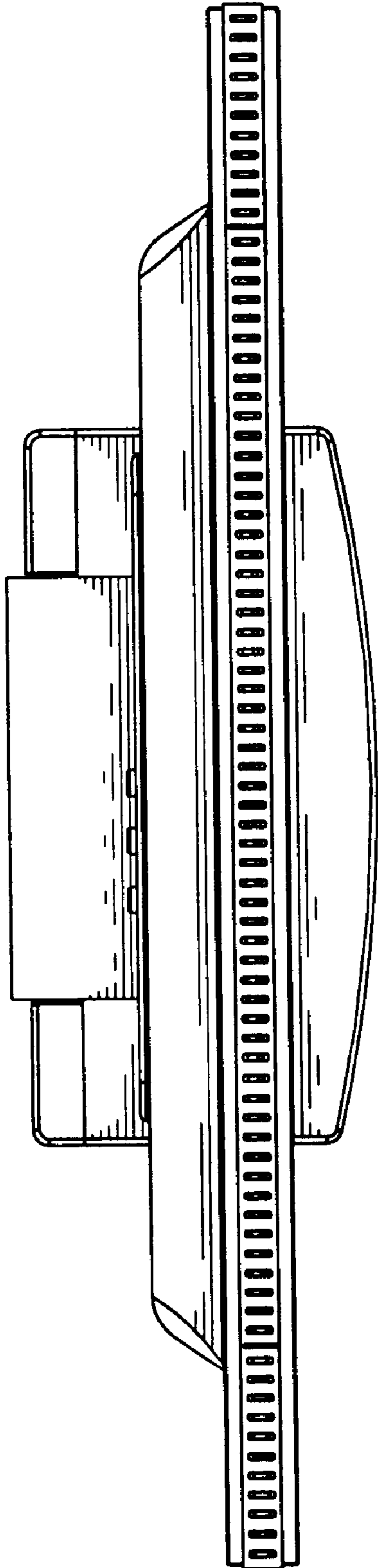


FIG. 3

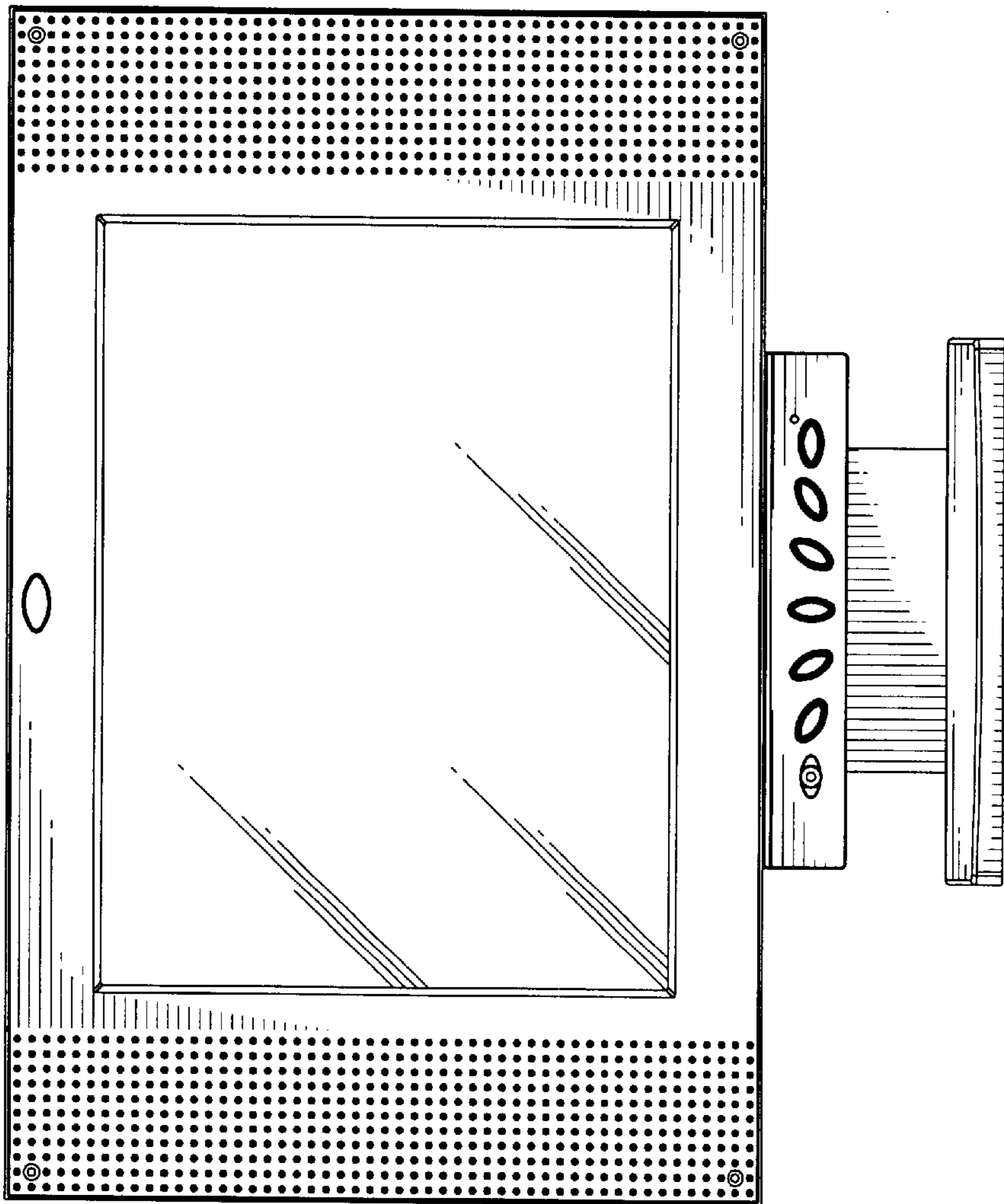


FIG. 4

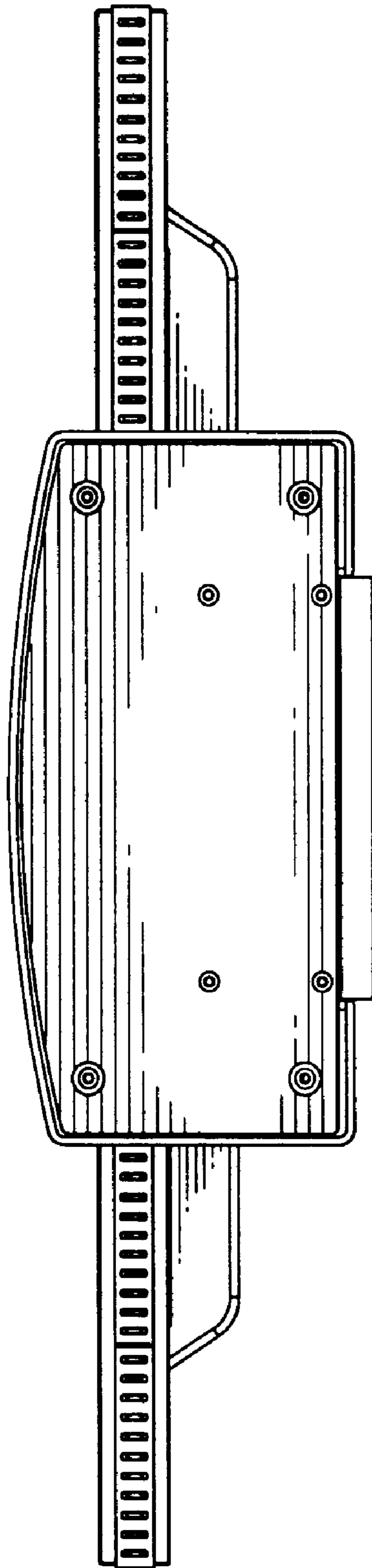


FIG. 5

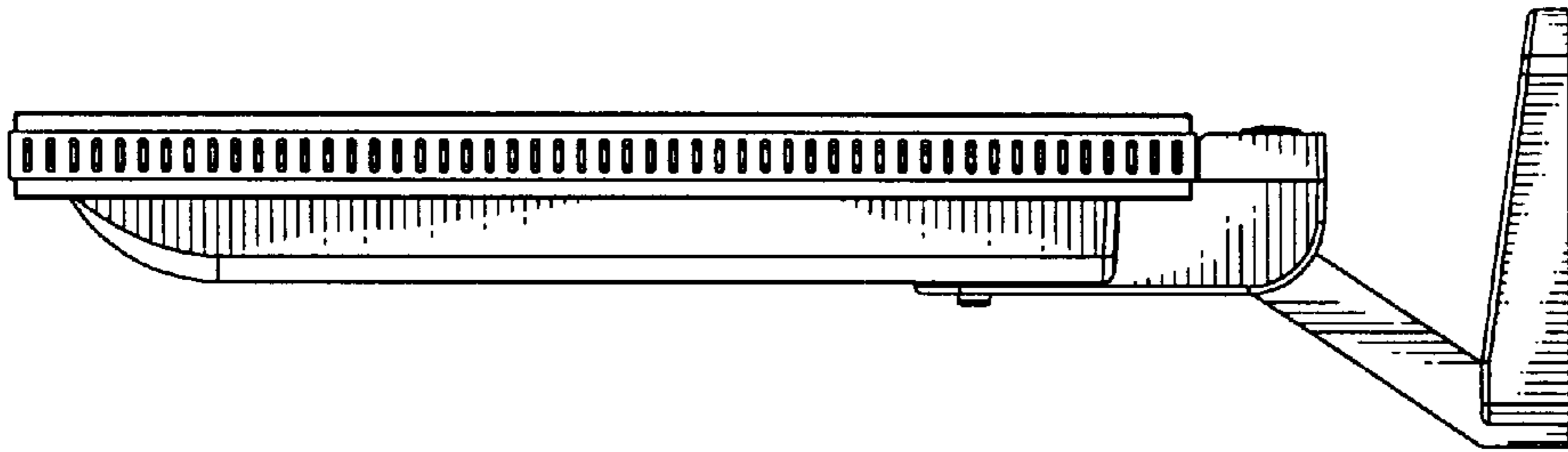


FIG. 6

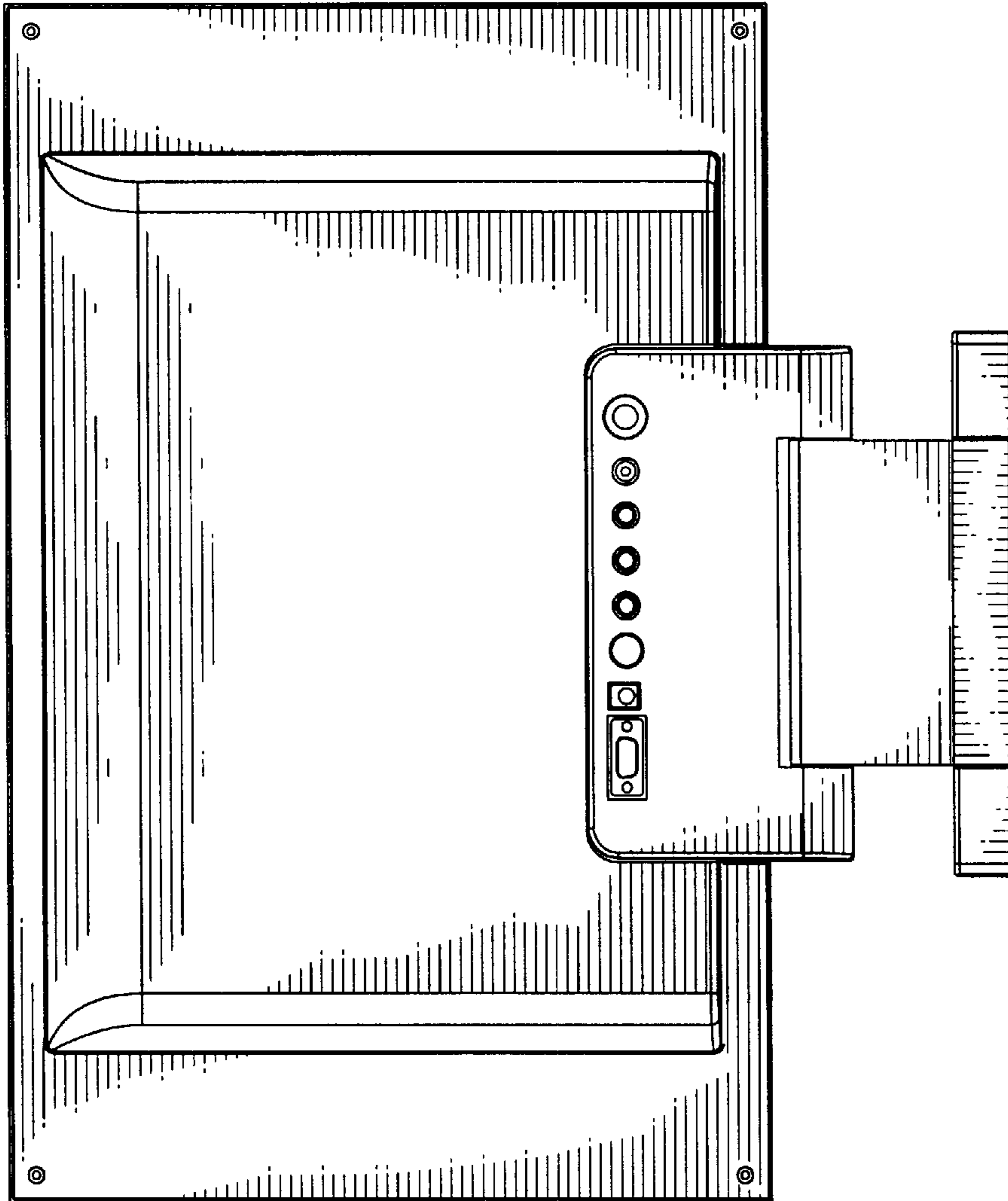


FIG. 7