



US00D470484S

(12) **United States Design Patent**
Storti et al.

(10) **Patent No.:** **US D470,484 S**

(45) **Date of Patent:** **** Feb. 18, 2003**

(54) **FACEPLATE**

(76) Inventors: **William J. Storti**, 31 N. Buck La., Haverford, PA (US) 19041; **Dwight Sakuma**, 31 Vale View Dr., Doylestown, PA (US) 18901; **Paul Ocepek**, 71 Grove St., Norfolk, MA (US) 02056; **John Hausman**, 11123 Corte Mar De Cristal, San Diego, CA (US) 92130; **Bryan Zublin**, 16212 Paragon Mesa Rd., Poway, CA (US) 92064; **Greg McDonald**, 11585 Trailbrush Point, San Diego, CA (US) 92126; **Paul Baker**, 7681 Pipit Pl., San Diego, CA (US) 92129; **Richard Patrick Rementilla**, 2445 Brant St. #610, San Diego, CA (US) 92101

(**) Term: **14 Years**

(21) Appl. No.: **29/147,677**

(22) Filed: **Aug. 31, 2001**

(51) **LOC (7) Cl.** **14-99**

(52) **U.S. Cl.** **D14/257**

(58) **Field of Search** D14/135-136, D14/156-157, 160-164, 167-168, 188, 193-198, 257-258; 369/75.1, 75.2, 77.1, 77.2; 455/344, 347, 350-351

(56) **References Cited**

U.S. PATENT DOCUMENTS

D401,240 S * 11/1998 Mitzier D14/157

D427,989 S * 7/2000 Ito et al. D14/156

D431,542 S * 10/2000 Takahashi D14/156

D436,089 S * 1/2001 Nishiwaki et al. D14/135

* cited by examiner

Primary Examiner—Nanda Bondade

(74) *Attorney, Agent, or Firm*—Volpe and Koenig, P.C.

(57) **CLAIM**

The ornamental design for a faceplate, as shown and described.

DESCRIPTION

FIG. 1 is a perspective view of a faceplate according to our new design;

FIG. 2 is a top plan view of the faceplate of FIG. 1;

FIG. 3 is a left-side elevational view of the faceplate of FIG. 1;

FIG. 4 is a front elevational view of the faceplate of FIG. 1;

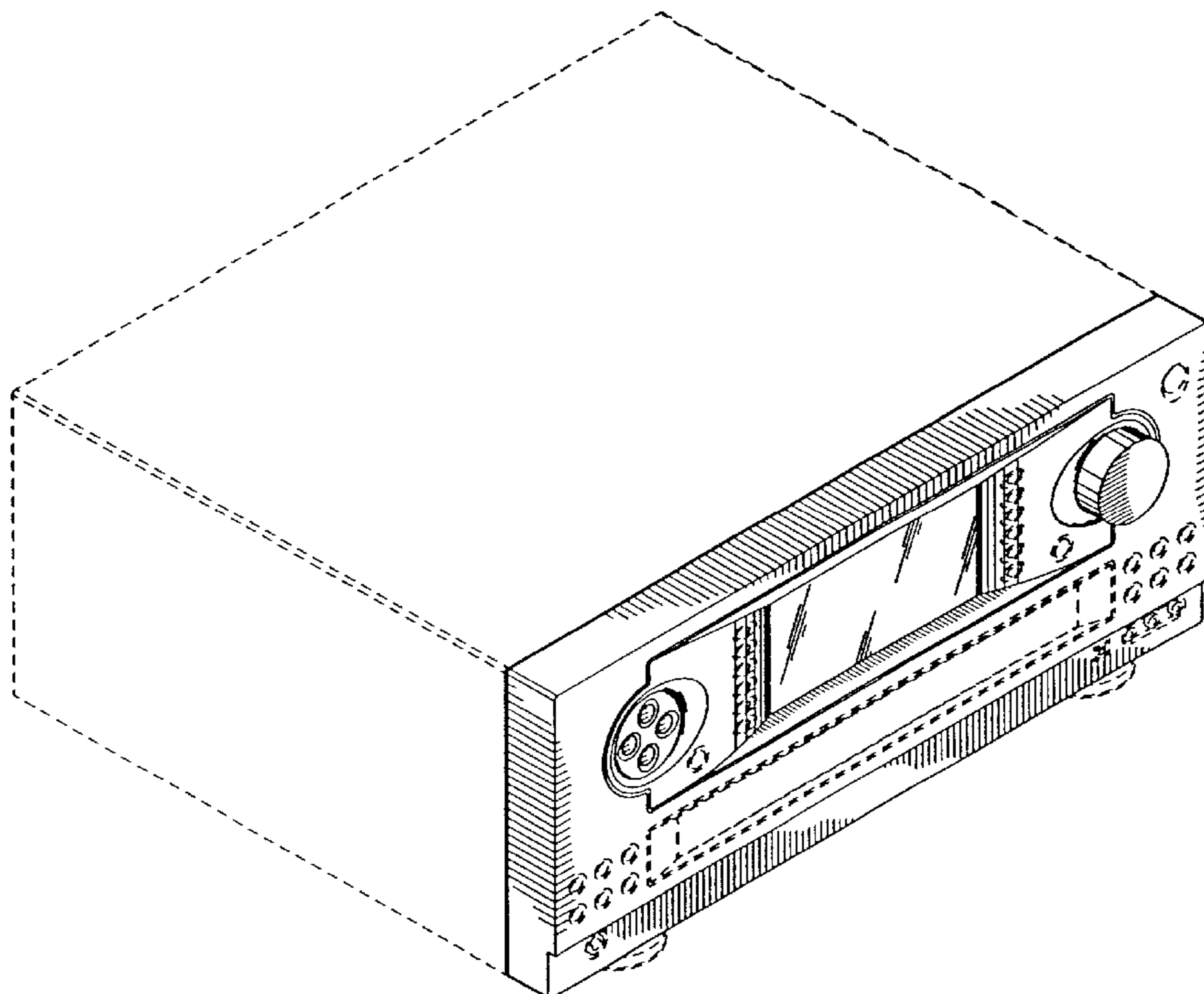
FIG. 5 is a rear elevational view of the faceplate of FIG. 1;

FIG. 6 is a bottom plan view of the faceplate of FIG. 1; and,

FIG. 7 is a right-side elevational view of the faceplate of FIG. 1.

The broken line showing on FIGS. 1-7 is for illustrative purposes only and forms no part of the claimed design.

1 Claim, 3 Drawing Sheets



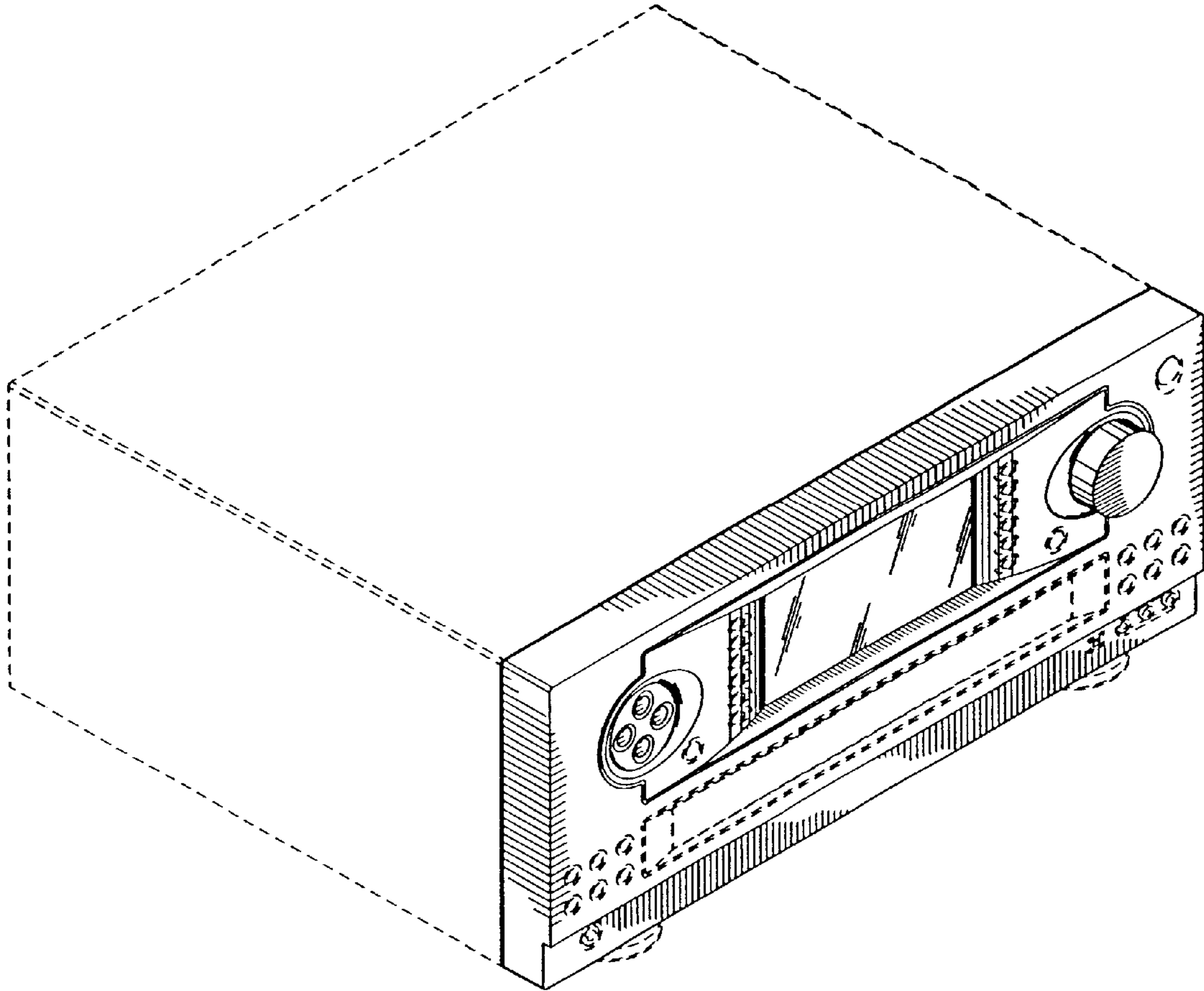


FIG. 1

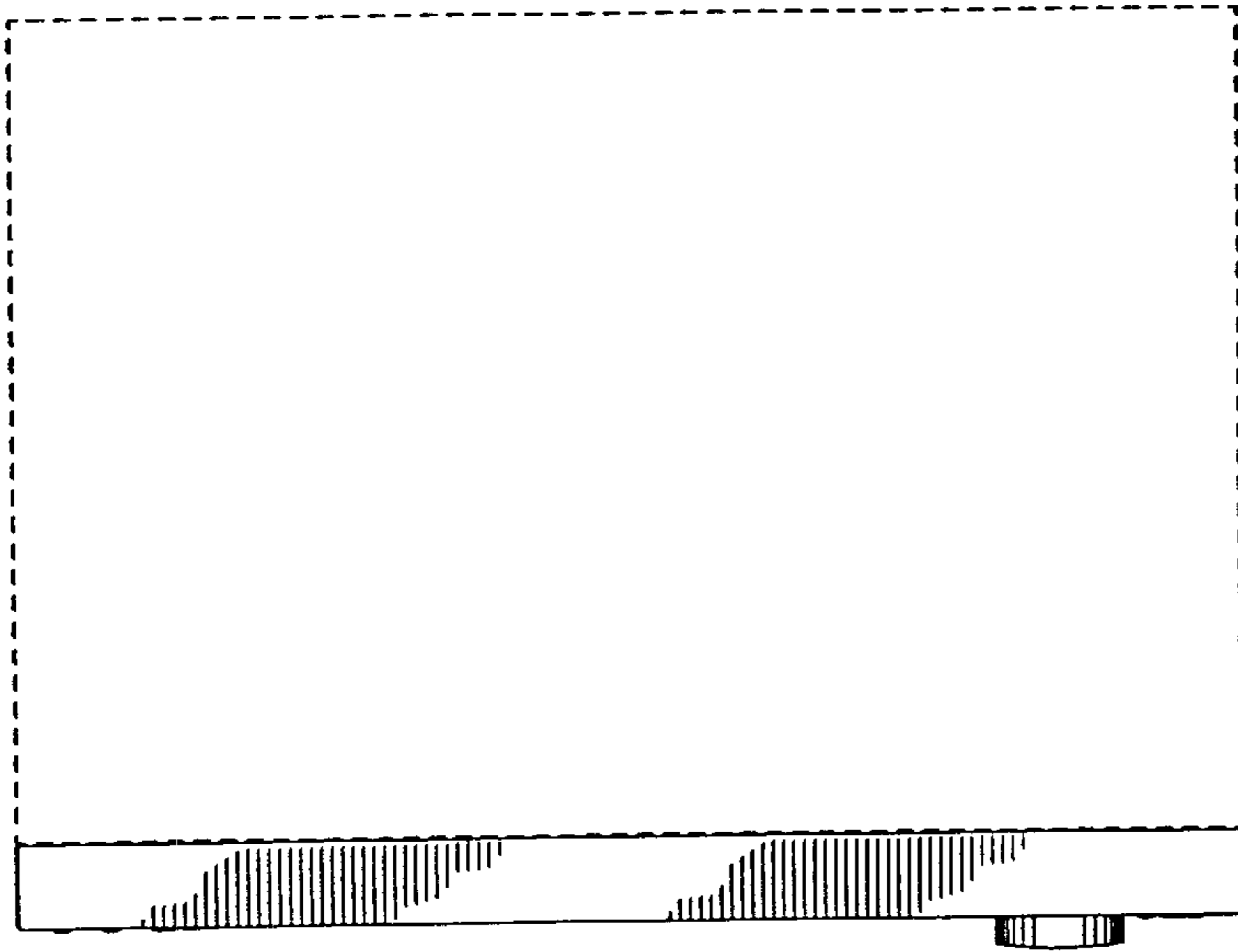


FIG. 2

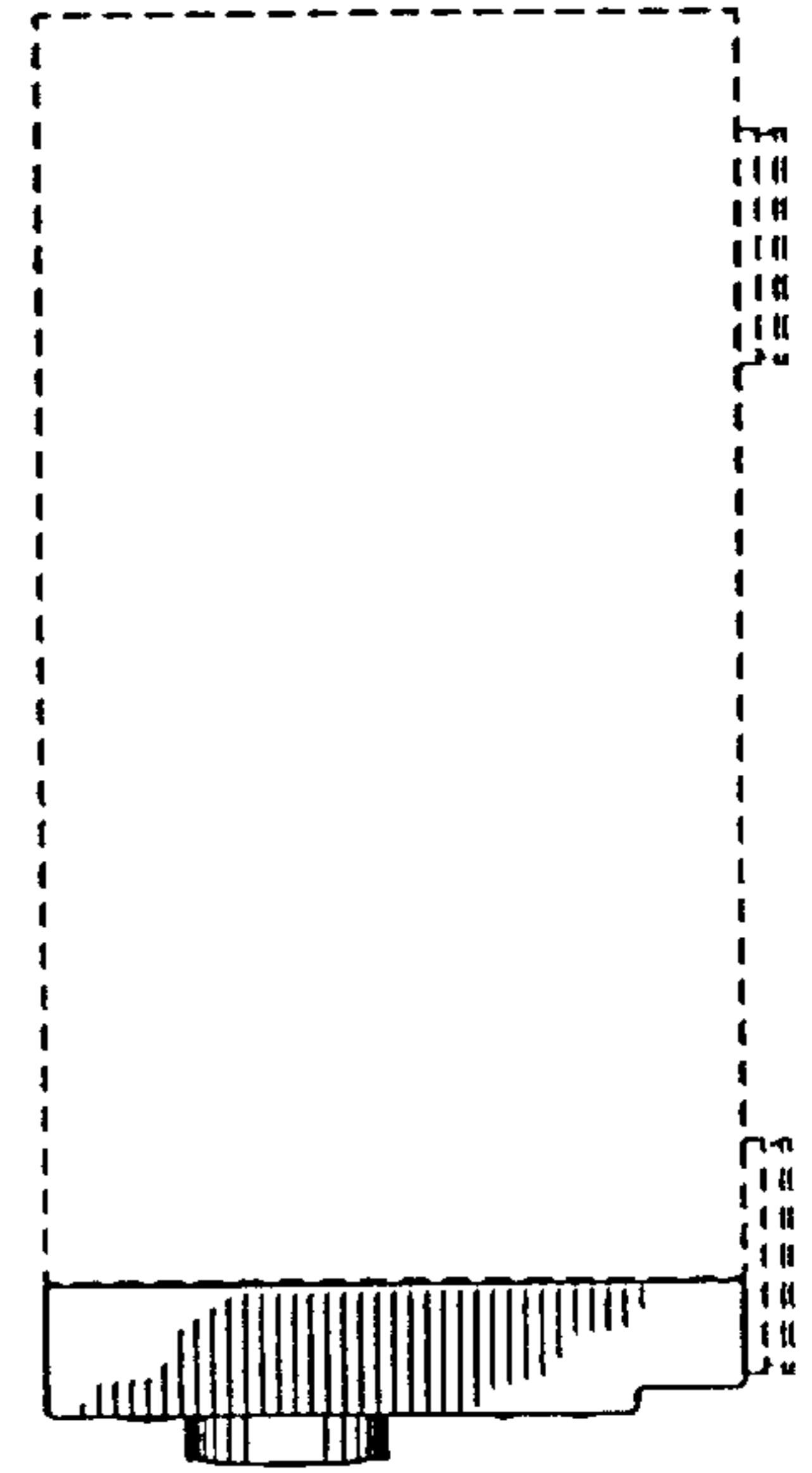


FIG. 3

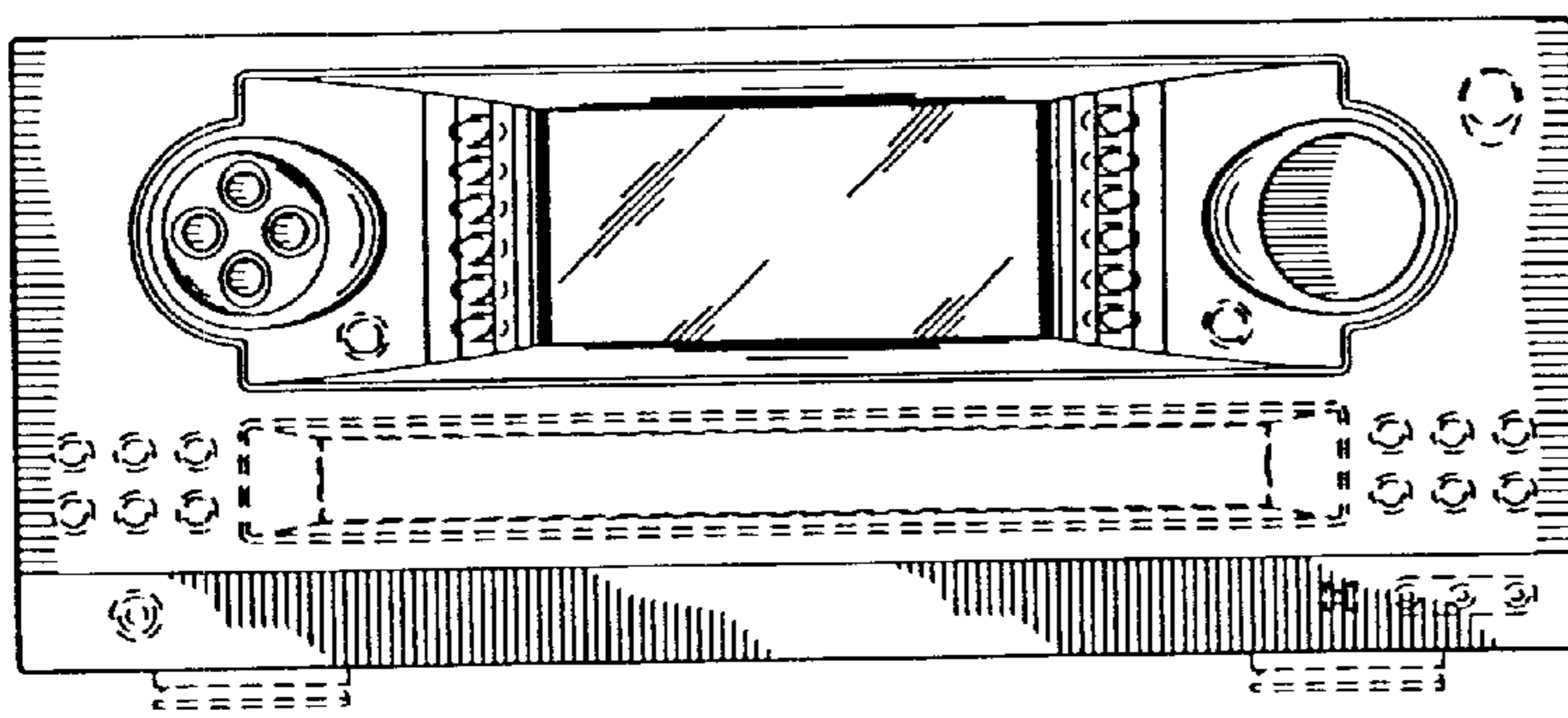


FIG. 4

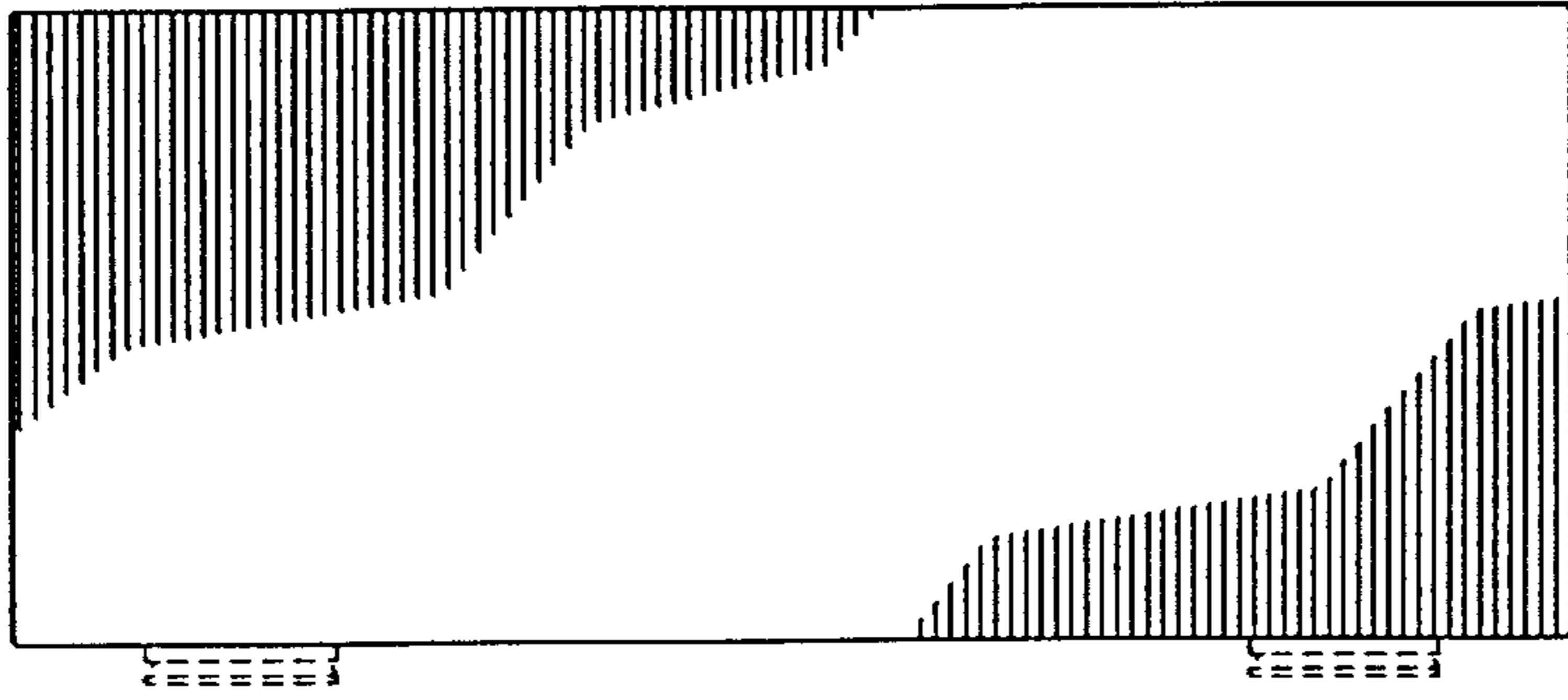


FIG. 5

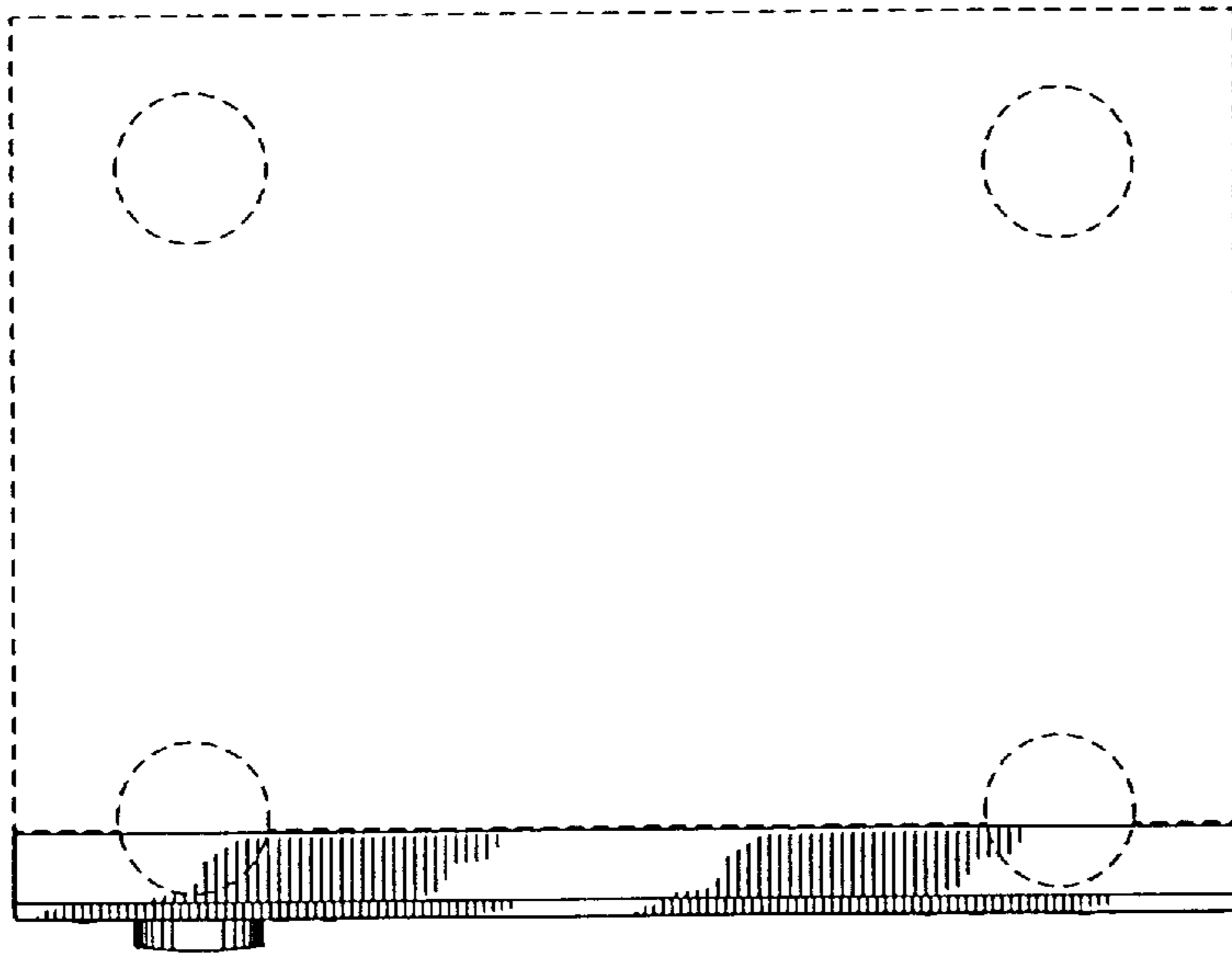


FIG. 6

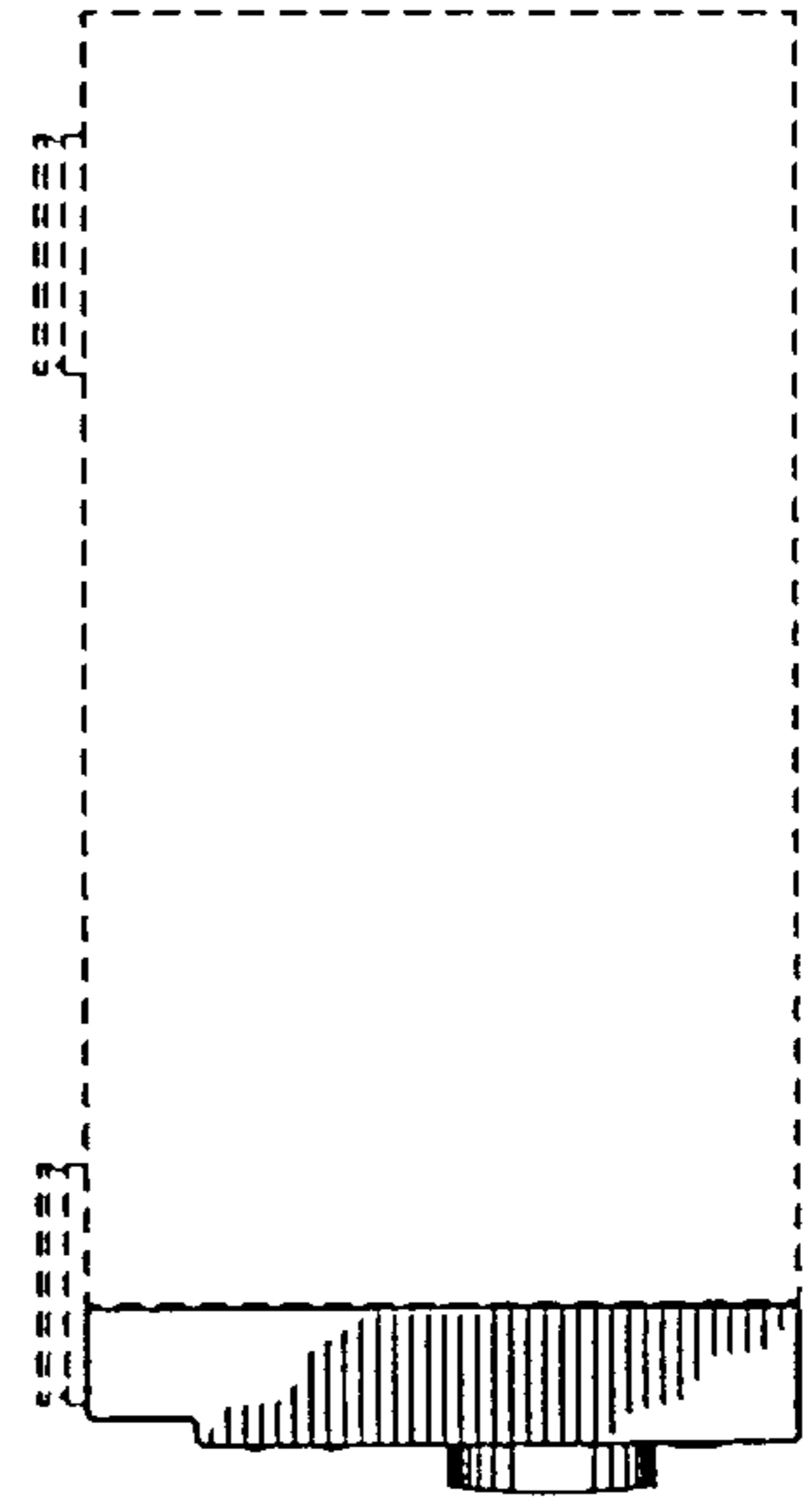


FIG. 7